



US00D442570S

(12) **United States Design Patent**  
**Arjomand et al.**

(10) **Patent No.:** **US D442,570 S**

(45) **Date of Patent:** **\*\* May 22, 2001**

(54) **DIGITAL MUSIC PLAYER**

(75) Inventors: **Hamid Arjomand**, Emeryville, CA  
(US); **Edward Boyd**, Tigard, OR (US)

(73) Assignee: **Nike, Inc.**, Beaverton, OR (US)

(\*\*) Term: **14 Years**

(21) Appl. No.: **29/130,009**

(22) Filed: **Sep. 25, 2000**

(51) **LOC (7) Cl.** ..... **14-01**

(52) **U.S. Cl.** ..... **D14/156; D14/160**

(58) **Field of Search** ..... D14/135, 136,  
D14/156, 157, 160, 167, 168; 369/75.1,  
75.2, 77.1, 77.2

- D. 421,752 3/2000 Zeitman .
- D. 421,753 3/2000 Ishii .
- D. 423,005 4/2000 Zeitman .
- D. 425,889 5/2000 Yuyama .
- D. 427,175 6/2000 Ishii .
- D. 427,578 7/2000 Kanatani .

\* cited by examiner

*Primary Examiner*—Nanda Bondade

(74) *Attorney, Agent, or Firm*—Traskbritt

(57) **CLAIM**

The ornamental design for a digital music player, as shown and described.

**DESCRIPTION**

FIG. 1 is a perspective view of a digital music player showing our new design;  
 FIG. 2 is a side view of the digital music player shown in FIG. 1;  
 FIG. 3 is another side view of the digital music player shown in FIG. 1;  
 FIG. 4 is a front view of the digital music player shown in FIG. 1;  
 FIG. 5 is a rear view of the digital music player shown in FIG. 1;  
 FIG. 6 is a top plan view of the digital music player shown in FIG. 1; and,  
 FIG. 7 is a bottom plan view of the digital music player shown in FIG. 1.

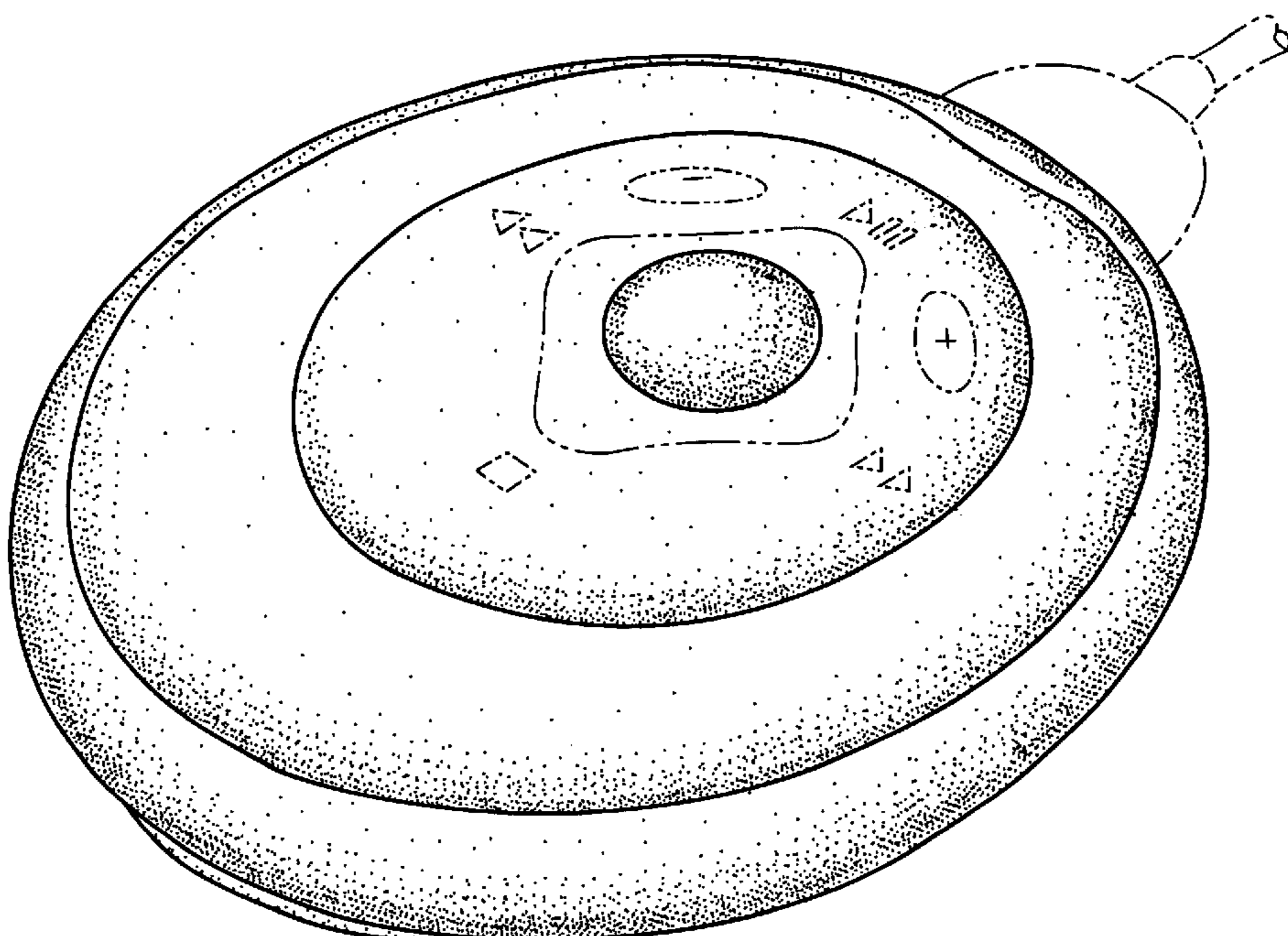
The broken lines showing portions of a digital music player in FIGS. 1–7 are for illustrative purposes only and form no part of the claimed design.

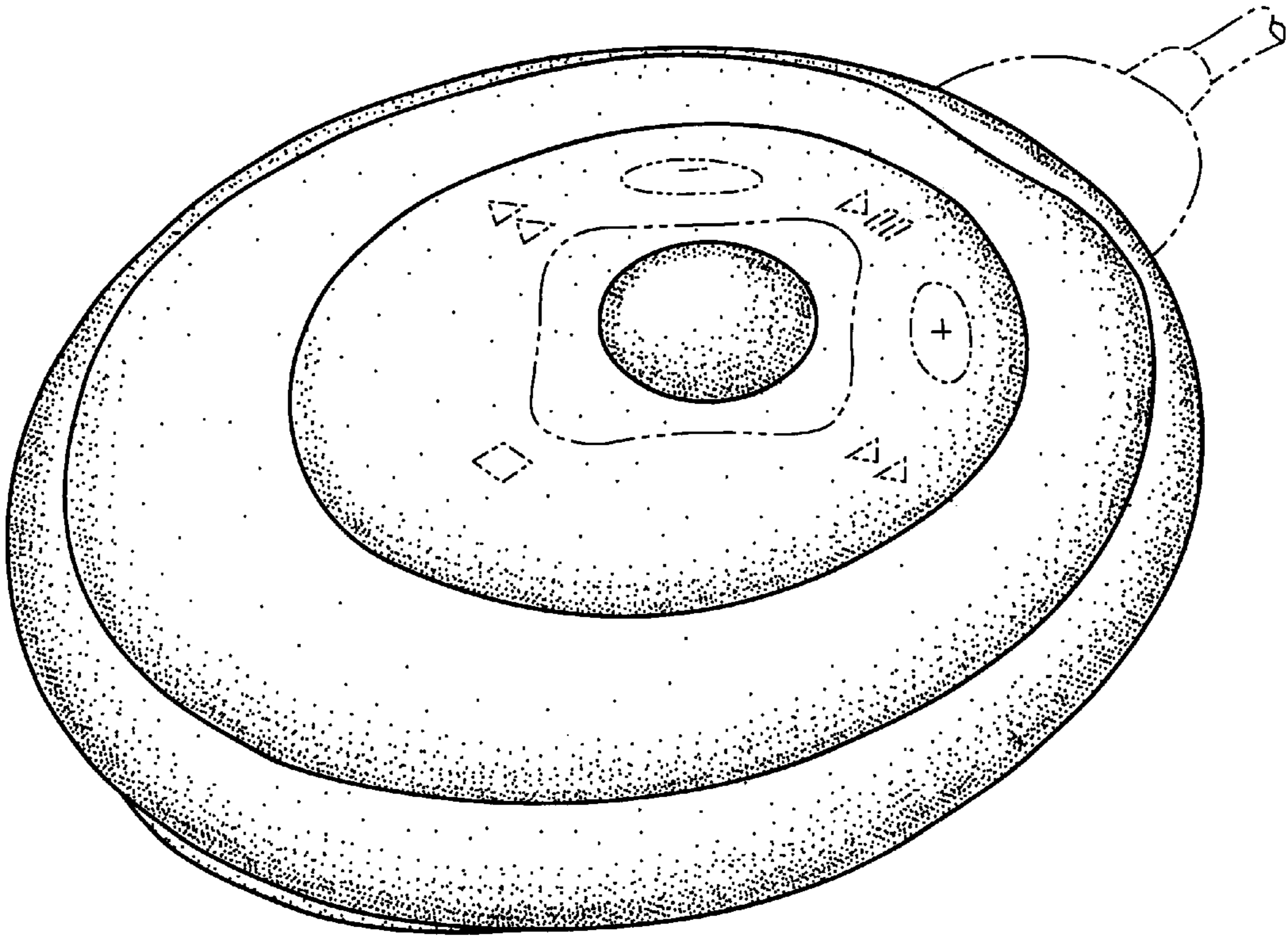
(56) **References Cited**

**U.S. PATENT DOCUMENTS**

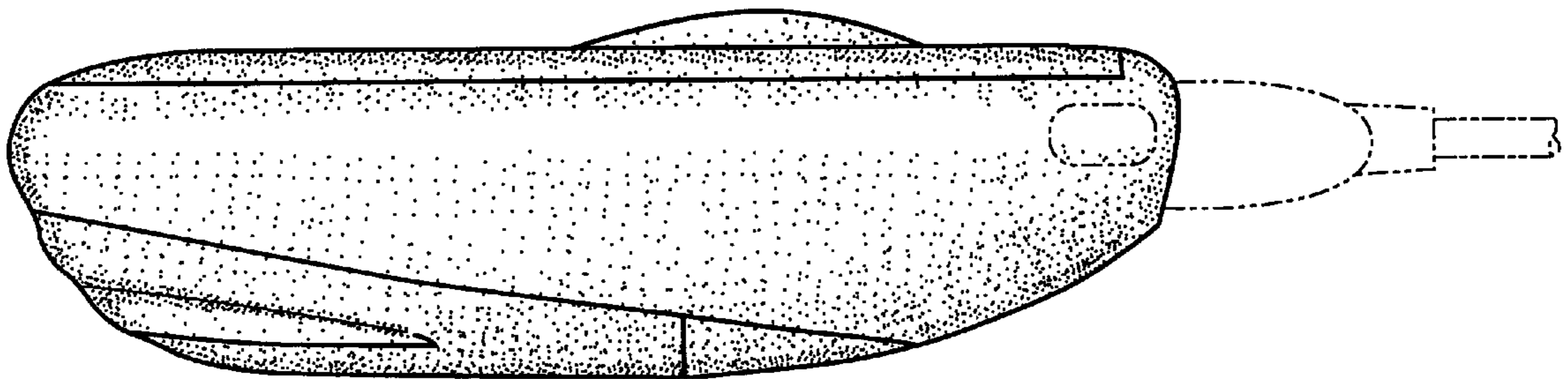
- D. 351,168 10/1994 Sumikawa .
- D. 367,055 2/1996 Isonaga .
- D. 371,362 7/1996 Deguchi .
- D. 377,490 1/1997 Zeitman .
- D. 383,752 9/1997 Matsuzaka .
- D. 393,465 4/1998 Chan .
- D. 399,506 \* 10/1998 Takahashi et al. .... D14/156
- D. 399,843 10/1998 Masamitsu .
- D. 400,876 11/1998 Masamitsu .
- D. 406,264 3/1999 Zeitman .
- D. 408,407 4/1999 Ito et al. .
- D. 409,191 5/1999 Masamitsu .
- D. 409,606 5/1999 Syudo .
- D. 409,608 5/1999 Masamitsu .
- D. 411,593 6/1999 Wohl et al. .
- D. 416,897 11/1999 Ishii et al. .

**1 Claim, 3 Drawing Sheets**

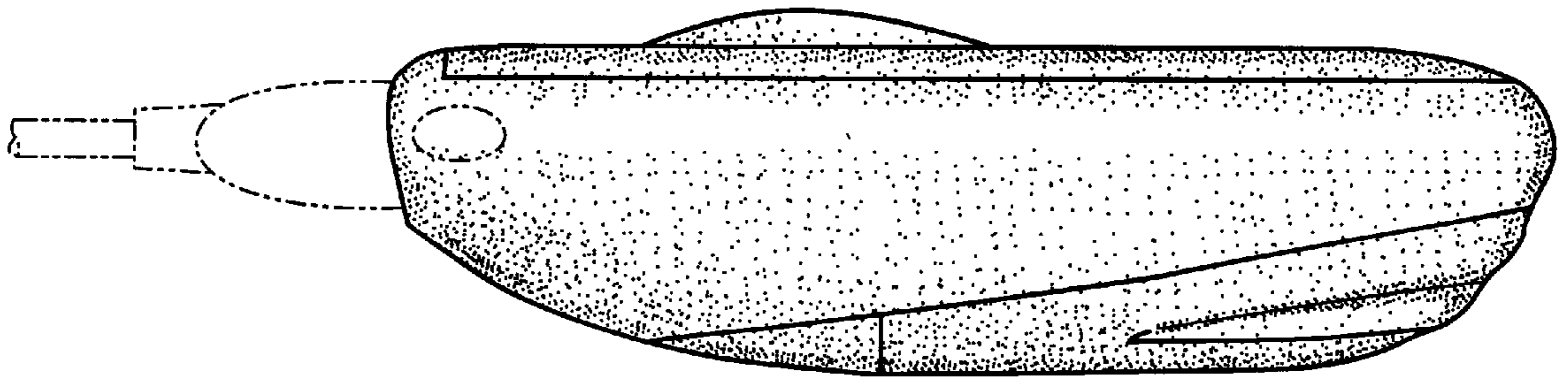




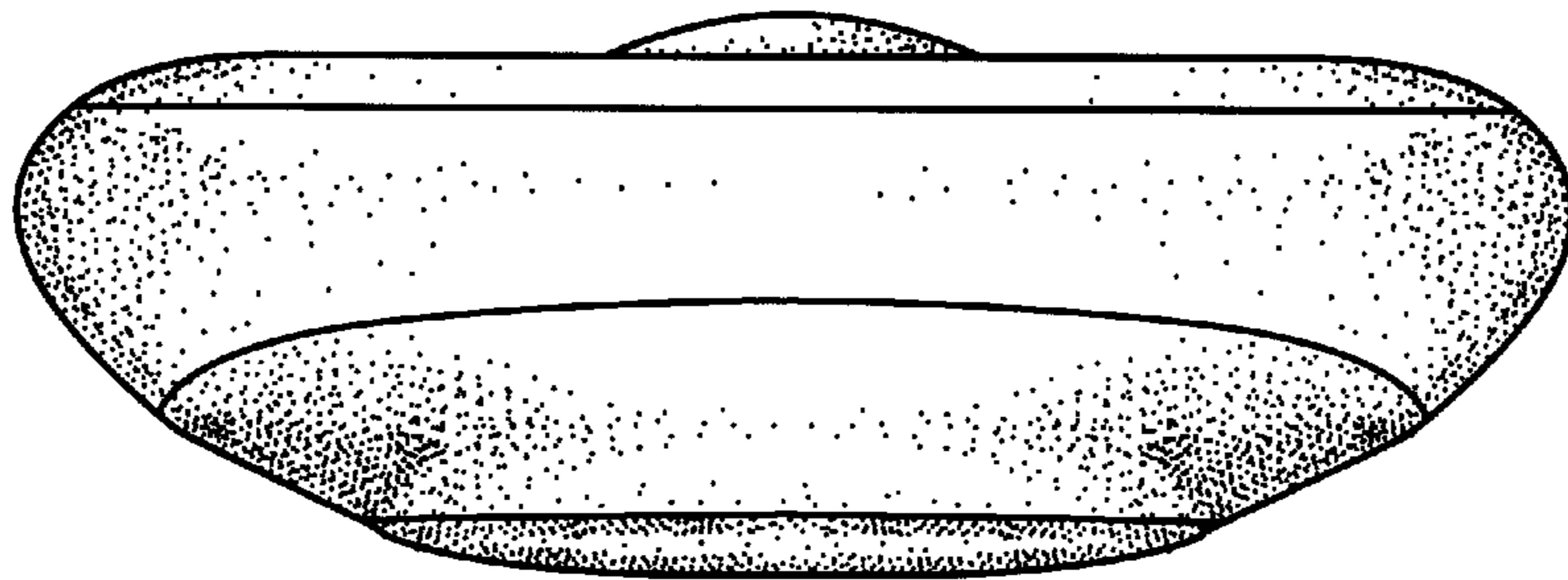
**Fig. 1**



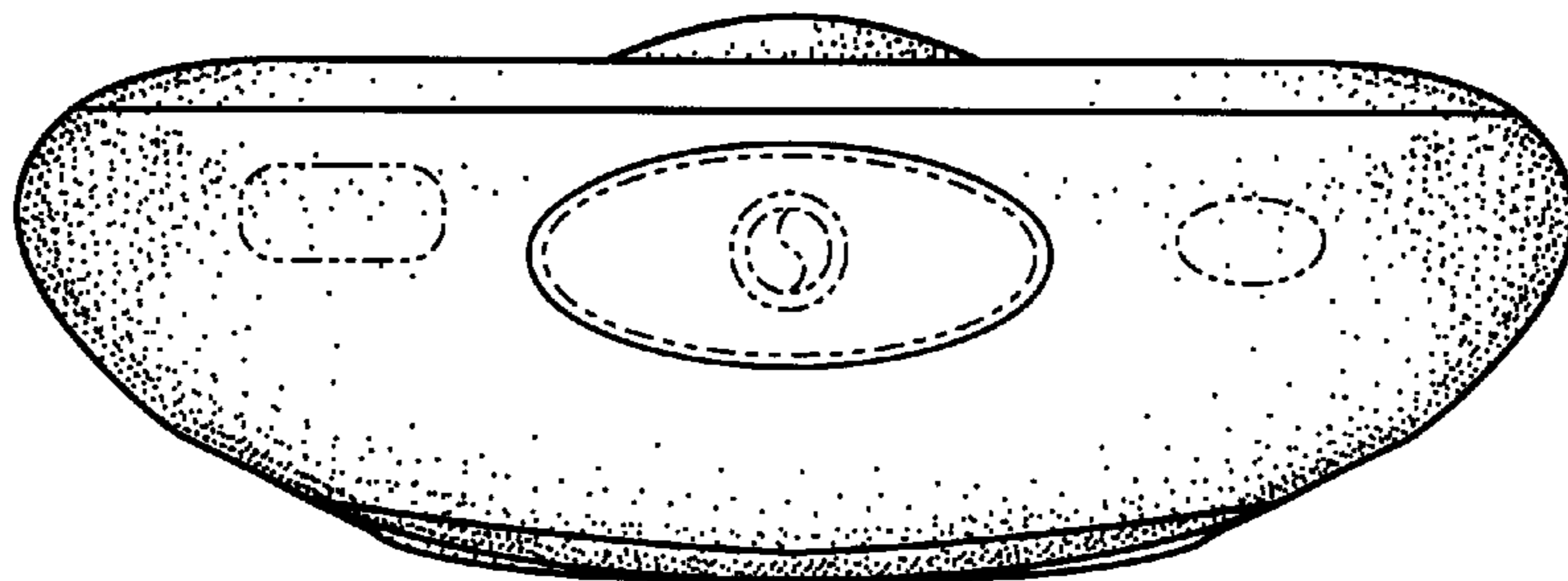
**Fig. 2**



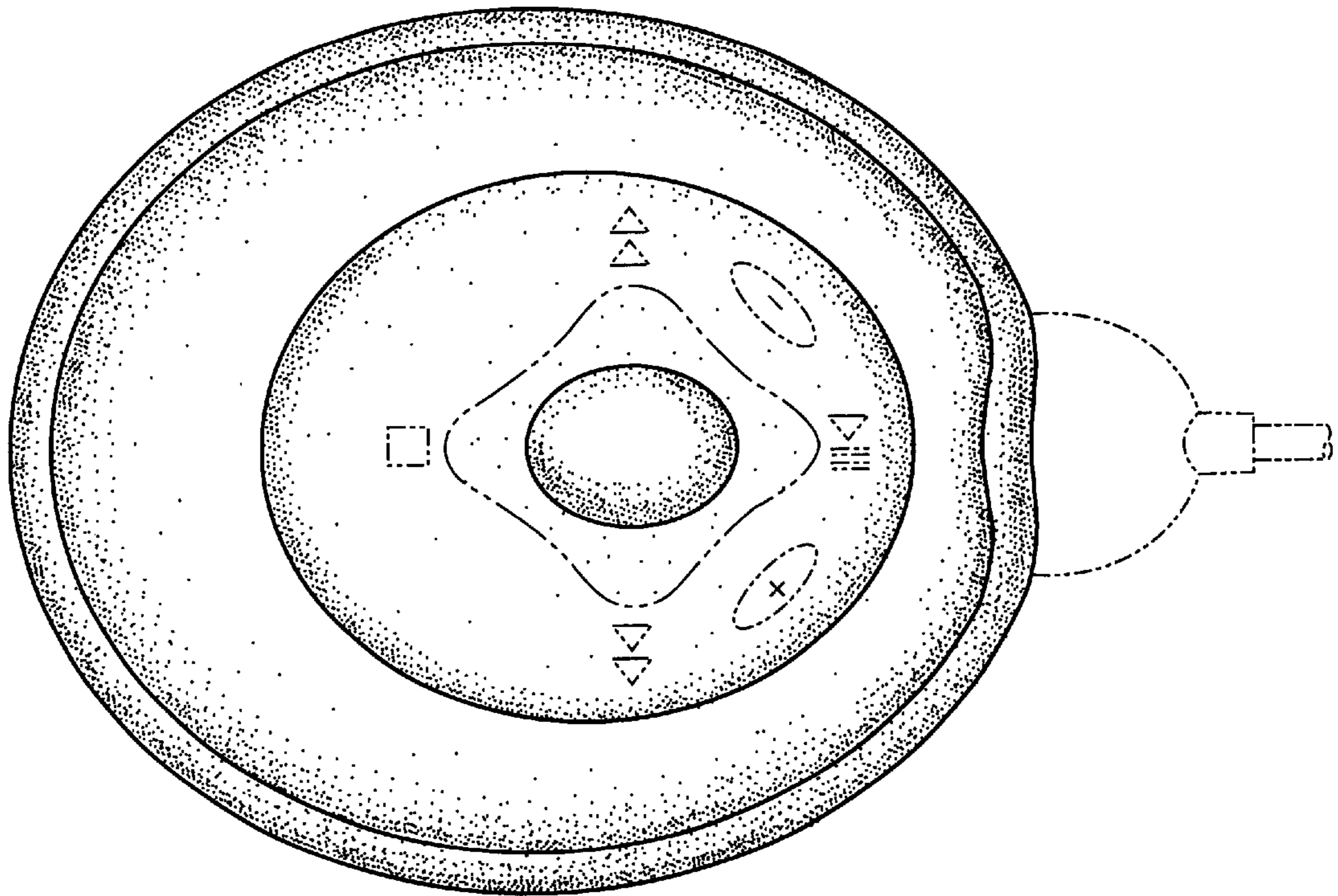
**Fig. 3**



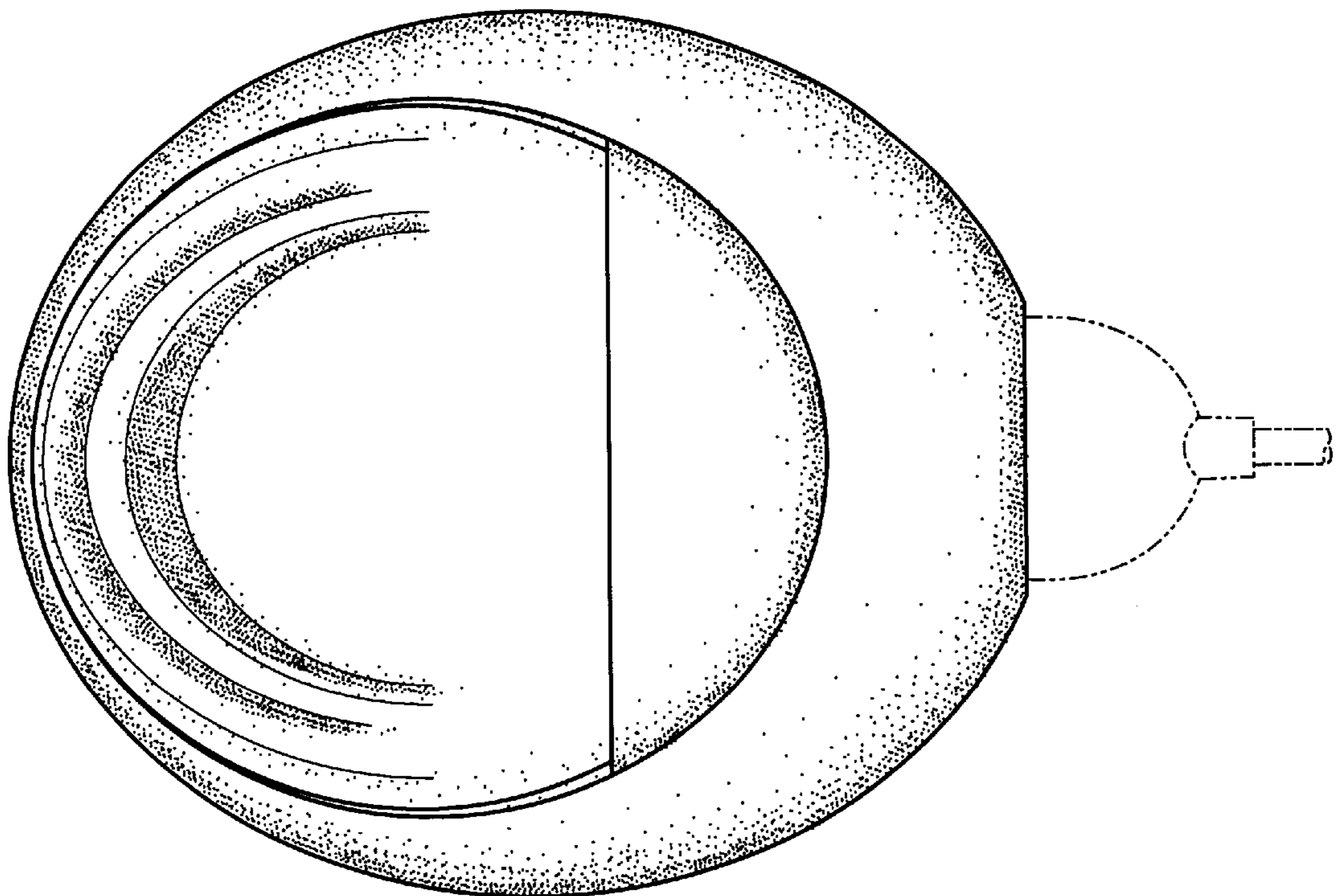
**Fig. 4**



**Fig. 5**



**Fig. 6**



**Fig. 7**