



US00D442563S

(12) **United States Design Patent**
Fayfield

(10) **Patent No.:** **US D442,563 S**
(45) **Date of Patent:** **** May 22, 2001**

(54) **HOUSING FOR PHOTOELECTRIC CONTROL**

Primary Examiner—Brian N. Vinson
(74) *Attorney, Agent, or Firm*—Merchant & Gould P.C.

(75) **Inventor:** **Robert W. Fayfield**, Excelsior, MN (US)

(57) **CLAIM**

The ornamental design for housing for photoelectric control, as shown and described.

(73) **Assignee:** **Banner Engineering Corp.**, Minneapolis, MN (US)

(**) **Term:** **14 Years**

DESCRIPTION

(21) **Appl. No.:** **29/120,863**

FIG. 1 is a front perspective view of a housing for photoelectric control embodying my new design;

(22) **Filed:** **Mar. 28, 2000**

FIG. 2 is a rear perspective view of the housing for photoelectric control depicted in FIG. 1;

(51) **LOC (7) Cl.** **13-03**

(52) **U.S. Cl.** **D13/165**

FIG. 3 is a front elevational view of the housing for photoelectric control depicted in FIG. 1;

(58) **Field of Search** D13/165; D10/106; 250/221.1, 222.1, 206, 239

FIG. 4 is a rear elevational view of the housing for photoelectric control depicted in FIG. 1;

(56) **References Cited**

U.S. PATENT DOCUMENTS

D. 278,318	*	4/1985	Levin et al.	D10/106
D. 401,563	*	11/1998	Police	D13/165
D. 401,910	*	12/1998	Fooks et al.	D13/165
D. 412,316		7/1999	Fayfield .		
5,347,117	*	9/1994	Fooks et al.	250/221

FIG. 5 is a side elevational view of the housing for photoelectric control depicted in FIG. 1;

FIG. 6 is the other side elevational view of the housing for photoelectric control depicted in FIG. 1;

OTHER PUBLICATIONS

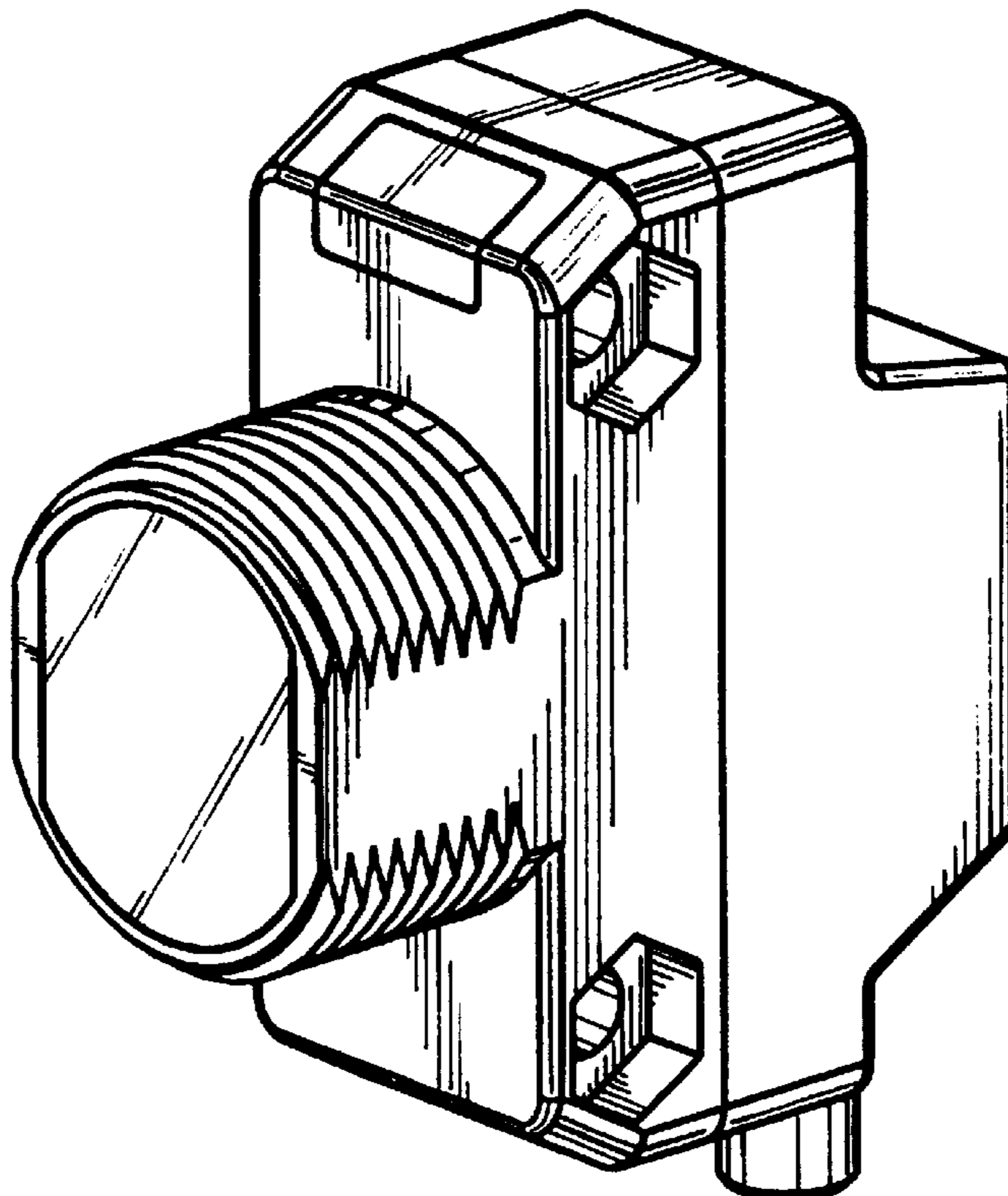
Catalog entitled "Photoelectric Sensors", *Banner®*, 81 pgs. (1999–2000).

FIG. 7 is a top plan view of the housing for photoelectric control depicted in FIG. 1; and,

FIG. 8 is a bottom plan view of the housing for photoelectric control depicted in FIG. 1.

* cited by examiner

1 Claim, 8 Drawing Sheets



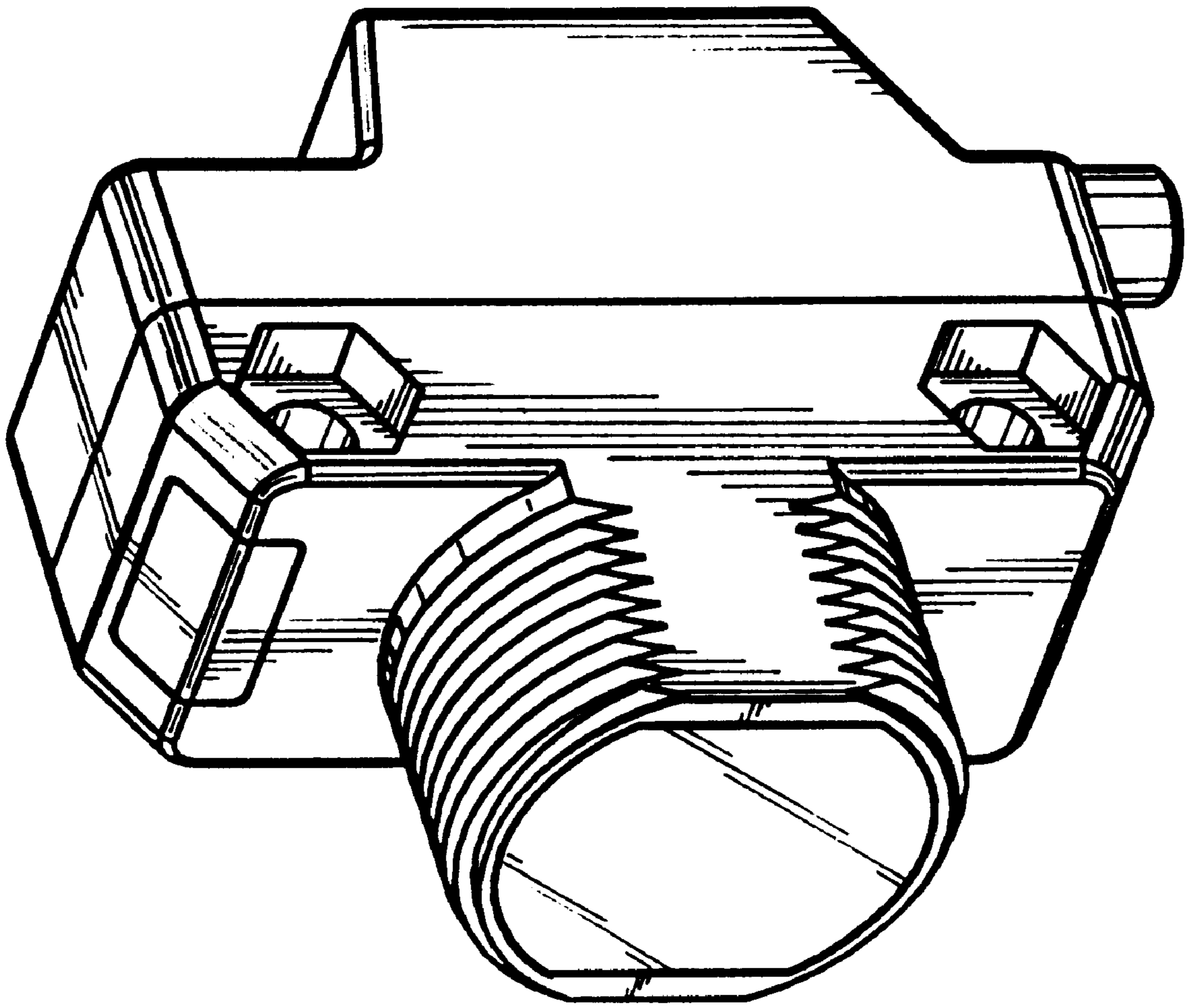


FIG. 1

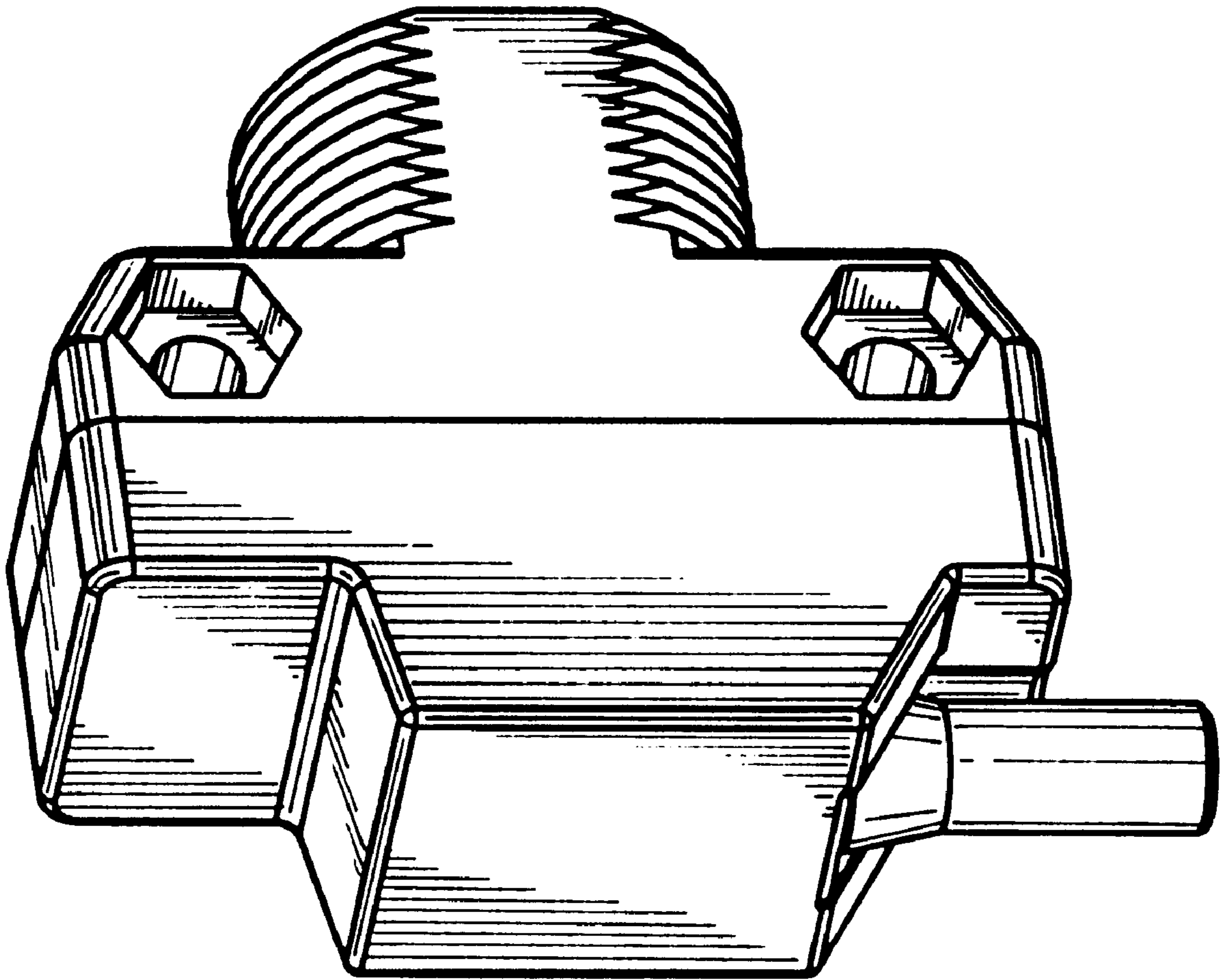


FIG. 2

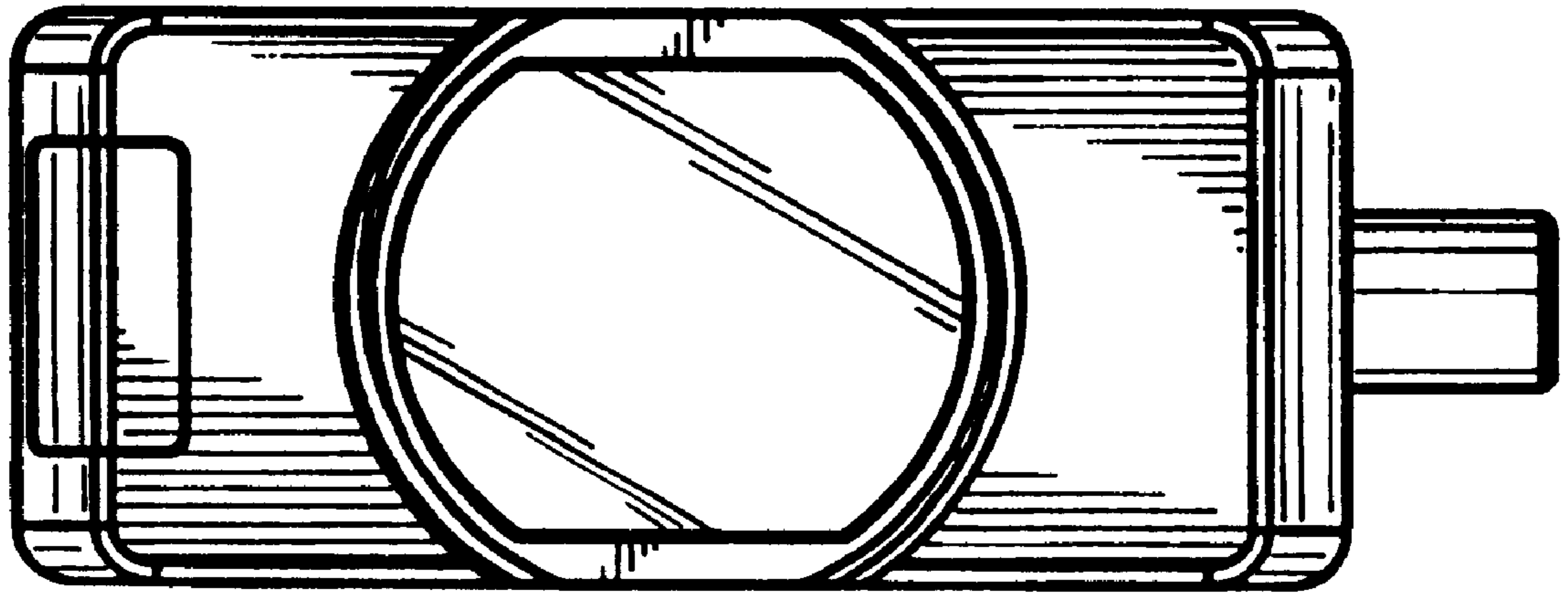


FIG. 3

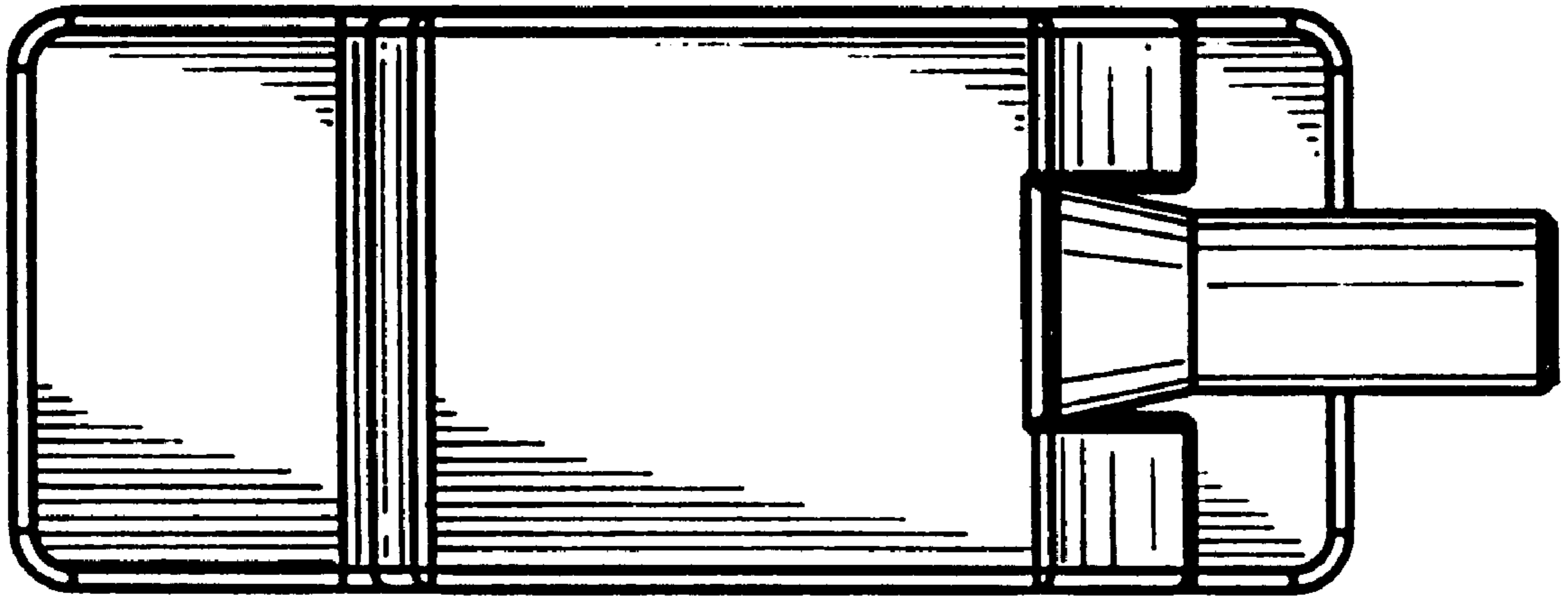


FIG. 4

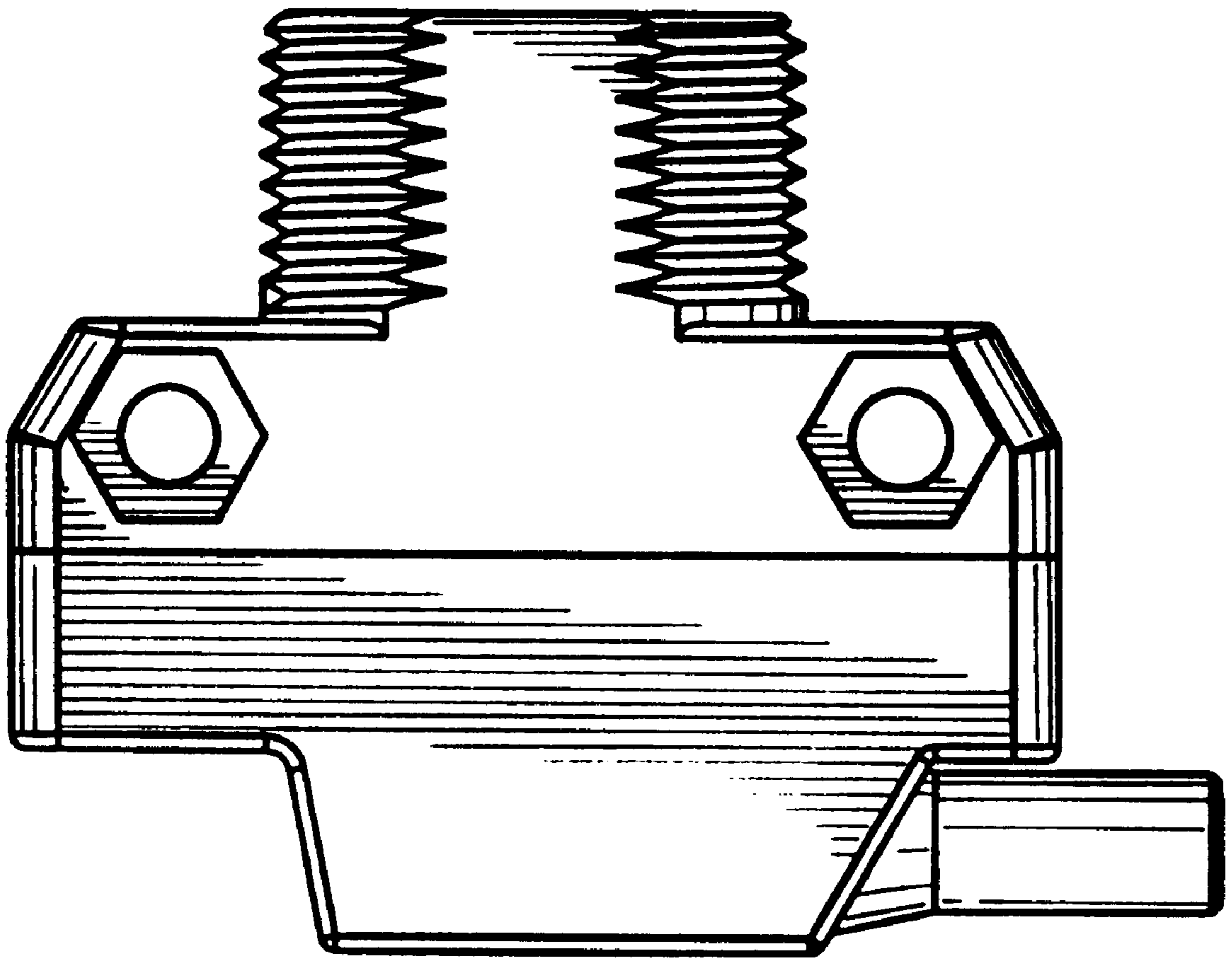


FIG. 5

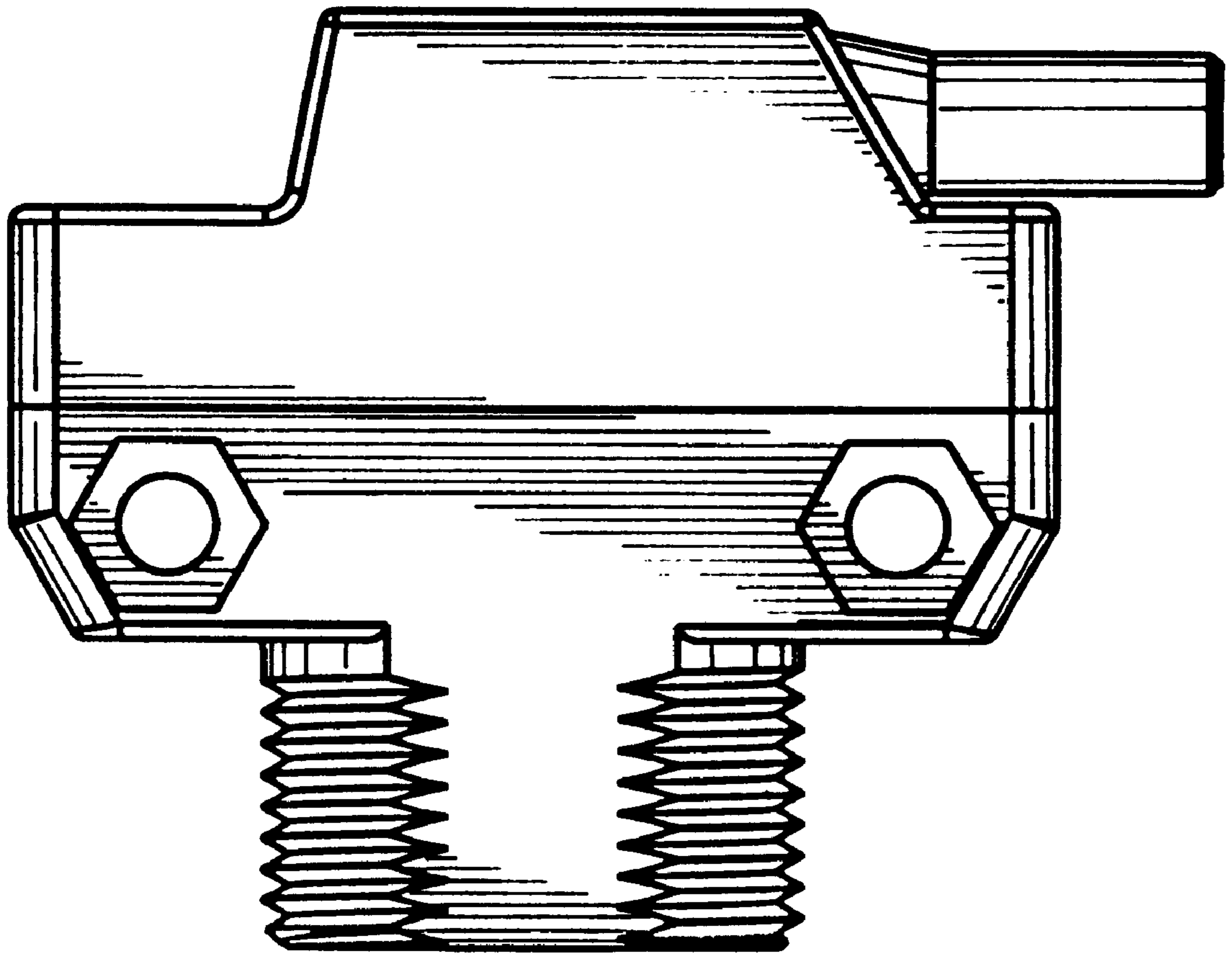


FIG. 6

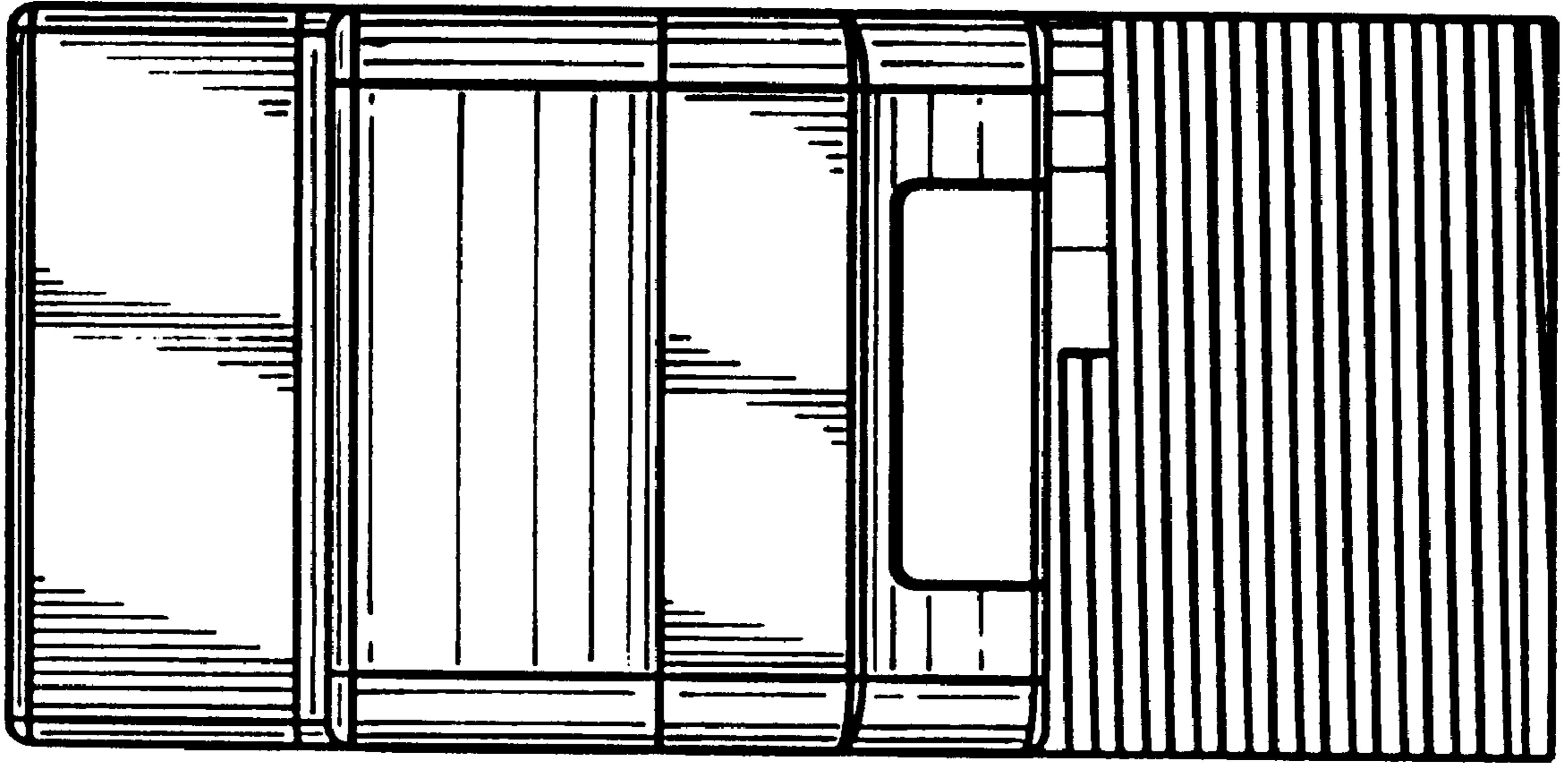


FIG. 7

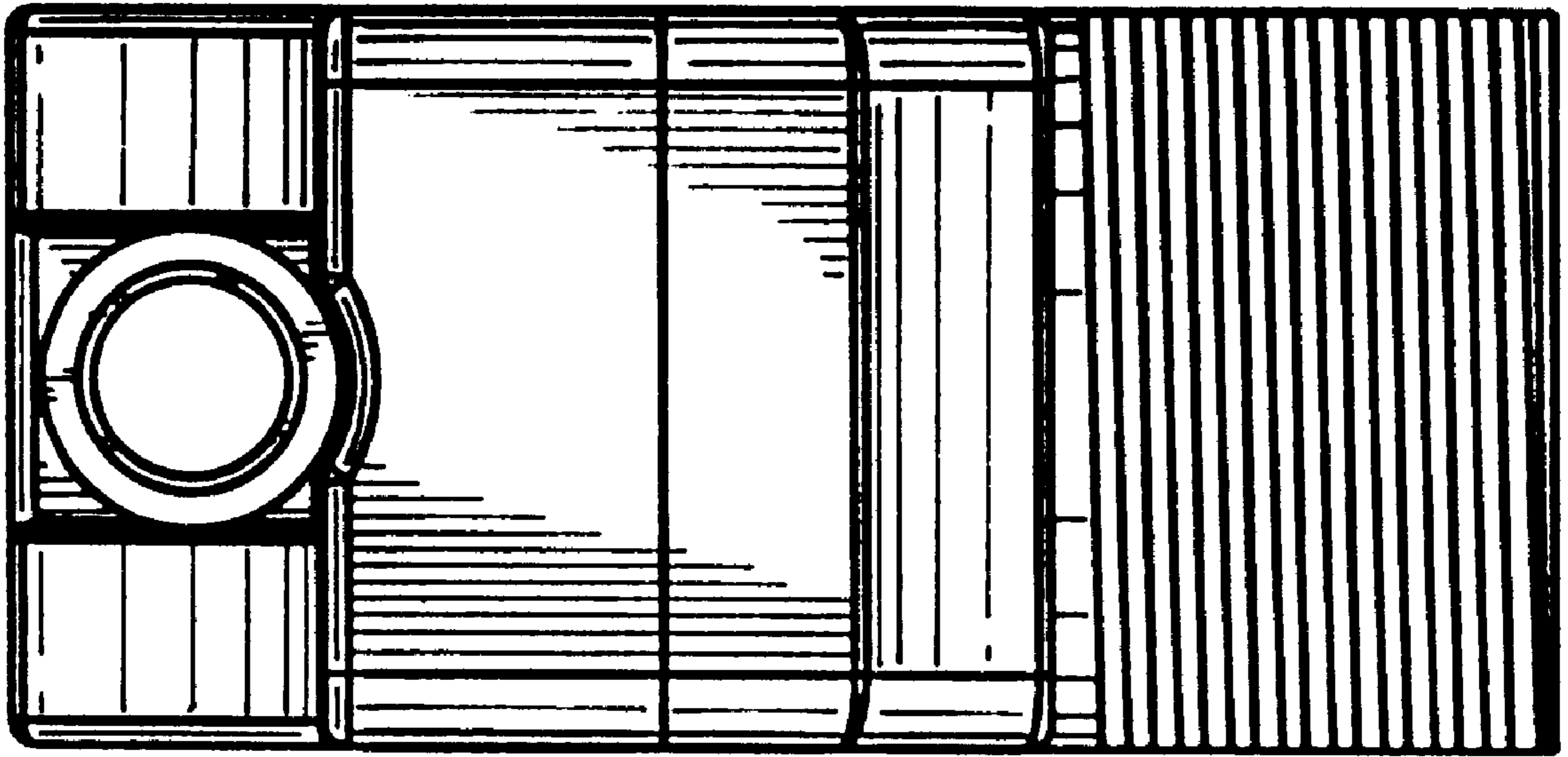


FIG. 8