



US00D442562S

(12) **United States Design Patent**
Yeh

(10) **Patent No.:** **US D442,562 S**

(45) **Date of Patent:** **** May 22, 2001**

(54) **SWITCH PANEL**

D. 413,593 * 9/1999 Suzuki et al. D13/184 X

(76) **Inventor:** **Neng-Chen Yeh**, No. 10, Lane 808,
Chung Shan Road, Shinhua Chen,
Tainan Hsien (TW)

* cited by examiner

Primary Examiner—Brian N. Vinson

(74) *Attorney, Agent, or Firm*—Rosenberg, Klein & Lee

(**) **Term:** **14 Years**

(57) **CLAIM**

(21) **Appl. No.:** **29/131,586**

The ornamental design for a switch panel, as shown and described.

(22) **Filed:** **Oct. 24, 2000**

DESCRIPTION

(51) **LOC (7) Cl.** **13-03**

(52) **U.S. Cl.** **D13/164; D13/162**

(58) **Field of Search** D13/158, 162,
D13/163, 164, 173, 174, 184; 200/5 R,
5 A, 42.01, 52 R, 237, 293

FIG. 1 is a front perspective view of a switch panel showing my new design;

FIG. 2 is a rear perspective view thereof;

FIG. 3 is a front elevational view thereof;

FIG. 4 is a rear elevational view thereof;

FIG. 5 is a left side elevational view thereof;

FIG. 6 is a right side elevational view thereof;

FIG. 7 is a top plan view thereof; and,

FIG. 8 is a bottom plan view thereof.

(56) **References Cited**

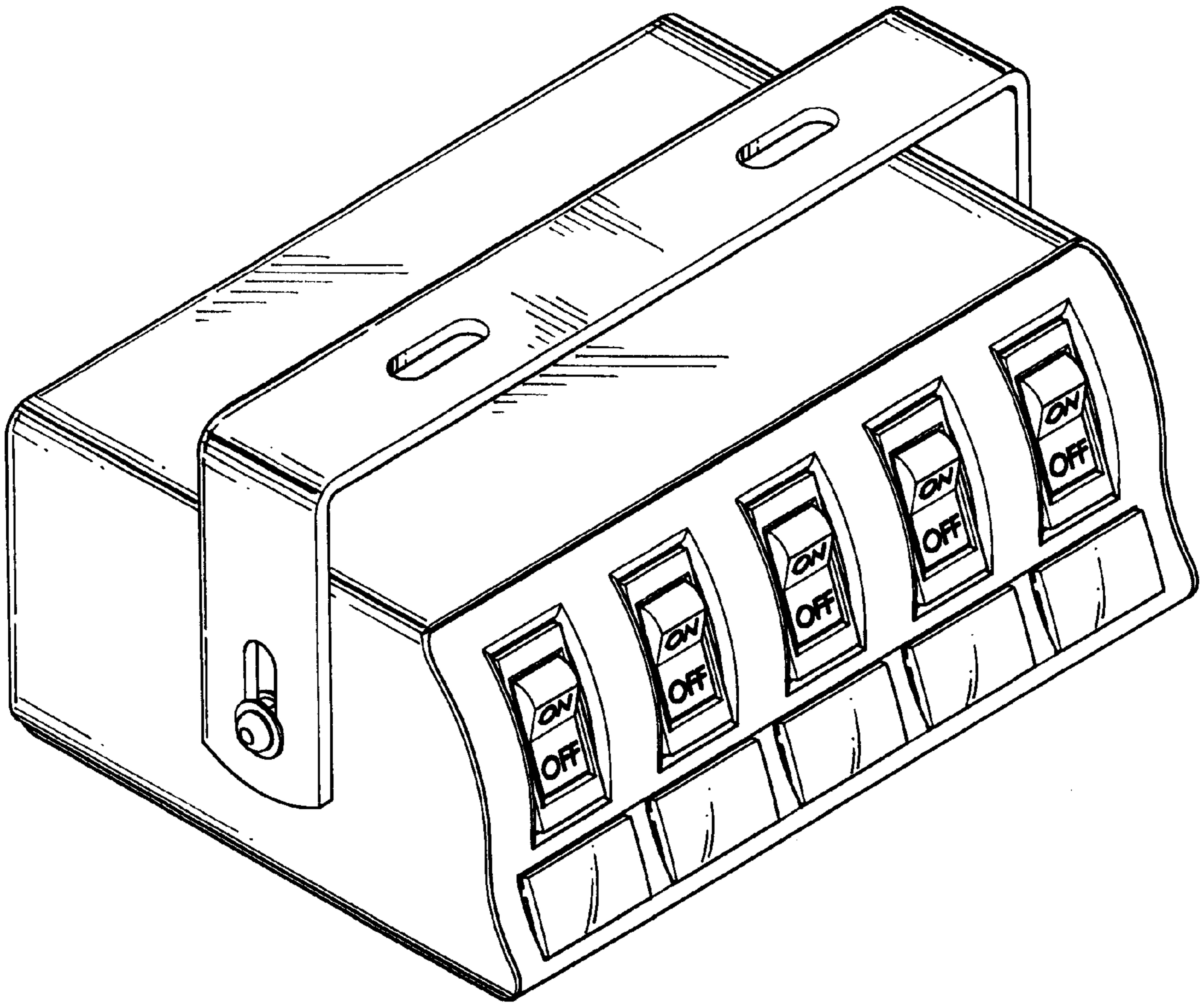
U.S. PATENT DOCUMENTS

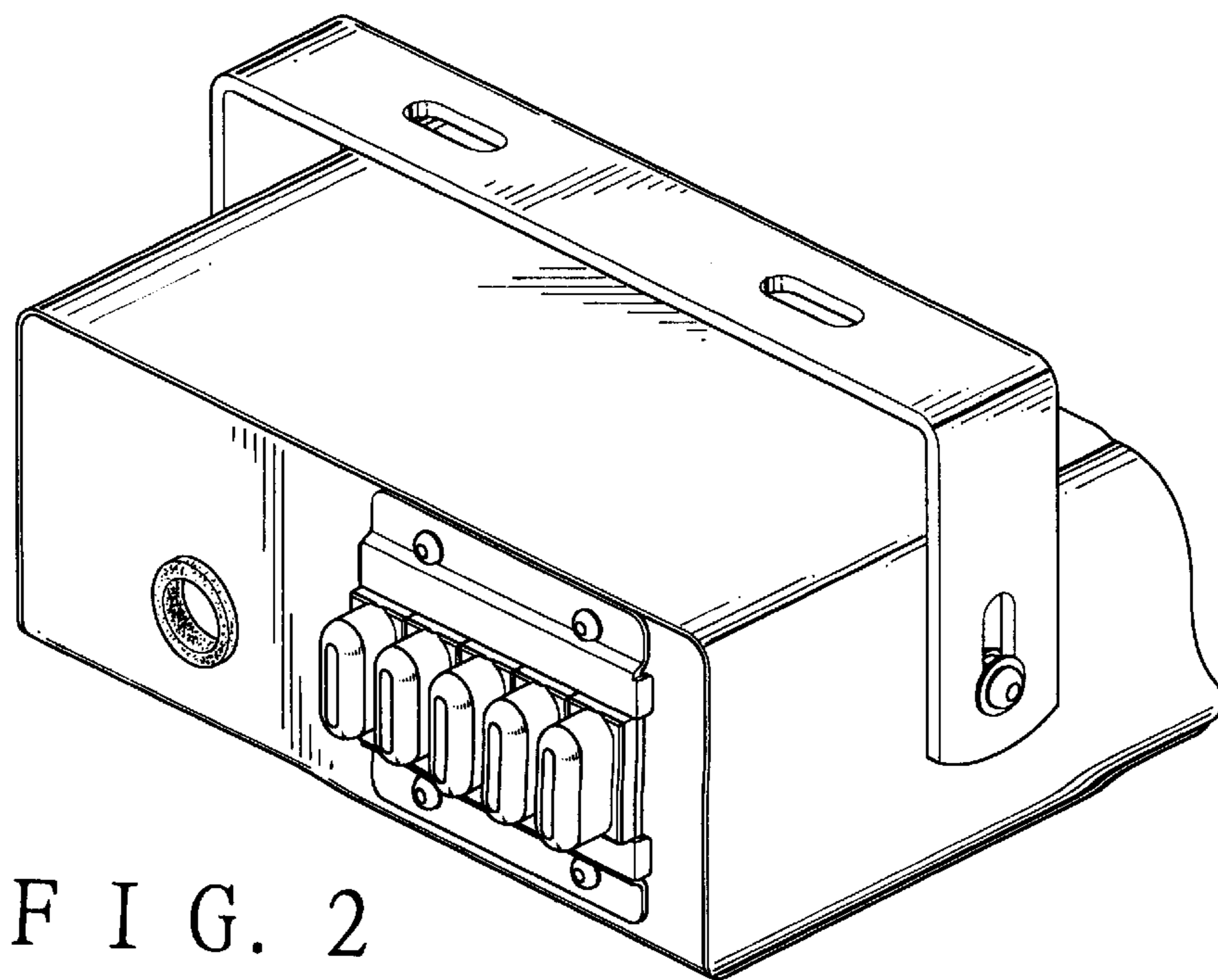
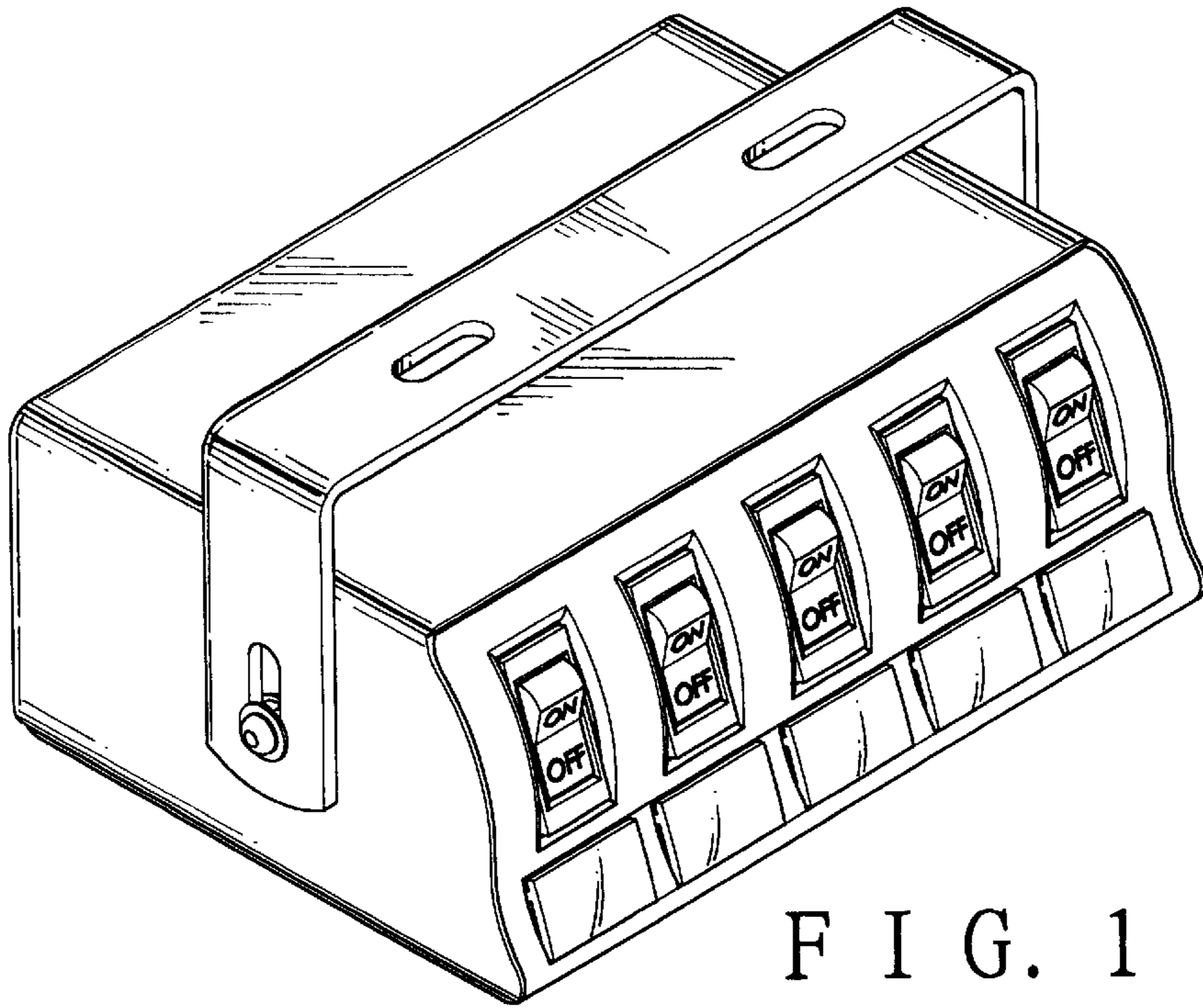
D. 327,061 * 6/1992 Soren et al. D13/164 X

D. 363,741 * 10/1995 Leff et al. D13/162 X

D. 398,587 * 9/1998 Pratt D13/164

1 Claim, 4 Drawing Sheets





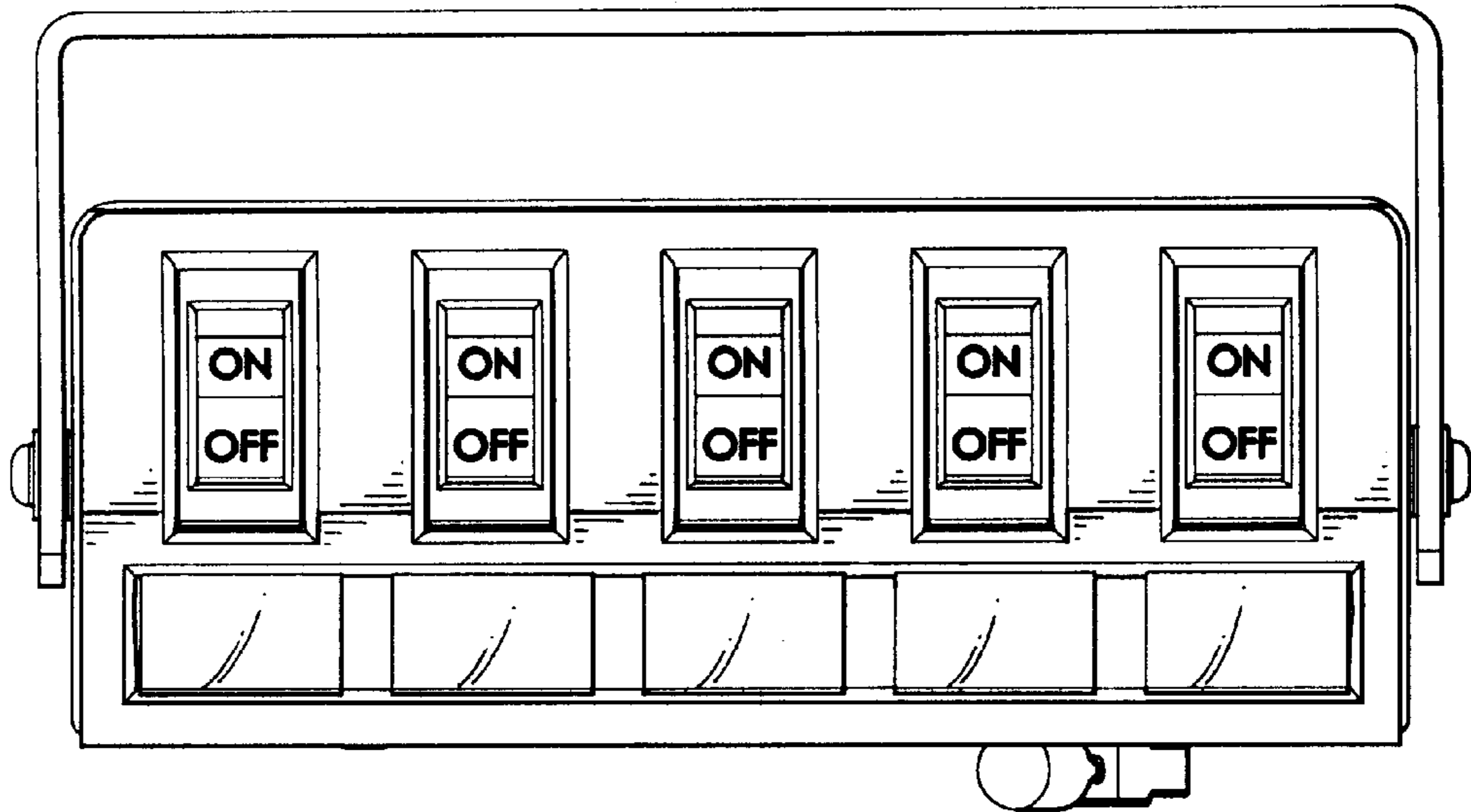


FIG. 3

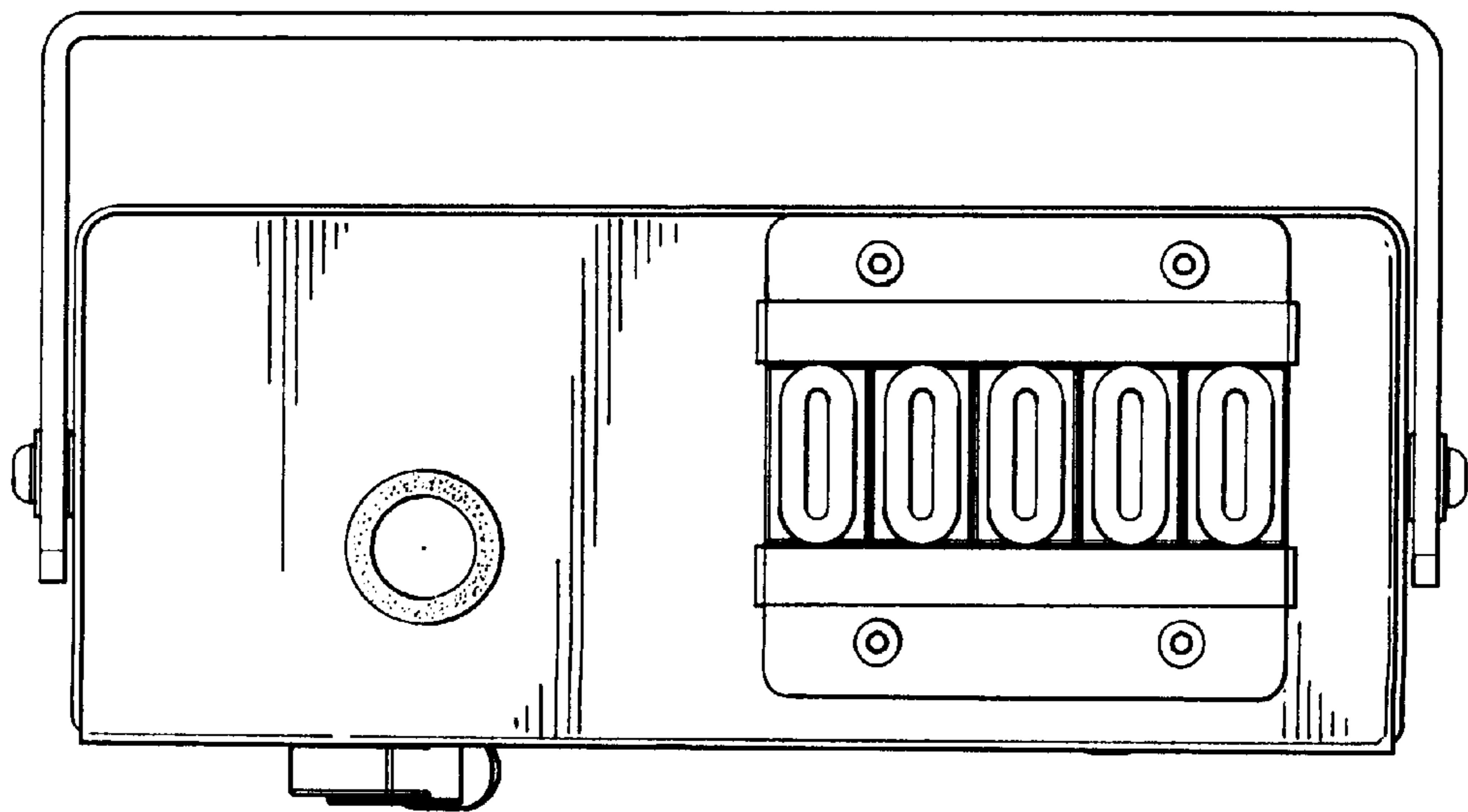


FIG. 4

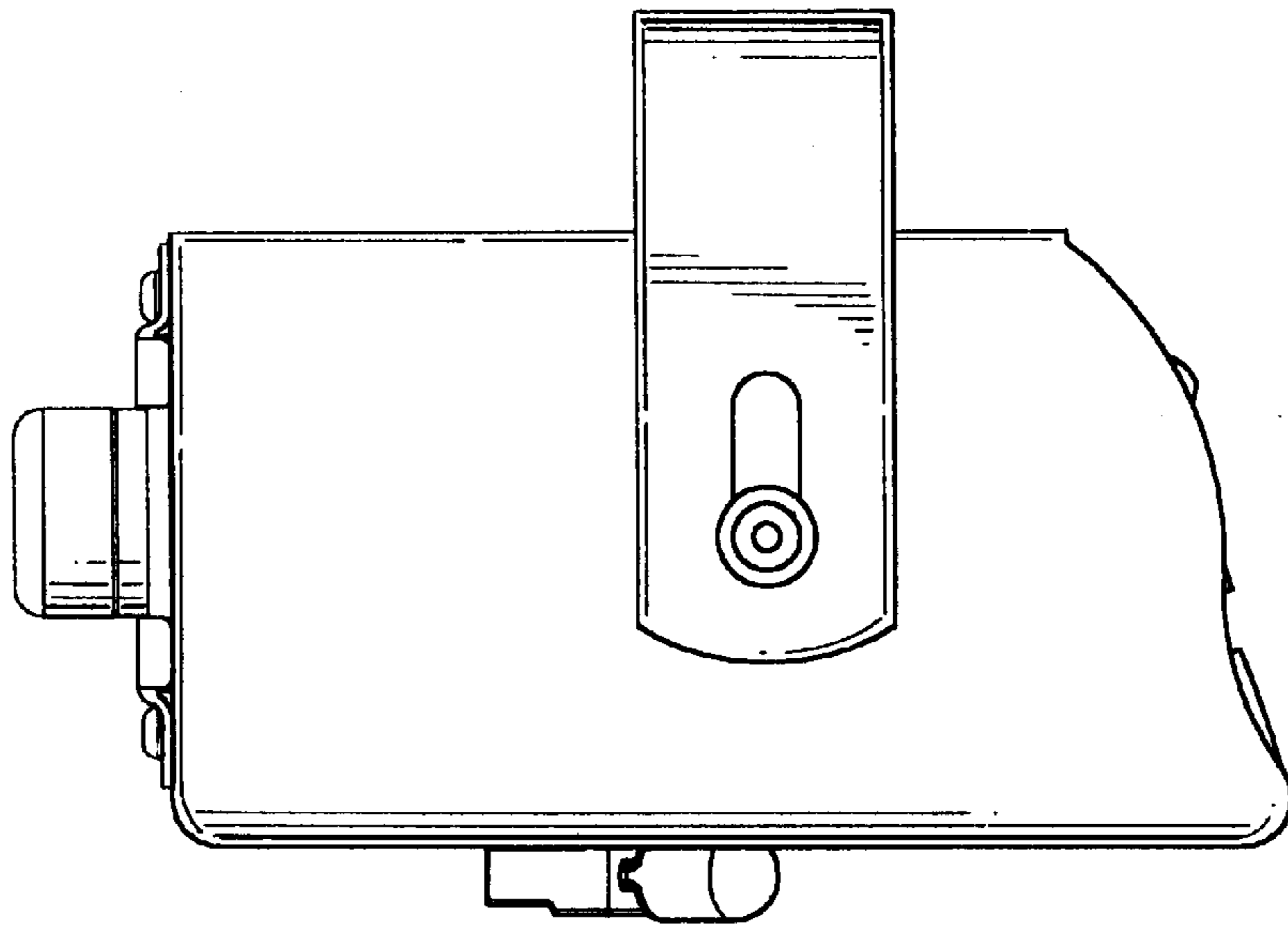


FIG. 5

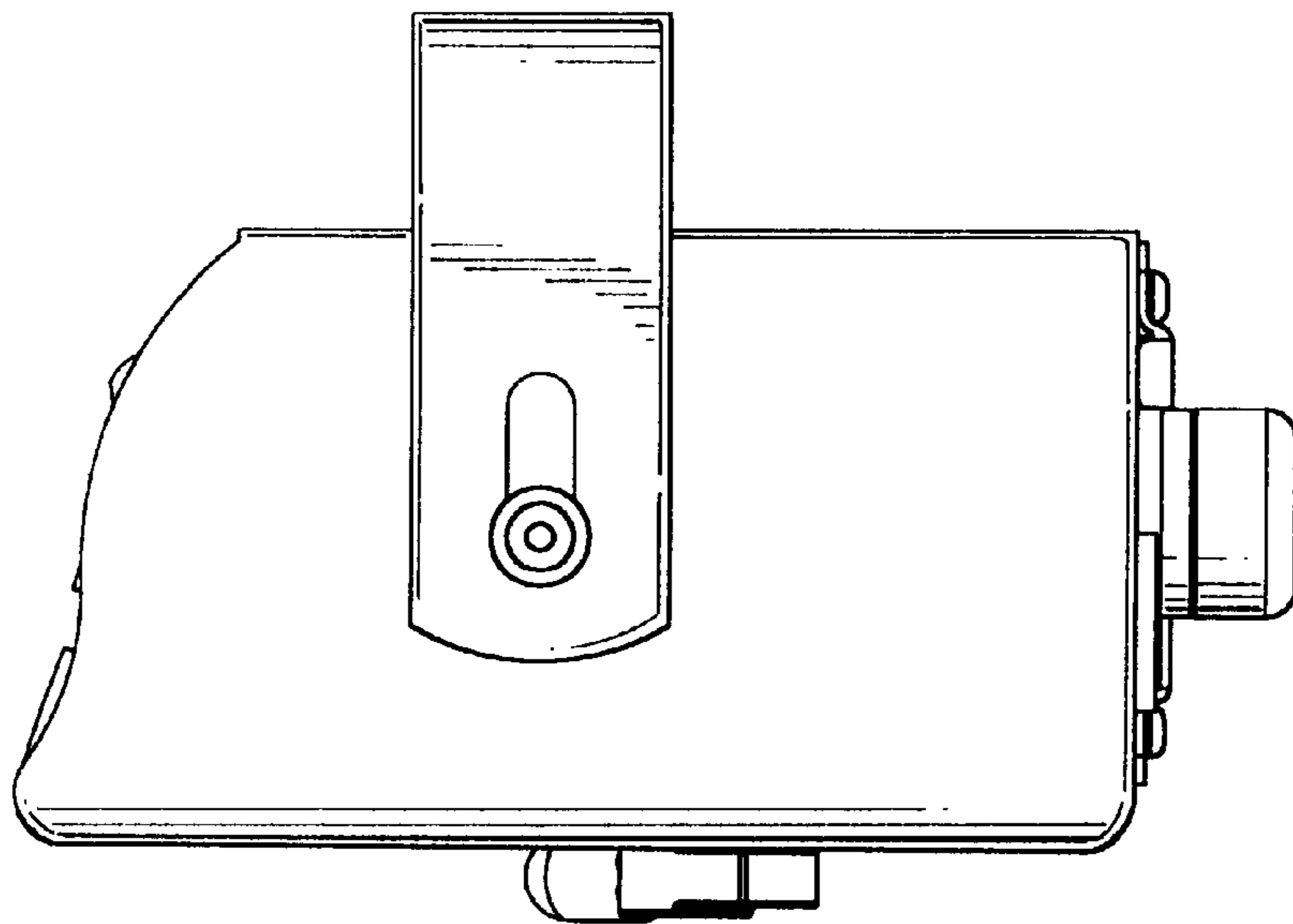
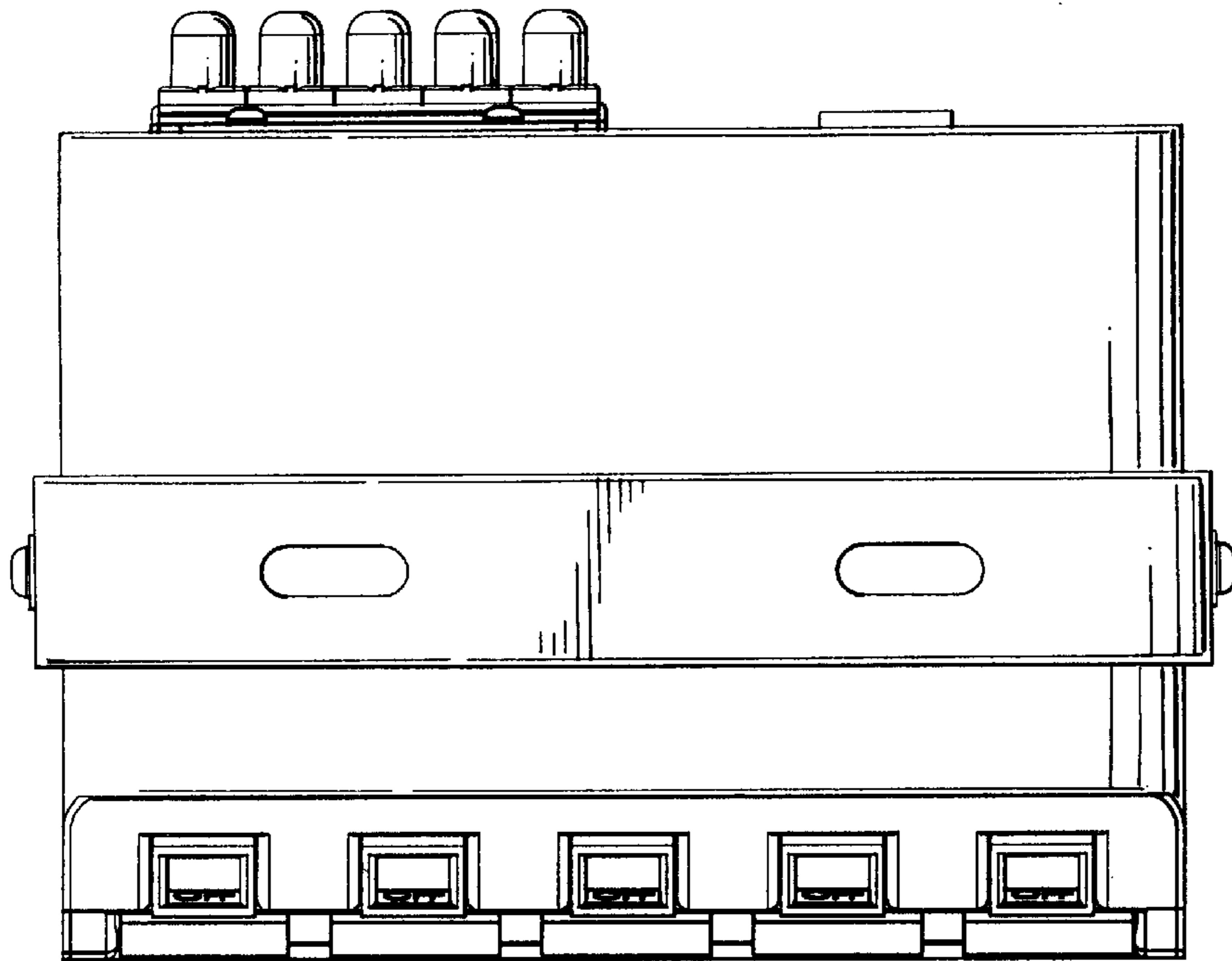
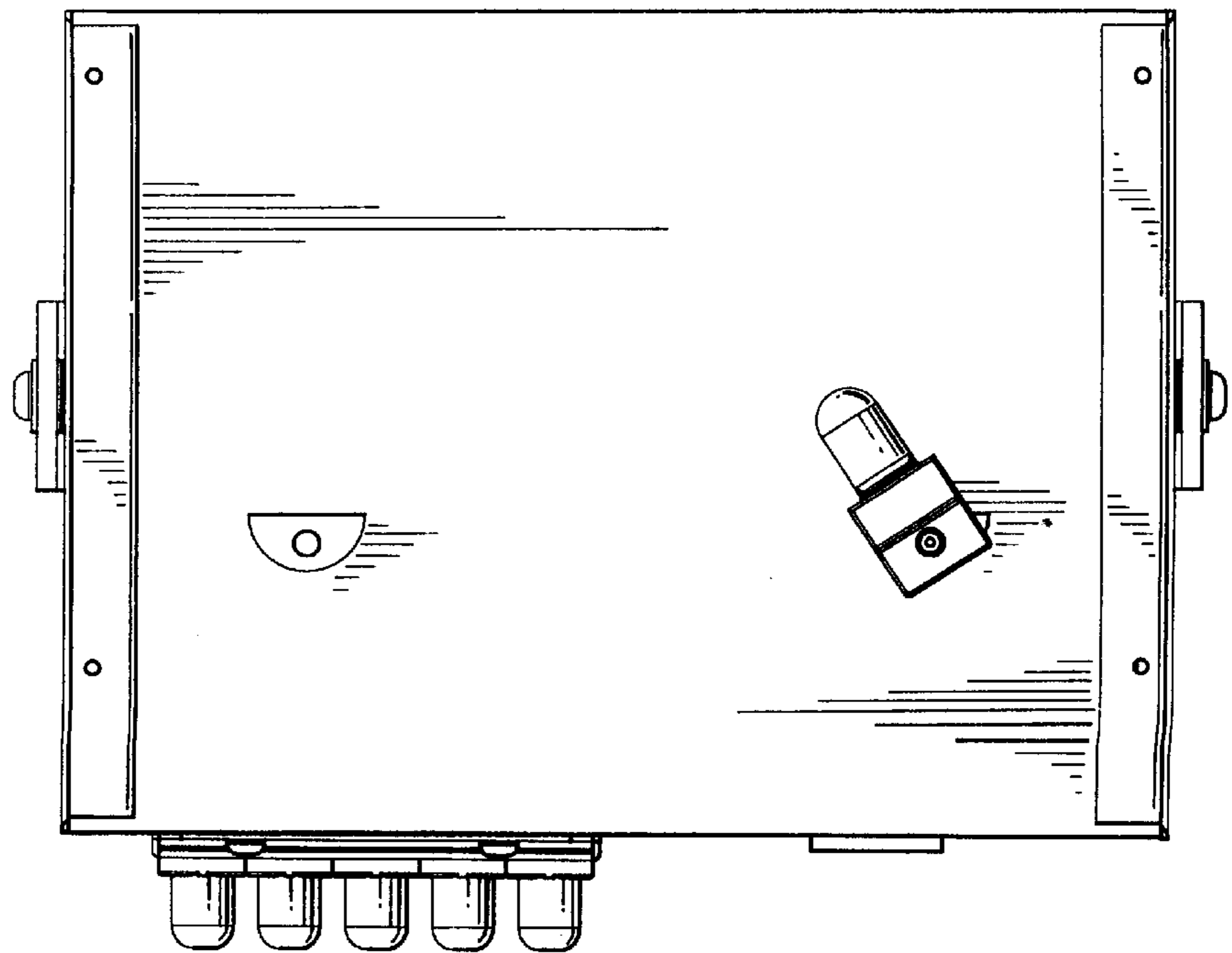


FIG. 6



F I G . 7



F I G . 8