



US00D442561S

(12) **United States Design Patent**  
**Camarota et al.**

(10) **Patent No.:** **US D442,561 S**

(45) **Date of Patent:** **\*\* May 22, 2001**

(54) **ELECTRIC POWER DIRECTOR PANEL**

\* cited by examiner

(76) Inventors: **Richard J. Camarota**, 424 Graafschap Rd., Holland, MI (US) 49423; **Richard Hartmann**, 3333 Moraine Dr., Brighton, MI (US) 48114; **Gary Alsobrook**, Metcalf Rd., Shelby, NC (US) 28150

*Primary Examiner*—Brian N. Vinson  
(74) *Attorney, Agent, or Firm*—Flynn, Thiel, Boutell & Tanis, P.C.

(\*\*) Term: **14 Years**

(57) **CLAIM**

The ornamental design of an electric power director panel, as shown and described.

(21) Appl. No.: **29/122,394**

**DESCRIPTION**

(22) Filed: **Apr. 24, 2000**

(51) **LOC (7) Cl.** ..... **13-03**

(52) **U.S. Cl.** ..... **D13/164; D13/162**

(58) **Field of Search** ..... D13/158, 162, D13/163, 164, 173, 174, 184; 200/5 R, 5 A, 42.01, 52 R, 237, 293

FIG. 1 is a pictorial view of an electric power director panel showing our design;

FIG. 2 is a top view thereof;

FIG. 3 is a bottom view thereof;

FIG. 4 is a front elevational view thereof;

FIG. 5 is a rear elevational view thereof; and,

FIG. 6 is an enlarged right side elevational view thereof, partially broken at the bottom to show the downward and rearward opening recess of FIGS. 3 and 5, the left side elevational view of the electric power director panel being a mirror image of FIG. 6.

(56) **References Cited**

**U.S. PATENT DOCUMENTS**

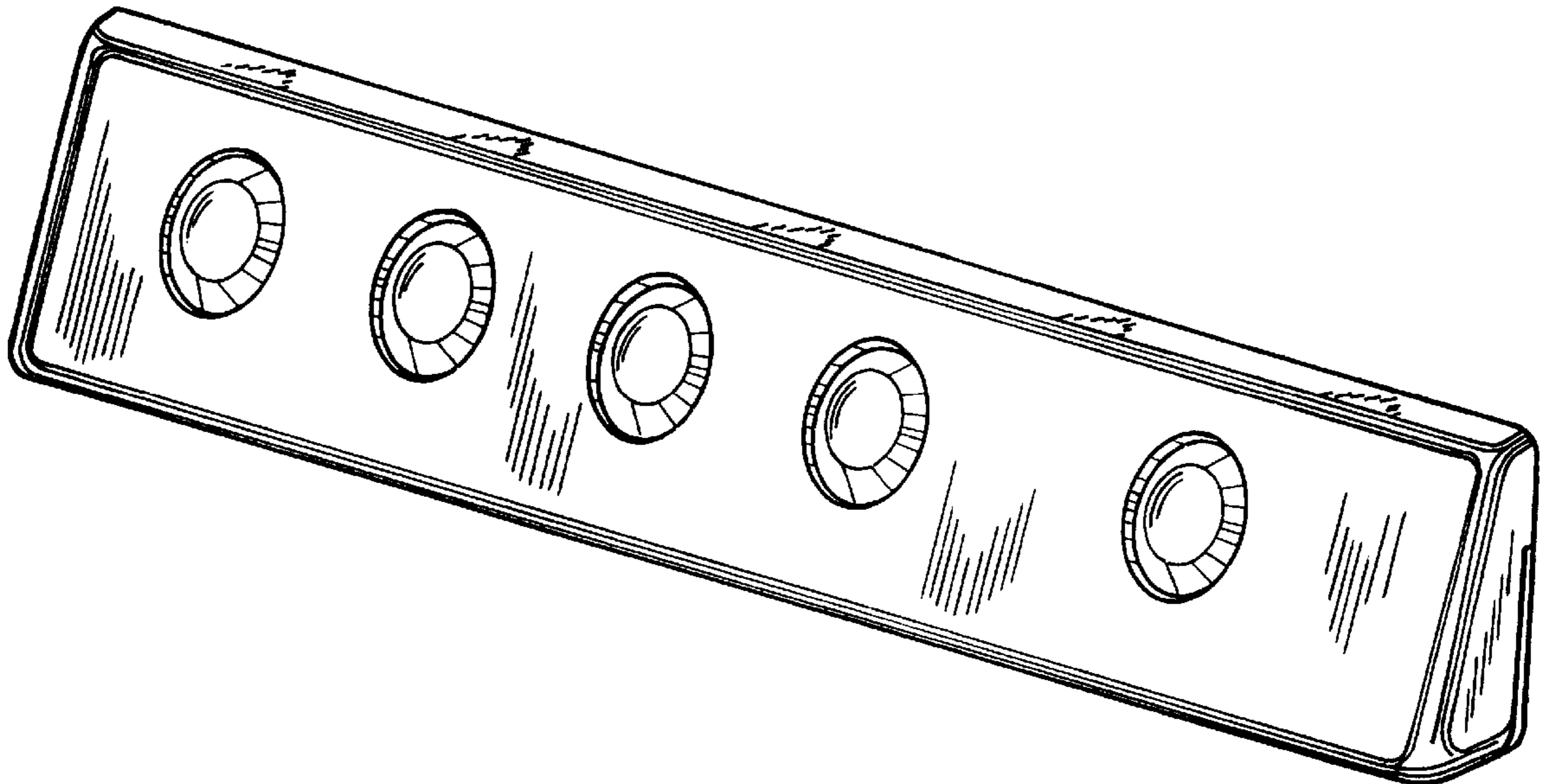
- D. 327,061 \* 6/1992 Soren et al. .... D13/164 X
- D. 363,741 \* 10/1995 Leff et al. .... D13/162 X
- D. 398,587 \* 9/1998 Pratt ..... D13/164
- D. 413,593 \* 9/1999 Suzuki et al. .... D13/184 X

The broken line showing of a housing extending rearward from the electric power director panel is for illustrative purposes only and forms no part of the claimed design.

**OTHER PUBLICATIONS**

Webpage print-out from American Power Conversion Corp. showing POWERMANAGER™ surge suppressor (date unknown) (2 pages).

**1 Claim, 3 Drawing Sheets**



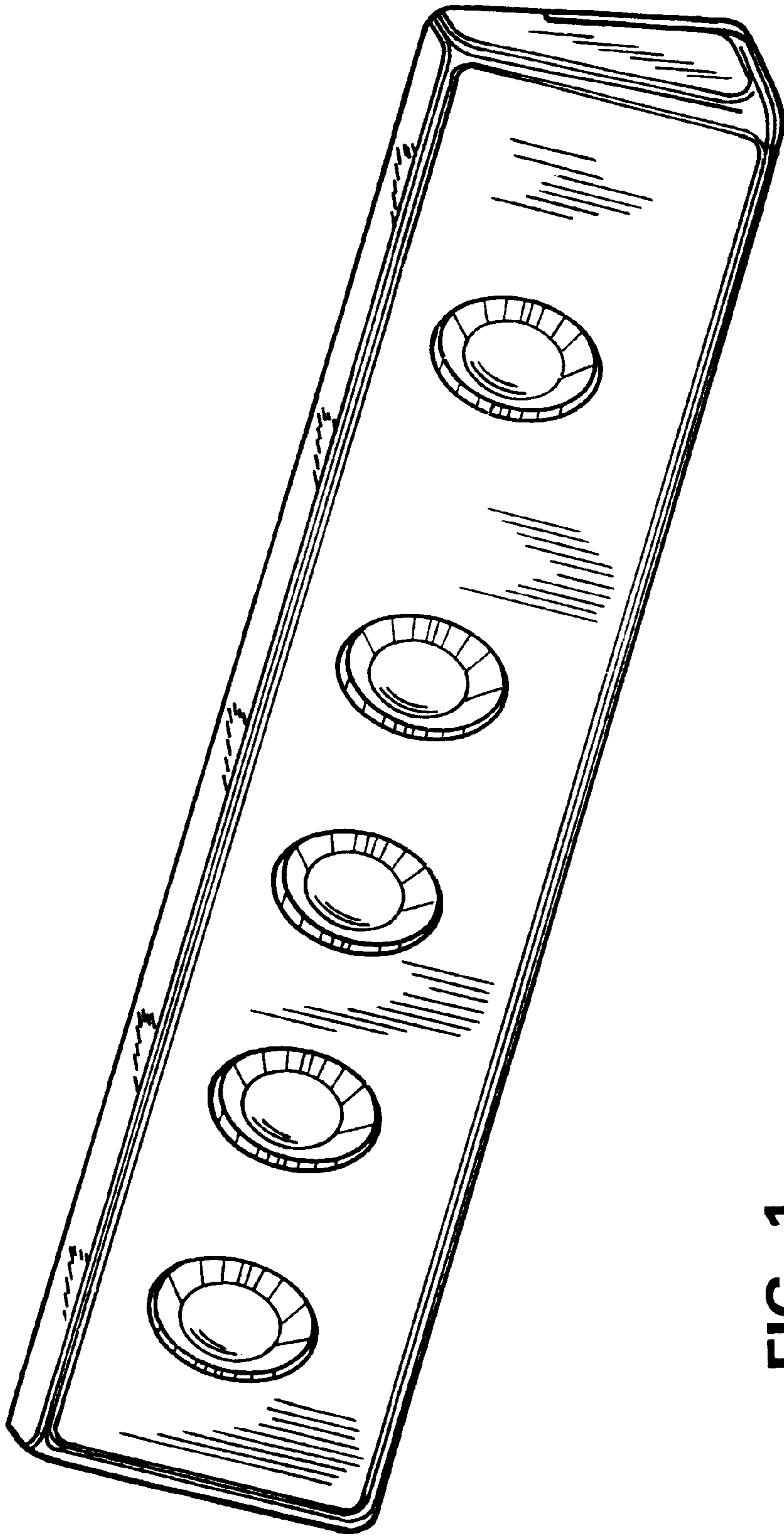


FIG. 1

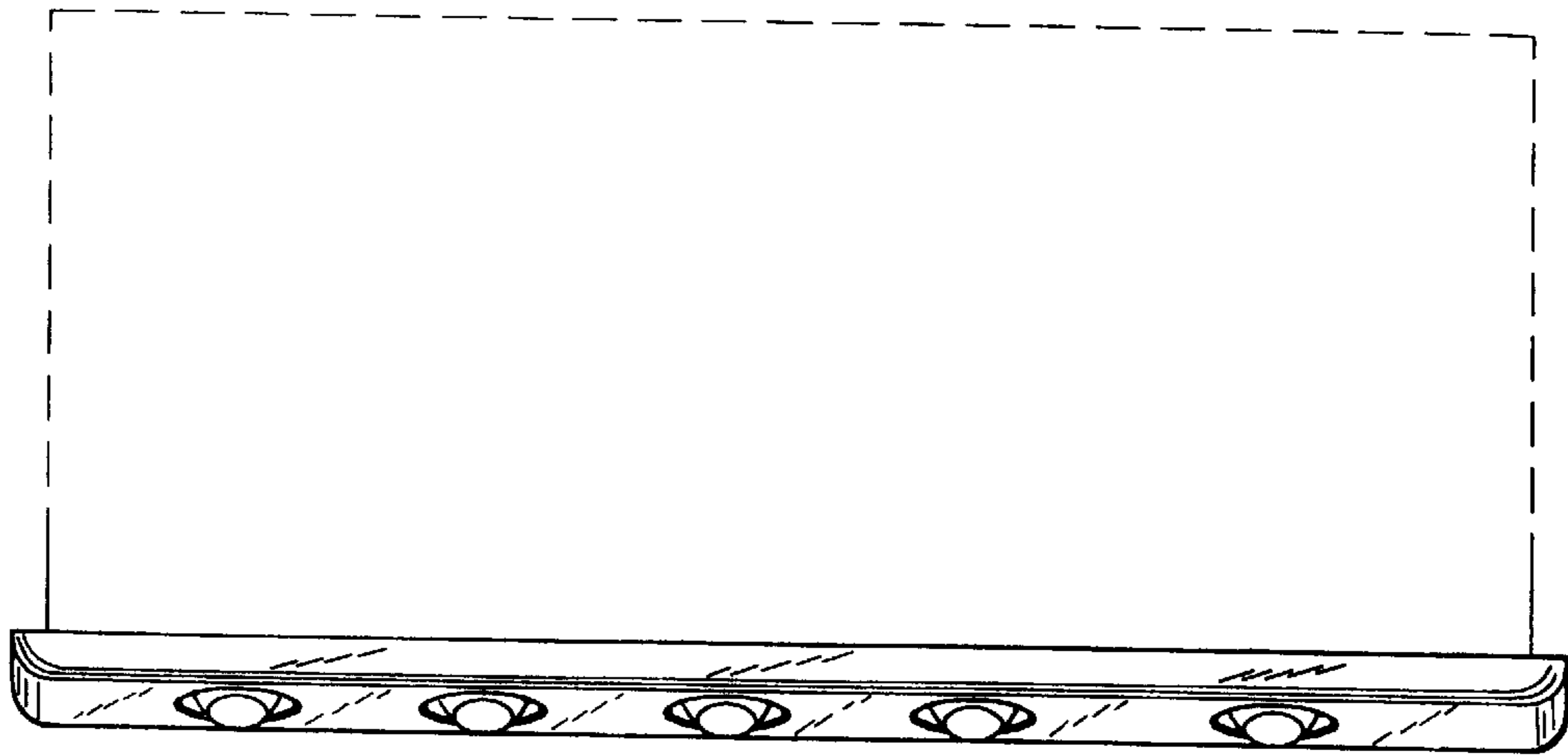


FIG. 2

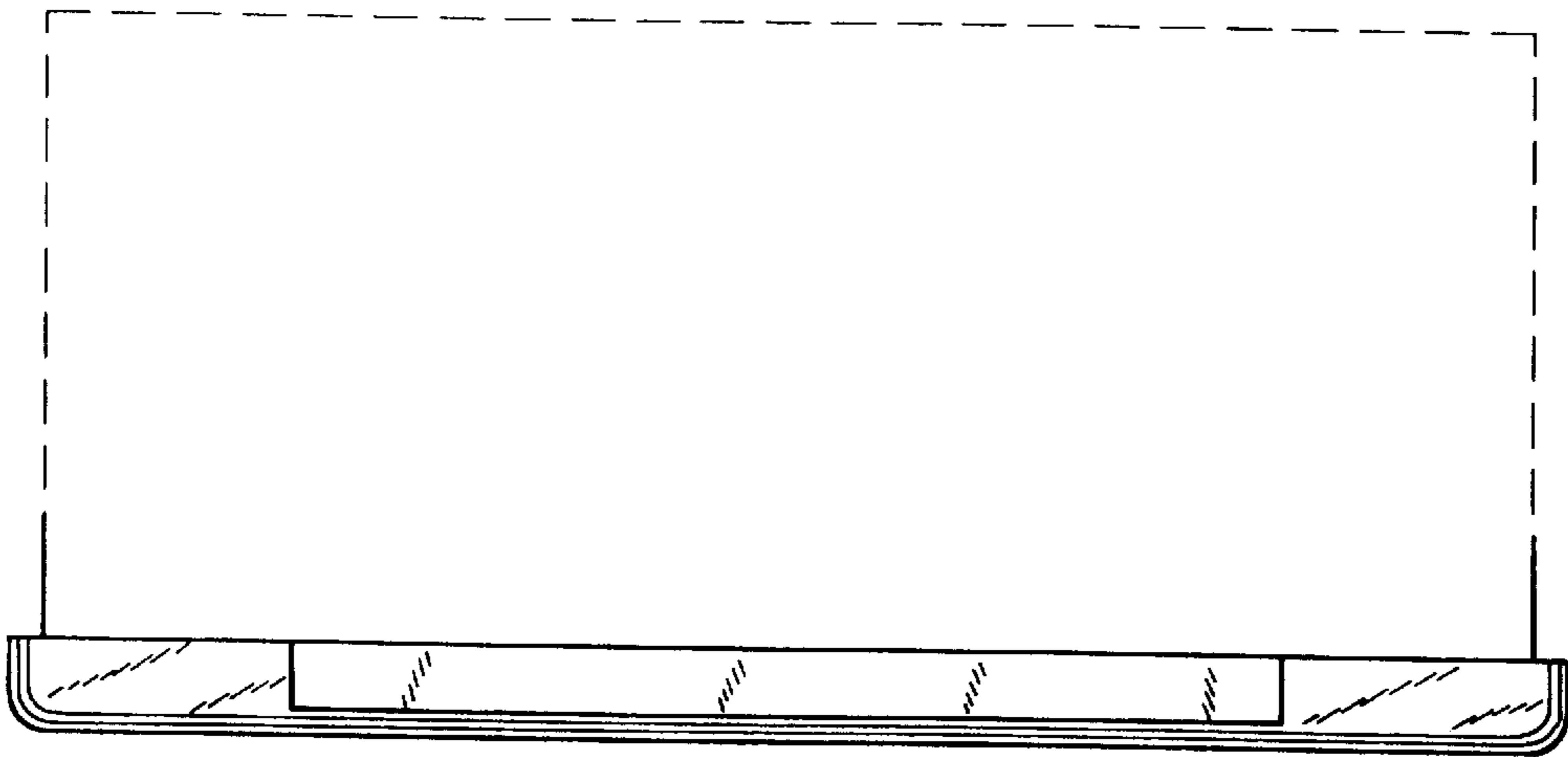


FIG. 3

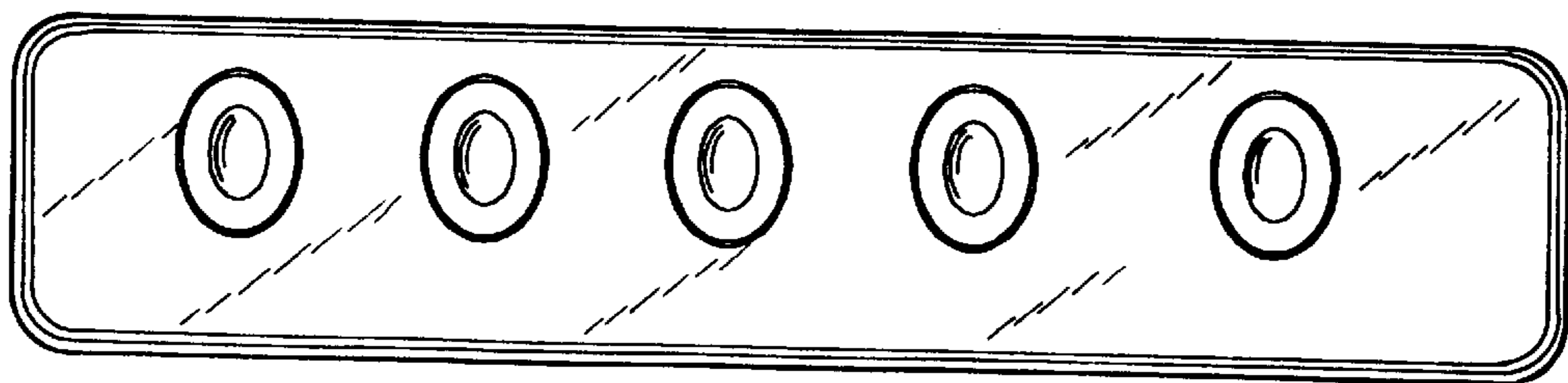
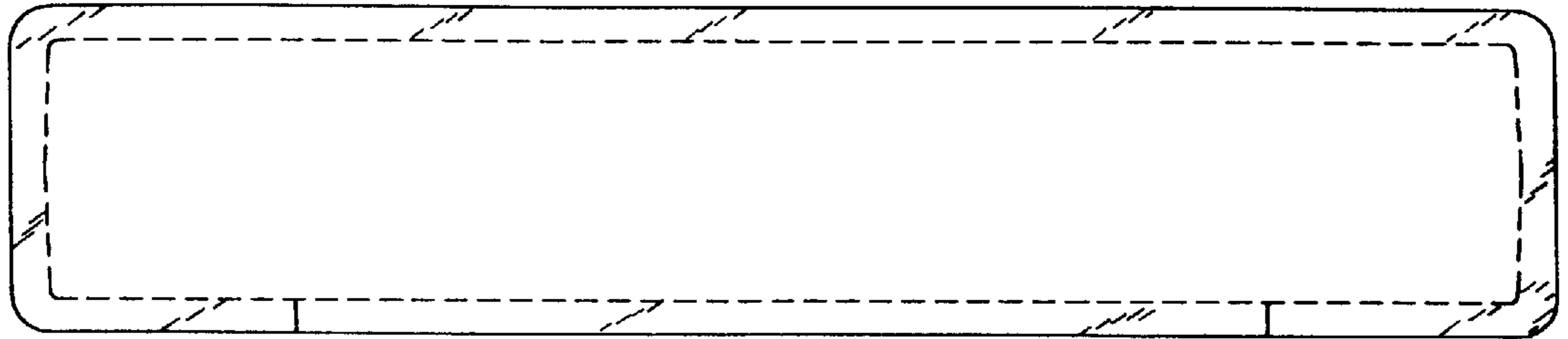
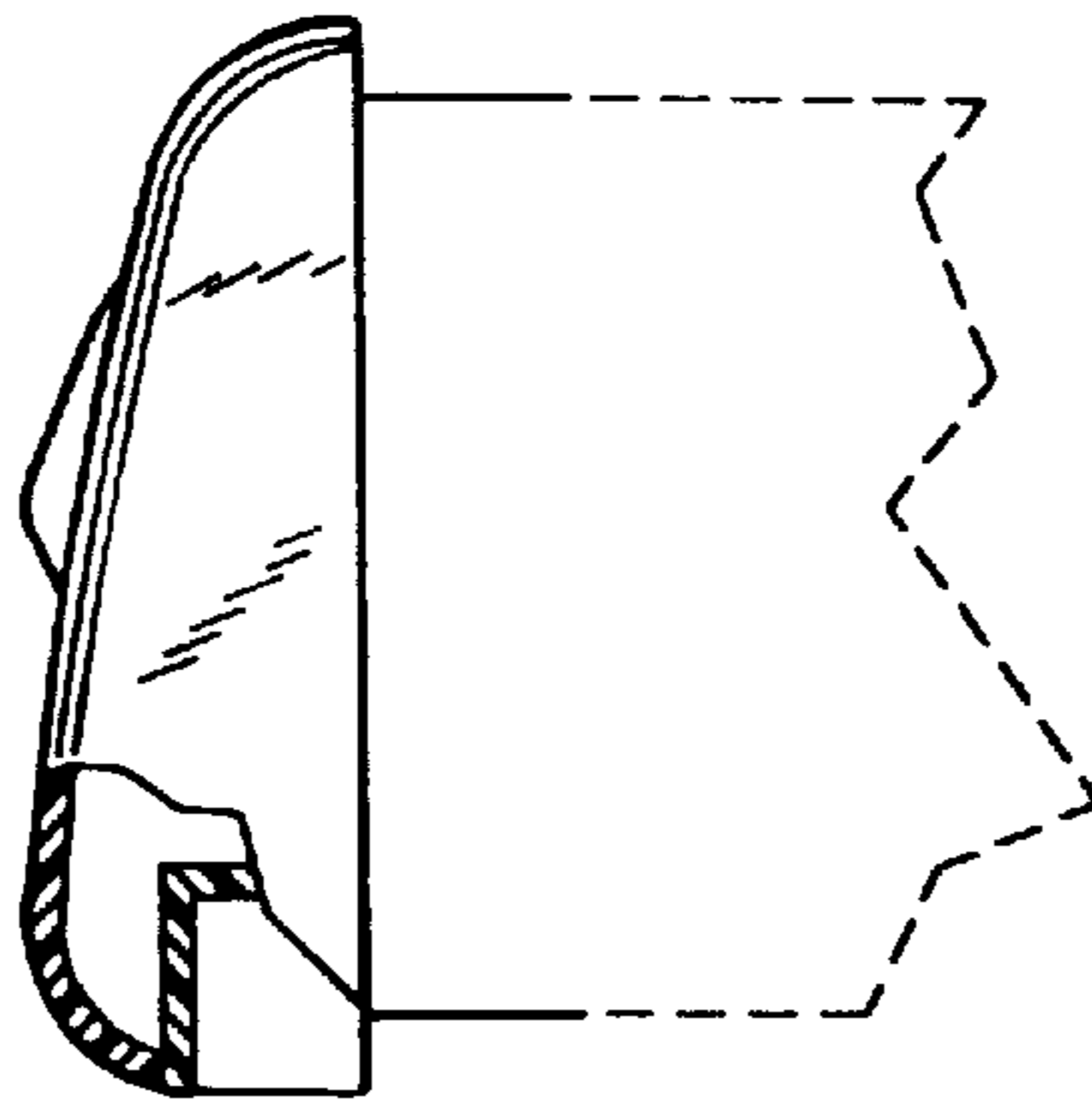


FIG. 4



**FIG. 5**



**FIG. 6**