



US00D442560S

(12) **United States Design Patent**
Price et al.

(10) **Patent No.:** **US D442,560 S**

(45) **Date of Patent:** **** May 22, 2001**

(54) **PEDESTAL HOUSING FOR AN EQUIPMENT CONTROLLER**

(75) Inventors: **Scott D. Price**, Lebanon, NJ (US);
Wesley H. Lucas, II, Cincinnati, OH (US)

(73) Assignee: **Ingersoll-Rand Company**, Woodcliff Lake, NJ (US)

(**) Term: **14 Years**

(21) Appl. No.: **29/131,286**

(22) Filed: **Oct. 18, 2000**

(51) **LOC (7) Cl.** **13-03**

(52) **U.S. Cl.** **D13/163**

(58) **Field of Search** D13/158, 162,
D13/163, 173, 184; 200/1 R, 5 R, 5 A;
307/112; 337/97, 186, 414; 361/600

(56) **References Cited**

U.S. PATENT DOCUMENTS

D. 340,279 * 10/1993 Mattis D13/164 X

D. 346,586 * 5/1994 Miyake et al. D13/163

D. 364,382 * 11/1995 Yamamoto D13/163

D. 398,289 * 9/1998 Burke D13/162

D. 412,337 * 7/1999 Hamano D13/164 X

* cited by examiner

Primary Examiner—Brian N. Vinson

(74) *Attorney, Agent, or Firm*—Leon Nigohosian, Jr.

(57) **CLAIM**

The ornamental design of a pedestal housing for an equipment controller, as shown and described.

DESCRIPTION

FIG. 1 is a perspective view of a pedestal housing for an equipment controller showing our new design;

FIG. 2 is a front view thereof;

FIG. 3 is a top view thereof;

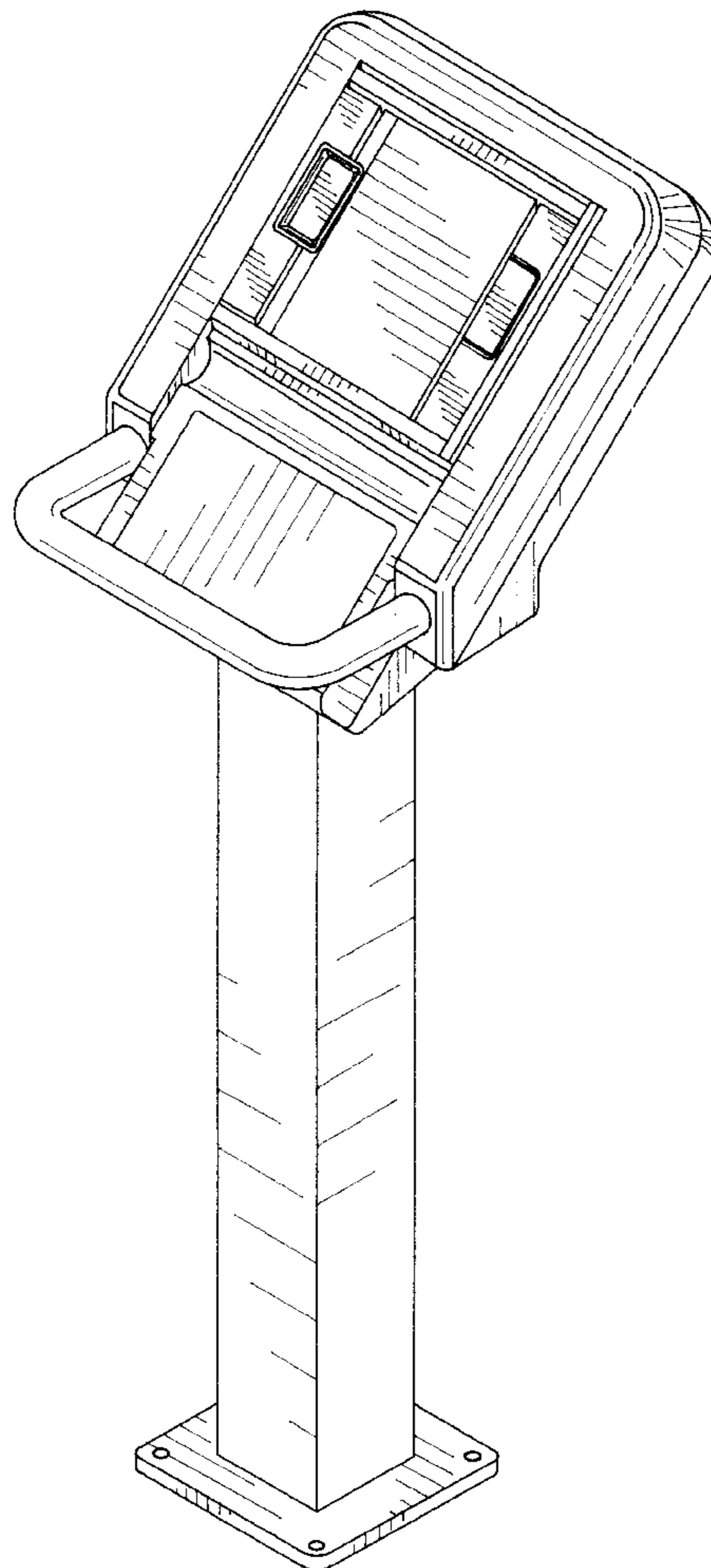
FIG. 4 is a right side view thereof;

FIG. 5 is a rear view thereof;

FIG. 6 is a left side view thereof; and,

FIG. 7 is a bottom view thereof.

1 Claim, 7 Drawing Sheets



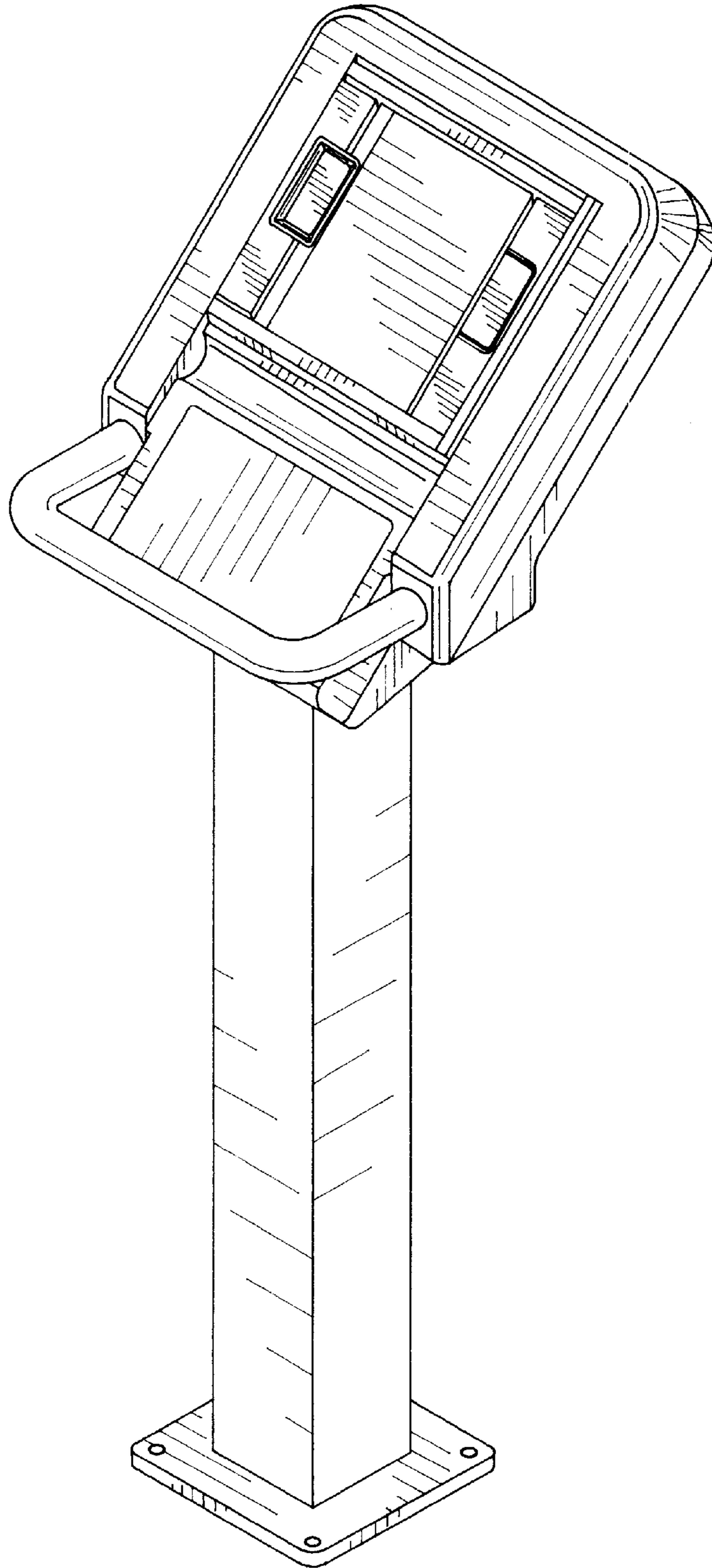


FIG. 1

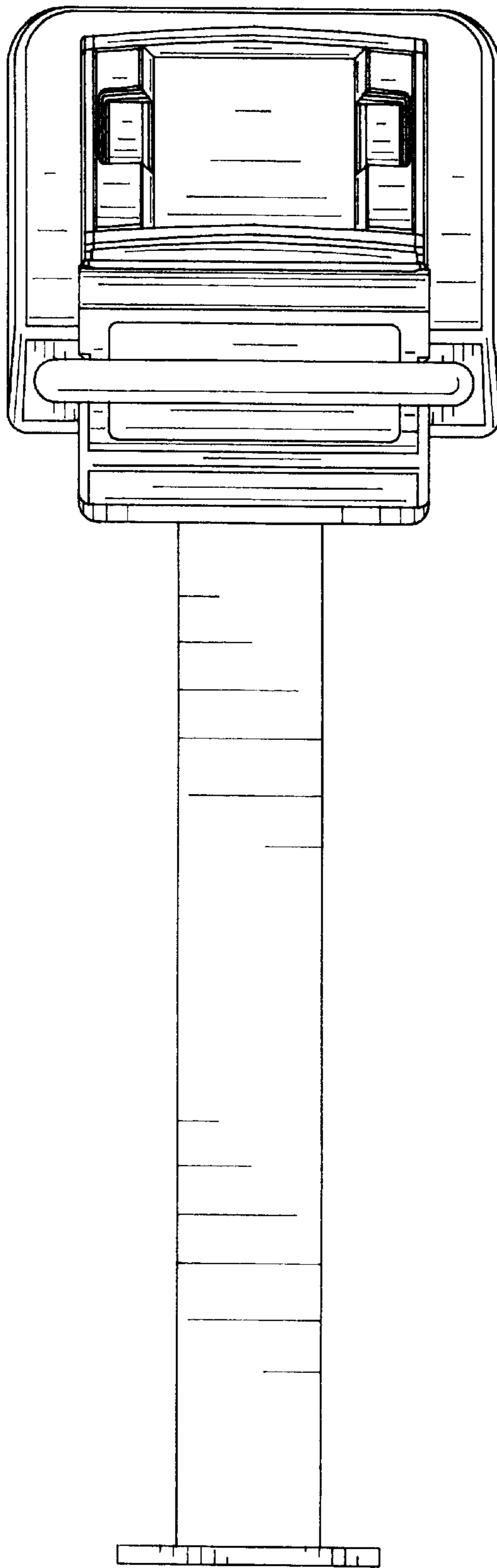


FIG. 2

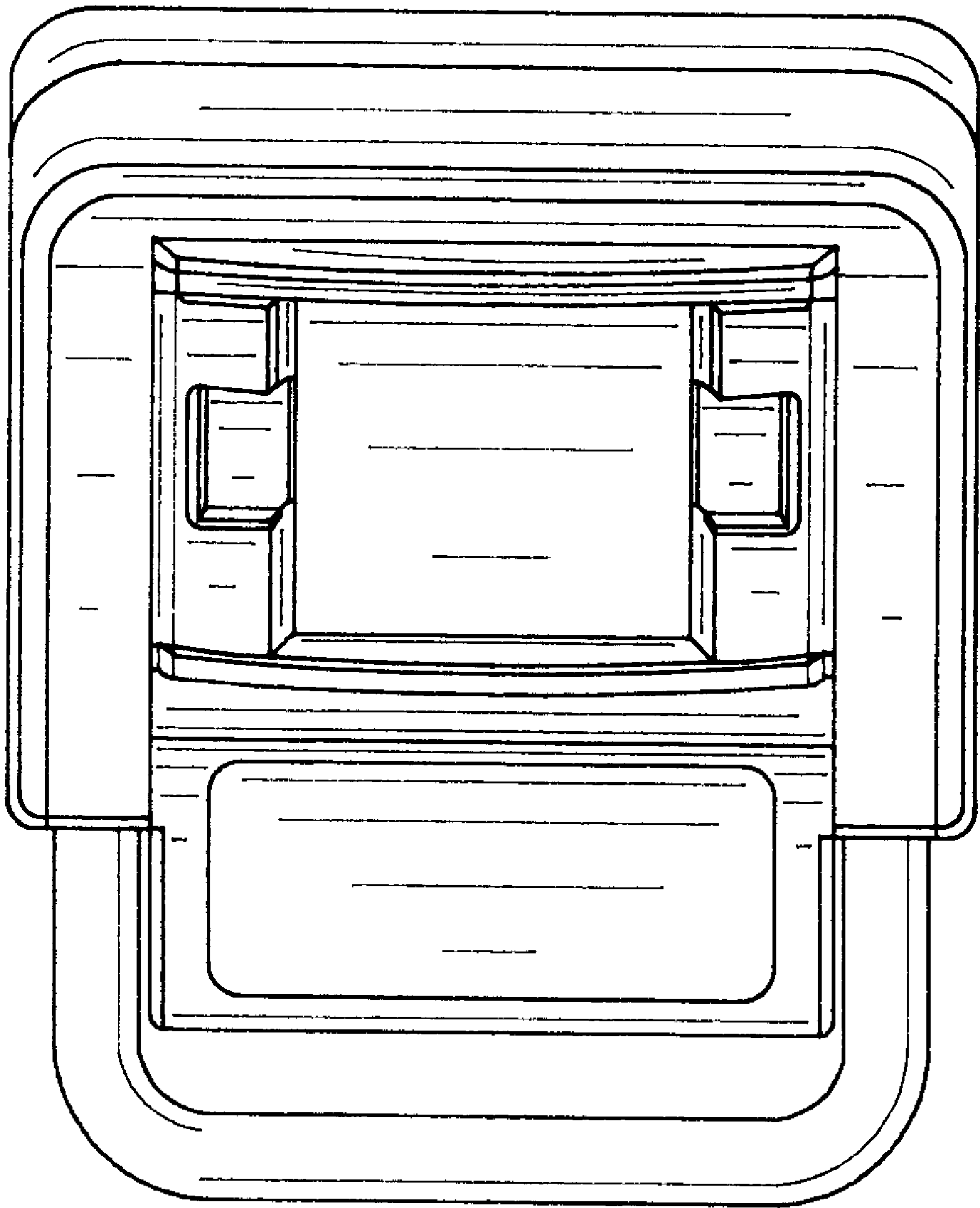


FIG. 3

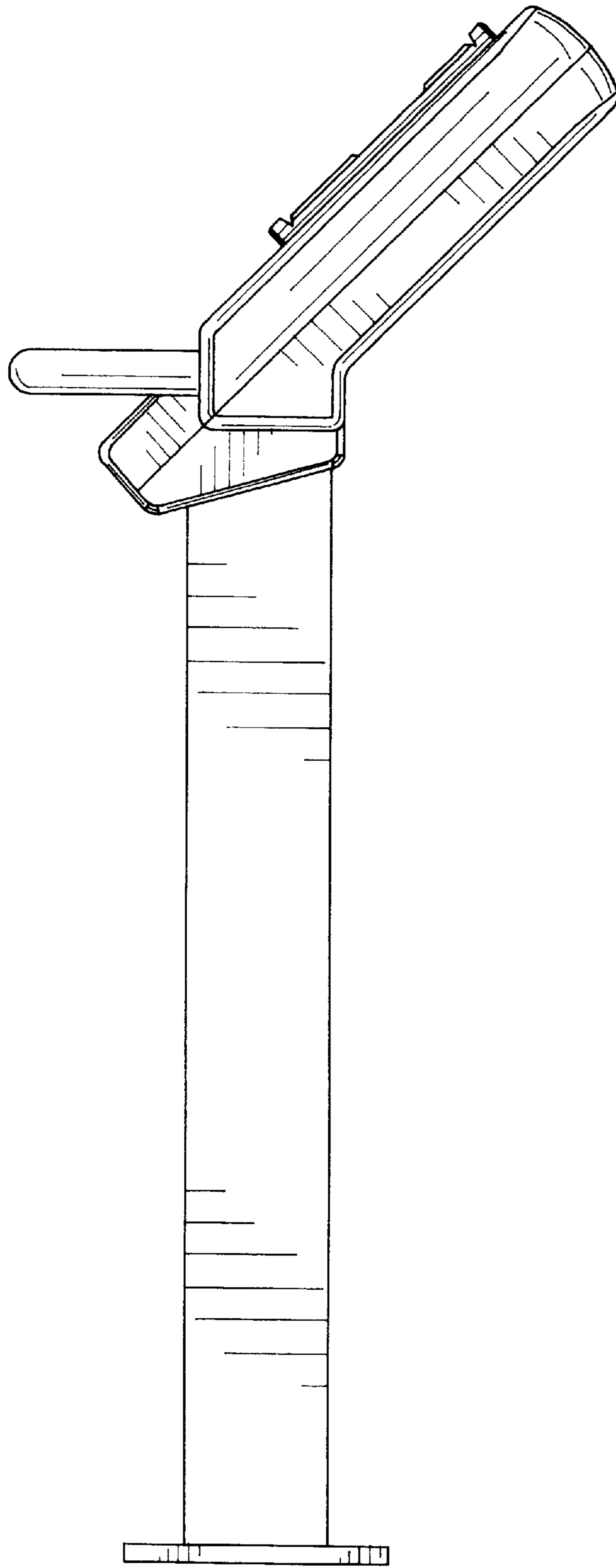


FIG. 4

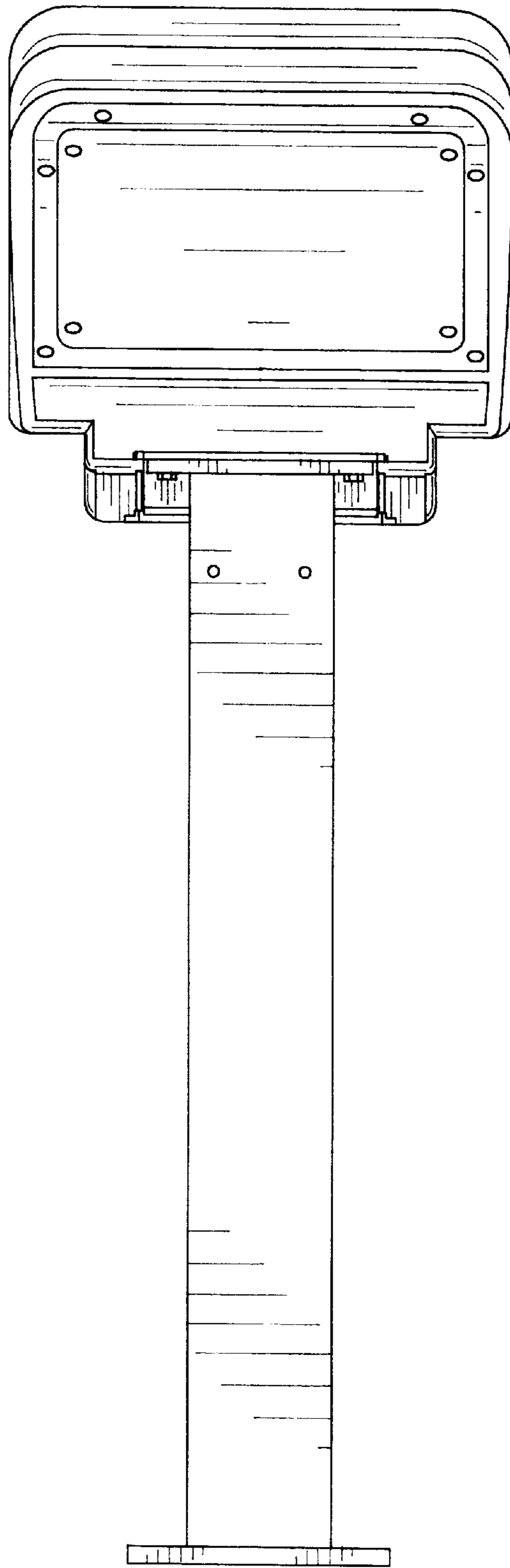


FIG. 5

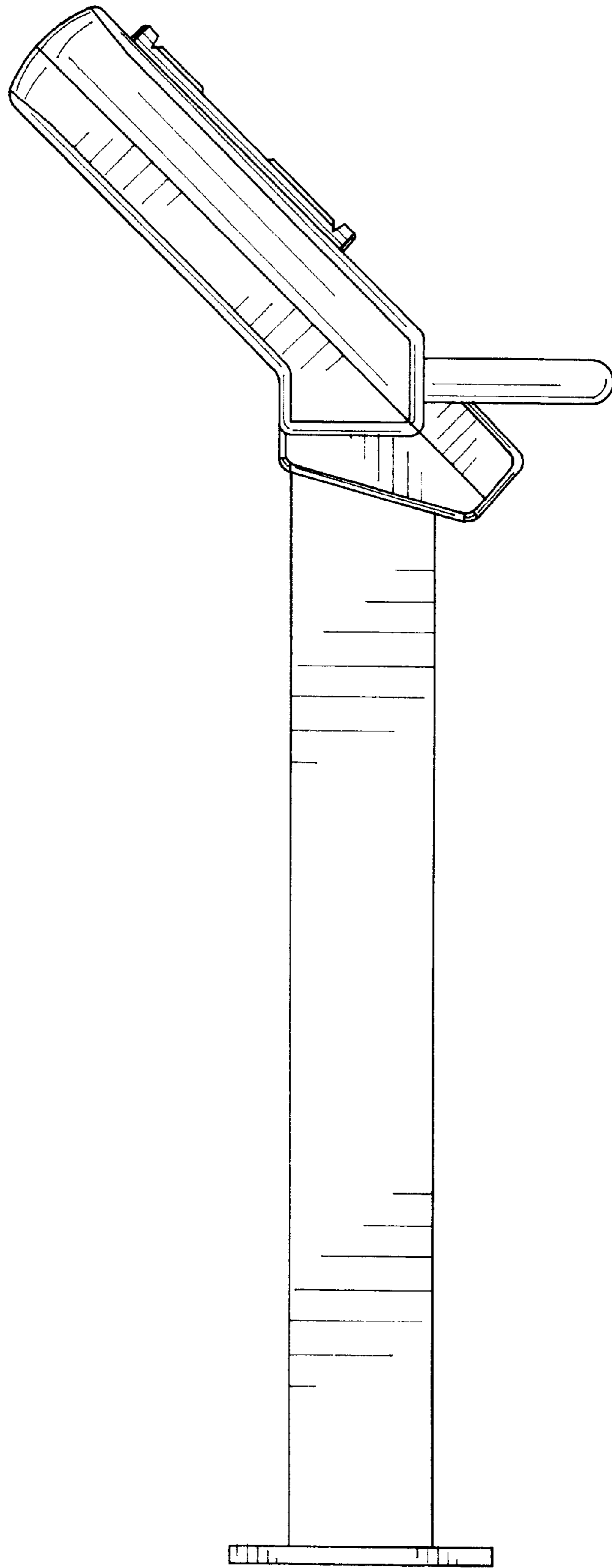


FIG. 6

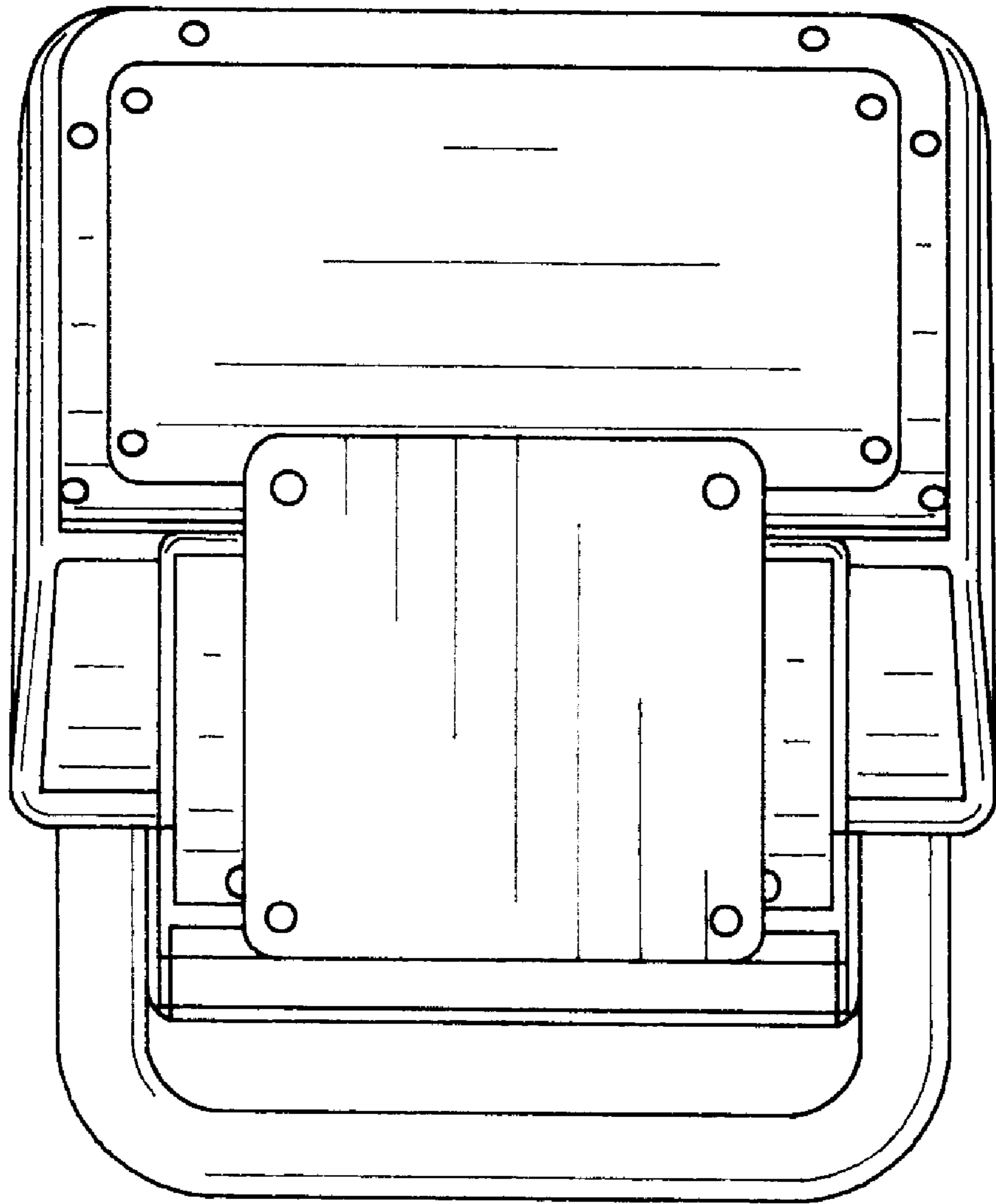


FIG. 7