



US00D442559S

(12) **United States Design Patent**
Marcomini

(10) **Patent No.:** **US D442,559 S**

(45) **Date of Patent:** **** May 22, 2001**

(54) **FRONT PIECES OF CONTROL AND
REGULATION ELECTRONIC
INSTRUMENTS AND RELEVANT
REGULATION KNOBS**

D. 367,430 * 2/1996 Greenberg et al. D13/162 X
D. 417,439 * 12/1999 Ropponen et al. D13/184
D. 427,155 * 6/2000 Pawley et al. D13/162
D. 429,702 * 8/2000 Maruta et al. D13/162
5,160,832 * 11/1992 Hubert et al. D13/164 X

(75) Inventor: **Demetrio Marcomini**, Belluno (IT)

* cited by examiner

(73) Assignee: **Microtech Srl**, Pieva D'Alpago (IT)

Primary Examiner—Brian N. Vinson

(**) Term: **14 Years**

(74) *Attorney, Agent, or Firm*—Antonelli, Terry, Stout & Kraus, LLP

(21) Appl. No.: **29/129,642**

(57) **CLAIM**

(22) Filed: **Sep. 20, 2000**

The ornamental design for front pieces of control and regulation electronic instruments and relevant regulation knobs, as shown.

(30) **Foreign Application Priority Data**

Mar. 20, 2000 (XH) DM/052442

DESCRIPTION

(51) **LOC (7) Cl.** **13-03**

(52) **U.S. Cl.** **D13/162**

(58) **Field of Search** D13/158, 162,
D13/163, 173, 184; 200/1 R, 5 R, 5 A;
307/112; 337/97, 186, 414; 361/600

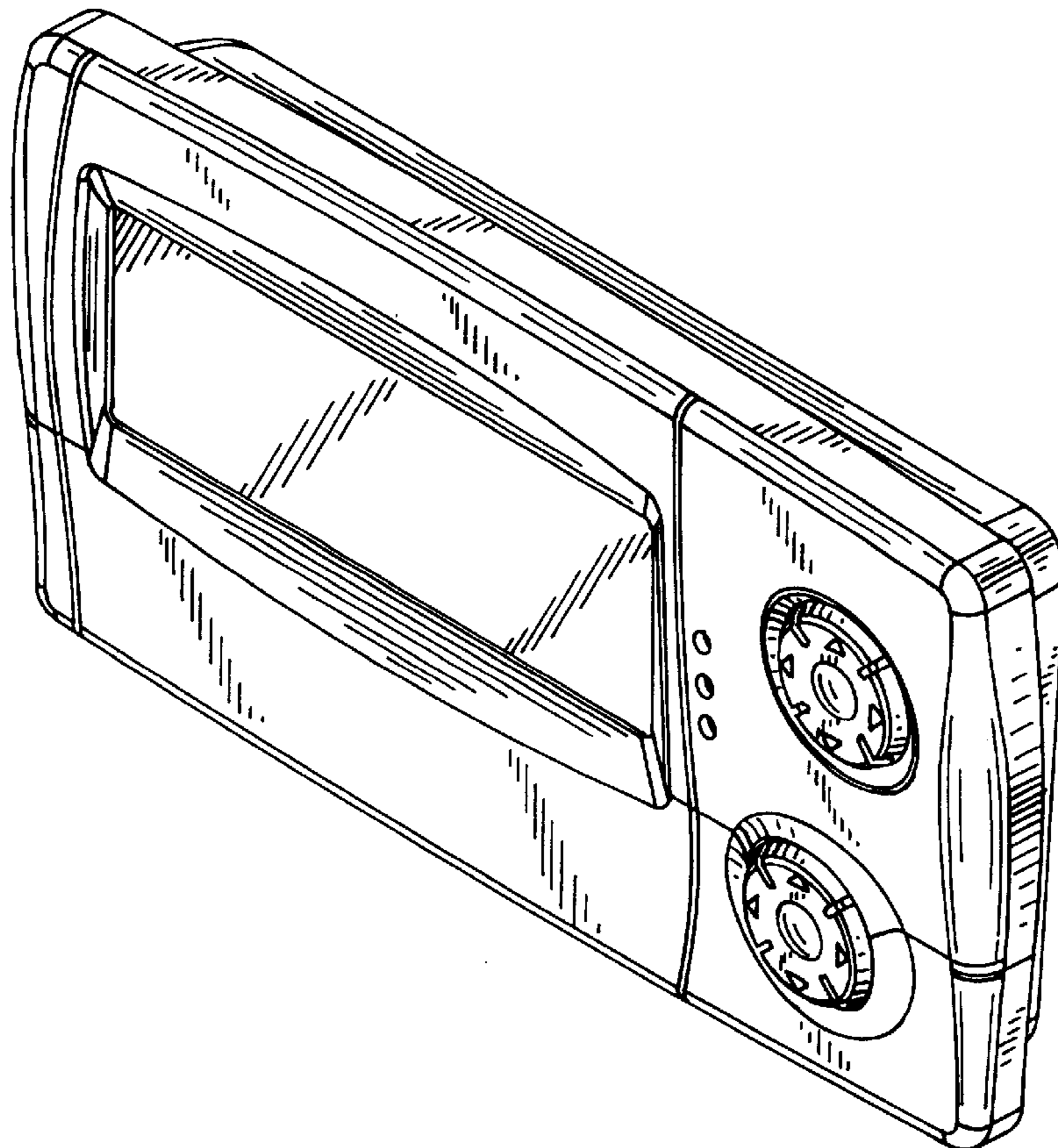
FIG. 1 is a perspective view of front pieces of control and regulation electronic instruments and relevant regulation knobs showing my new design;
FIG. 2 is a front view thereof;
FIG. 3 is a top view thereof;
FIG. 4 is a bottom view thereof;
FIG. 5 is a left side view thereof; and,
FIG. 6 is a right side view.

(56) **References Cited**

U.S. PATENT DOCUMENTS

D. 344,684 * 3/1994 Metz et al. D13/164 X
D. 348,674 * 7/1994 Lindeman et al. D13/164 X

1 Claim, 2 Drawing Sheets



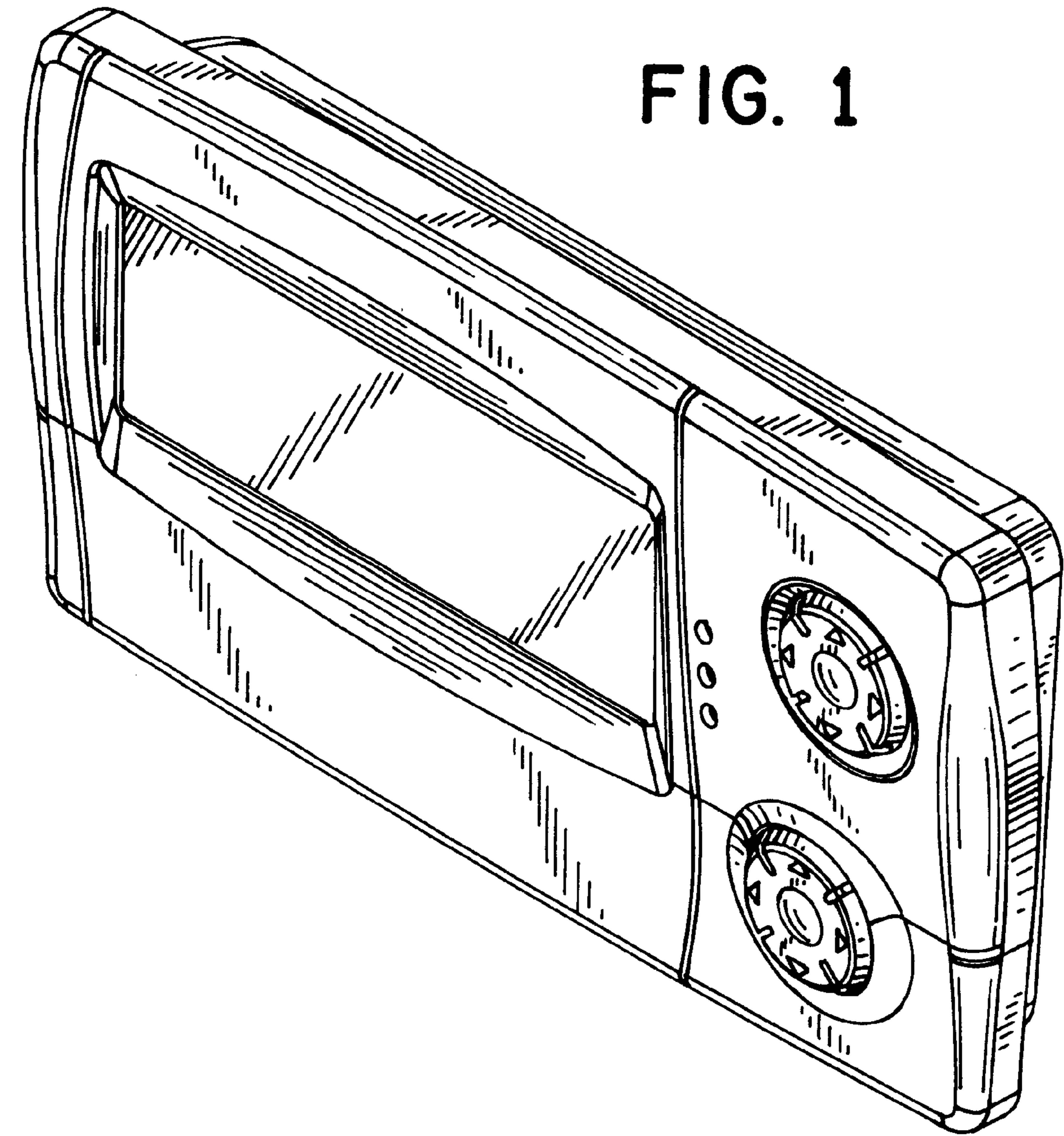


FIG. 1

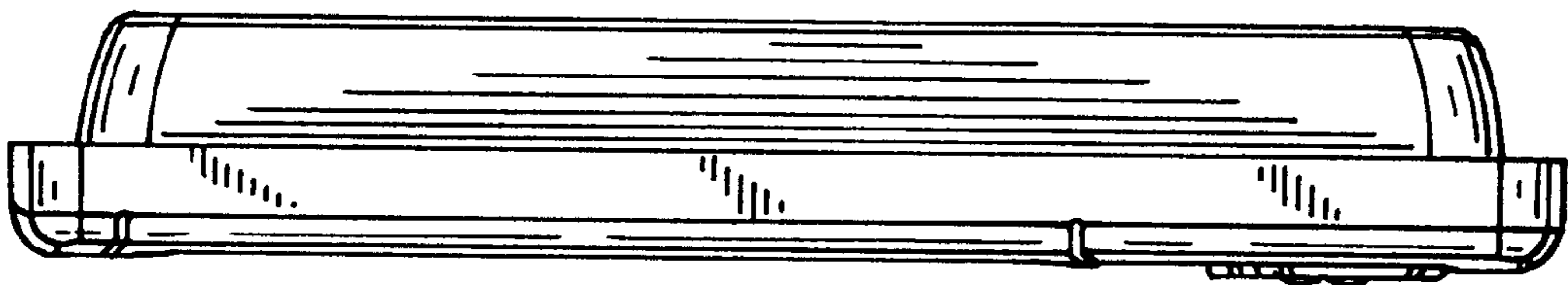


FIG. 3

FIG. 5

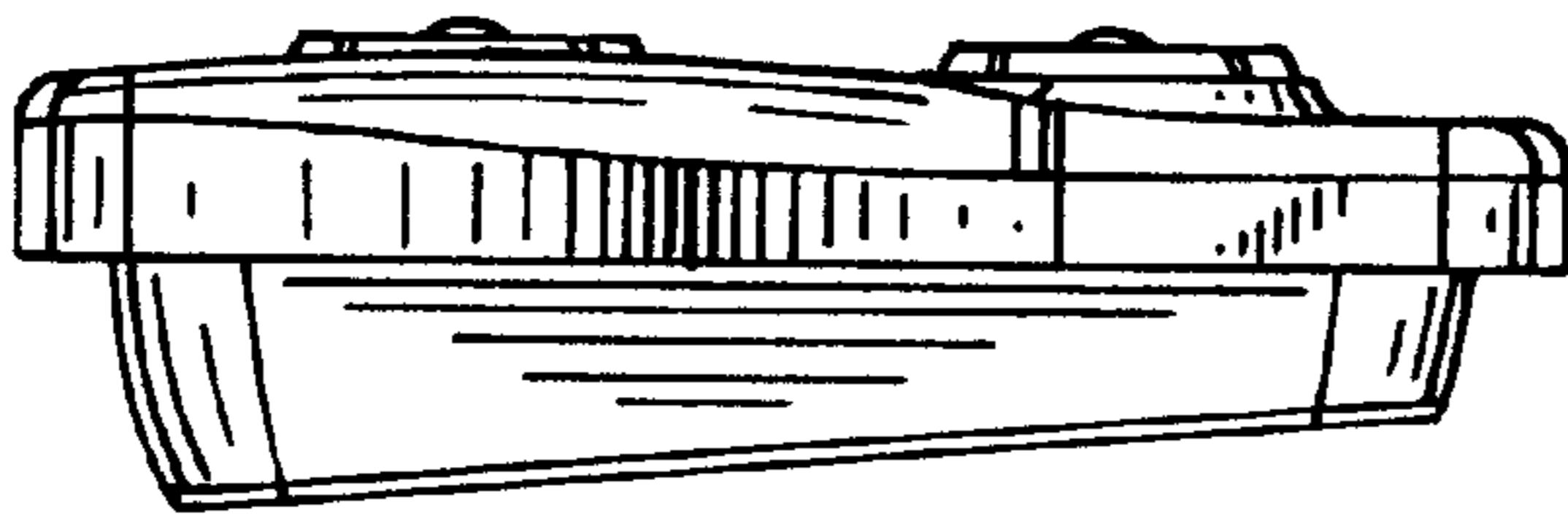


FIG. 2

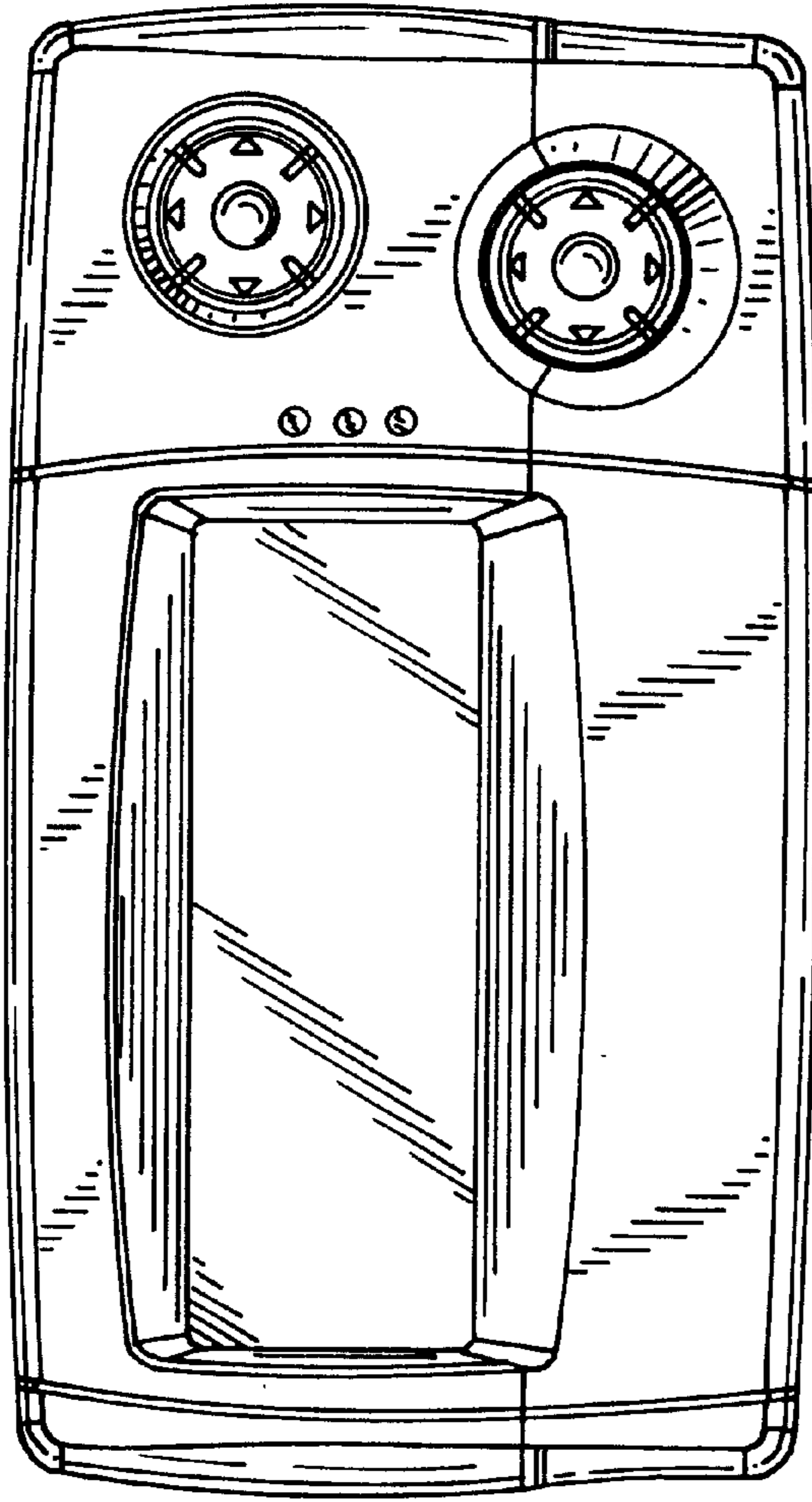


FIG. 6

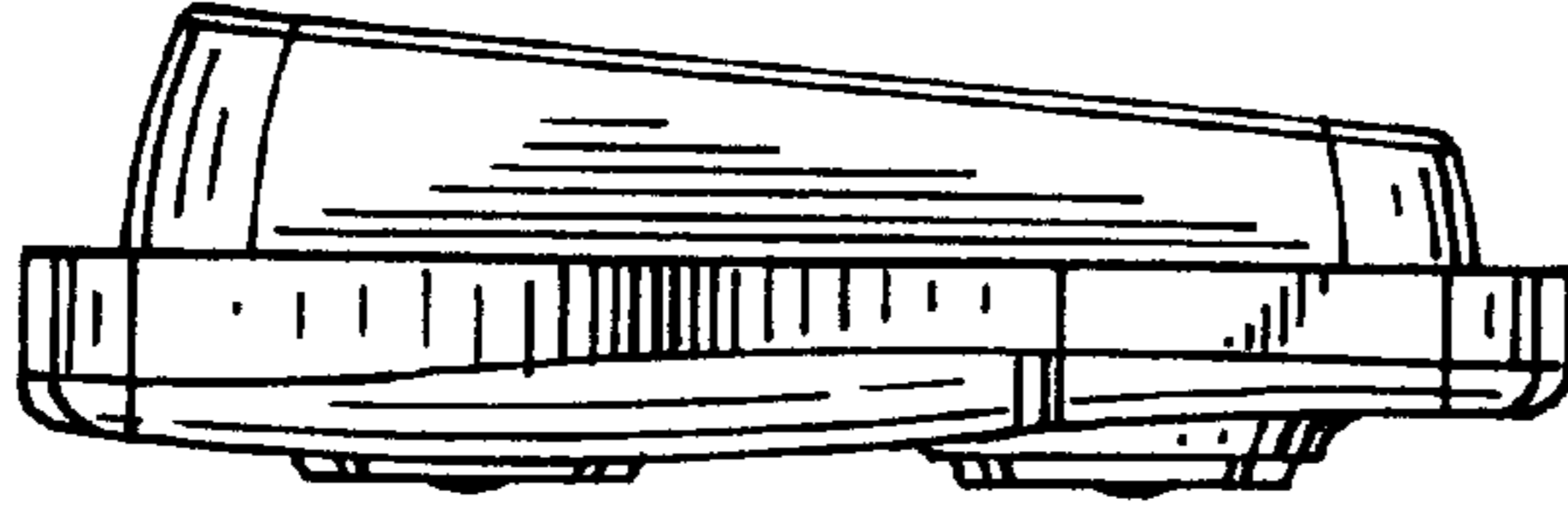


FIG. 4

