



US00D442556S

(12) **United States Design Patent**
Milan

(10) **Patent No.:** **US D442,556 S**

(45) **Date of Patent:** **** May 22, 2001**

(54) **MOLD PRODUCED HOUSING FOR ENCLOSING THE CONNECTION BETWEEN A CABLE AND A CONNECTOR**

5,941,726 * 8/1999 Koegel et al. 439/358

* cited by examiner

(76) **Inventor:** **Henry Milan**, 1709 Apple Ridge Ct., Rochester Hills, MI (US) 48306

Primary Examiner—Joel Sincavage

(74) *Attorney, Agent, or Firm*—Marshall & Melhorn, LLC

(**) **Term:** **14 Years**

(57) **CLAIM**

The ornamental design for a mold produced housing for enclosing the connection between a cable and a connector, as shown and described.

(21) **Appl. No.:** **29/132,525**

(22) **Filed:** **Nov. 10, 2000**

DESCRIPTION

(51) **LOC (7) Cl.** **13-03**

(52) **U.S. Cl.** **D13/154; D13/147**

(58) **Field of Search** D13/133, 146, D13/147, 154, 156; 439/358, 362, 372, 588, 607–610, 687, 696, 731

FIG. 1 is a front elevational view of a mold produced housing for enclosing the connection between a cable and a connector showing my new design.

FIG. 2 is a rear elevational view thereof.

FIG. 3 is a top plan view thereof.

FIG. 4 is a bottom plan view thereof.

FIG. 5 is a right side elevational view thereof; and,

FIG. 6 is a left side elevational view thereof.

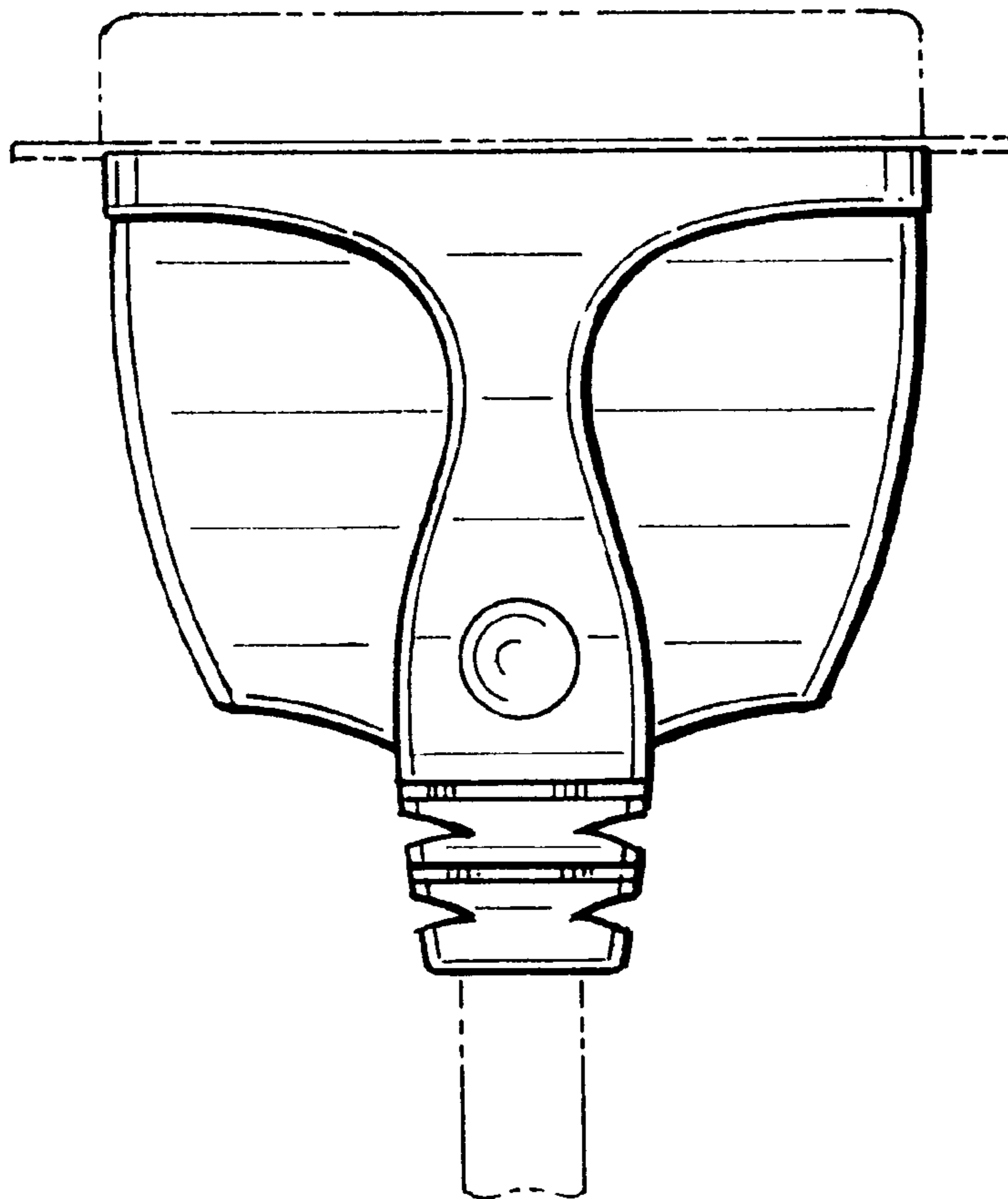
(56) **References Cited**

U.S. PATENT DOCUMENTS

- D. 379,968 * 6/1997 Tan et al. D13/147
- D. 396,689 * 8/1998 Karten et al. D13/147
- D. 416,230 * 11/1999 Narumo et al. D13/147
- 5,041,011 * 8/1991 Chiang 439/607 X
- 5,569,047 * 10/1996 Pauza et al. 439/358 X
- 5,749,746 * 5/1998 Tan et al. 439/358 X

The broken lines in FIG. 1 are included for the purpose of illustrating environmental structure only and form no part of the claimed design.

1 Claim, 1 Drawing Sheet



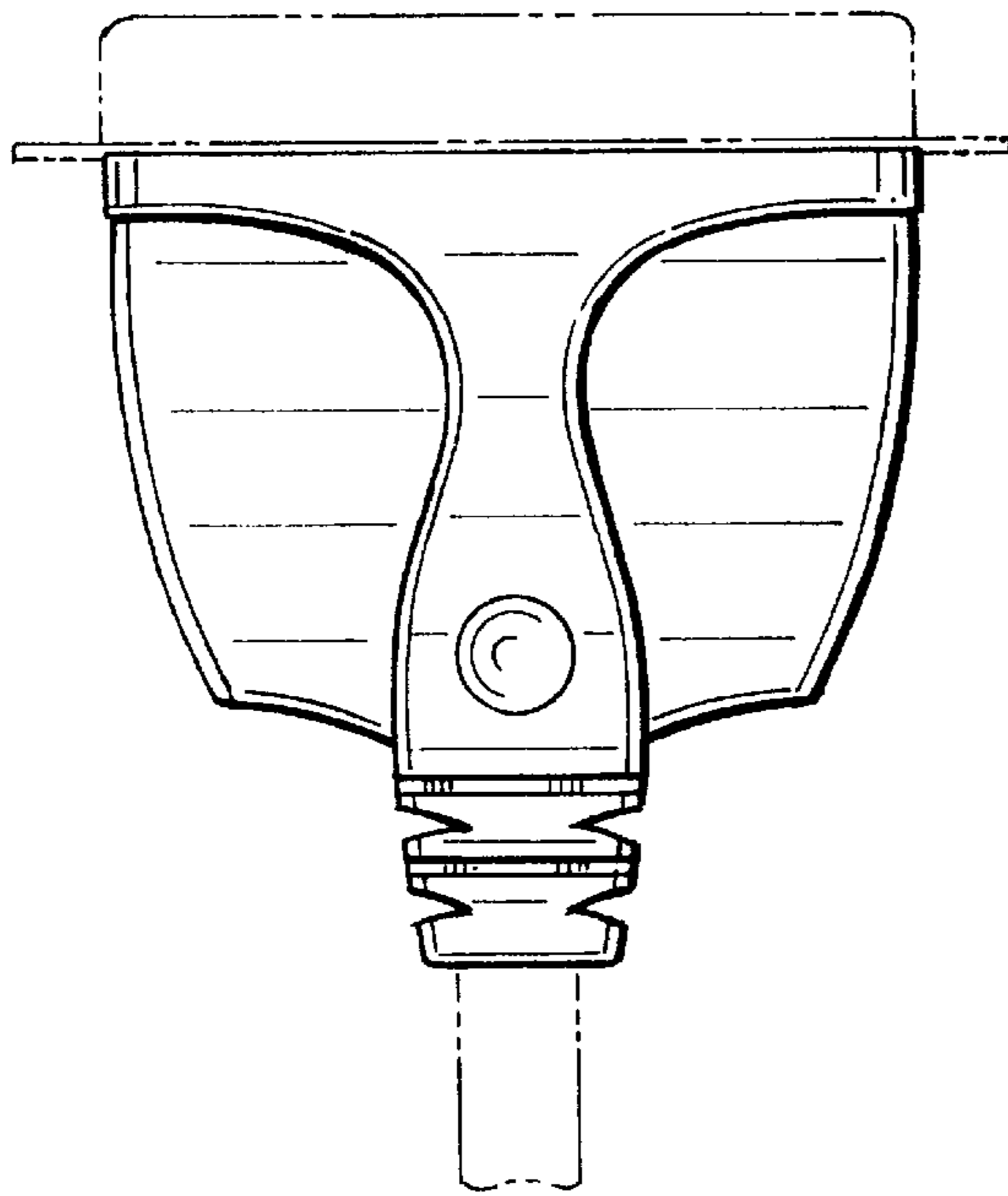


FIG. 1

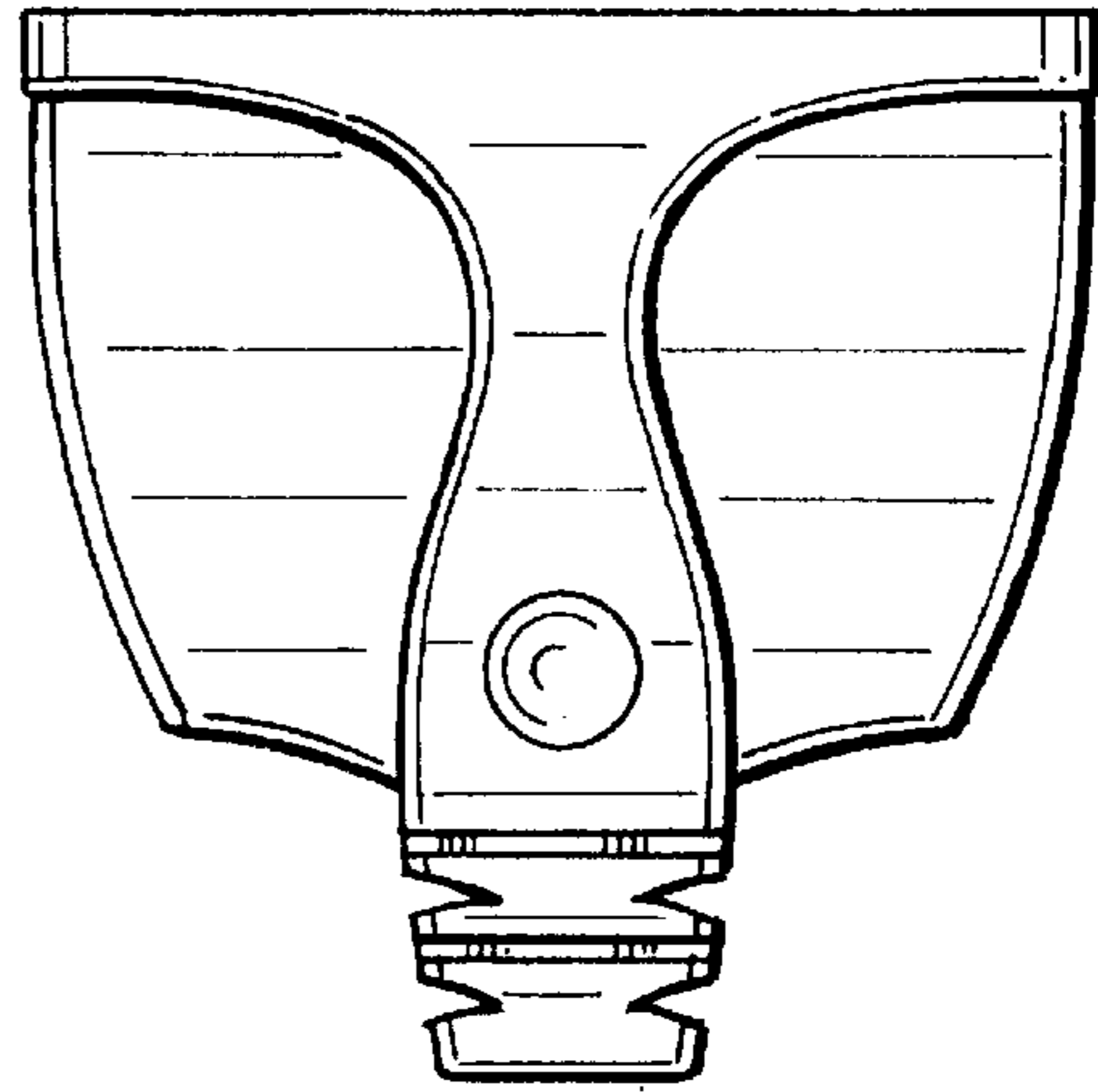


FIG. 2

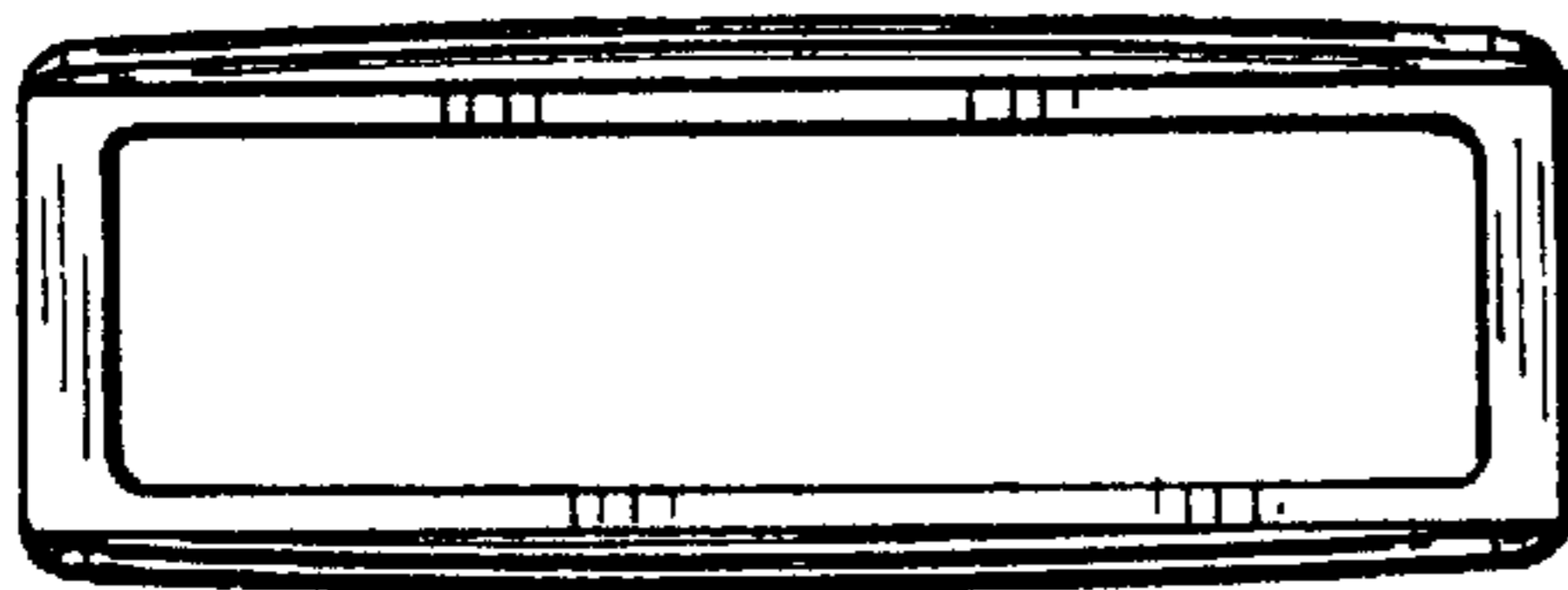


FIG. 3

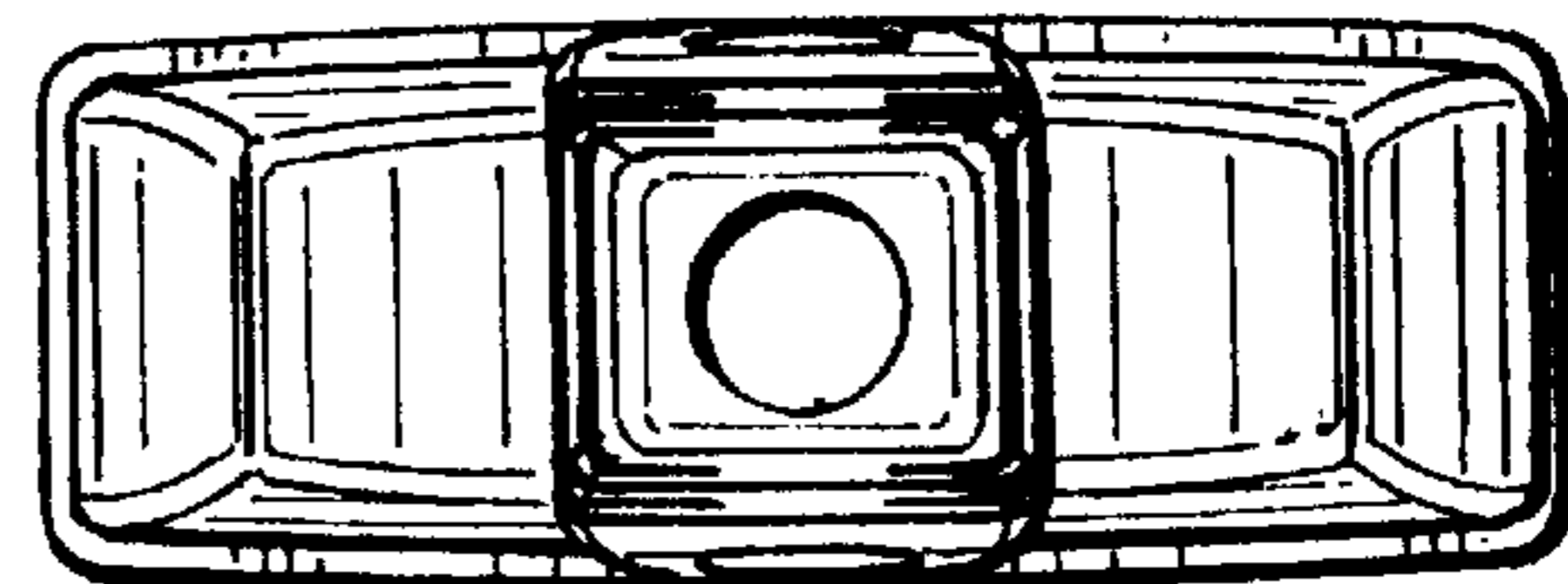


FIG. 4

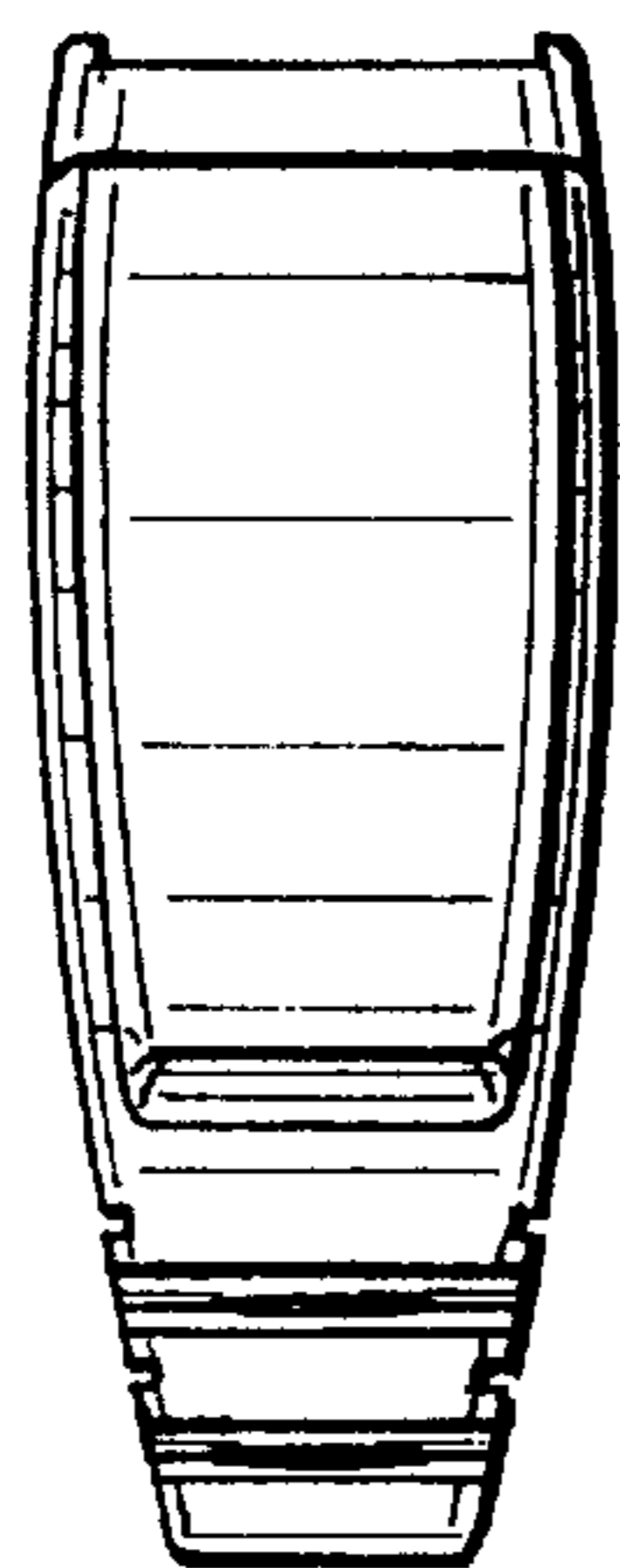


FIG. 5

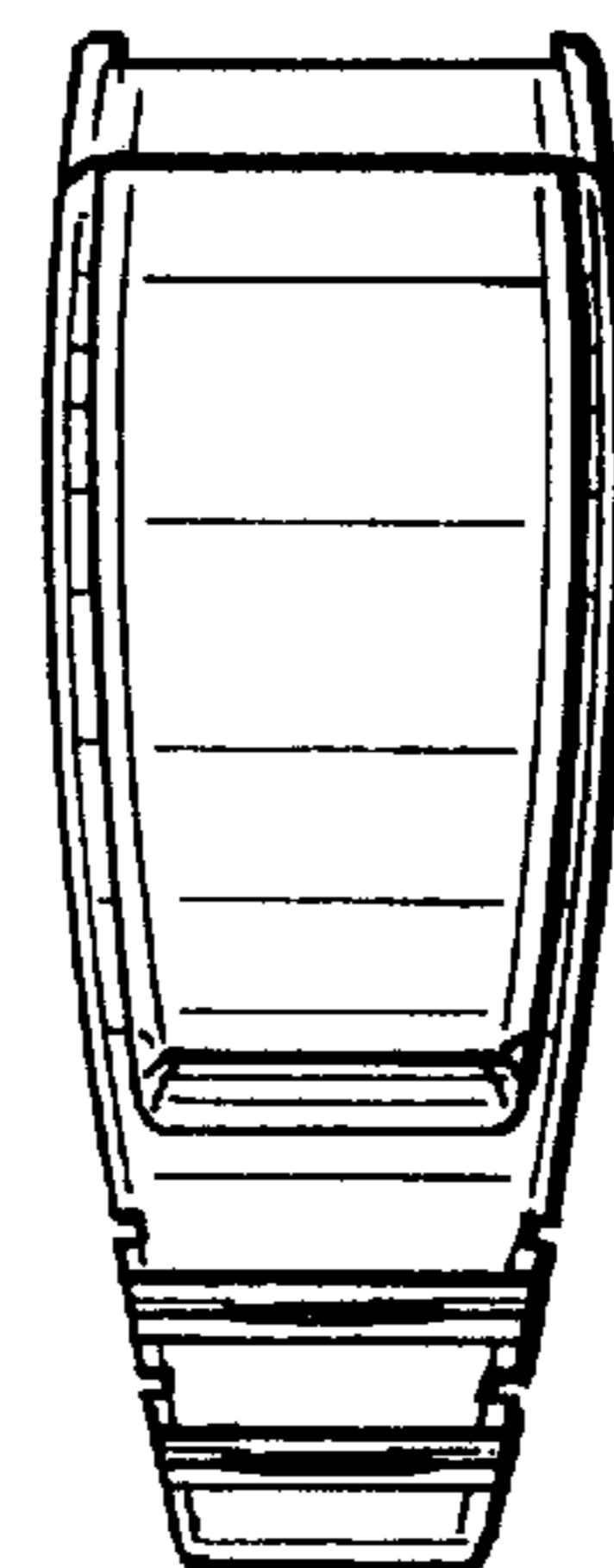


FIG. 6