



US00D442555S

(12) **United States Design Patent**  
**Milan**

(10) **Patent No.:** **US D442,555 S**

(45) **Date of Patent:** **\*\* May 22, 2001**

(54) **MOLD PRODUCED HOUSING FOR ENCLOSING THE CONNECTION BETWEEN A CABLE AND A CONNECTOR**

(76) Inventor: **Henry Milan**, 1709 Apple Ridge Ct., Rochester Hills, MI (US) 48306

(\*\*) Term: **14 Years**

(21) Appl. No.: **29/132,486**

(22) Filed: **Nov. 10, 2000**

(51) **LOC (7) Cl.** ..... **13-03**

(52) **U.S. Cl.** ..... **D13/154; D13/147**

(58) **Field of Search** ..... D13/133, 146, D13/147, 154, 156; 439/358, 362, 372, 588, 606-610, 687, 696, 731

(56) **References Cited**

**U.S. PATENT DOCUMENTS**

D. 396,689	*	8/1998	Karten et al.	.....	D13/147
D. 411,827	*	7/1999	Gilliland et al.	.....	D13/147
5,383,795	*	1/1995	Falossi et al.	.....	439/362
5,658,170	*	8/1997	Tan et al.	.....	439/610
5,938,476	*	8/1999	Wu et al.	.....	439/610

6,095,845 \* 8/2000 Murphy ..... D39/364

\* cited by examiner

*Primary Examiner*—Joel Sincavage

(74) *Attorney, Agent, or Firm*—Marshall & Melhorn, LLC

(57) **CLAIM**

The ornamental design for a mold produced housing for enclosing the connection between a cable and a connector, as shown and described.

**DESCRIPTION**

FIG. 1 is a perspective view of a mold produced housing for enclosing the connection between a cable and a connector showing my new design.

FIG. 2 is a top plan view thereof.

FIG. 3 is a left side view thereof.

FIG. 4 is a right side view thereof.

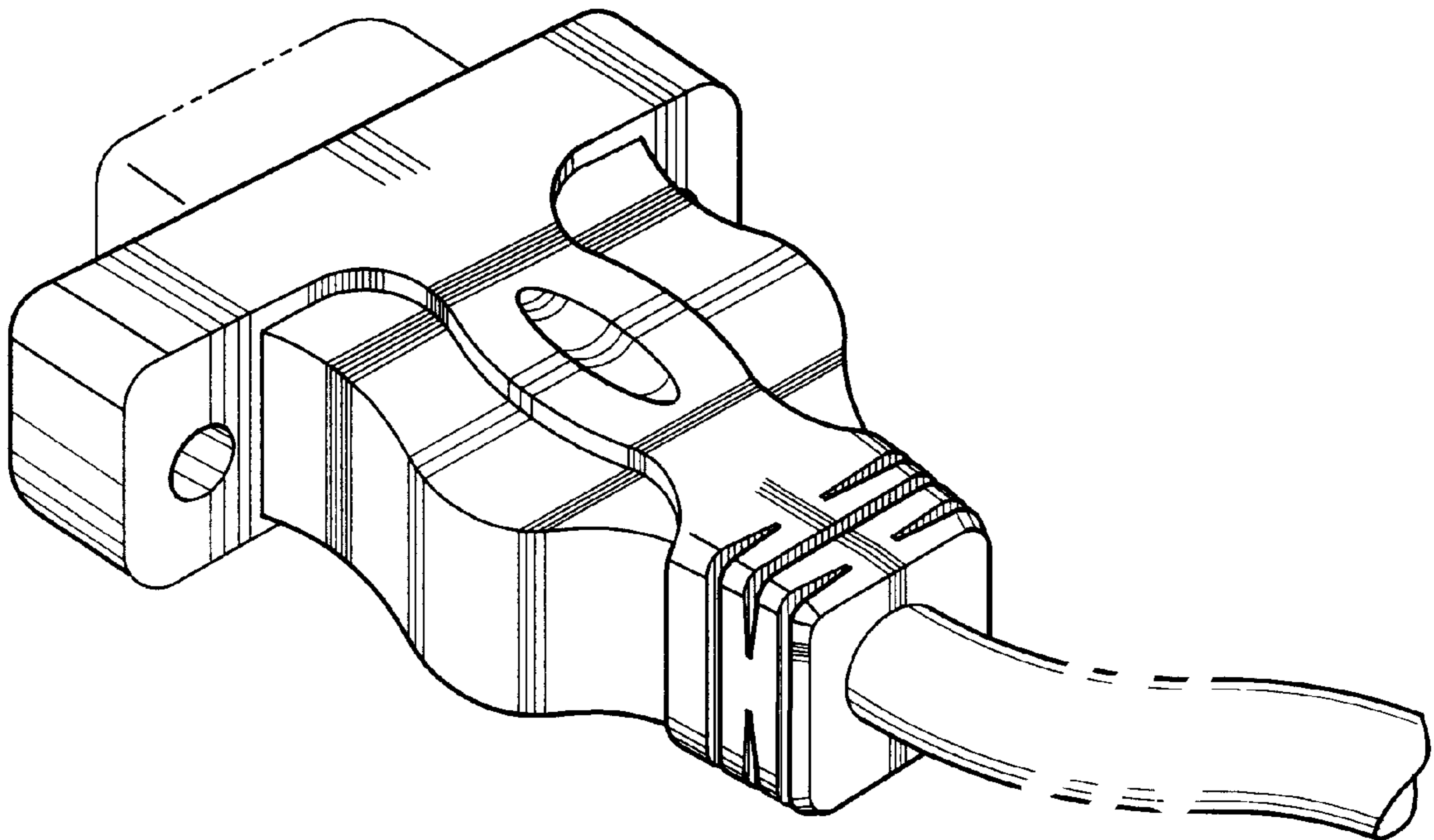
FIG. 5 is a bottom plan view thereof.

FIG. 6 is a rear view thereof; and,

FIG. 7 is a front view thereof.

The broken lines throughout the drawing figures are included for the purpose of illustrating environmental structure only and form no part of the claimed design.

**1 Claim, 2 Drawing Sheets**



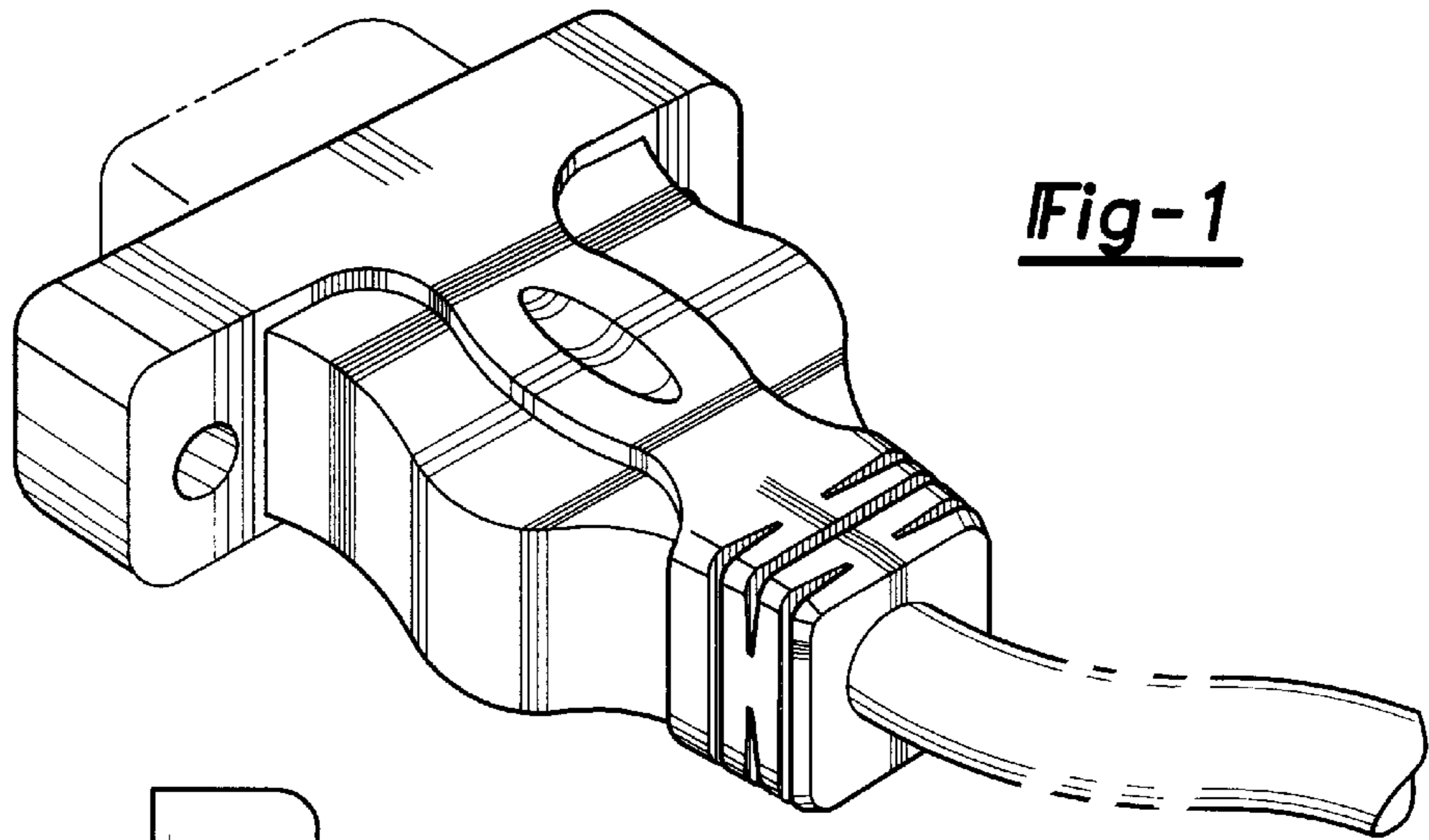


Fig-1

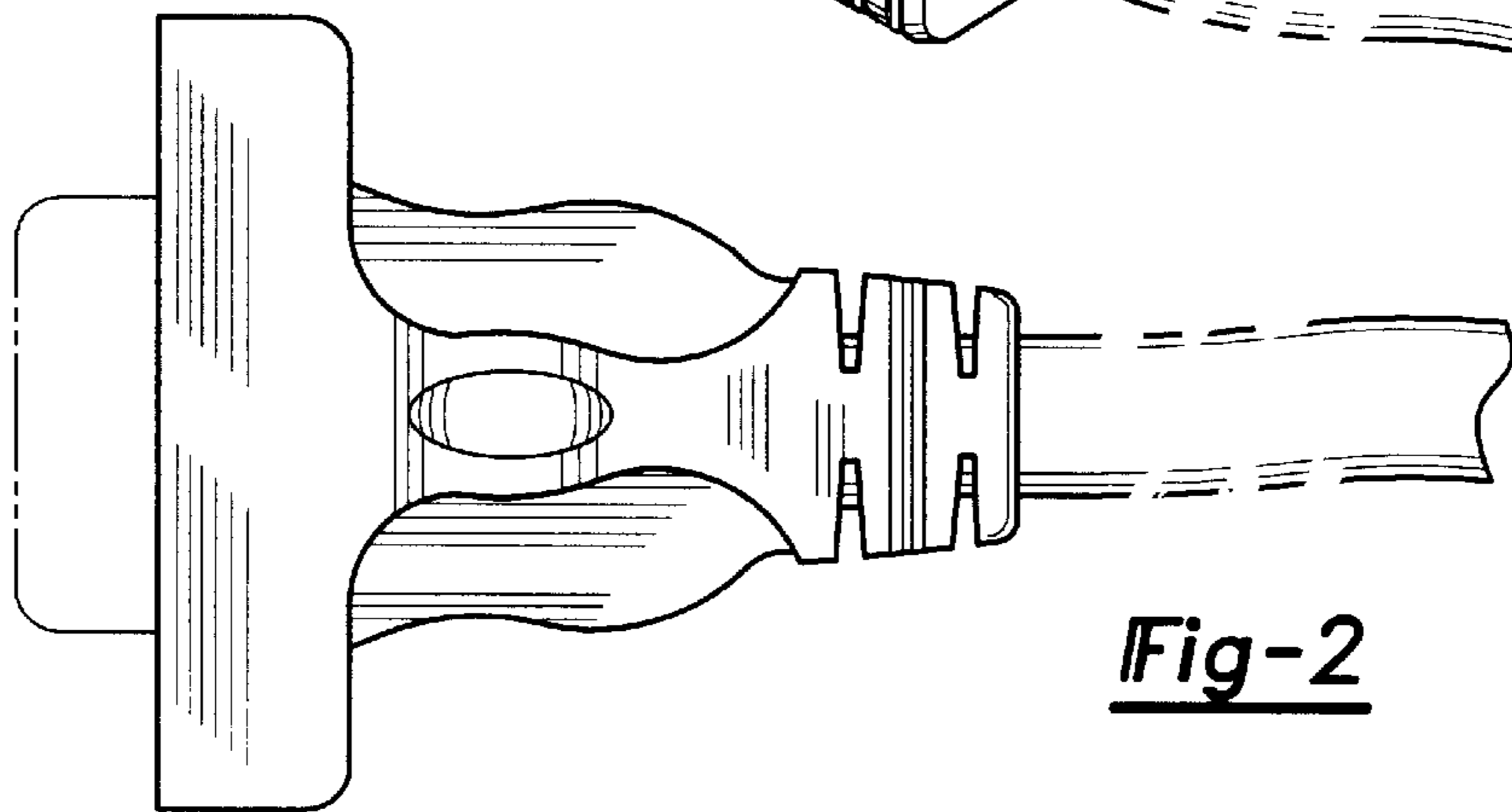


Fig-2

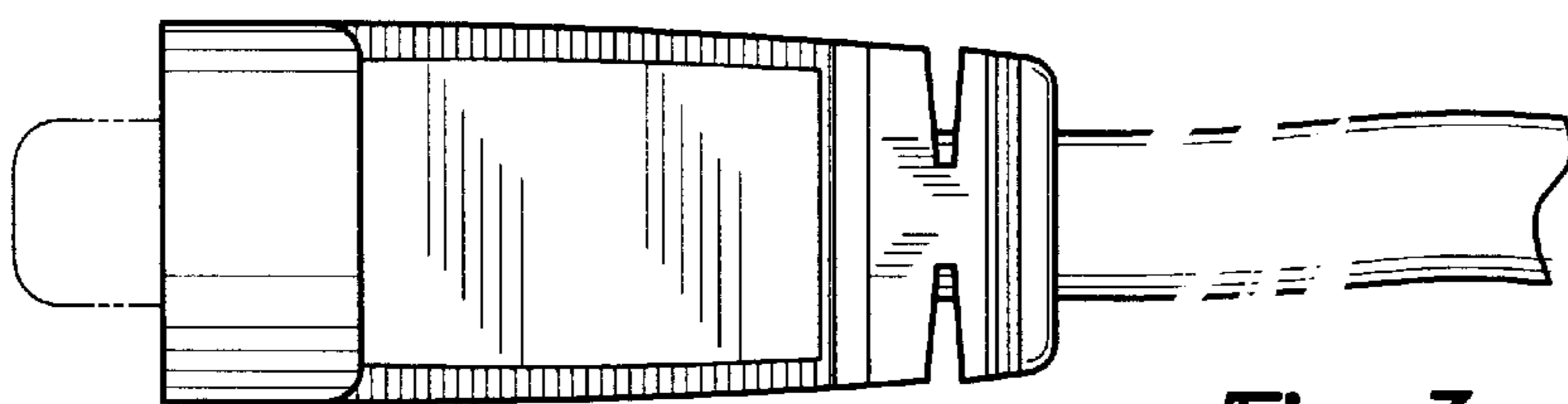


Fig-3

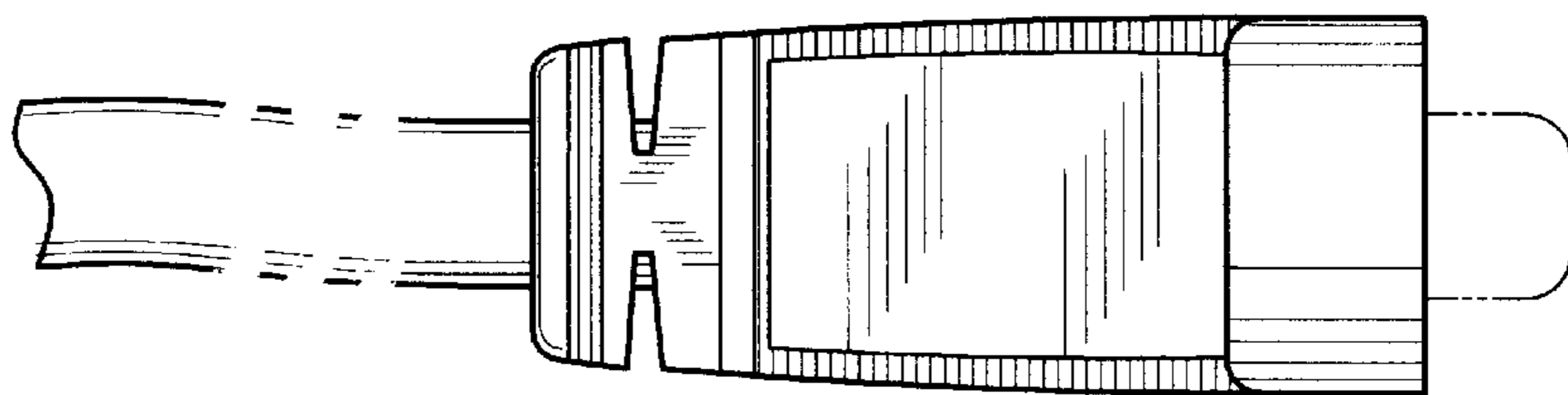


Fig-4

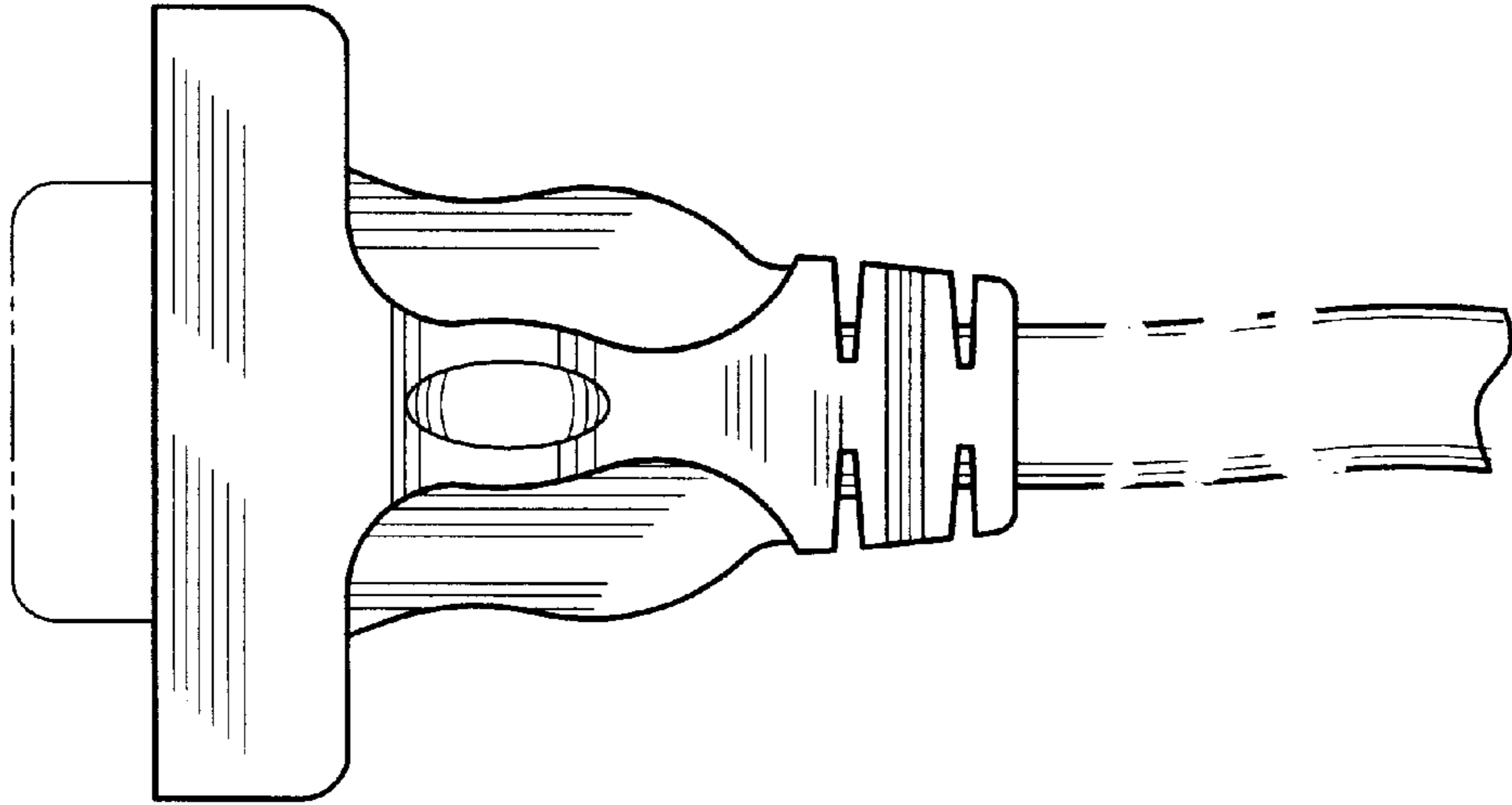


Fig-5

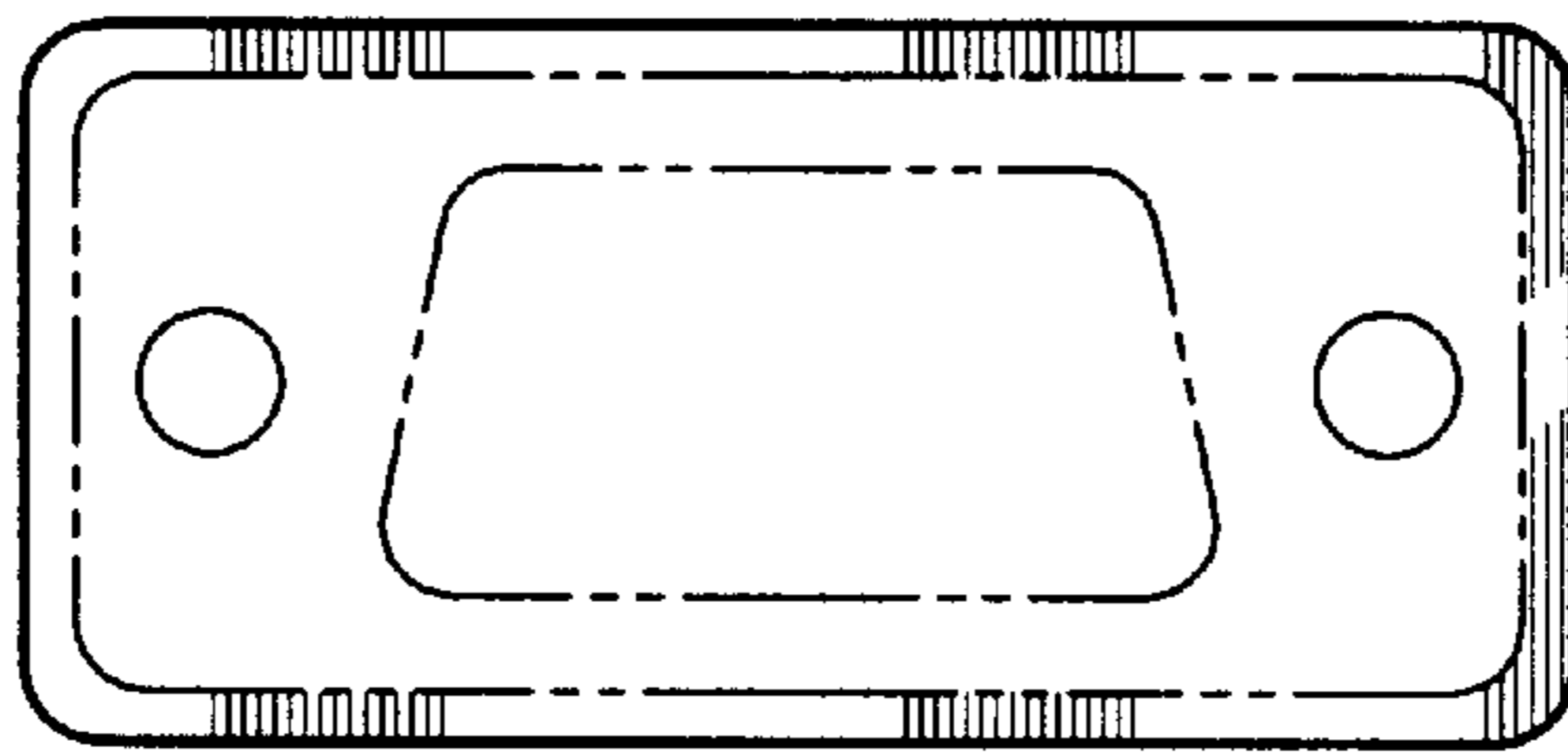


Fig-6

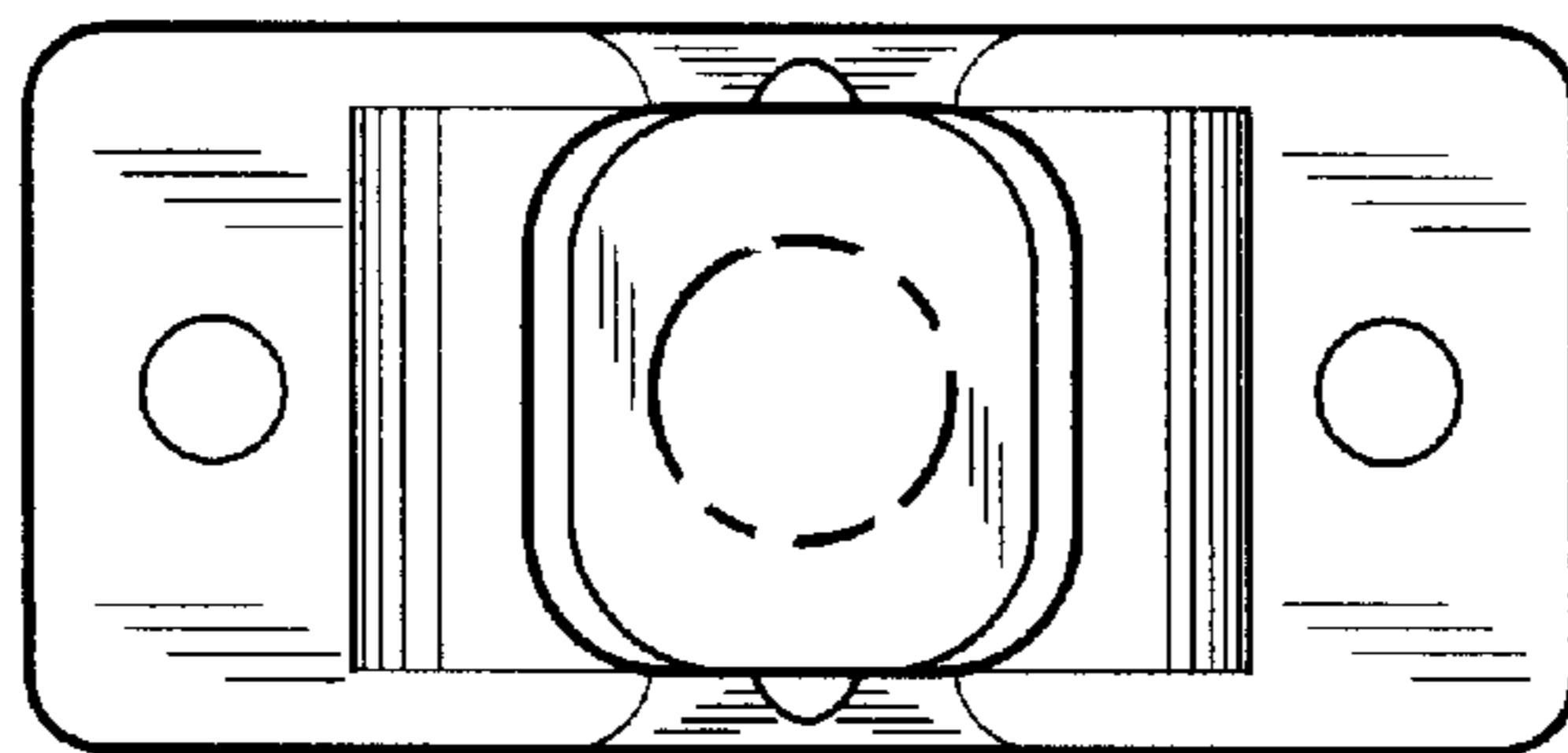


Fig-7