



US00D442552S

(12) **United States Design Patent**
Goto

(10) **Patent No.:** **US D442,552 S**

(45) **Date of Patent:** **** May 22, 2001**

(54) **ELECTRIC CONNECTOR**

(75) Inventor: **Teiyu Goto, Tokyo (JP)**

(73) Assignee: **Sony Computer Entertainment Inc., Tokyo (JP)**

(**) Term: **14 Years**

(21) Appl. No.: **29/123,689**

(22) Filed: **May 24, 2000**

(30) **Foreign Application Priority Data**

Jan. 14, 2000 (JP) 12-000333

(51) **LOC (7) Cl.** **13-03**

(52) **U.S. Cl.** **D13/147**

(58) **Field of Search** D13/146, 147;
439/49, 638, 639, 650, 654

(56) **References Cited**

U.S. PATENT DOCUMENTS

D. 381,957	*	8/1997	Goto	D13/147
D. 395,035	*	6/1998	Goto	D13/147
D. 400,858	*	11/1998	Goto	D13/147
D. 410,433	*	6/1999	Goto	D13/147
5,567,180	*	10/1996	Seo	439/638
5,655,933	*	8/1997	Skowronski	439/654

* cited by examiner

Primary Examiner—Joel Sincavage

(74) *Attorney, Agent, or Firm*—Rader, Fishman & Grauer

(57) **CLAIM**

The ornamental design for an electric connector, as shown and described.

DESCRIPTION

FIG. 1 is a top, right, rear perspective view of an electric connector showing my design;

FIG. 2 is a top plan view thereof;

FIG. 3 is a bottom plan view thereof;

FIG. 4 is a front elevational view thereof, a rear elevational view thereof being a mirror image;

FIG. 5 is a right side elevational view thereof; and

FIG. 6 is a left side elevational view thereof.

FIG. 7 is a reference perspective view thereof in the using condition.

FIG. 8 is a top, right, rear perspective view of another embodiment of an electric connector showing my design;

FIG. 9 is a top plan view thereof;

FIG. 10 is a bottom plan view thereof; and,

FIG. 11 is a front elevational view thereof, a rear elevational view thereof being a mirror image.

The rest of views of the embodiment of FIG. 8 are the same as those of the embodiment of FIG. 1. Portions in broken lines are for illustrative purpose only and form no part of claimed design.

1 Claim, 6 Drawing Sheets

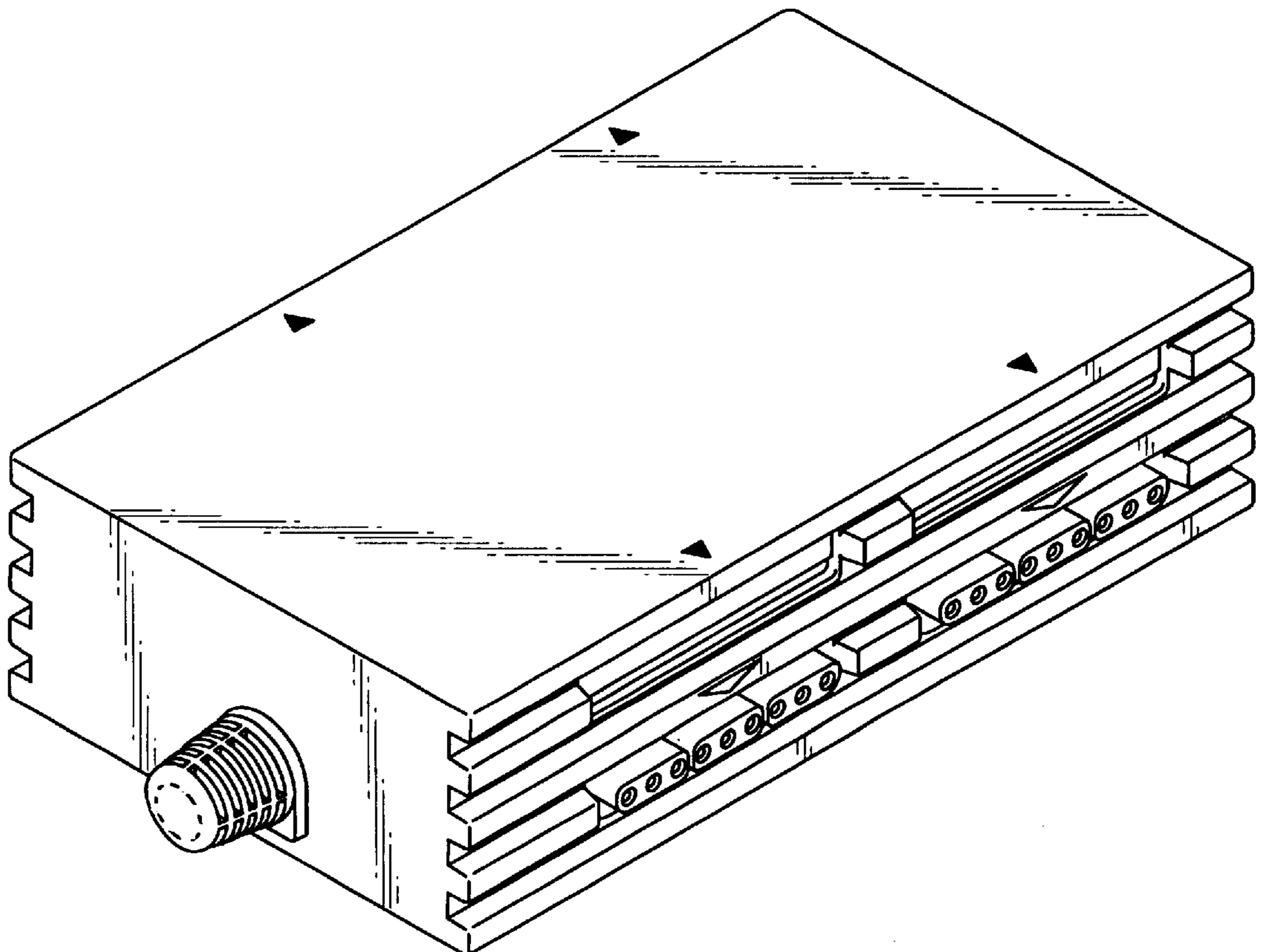


FIG. 7

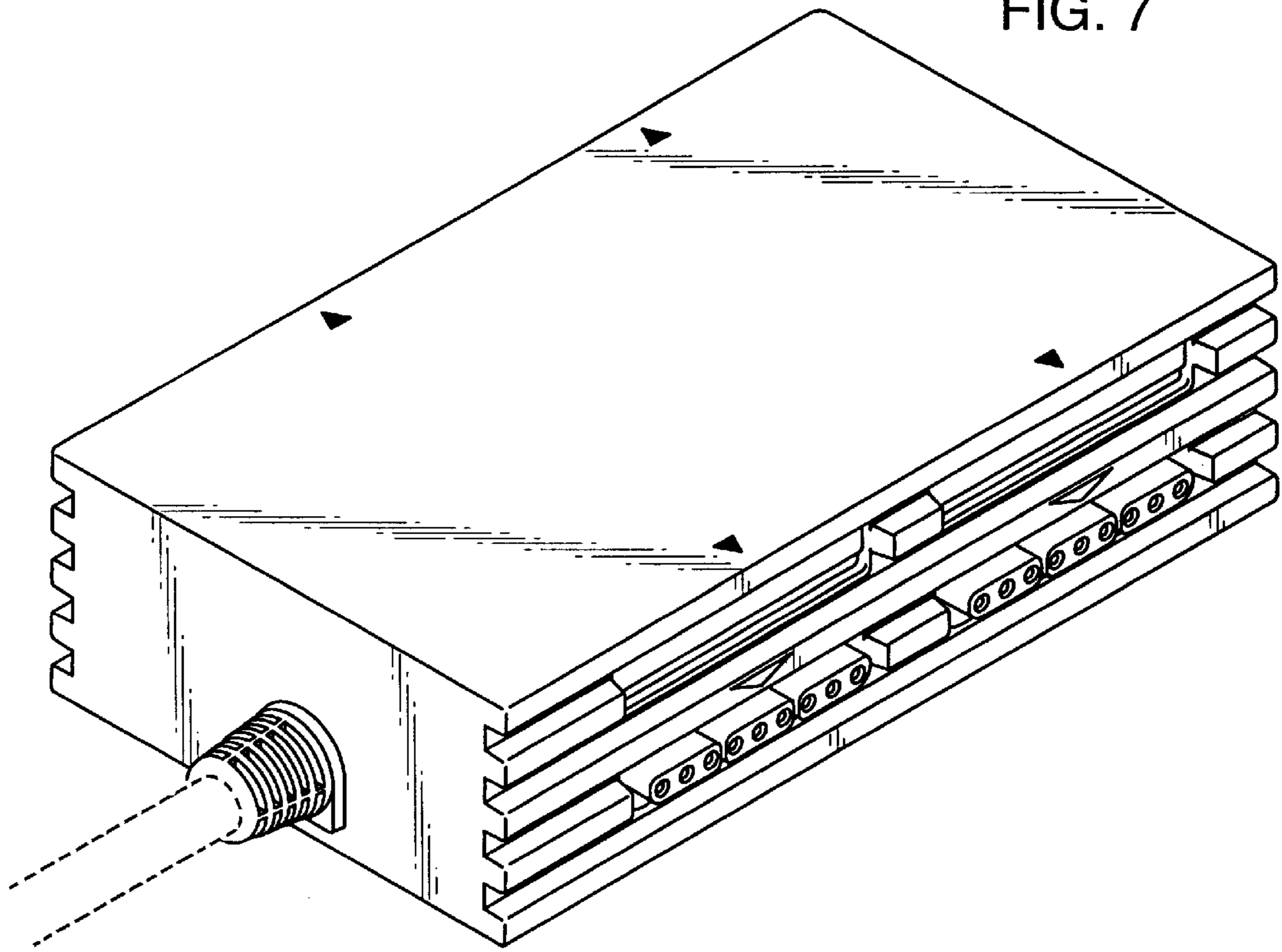


FIG. 1

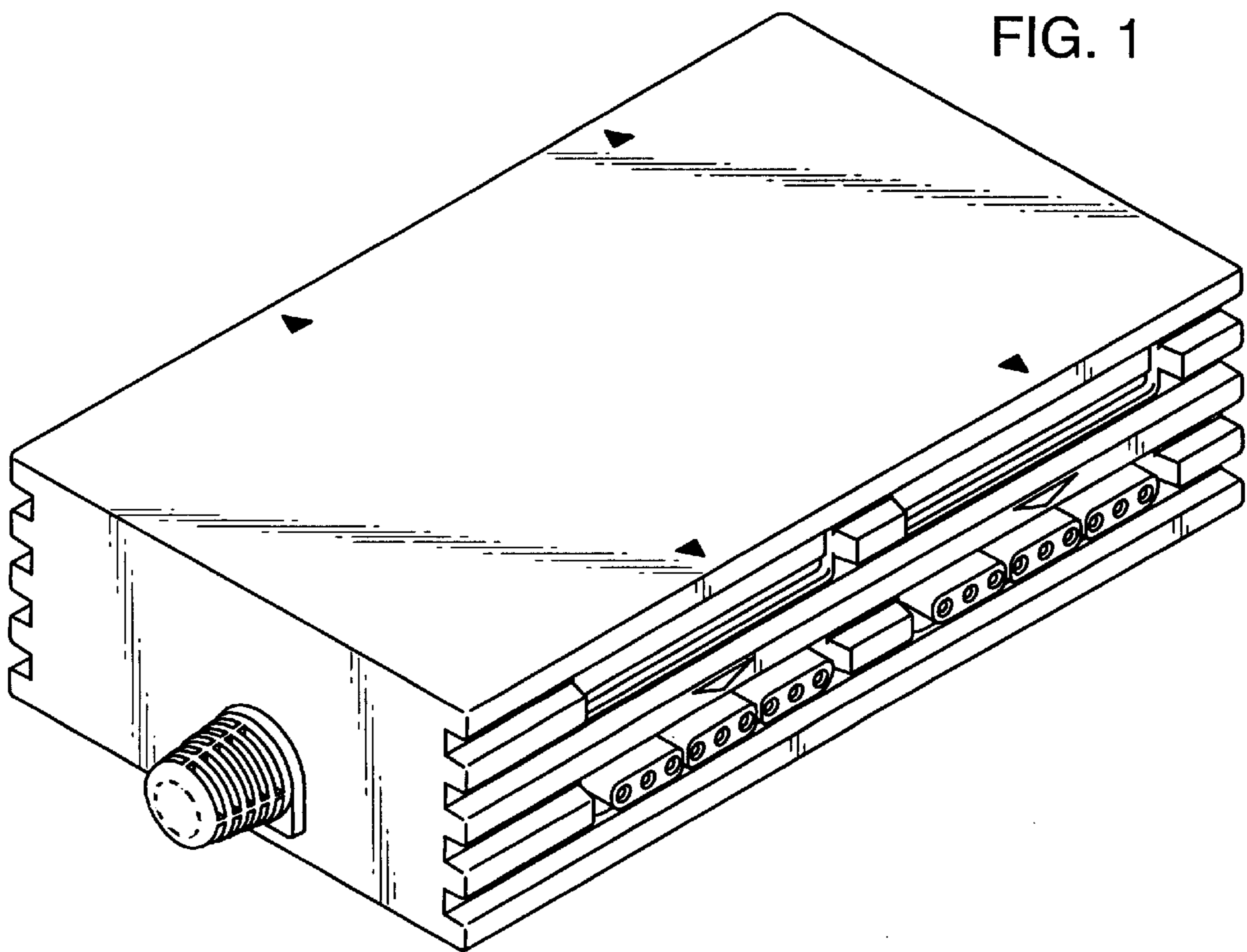


FIG. 2

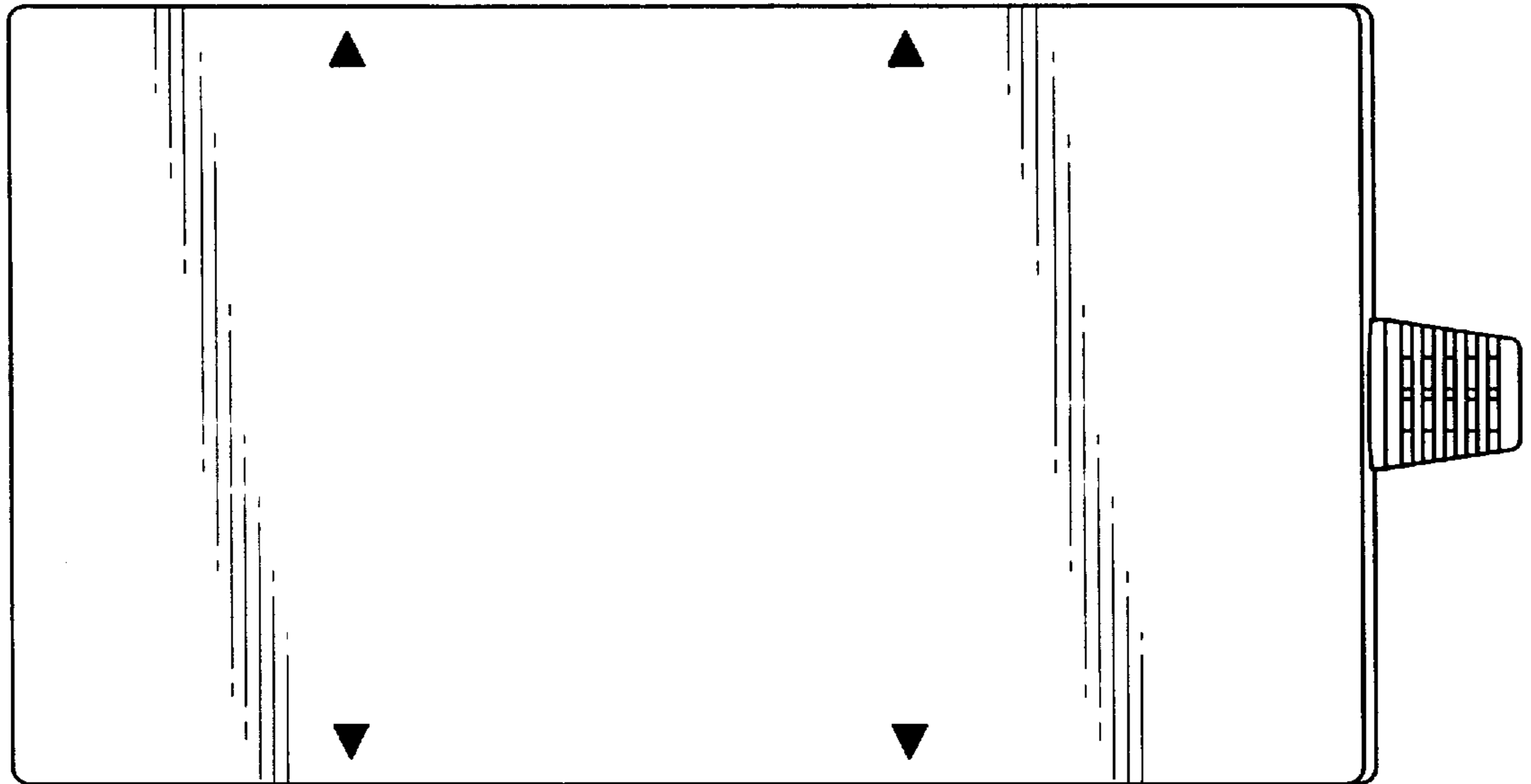


FIG. 3

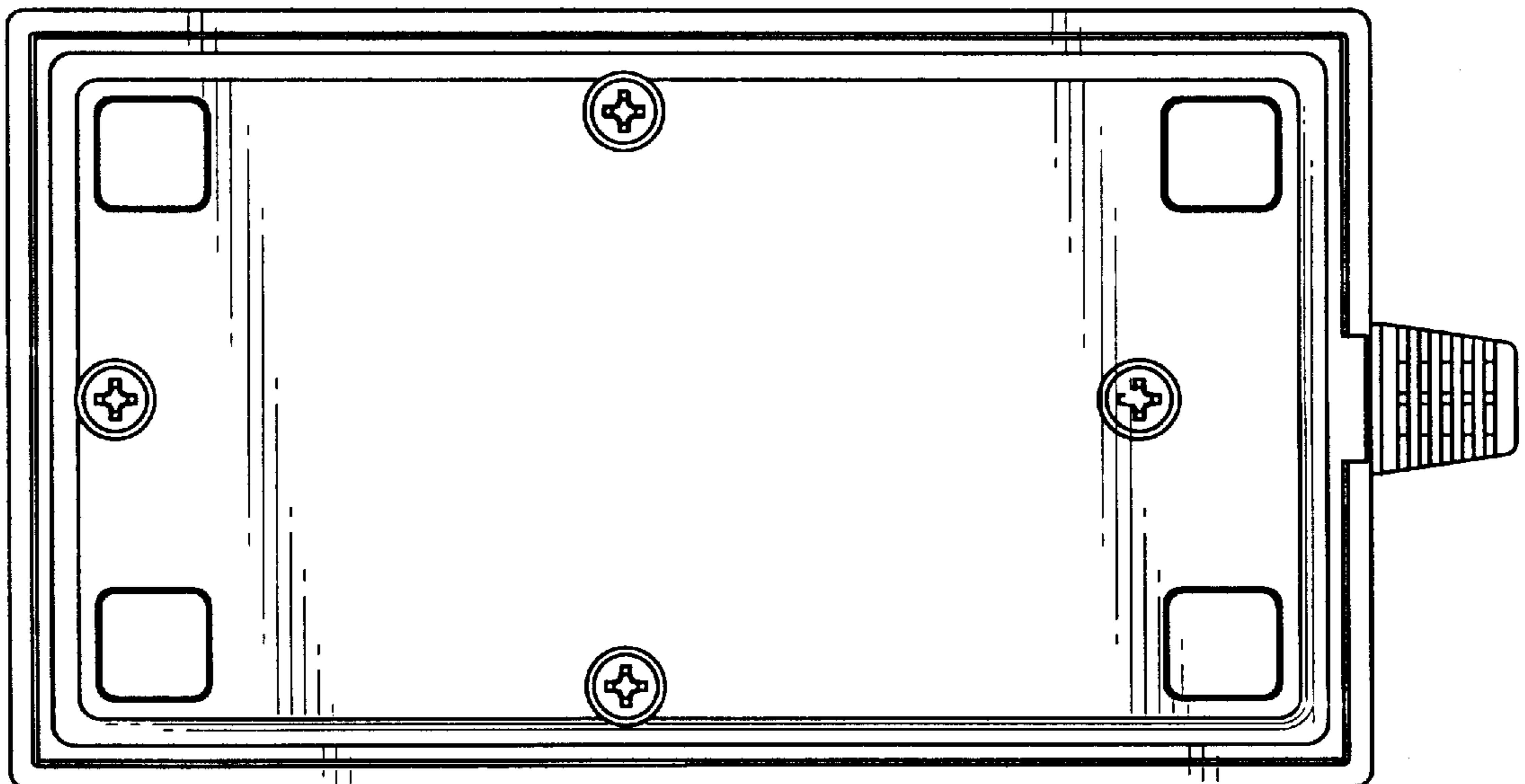


FIG. 4

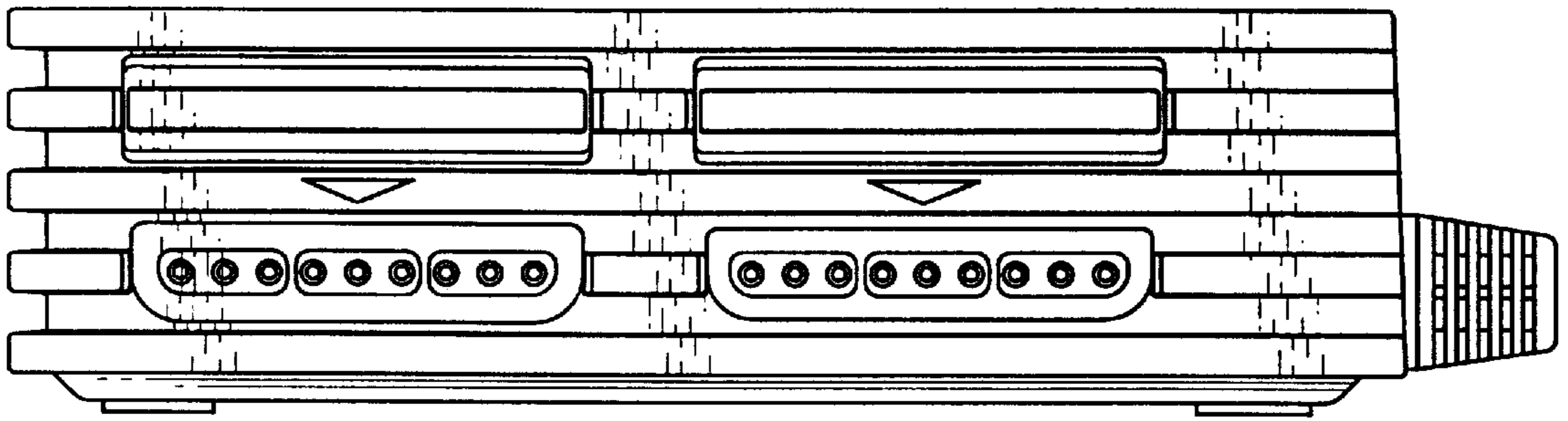


FIG. 5

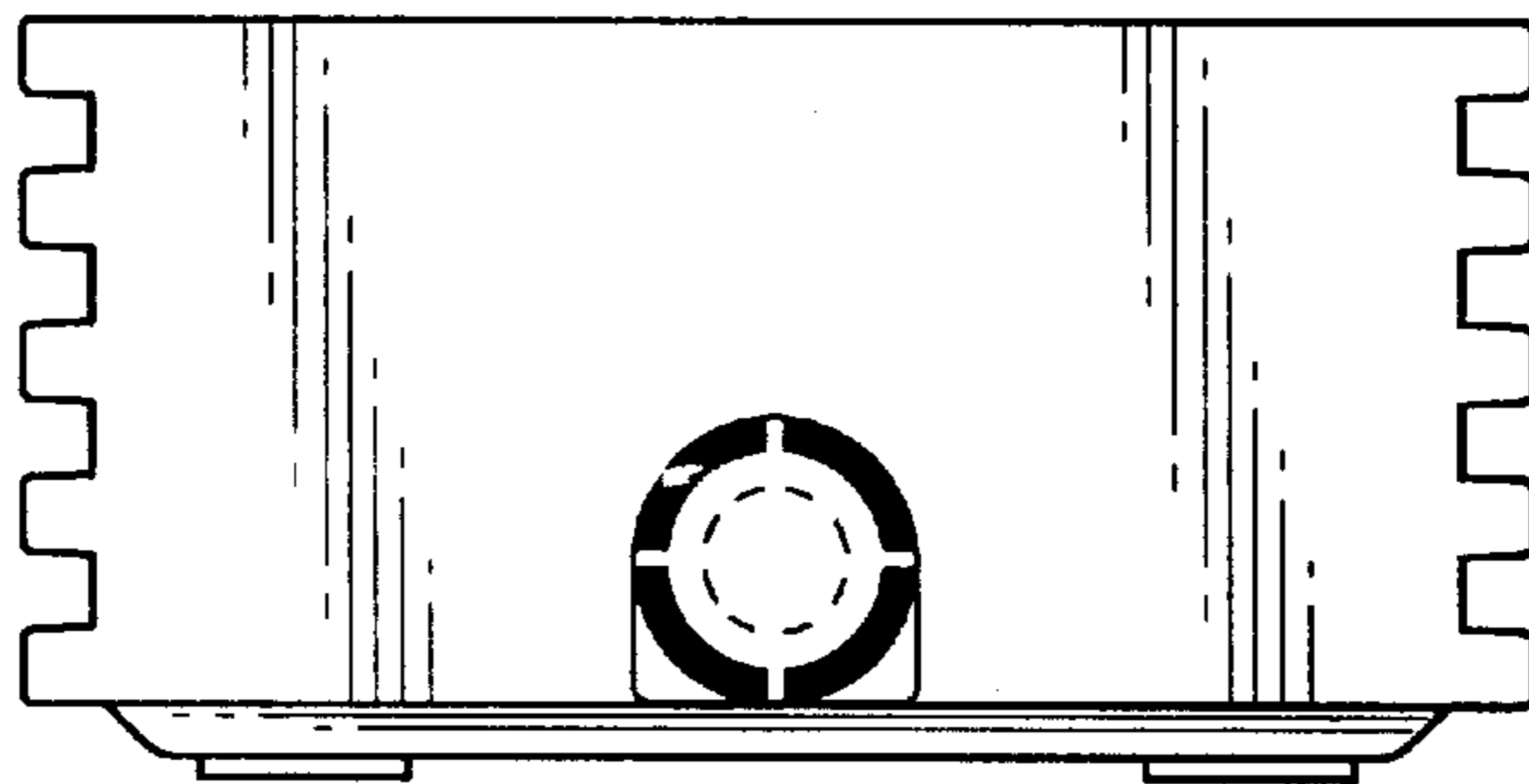
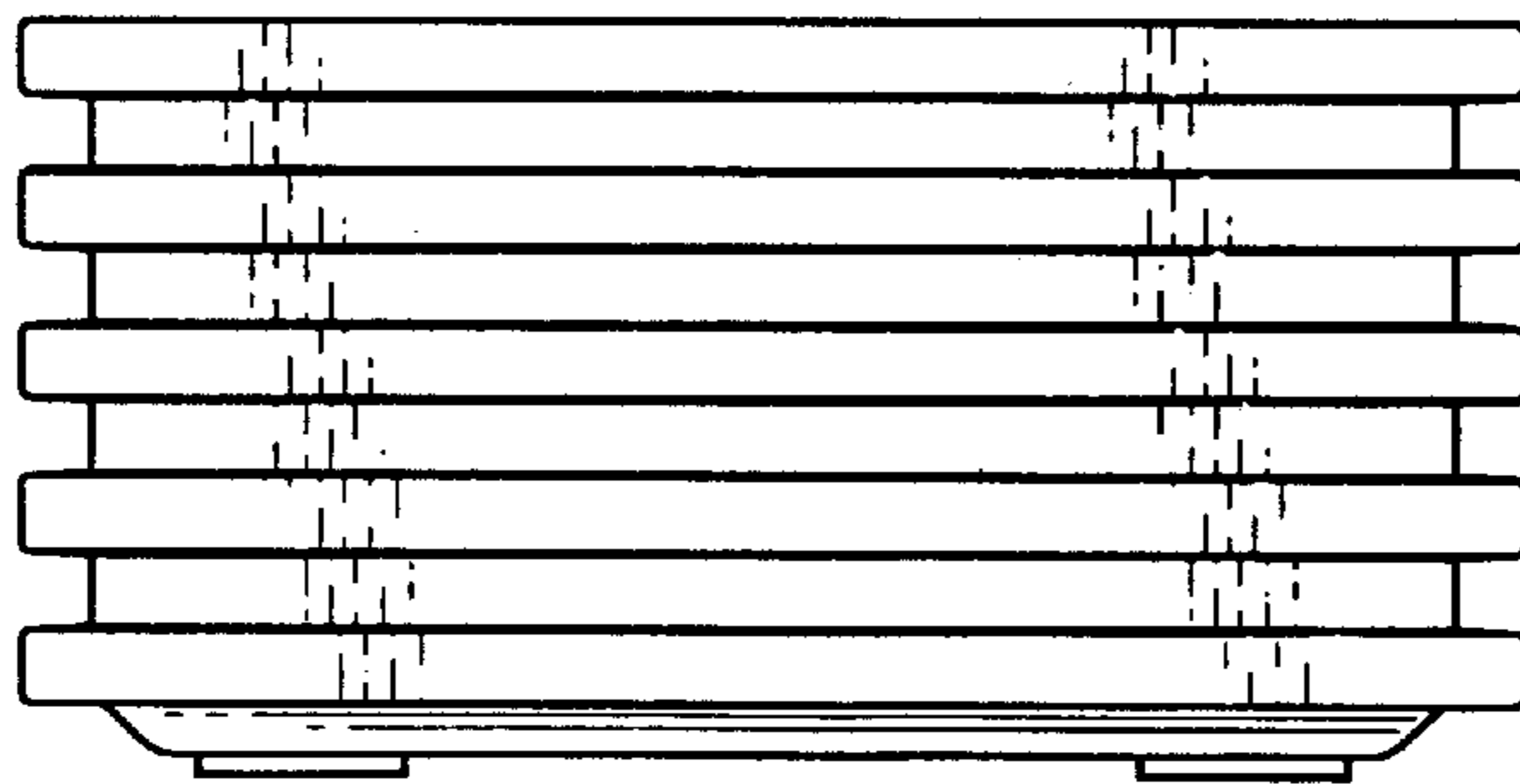


FIG. 6



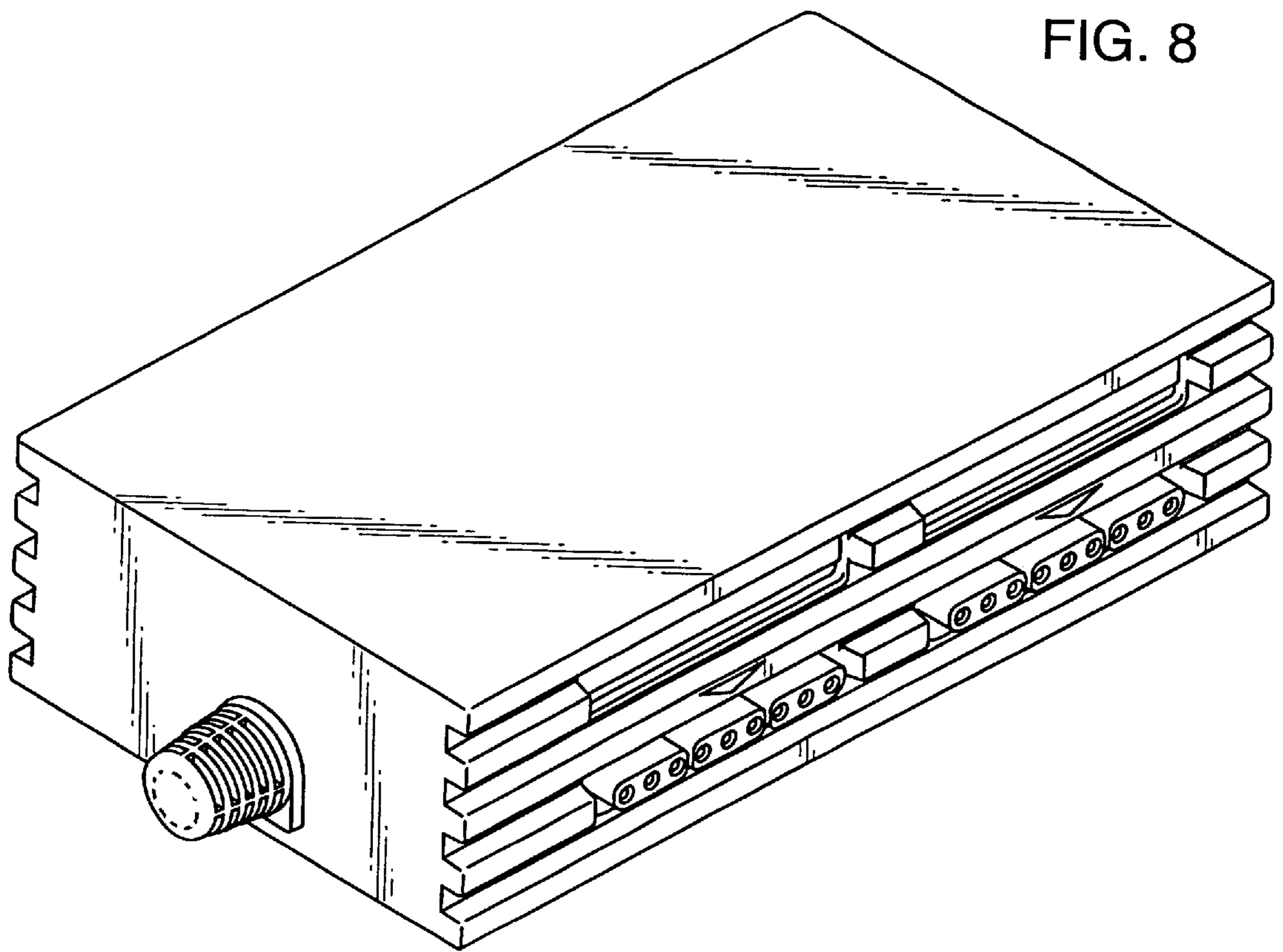


FIG. 8

FIG. 9

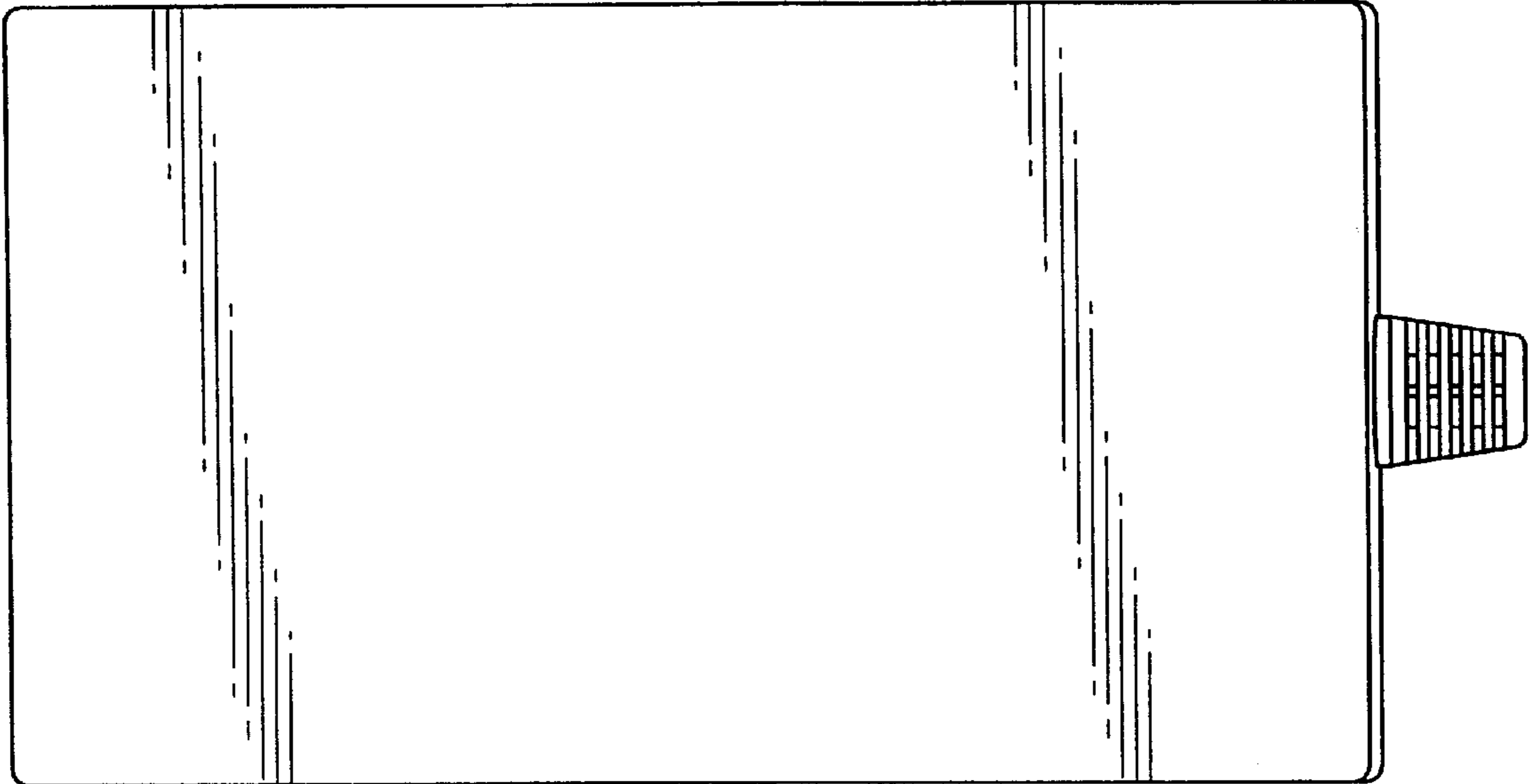


FIG. 10

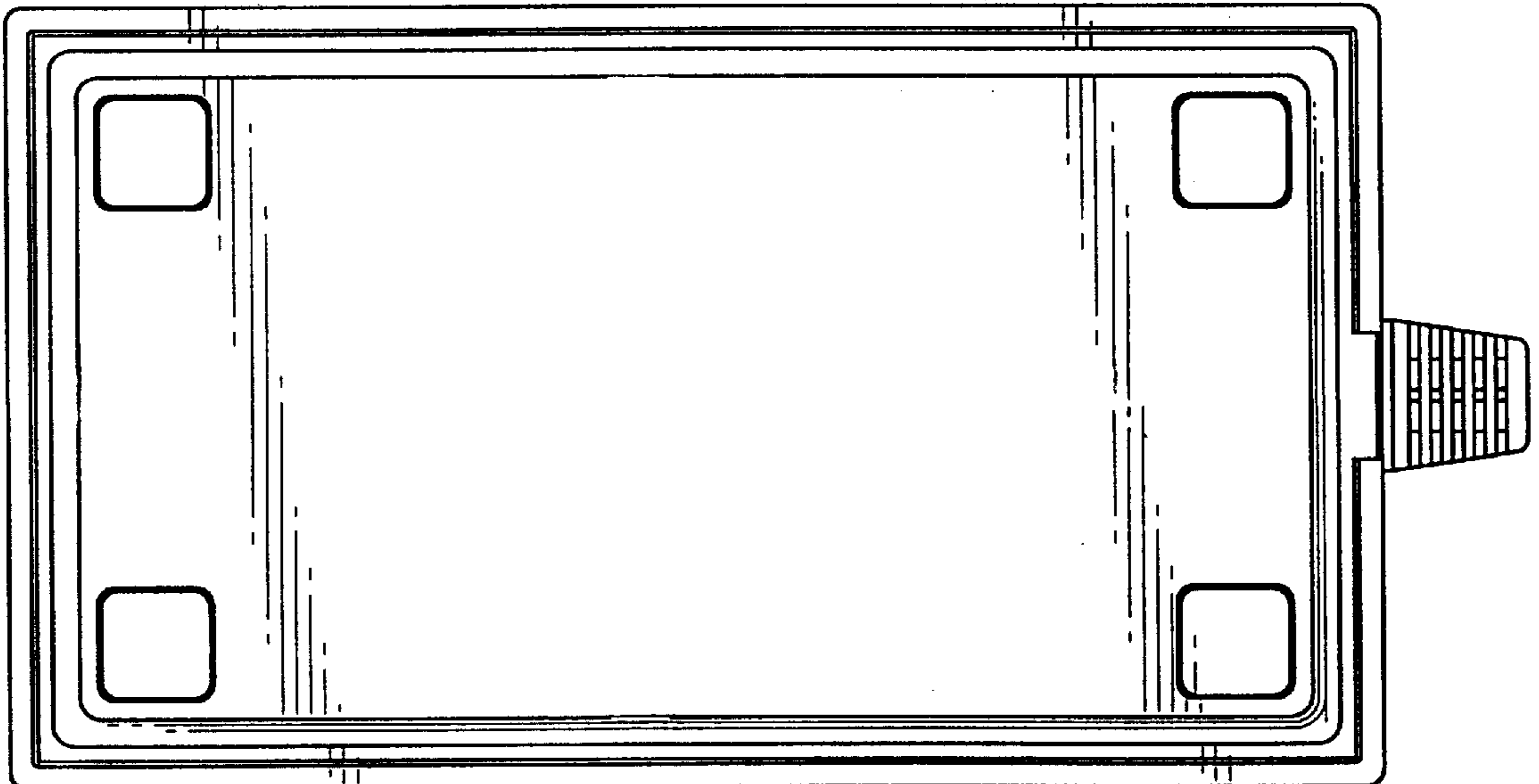


FIG. 11

