



US00D442550S

(12) **United States Design Patent**
Tong et al.

(10) **Patent No.:** **US D442,550 S**

(45) **Date of Patent:** **** May 22, 2001**

- (54) **MULTIPLE OUTLET WALL TAP**
- (75) Inventors: **Eric Tong; Kannyn Macrae**, both of
Los Angeles, CA (US)
- (73) Assignee: **Belkin Components**, Compton, CA
(US)
- (**) Term: **14 Years**
- (21) Appl. No.: **29/123,382**
- (22) Filed: **May 17, 2000**
- (51) **LOC (7) Cl.** **13-03**
- (52) **U.S. Cl.** **D13/137.2**
- (58) **Field of Search** D13/137.1, 137.2,
D13/139.1; 439/638, 650-655, 682, 954,
107; 174/67

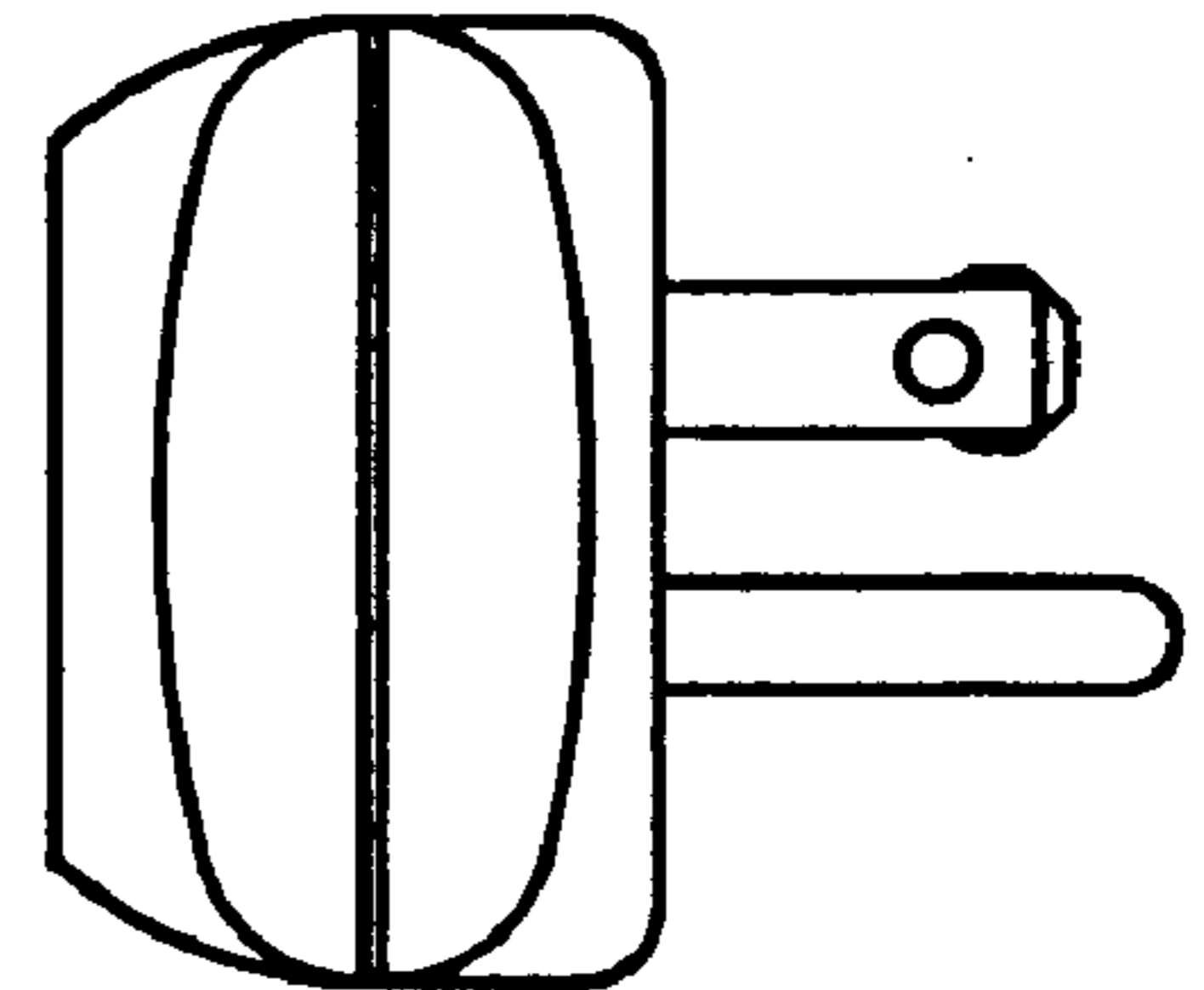
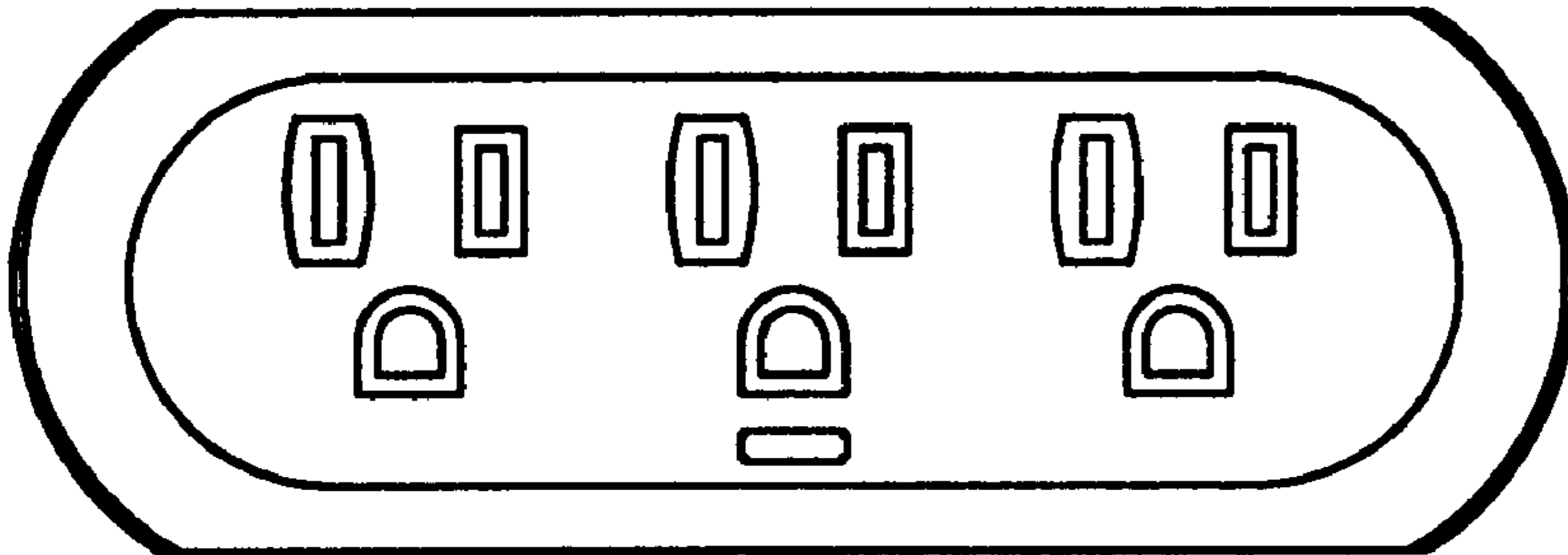
- (56) **References Cited**
- U.S. PATENT DOCUMENTS**
- D. 277,370 * 1/1985 Gehr D13/137.2

2,636,096 * 4/1953 Di Blasi D13/137.2 X
* cited by examiner
Primary Examiner—Susan J. Lucas
Assistant Examiner—Jennifer Rivard
(74) *Attorney, Agent, or Firm*—Bryan Cave LLP

(57) **CLAIM**
We claim the ornamental design for the multiple outlet wall tap.

DESCRIPTION
FIG. 1 is a top view of the multiple outlet wall tap design showing my new design;
FIG. 2 is a front view of the multiple outlet wall tap design of FIG. 1;
FIG. 3 is a back view of the multiple outlet wall tap design of FIG. 1; and,
FIG. 4 is a right side view of the multiple outlet wall tap cord design of FIG. 1, where the left side view is identical to that of the right side view.

1 Claim, 1 Drawing Sheet



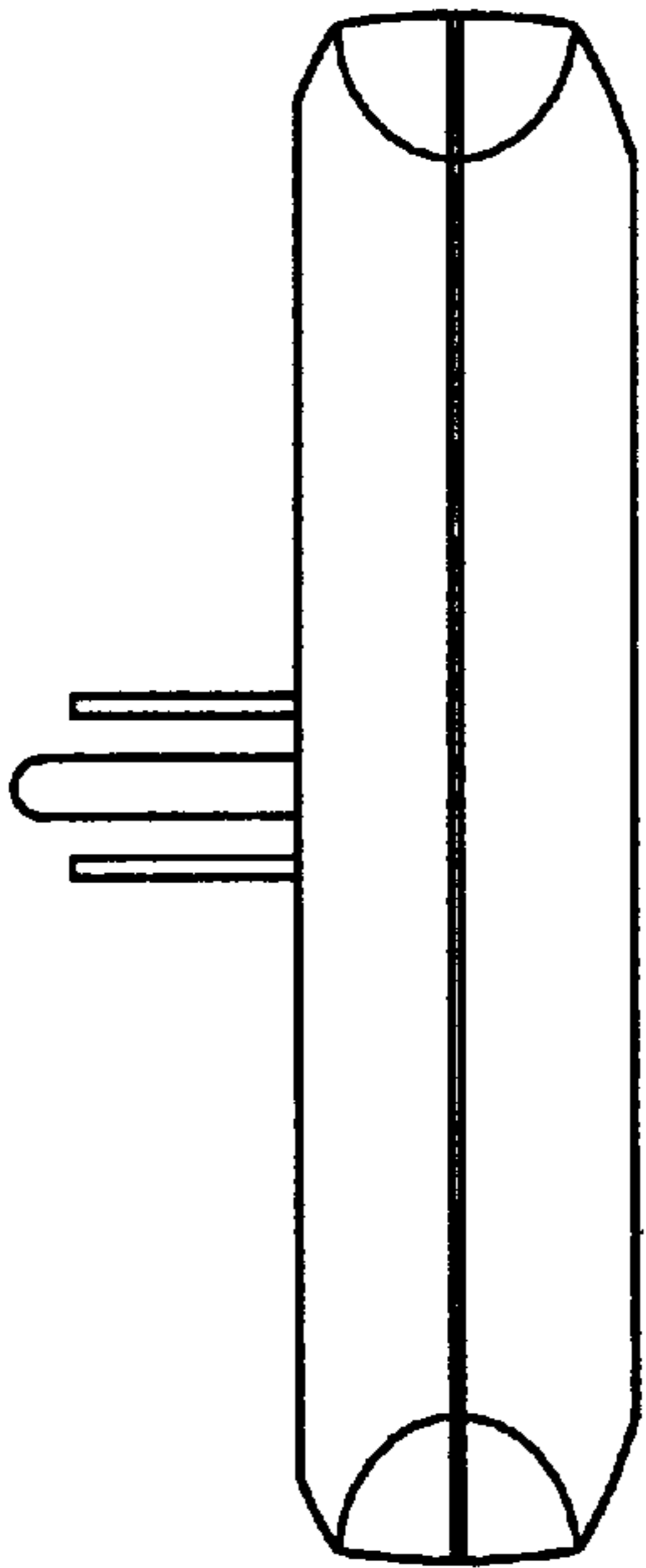


FIG. 1

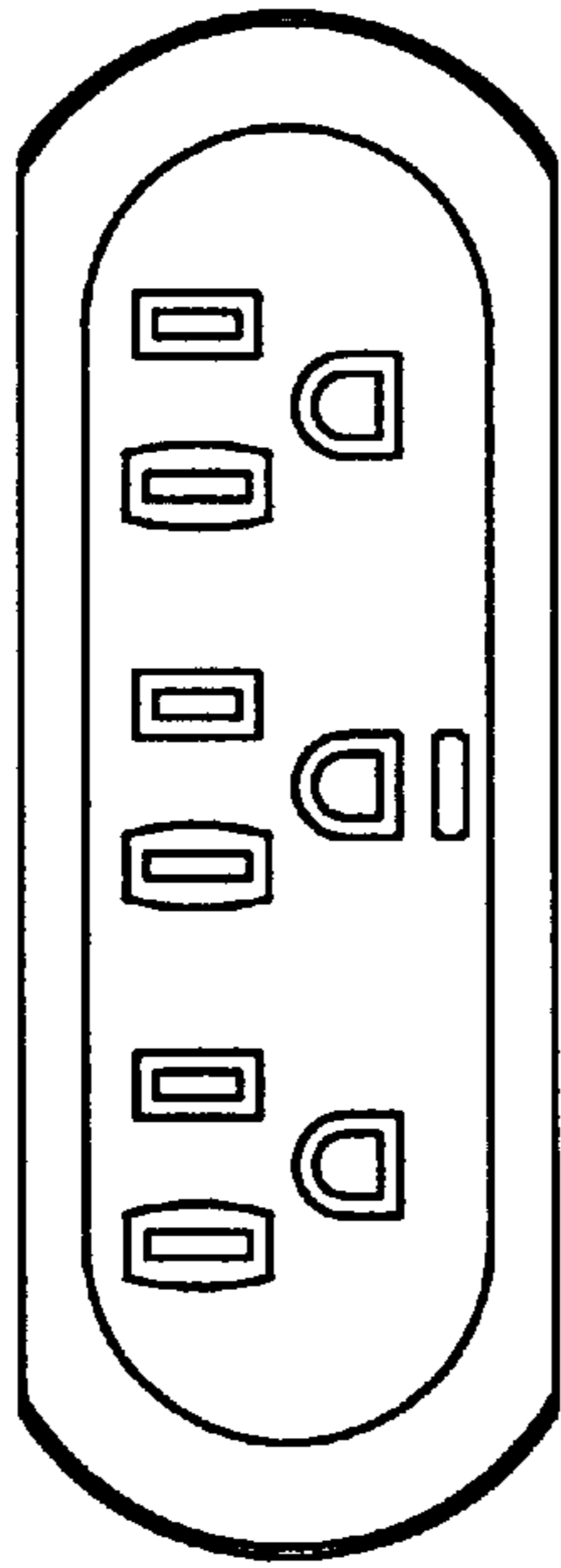


FIG. 2

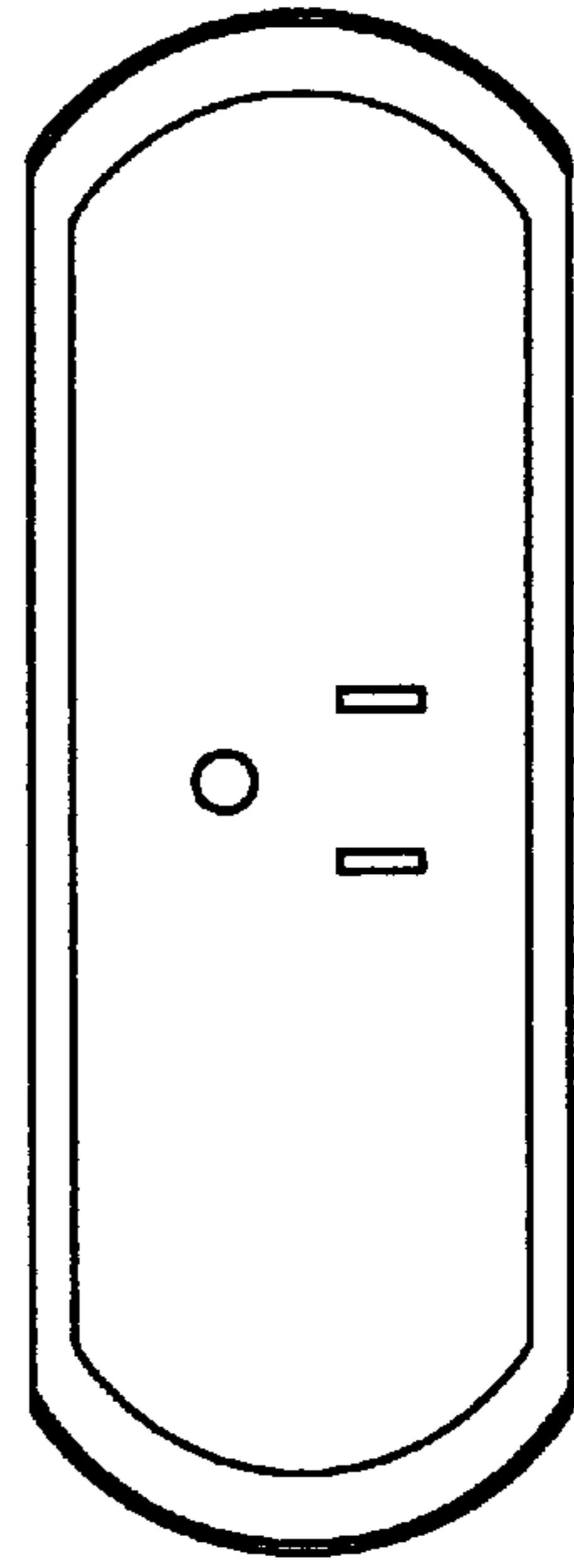


FIG. 3

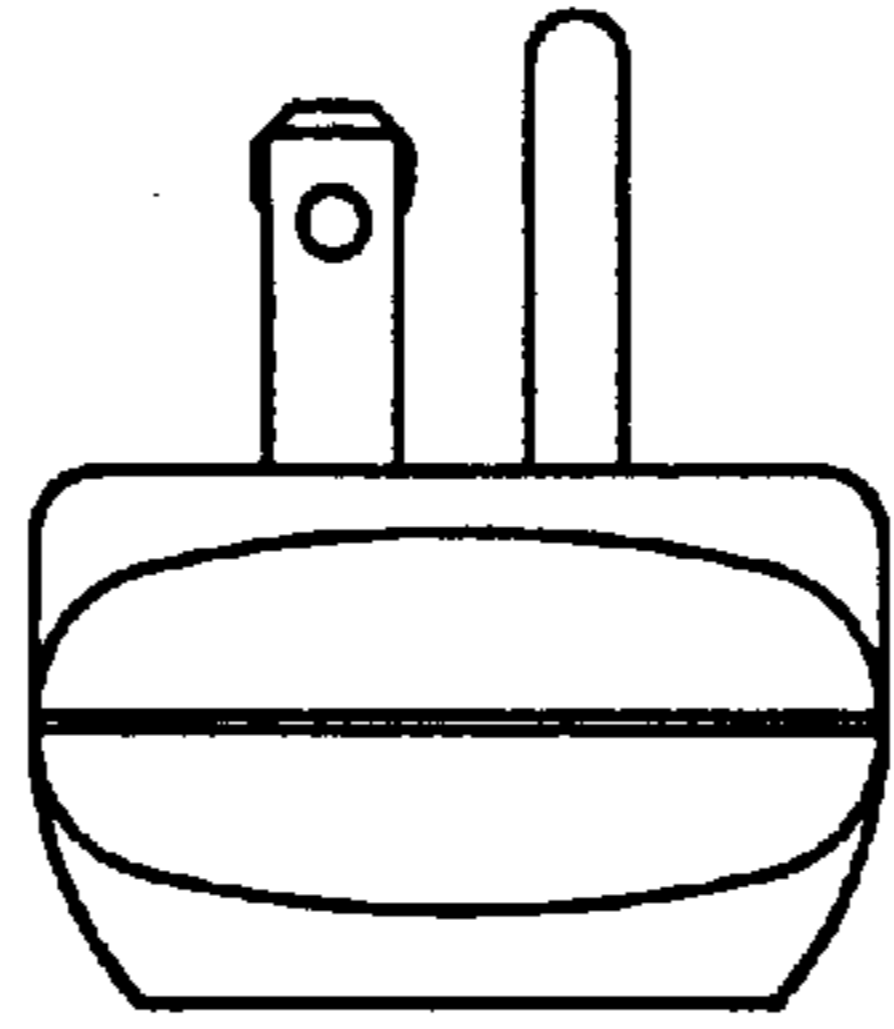


FIG. 4