



US00D442548S

(12) **United States Design Patent**
Sasaoka

(10) **Patent No.:** **US D442,548 S**

(45) **Date of Patent:** **** May 22, 2001**

(54) **SOLAR BATTERY MODULE**
(75) Inventor: **Makoto Sasaoka**, Kyotanabe (JP)
(73) Assignee: **Canon Kabushiki Kaisha**, Tokyo (JP)
(**) Term: **14 Years**

5,647,915	*	7/1997	Zukerman	136/251
5,681,402	*	10/1997	Ichinose et al.	136/256
5,968,287	*	10/1999	Nath	136/251
6,025,555	*	2/2000	Mori et al.	136/251
6,160,215	*	12/2000	Curtin	136/244

* cited by examiner

(21) Appl. No.: **29/128,148**
(22) Filed: **Aug. 21, 2000**
(30) **Foreign Application Priority Data**

Feb. 29, 2000 (JP) 12-008845

(51) **LOC (7) Cl.** **13-02**
(52) **U.S. Cl.** **D13/119; D13/102**
(58) **Field of Search** **D13/102, 103,**
D13/119; 136/243-251

Primary Examiner—Joel Sincavage

(74) *Attorney, Agent, or Firm*—Fitzpatrick, Cella, Harper & Scinto

(57) **CLAIM**

The ornamental design for a solar battery module, as shown and described.

DESCRIPTION

FIG. 1 is a front view of a solar battery module, showing my new design;
FIG. 2 is a rear view thereof;
FIG. 3 is a top plan view thereof;
FIG. 4 is a bottom plan view thereof;
FIG. 5 is a left side view thereof;
FIG. 6 is a right side view thereof; and,
FIG. 7 is a perspective view thereof.

(56) **References Cited**
U.S. PATENT DOCUMENTS
D. 283,536 * 4/1986 Fossum D13/102
D. 380,441 * 7/1997 Fukuhara et al. D13/102
D. 389,454 * 1/1998 Mori D13/102
5,330,583 * 7/1994 Asai et al. 136/251

1 Claim, 3 Drawing Sheets

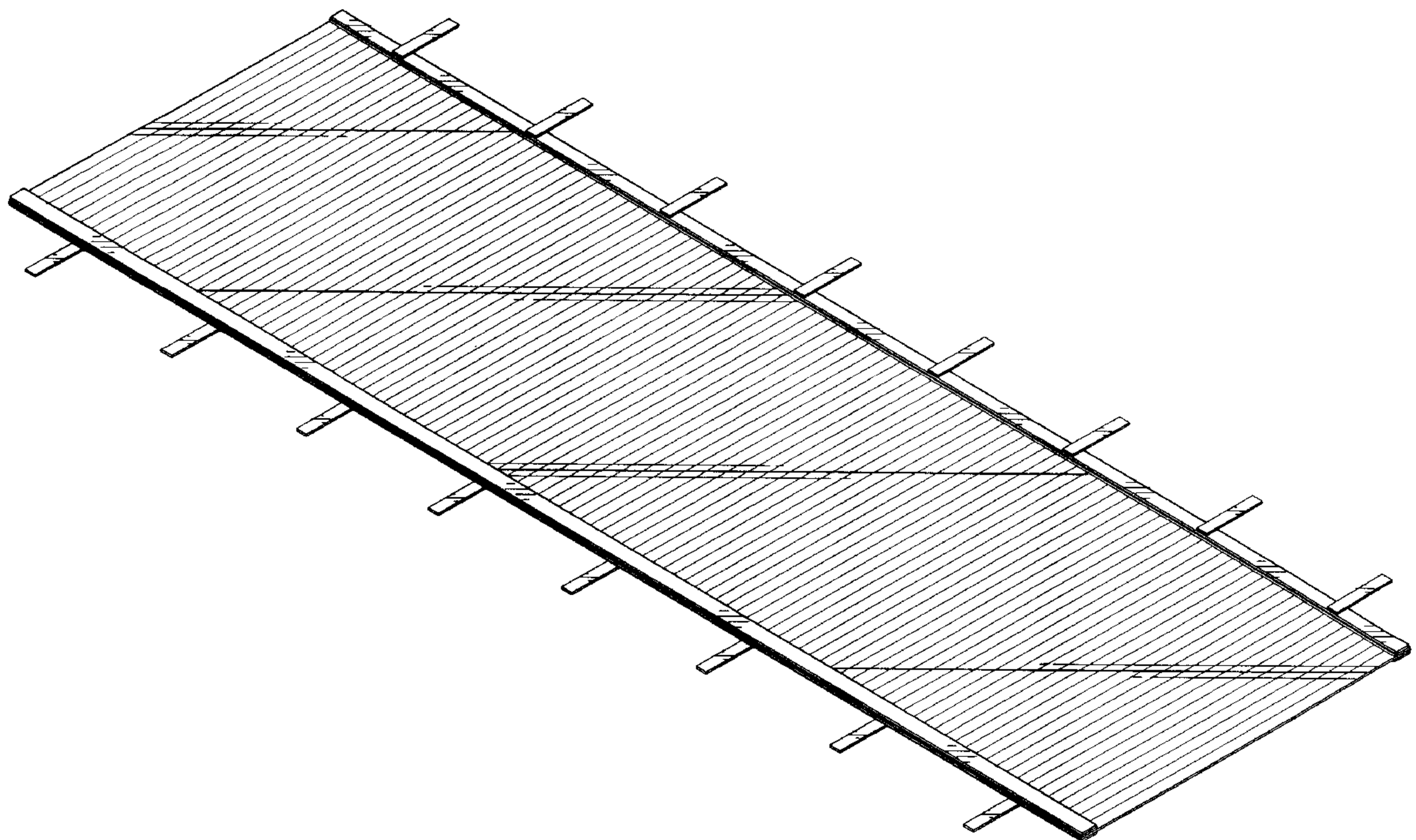


FIG. 1



FIG. 2



FIG. 3

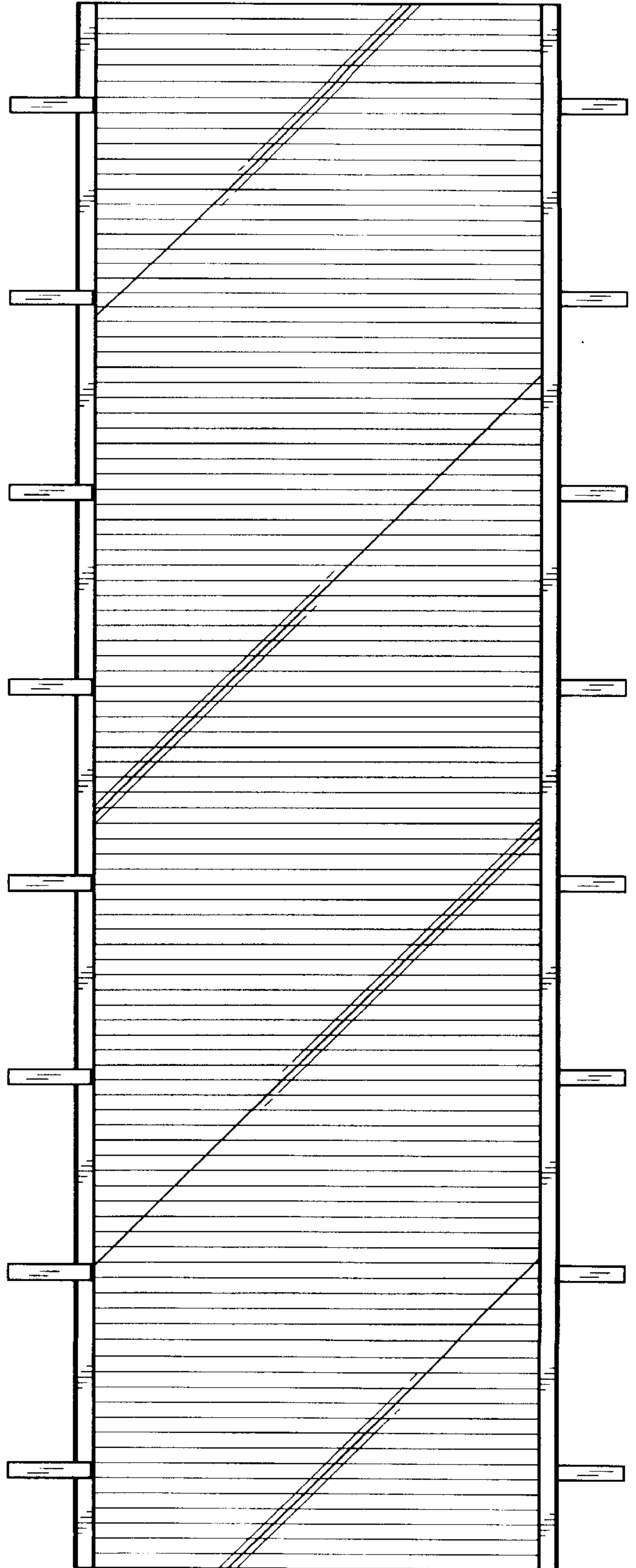


FIG. 4

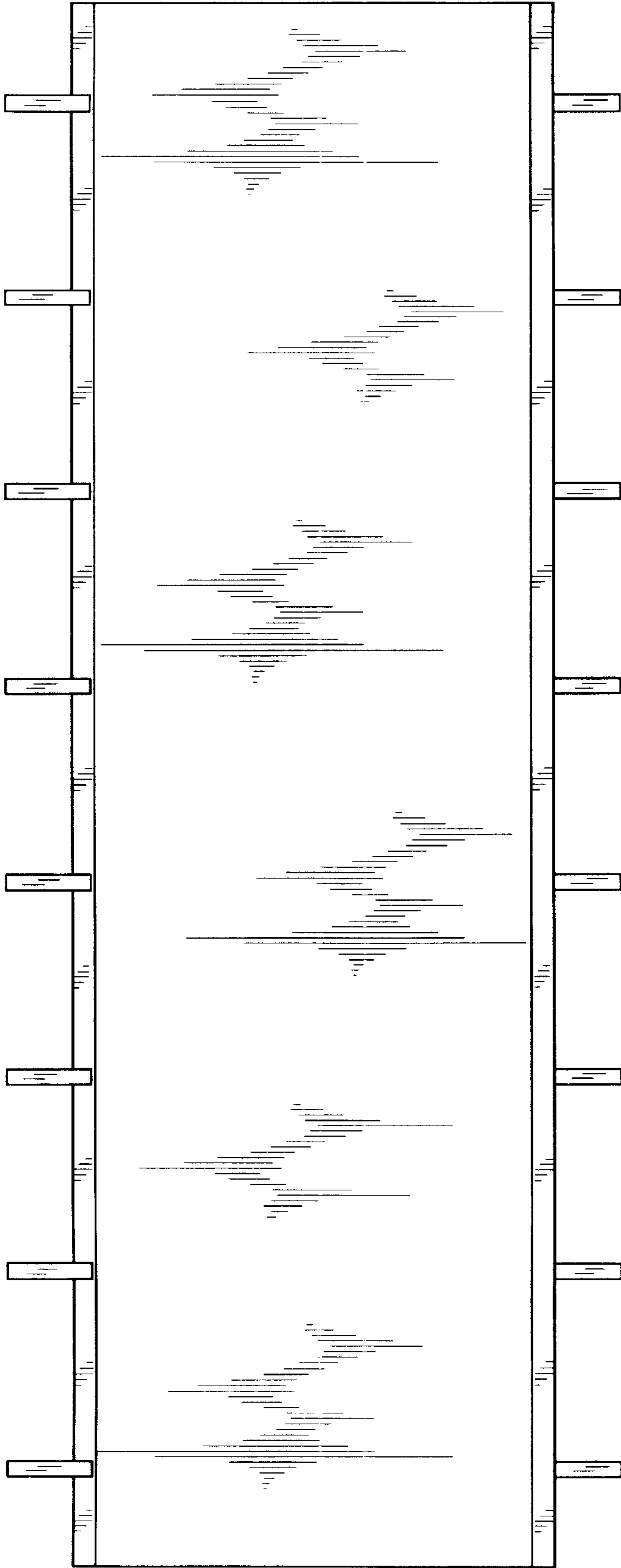


FIG. 5



FIG. 6



FIG. 7

