



US00D442547S

(12) **United States Design Patent**
Takebuchi et al.

(10) **Patent No.:** **US D442,547 S**

(45) **Date of Patent:** **** May 22, 2001**

(54) **LINEARITY COIL**

(75) Inventors: **Masaharu Takebuchi; Takashi Tajima; Takeshi Ikeda; Kouzou Hida; Teruyoshi Ishida**, all of Gunma-ken (JP)

(73) Assignee: **Taiyo Yuden Co., Ltd.**, Tokyo (JP)

(**) Term: **14 Years**

(21) Appl. No.: **29/109,772**

(22) Filed: **Aug. 24, 1999**

(30) **Foreign Application Priority Data**

Feb. 26, 1999 (JP) 11-4857

(51) **LOC (7) Cl.** **13-01**

(52) **U.S. Cl.** **D13/117**

(58) **Field of Search** D13/110, 117;
336/90, 110, 15, 83, 92

(56) **References Cited**

U.S. PATENT DOCUMENTS

3,585,553 * 6/1971 Muckelroy et al. 336/192
3,684,993 * 8/1972 Hazen, III et al. 336/192 X
3,706,908 * 12/1972 Petri 315/400

4,755,784 * 7/1988 Taoka et al. 336/96
5,431,063 * 7/1995 Yasui 73/862.333
5,545,892 * 8/1996 Bilinski et al. 250/231.12
5,675,213 * 10/1997 Huang et al. 313/440
5,818,590 * 10/1998 Patterson 356/350
5,886,548 * 3/1999 Doty et al. 324/318
6,114,934 * 9/2000 Ikeda et al. 336/110 X

* cited by examiner

Primary Examiner—Joel Sincavage

(74) *Attorney, Agent, or Firm*—Arent Fox Kintner Plotkin & Kahn, PLLC

(57) **CLAIM**

The ornamental design for a linearity coil, as shown and described.

DESCRIPTION

FIG. 1 is a left side view of the linearity coil forming our new design;
FIG. 2 is a top plan view thereof;
FIG. 3 is a bottom view thereof;
FIG. 4 is a front view thereof;
FIG. 5 is a rear view thereof;
FIG. 6 is a left side view thereof; and,
FIG. 7 is perspective view thereof.

1 Claim, 2 Drawing Sheets

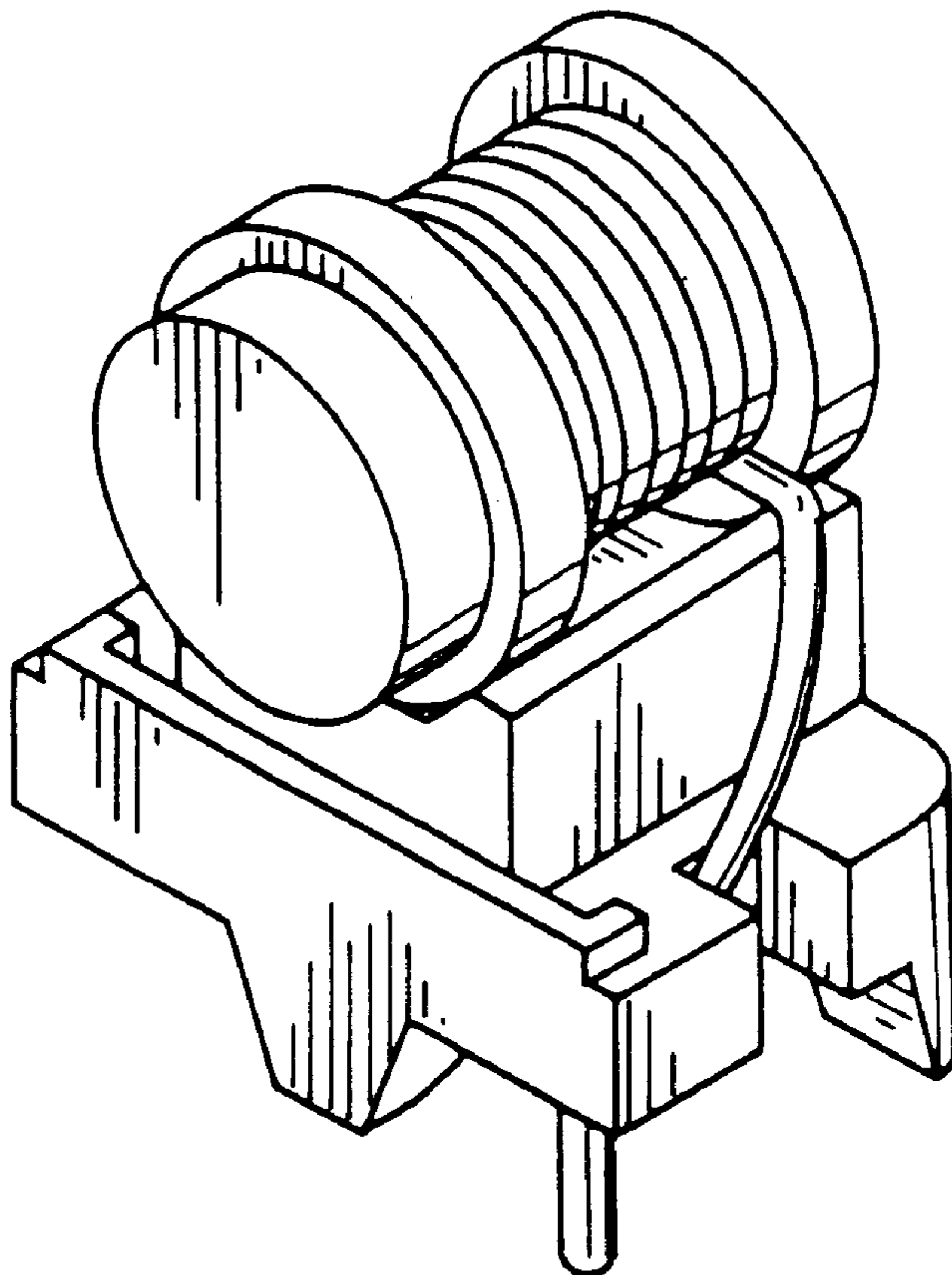


FIG. 1

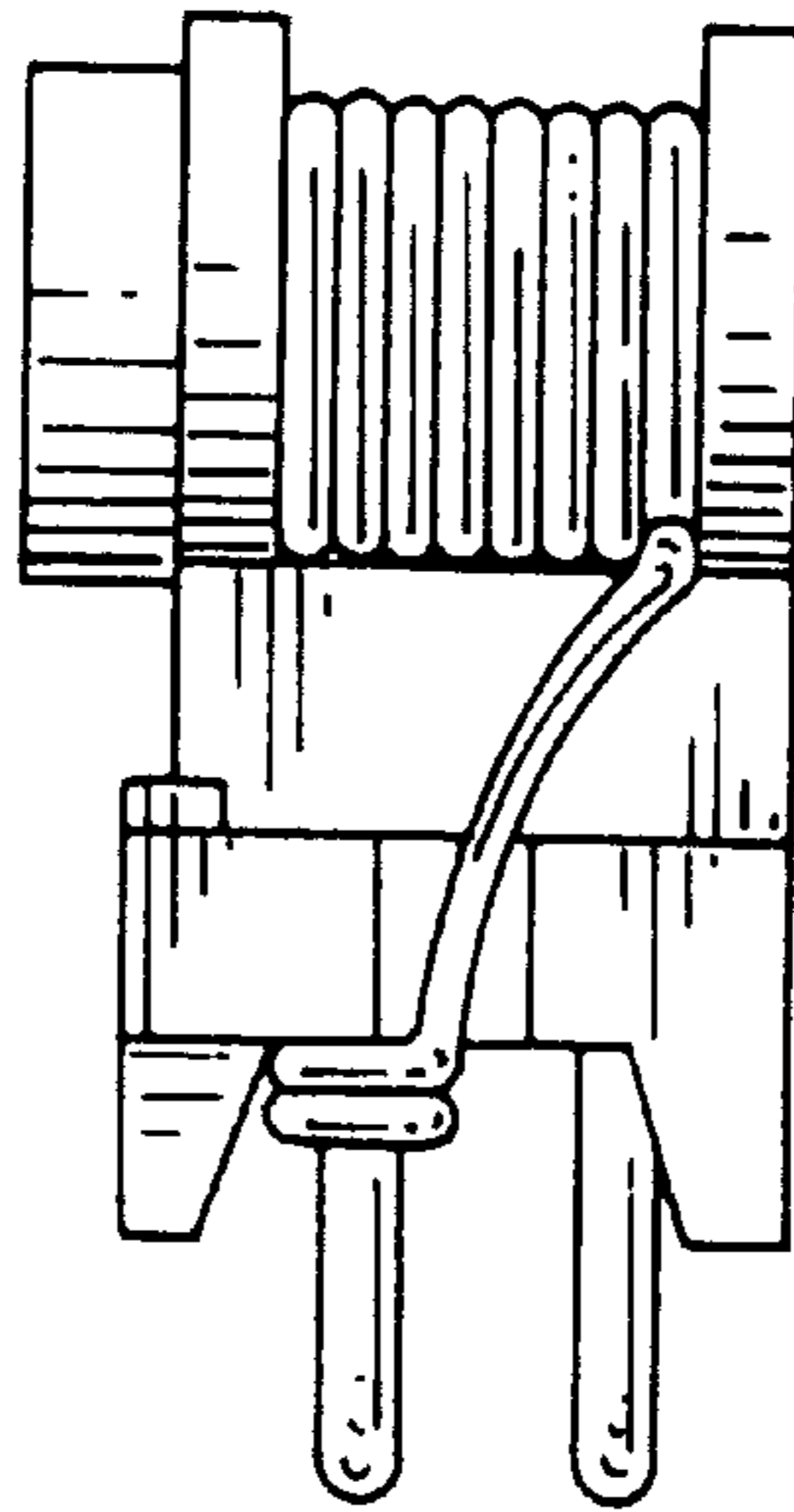


FIG. 2

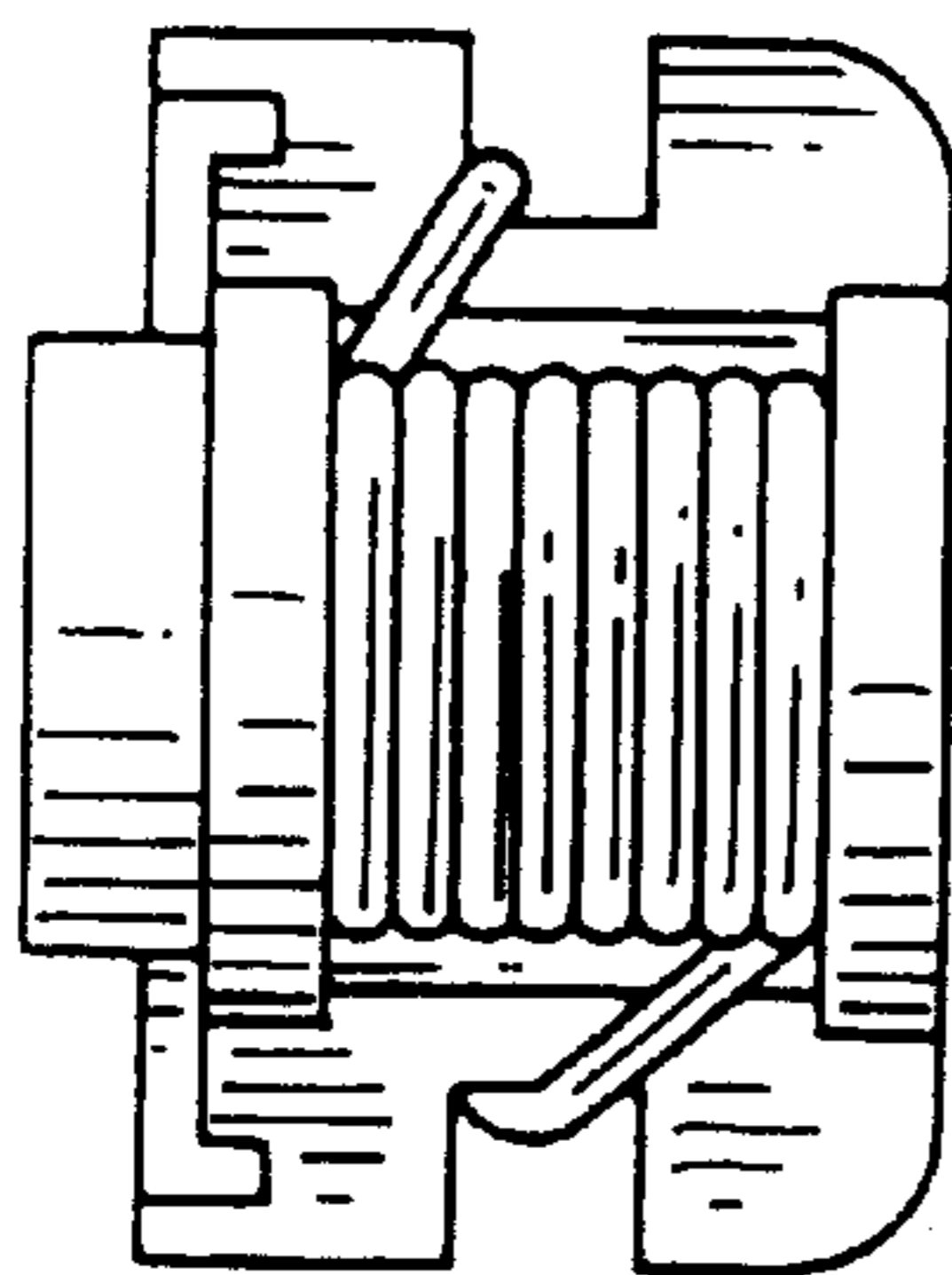


FIG. 3

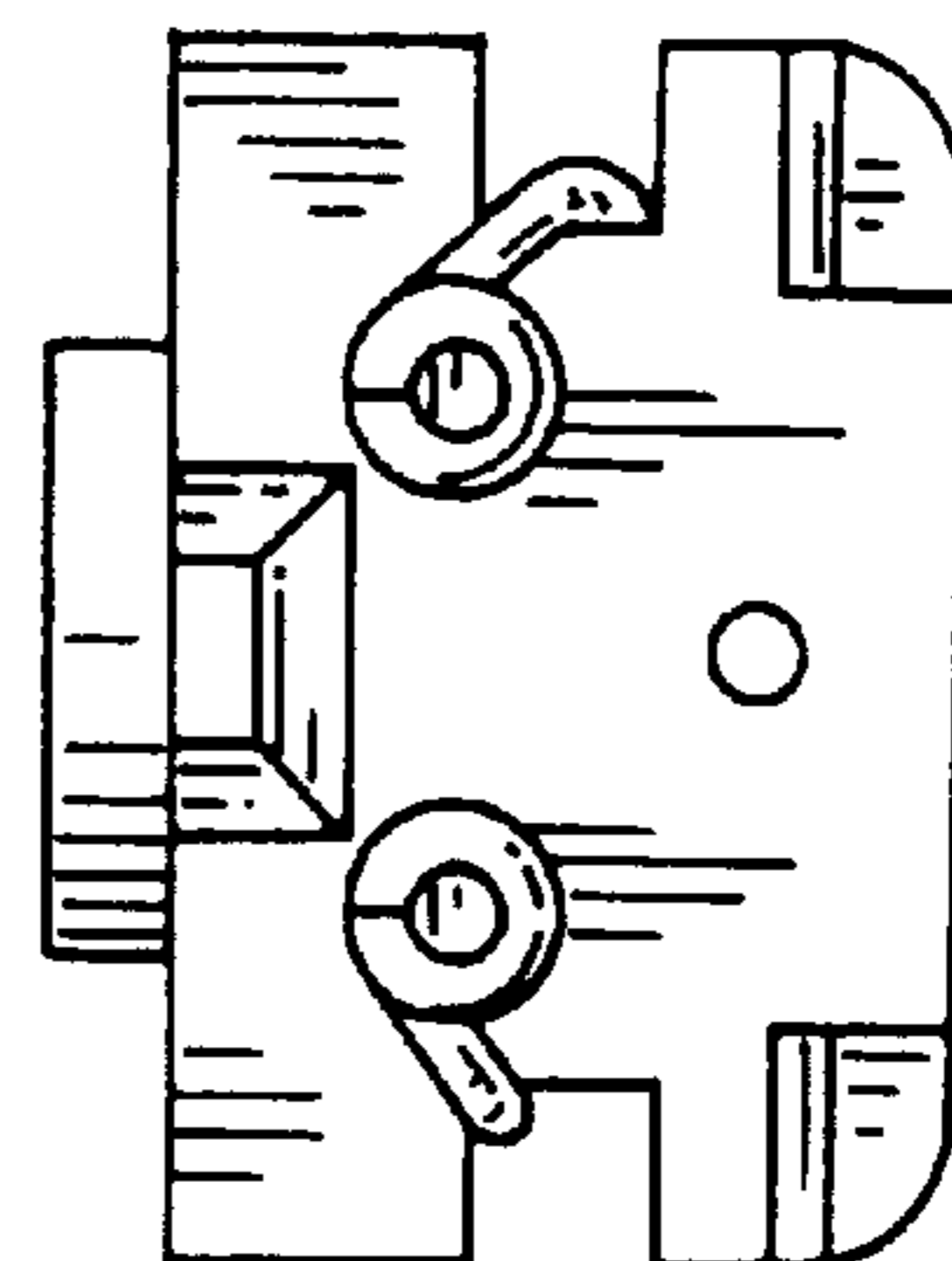


FIG. 4

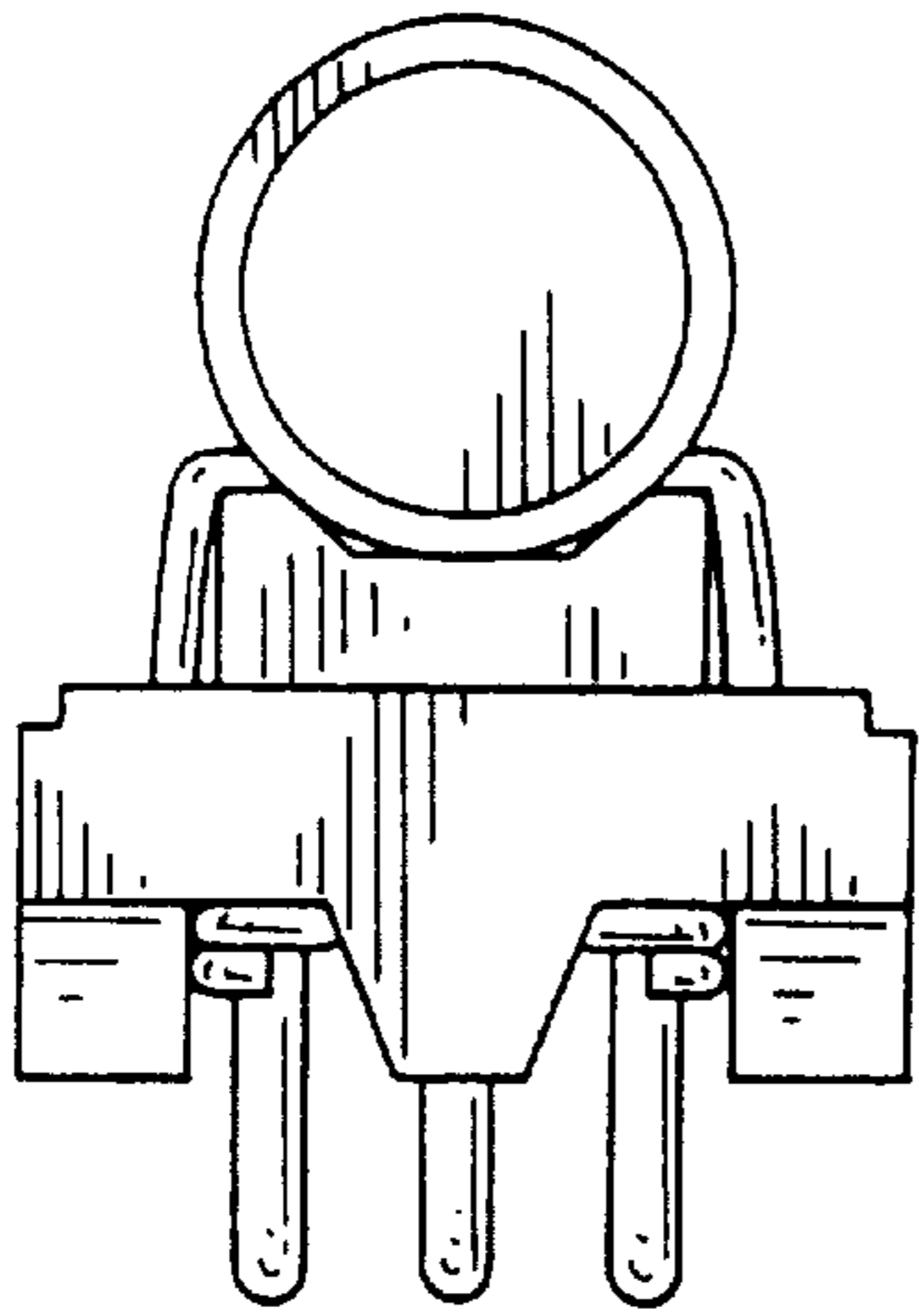


FIG. 5

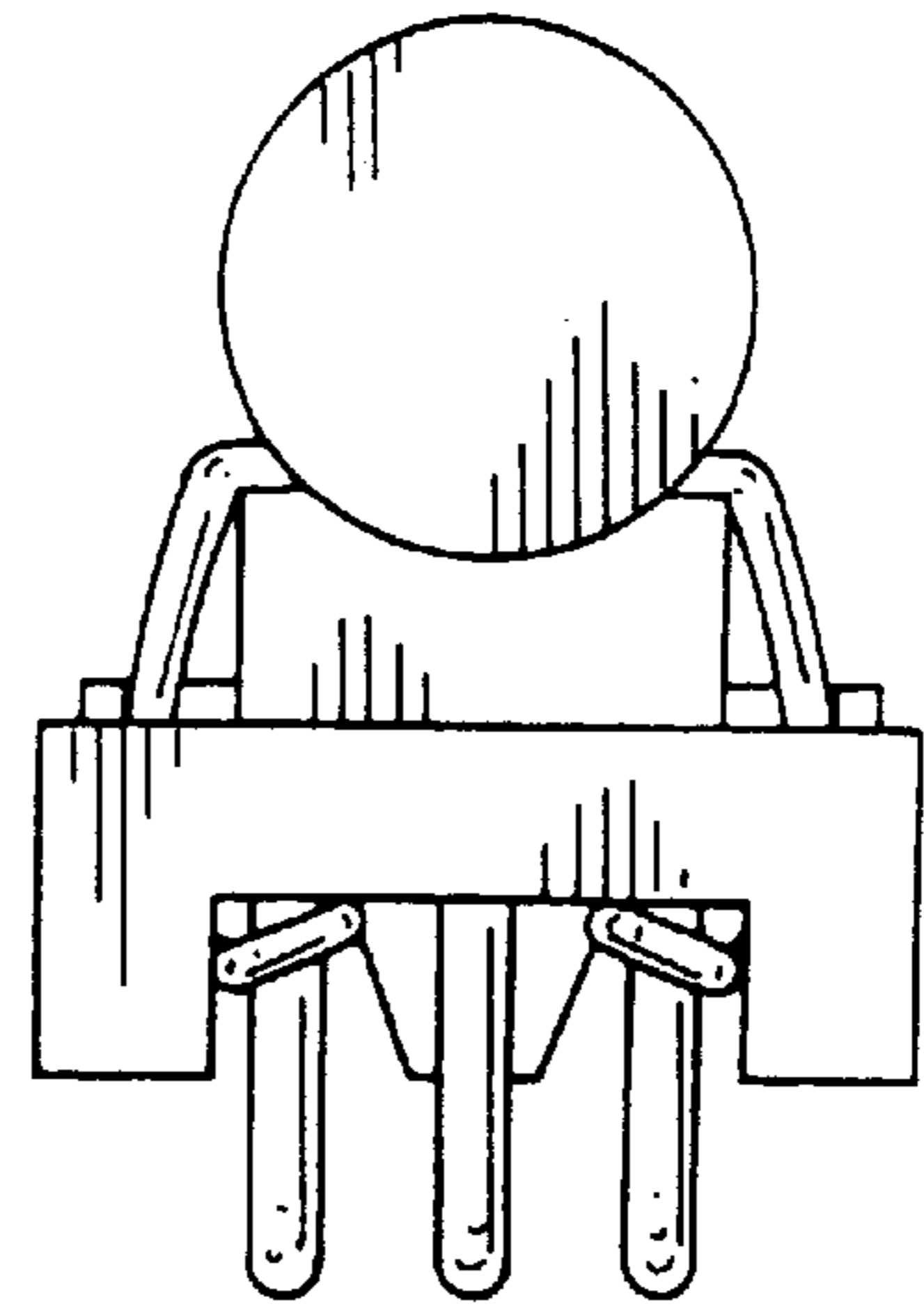


FIG. 6

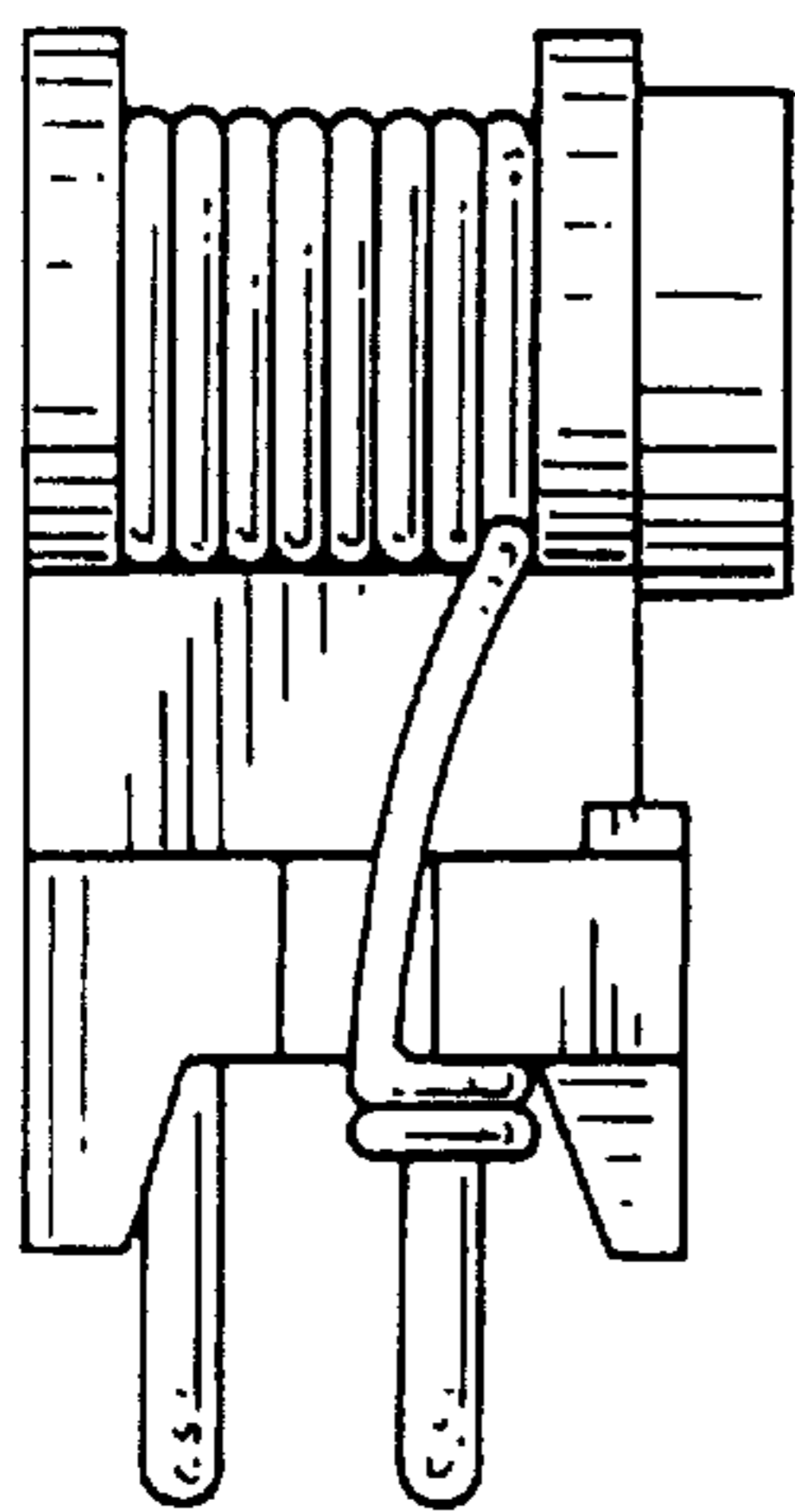


FIG. 7

