



US00D442546S

(12) **United States Design Patent**  
**Park et al.**

(10) **Patent No.:** **US D442,546 S**

(45) **Date of Patent:** **\*\* May 22, 2001**

(54) **POWER INPUT TERMINAL FOR COMPUTERS**

|           |   |         |                  |       |         |
|-----------|---|---------|------------------|-------|---------|
| 5,550,853 | * | 8/1996  | Ostler           | ..... | 372/34  |
| 5,587,881 | * | 12/1996 | Wang             | ..... | 361/695 |
| 5,640,061 | * | 6/1997  | Bornhorst et al. | ..... | 307/150 |
| 6,038,126 | * | 3/2000  | Weng             | ..... | 361/679 |

(76) Inventors: **Ho-Young Park**, 1830-2502  
Bandalmaul, Sang-dong, Wonmi-ku,  
Bucheon-shi; **Keun-Won Seo**, 14-208  
Jugong Apartment, Juan 6-dong,  
Nam-ku, Incheon-shi, both of (KR)

\* cited by examiner

*Primary Examiner*—Joel Sincavage  
(74) *Attorney, Agent, or Firm*—Howrey, Simon, Arnold &  
White, LLP

(\*\*) Term: **14 Years**

(21) Appl. No.: **29/118,645**

(22) Filed: **Feb. 11, 2000**

(30) **Foreign Application Priority Data**

Aug. 13, 1999 (KR) ..... 99-19316

(51) **LOC (7) Cl.** ..... **13-01**

(52) **U.S. Cl.** ..... **D13/110**

(58) **Field of Search** ..... D13/110; 307/64,  
307/150; 361/695, 679

(56) **References Cited**

**U.S. PATENT DOCUMENTS**

|            |   |         |                  |       |         |
|------------|---|---------|------------------|-------|---------|
| D. 356,995 | * | 4/1995  | Henderson et al. | ..... | D13/110 |
| 5,260,851  | * | 11/1993 | Chiou            | ..... | 361/685 |

(57) **CLAIM**

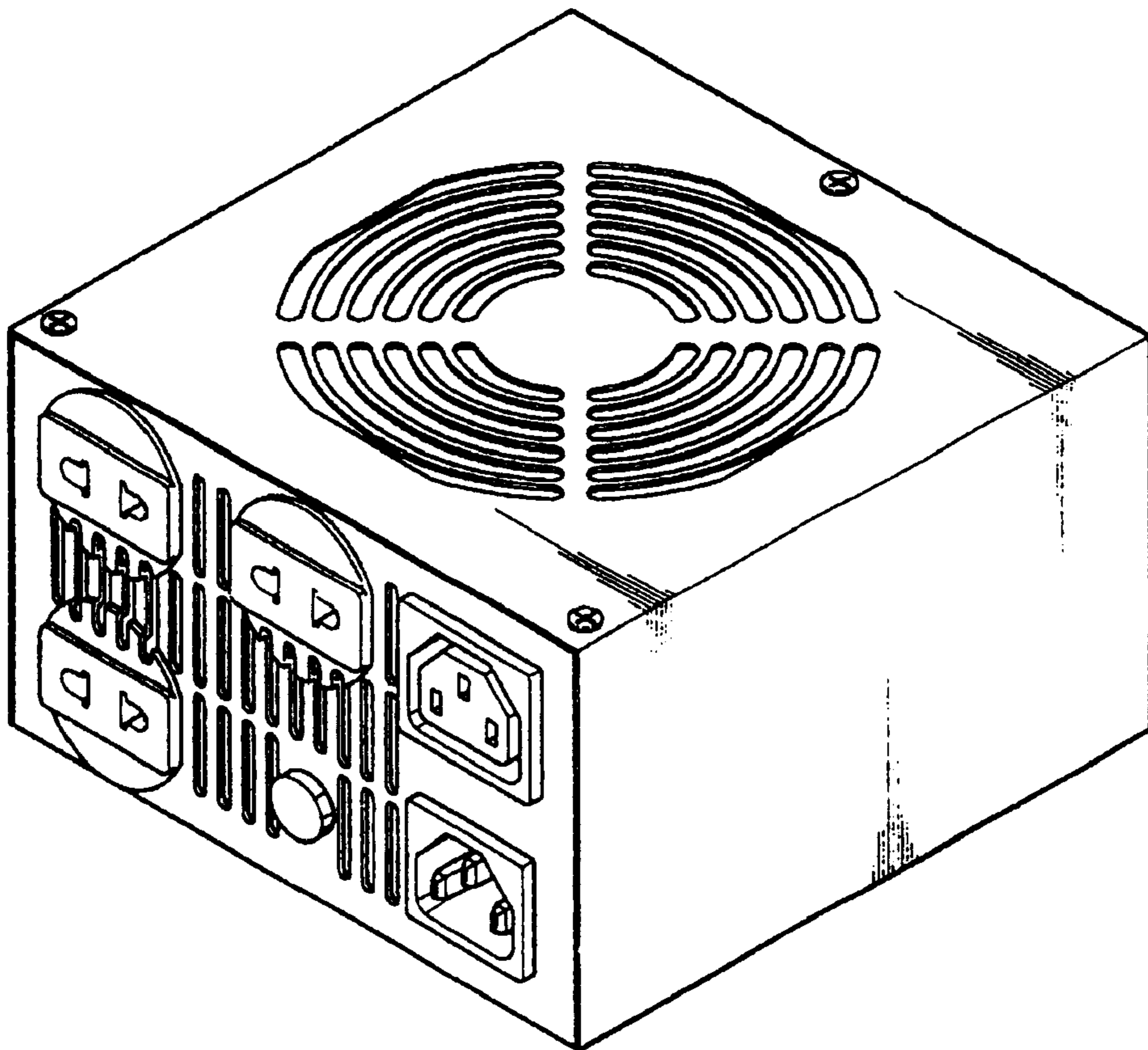
The ornamental design for the power input terminal for computers, as shown and described.

**DESCRIPTION**

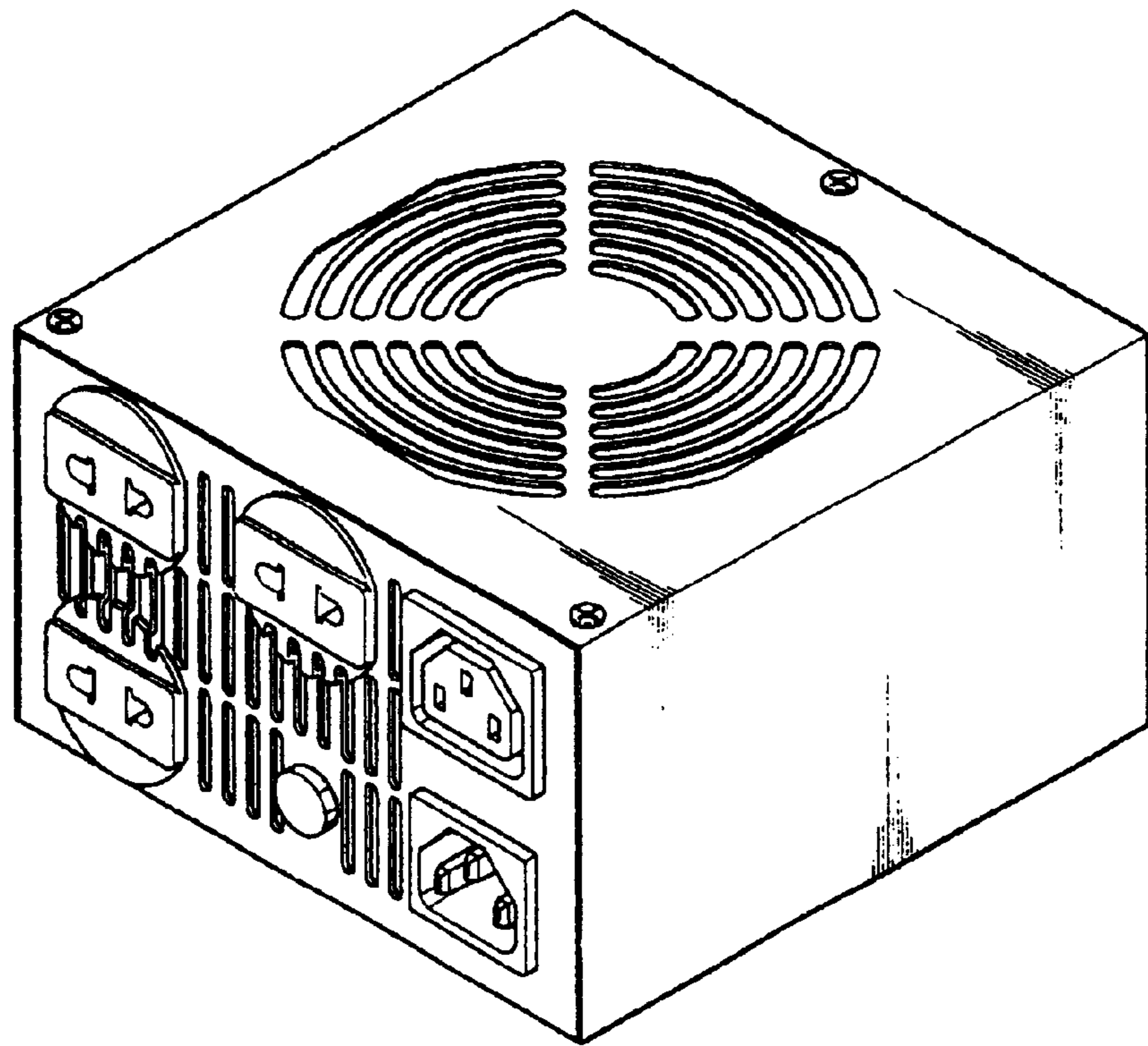
FIG. 1 is a front perspective view;  
FIG. 2 is a front view;  
FIG. 3 is a rear view;  
FIG. 4 is a left side view;  
FIG. 5 is a right side view;  
FIG. 6 is a top plan view; and,  
FIG. 7 is a bottom plan view.

The surface shading on the illustrated power input terminal for computers is intended only to show the character and contour of the surfaces and not surface indicia.

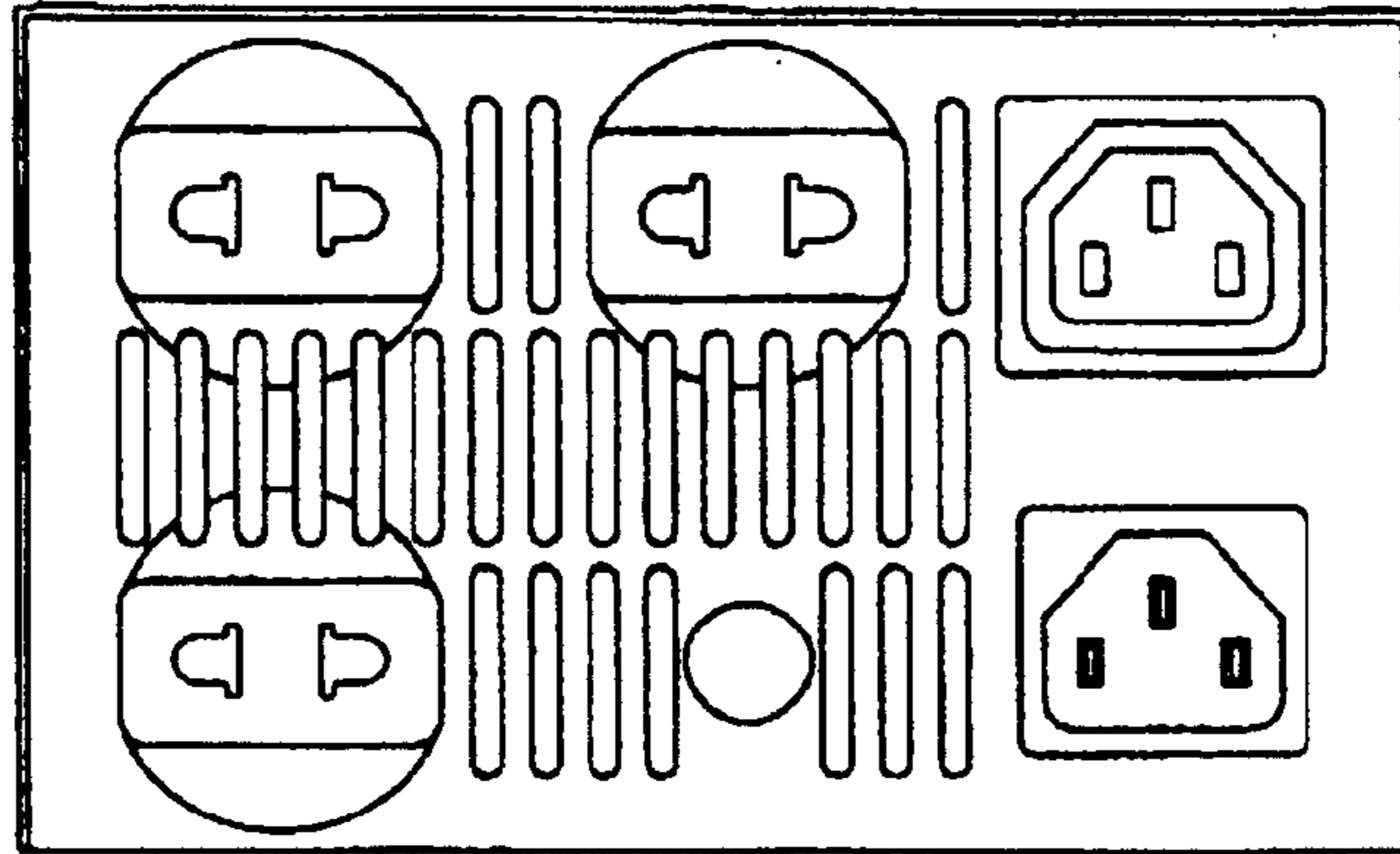
**1 Claim, 4 Drawing Sheets**



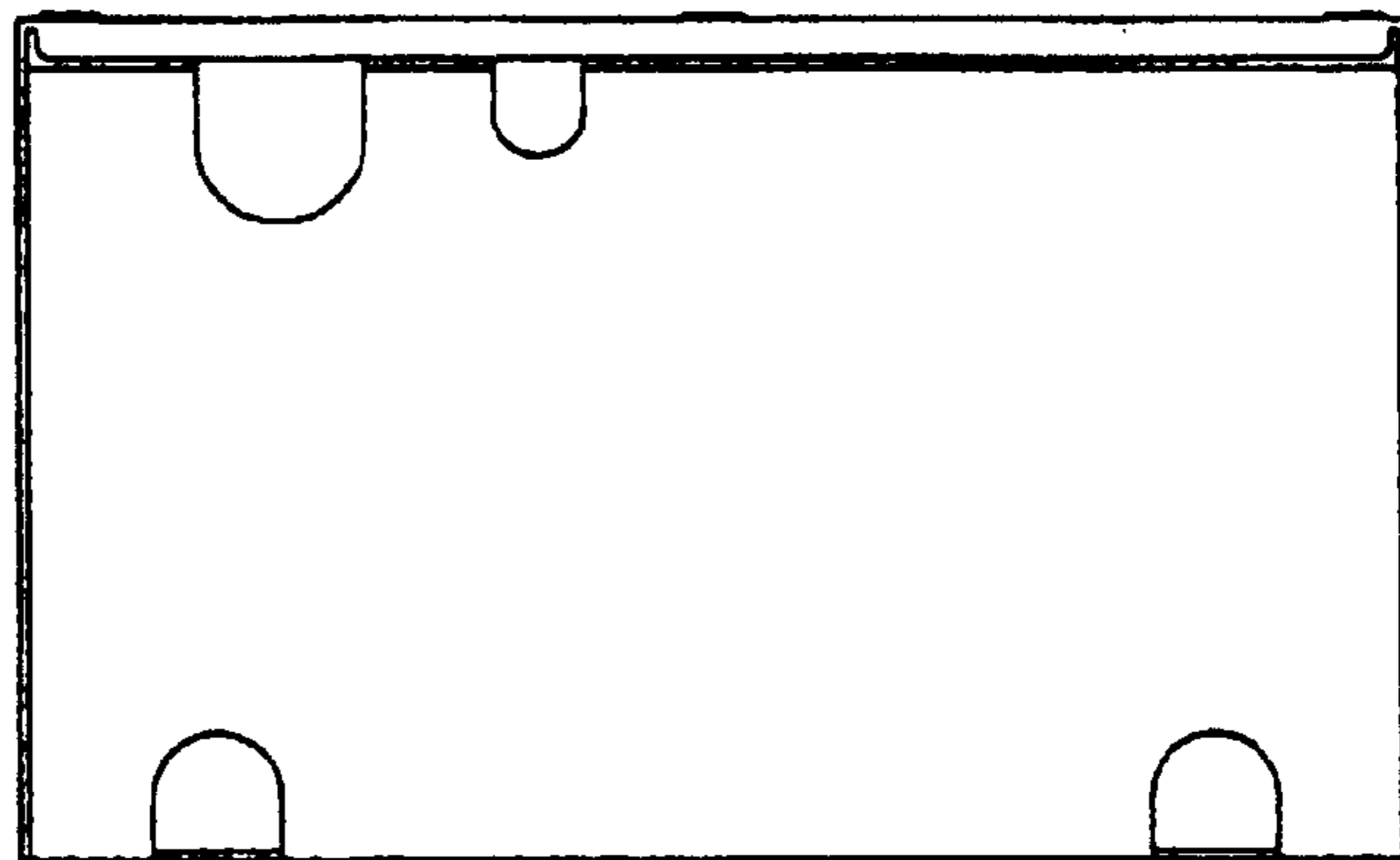
【FIG.1】



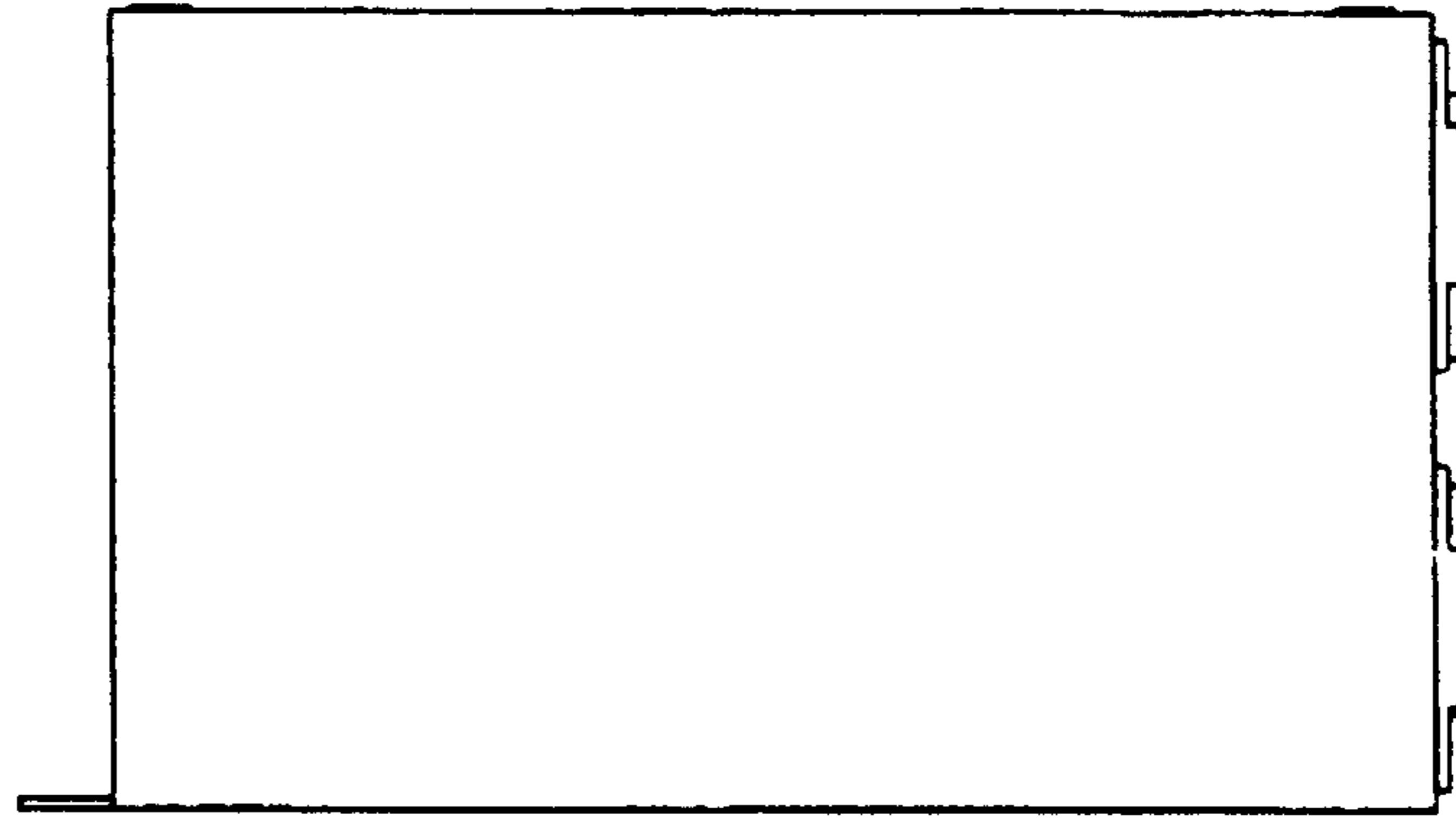
【FIG.2】



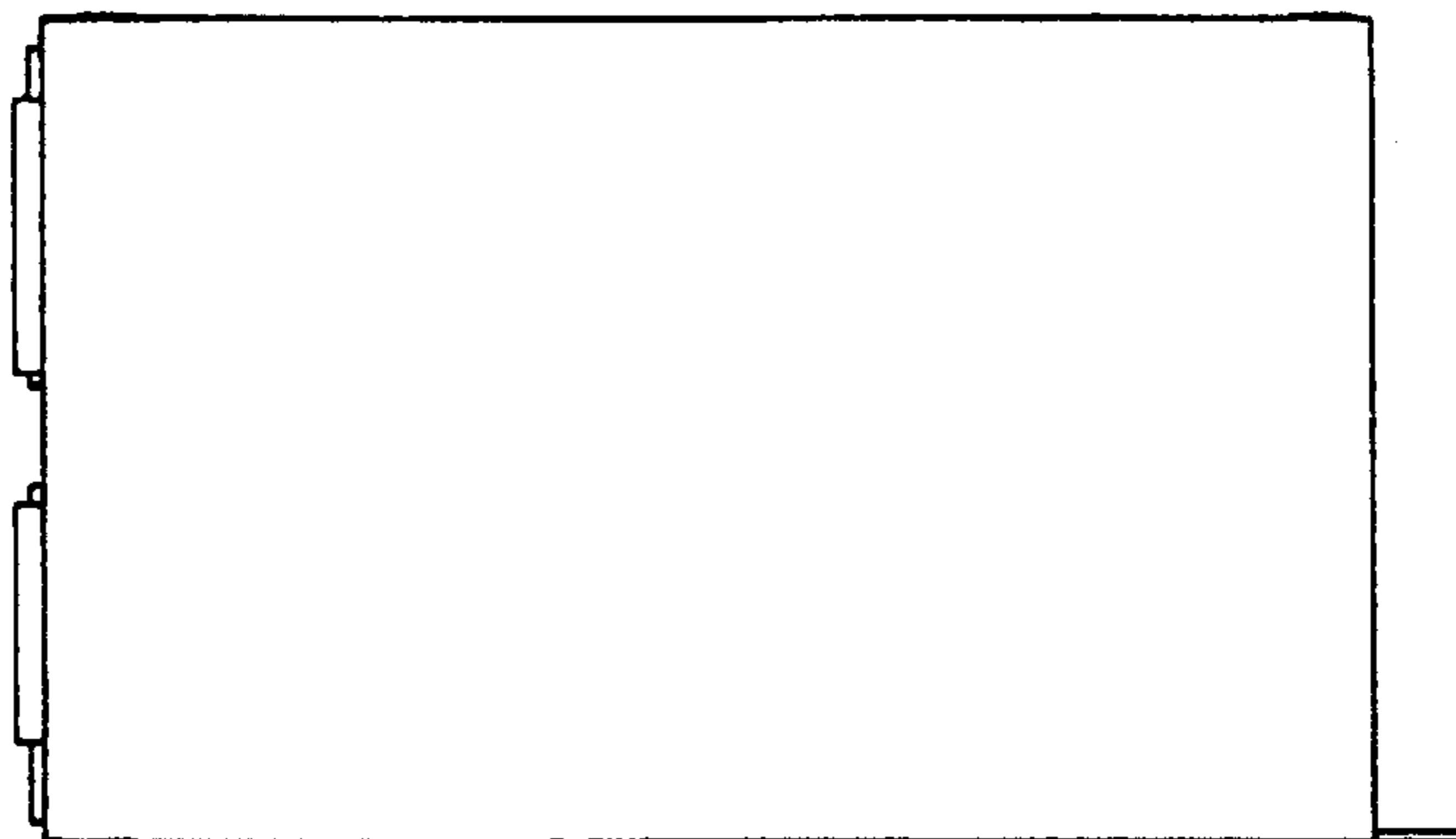
【FIG.3】



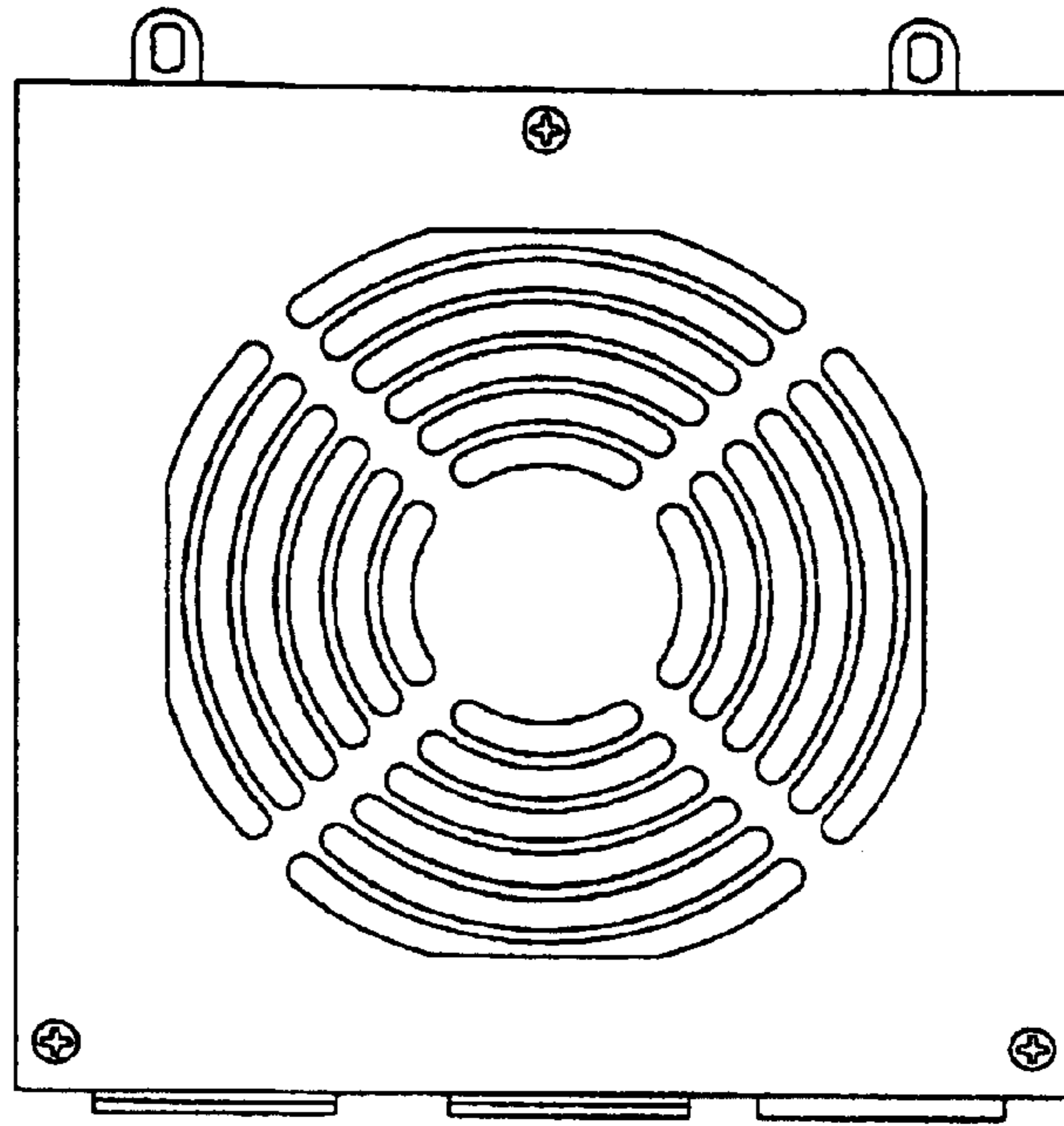
**【FIG.4】**



**【FIG.5】**



【FIG.6】



【FIG.7】

