



US00D442544S

(12) **United States Design Patent**
Ku

(10) **Patent No.:** **US D442,544 S**

(45) **Date of Patent:** **** May 22, 2001**

(54) **BATTERY CHARGER**

FOREIGN PATENT DOCUMENTS

(75) Inventor: **Richard Yuk-Hing Ku, NT (CN)**

8315794 * 11/1996 (JP) H01M/2/10
11086914 * 3/1999 (JP) H01M/10/46

(73) Assignee: **GP Batteries International Limited,**
Singapore (SG)

* cited by examiner

(**) Term: **14 Years**

Primary Examiner—Joel Sincavage

(74) *Attorney, Agent, or Firm*—Alix, Yale & Ristas, LLP

(21) Appl. No.: **29/125,539**

(57) **CLAIM**

(22) Filed: **Jun. 23, 2000**

The ornamental design for a battery charger, as shown and described.

(51) **LOC (7) Cl.** **13-02**

(52) **U.S. Cl.** **D13/107**

(58) **Field of Search** D13/107, 108;
320/107–115

DESCRIPTION

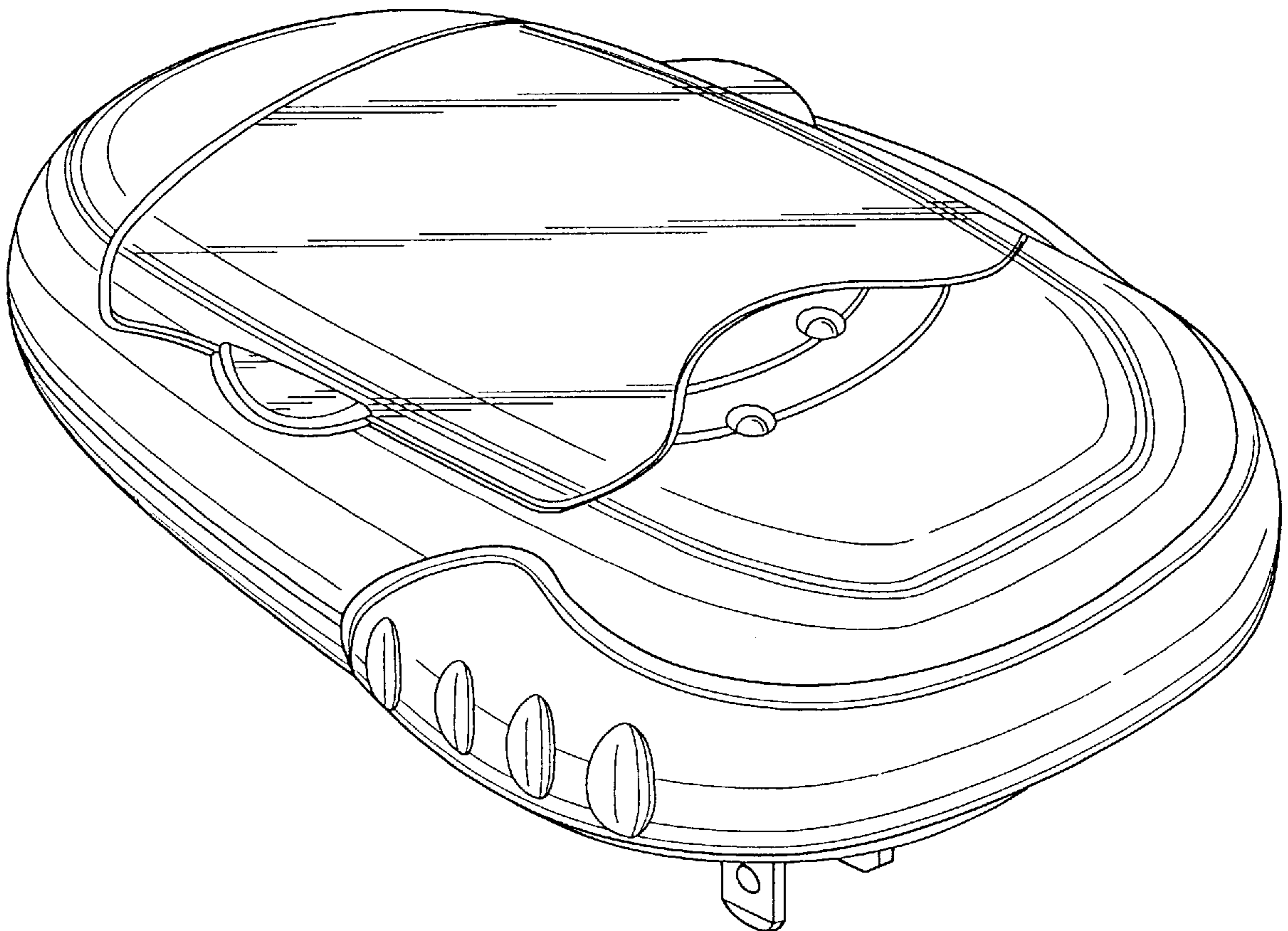
(56) **References Cited**

U.S. PATENT DOCUMENTS

- D. 247,619 * 3/1978 Edgell et al. D13/107 X
- D. 333,120 * 2/1993 Shimoo et al. D13/107
- D. 357,224 * 4/1995 Nagele et al. D13/107
- D. 394,641 * 5/1998 Seragnoli D13/108
- D. 411,823 * 7/1999 Jacobs et al. D13/107
- 5,834,919 * 11/1998 Liu 320/111

FIG. 1 is a perspective view of a battery charger showing my new design;
 FIG. 2 is a front elevational view thereof;
 FIG. 3 is a rear elevational view thereof;
 FIG. 4 is a left side elevational view thereof;
 FIG. 5 is a right side elevational view thereof;
 FIG. 6 is a top plan view thereof; and,
 FIG. 7 is a bottom plan view thereof.

1 Claim, 5 Drawing Sheets



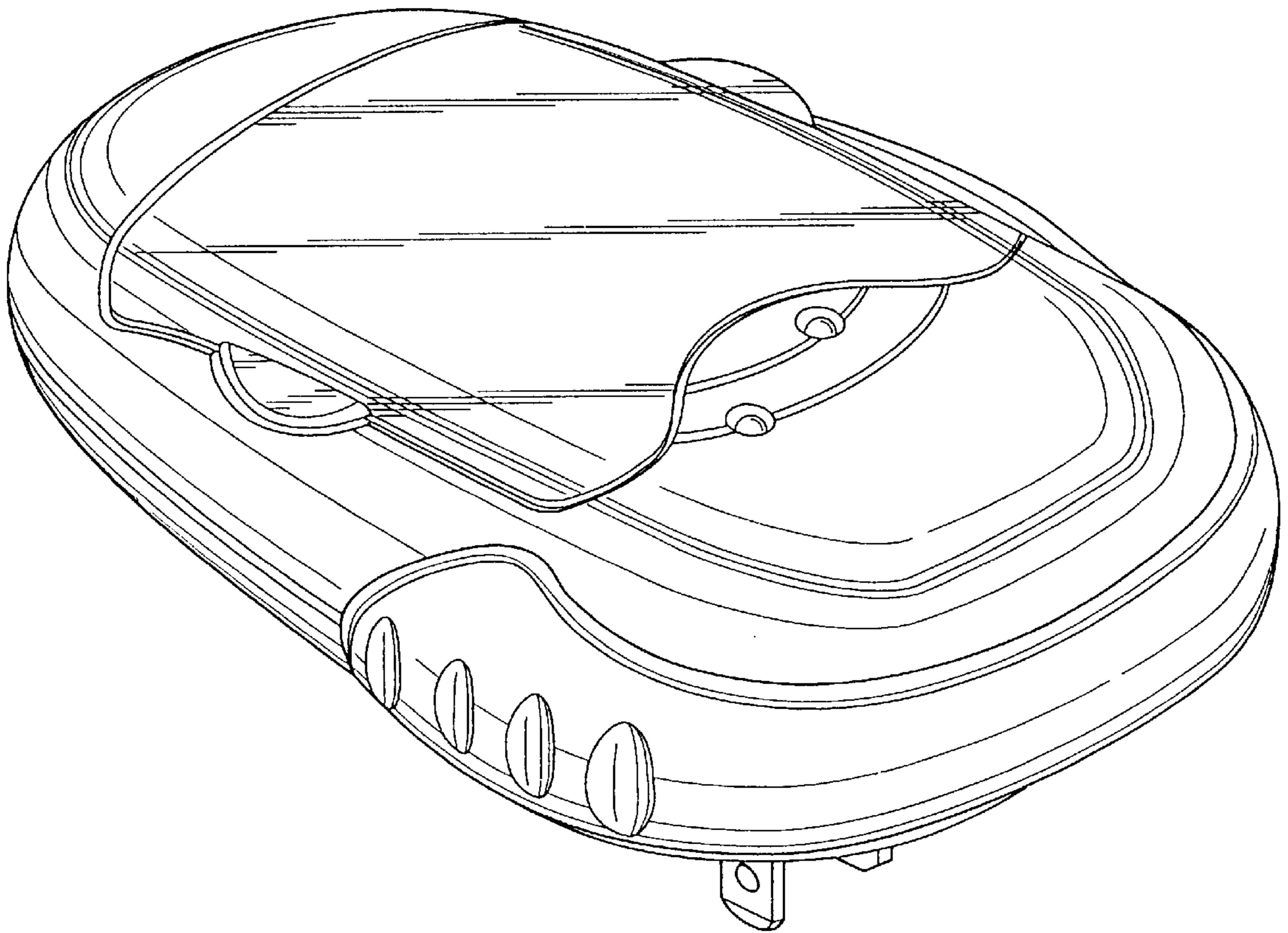


FIG. 1

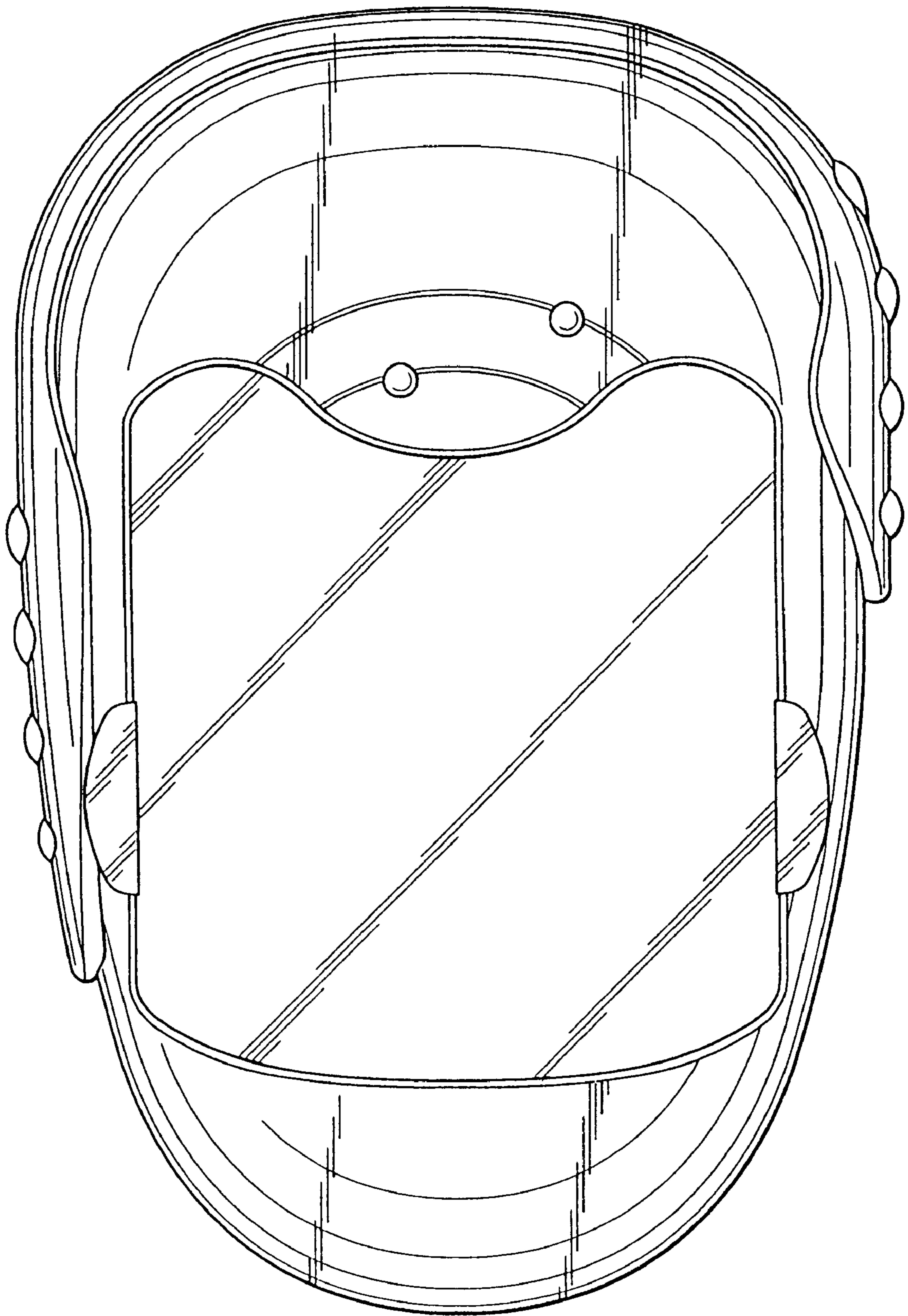


FIG. 2

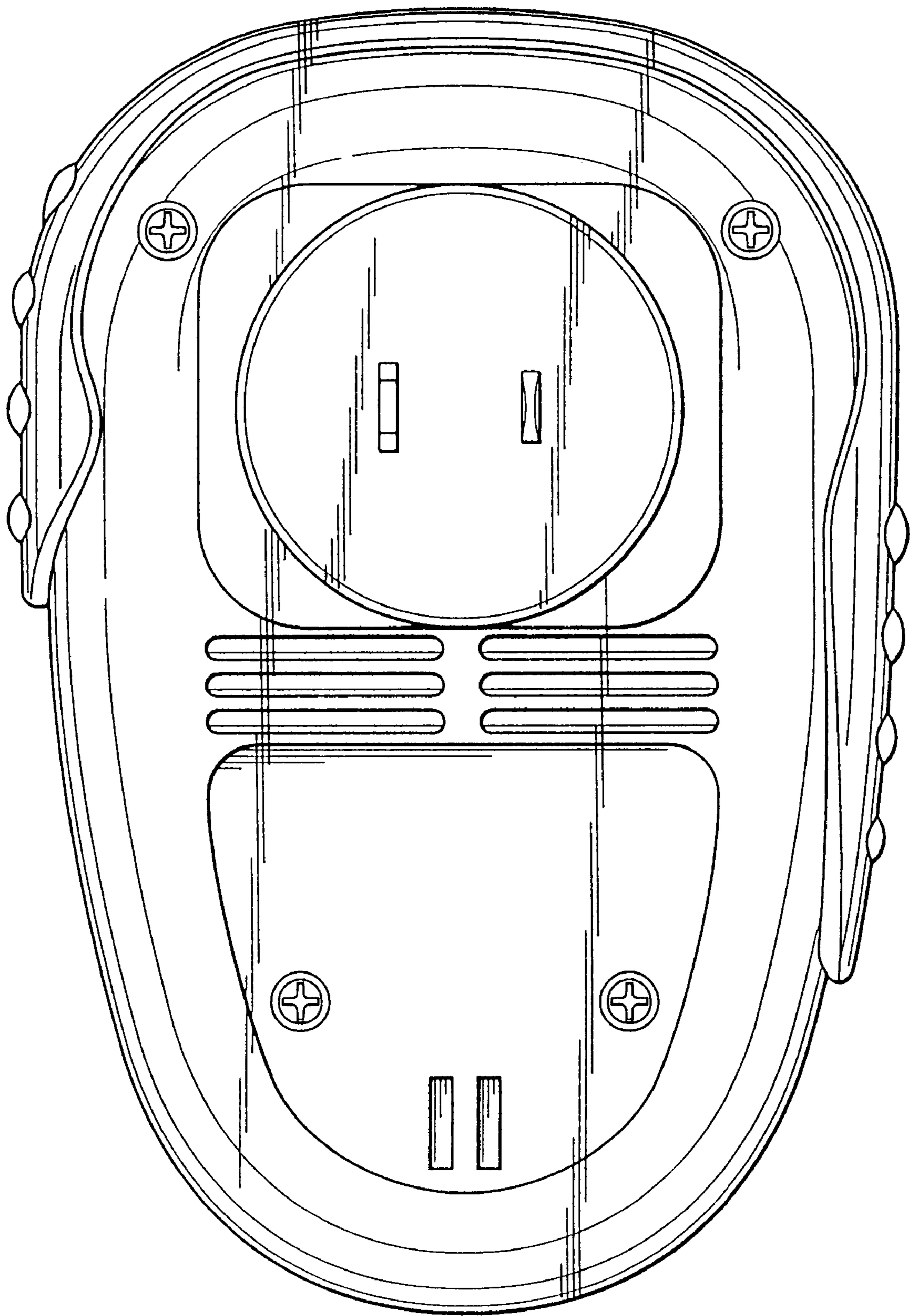


FIG. 3

FIG. 4

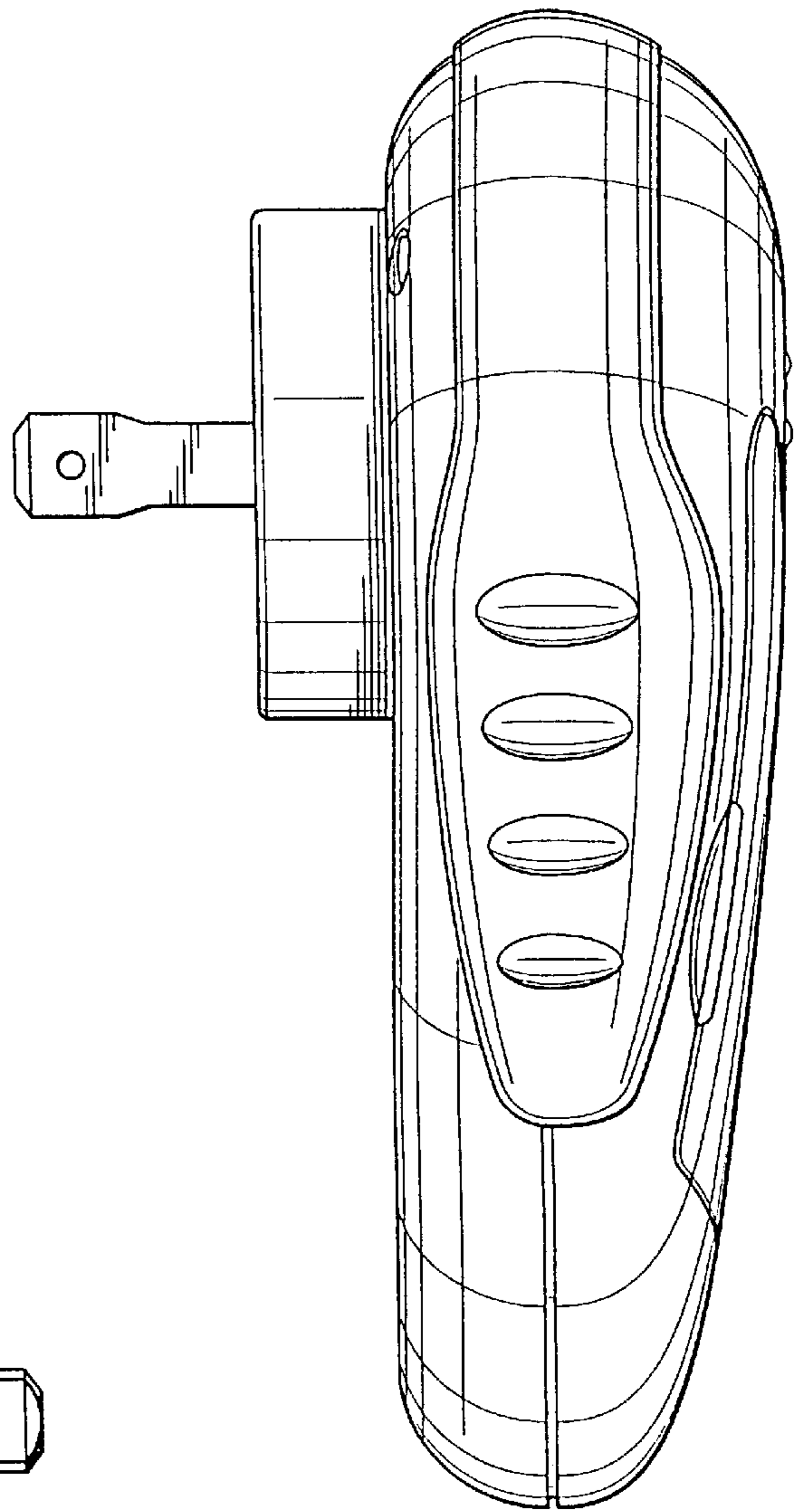
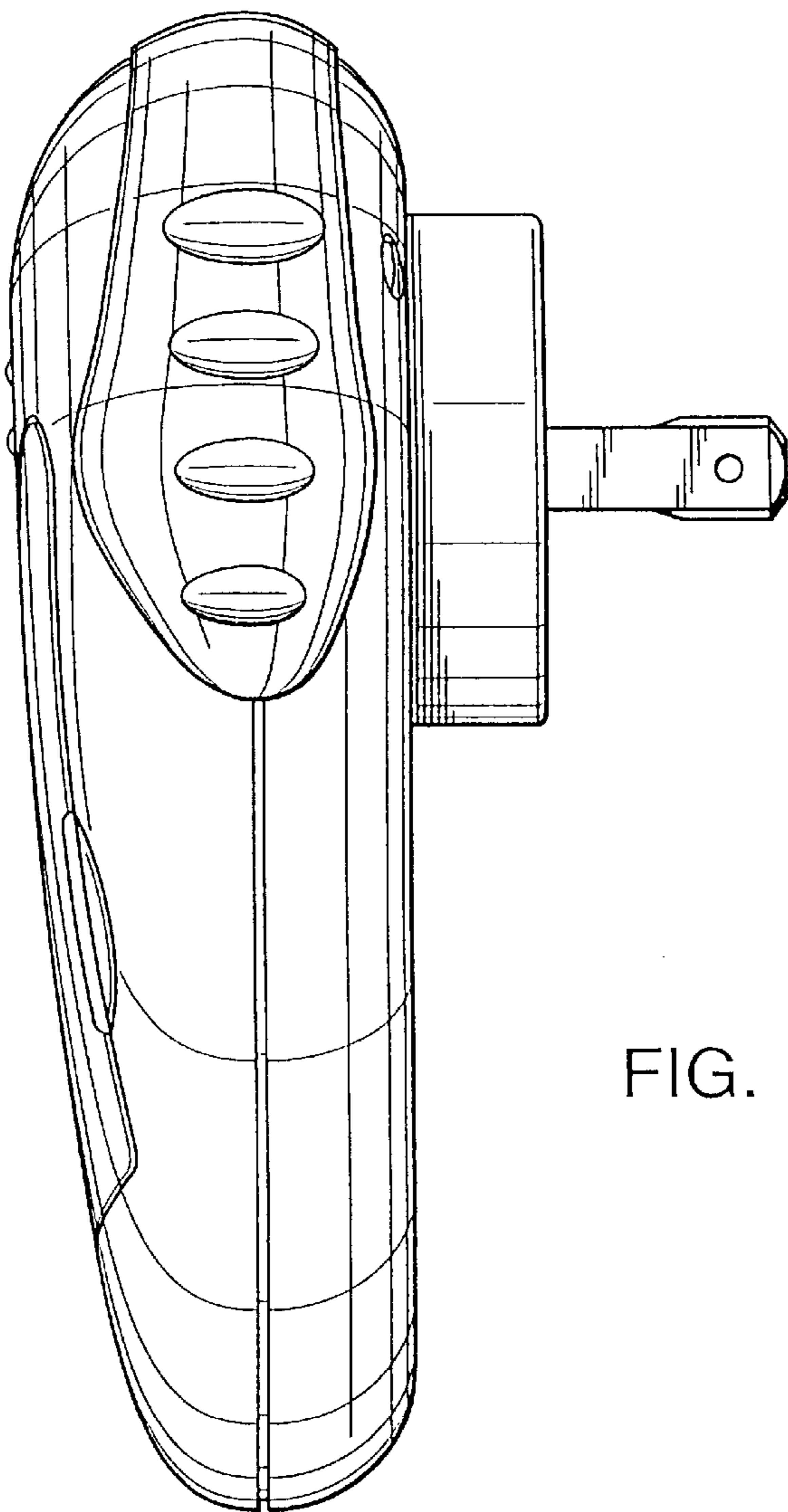


FIG. 5



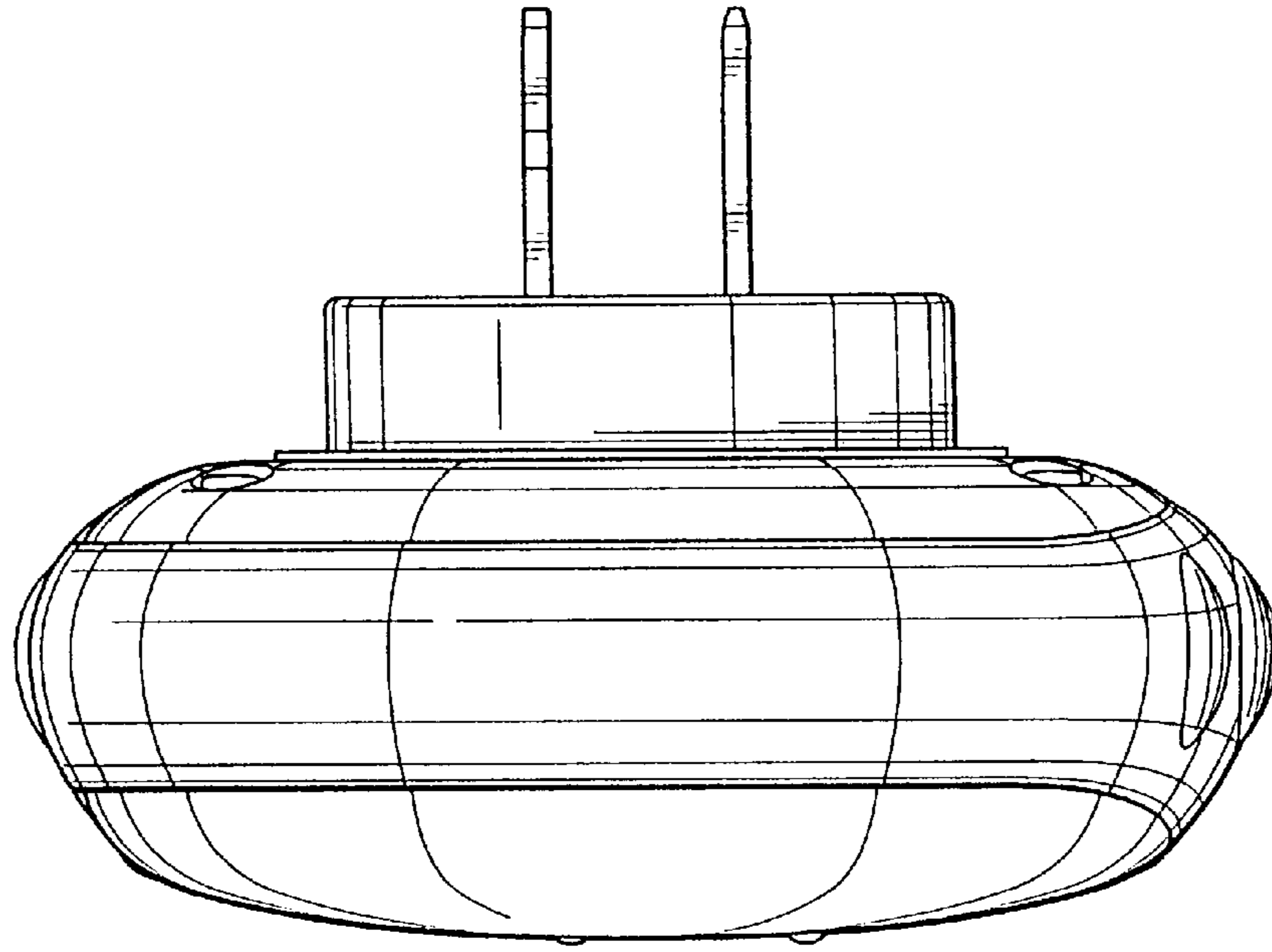


FIG. 6

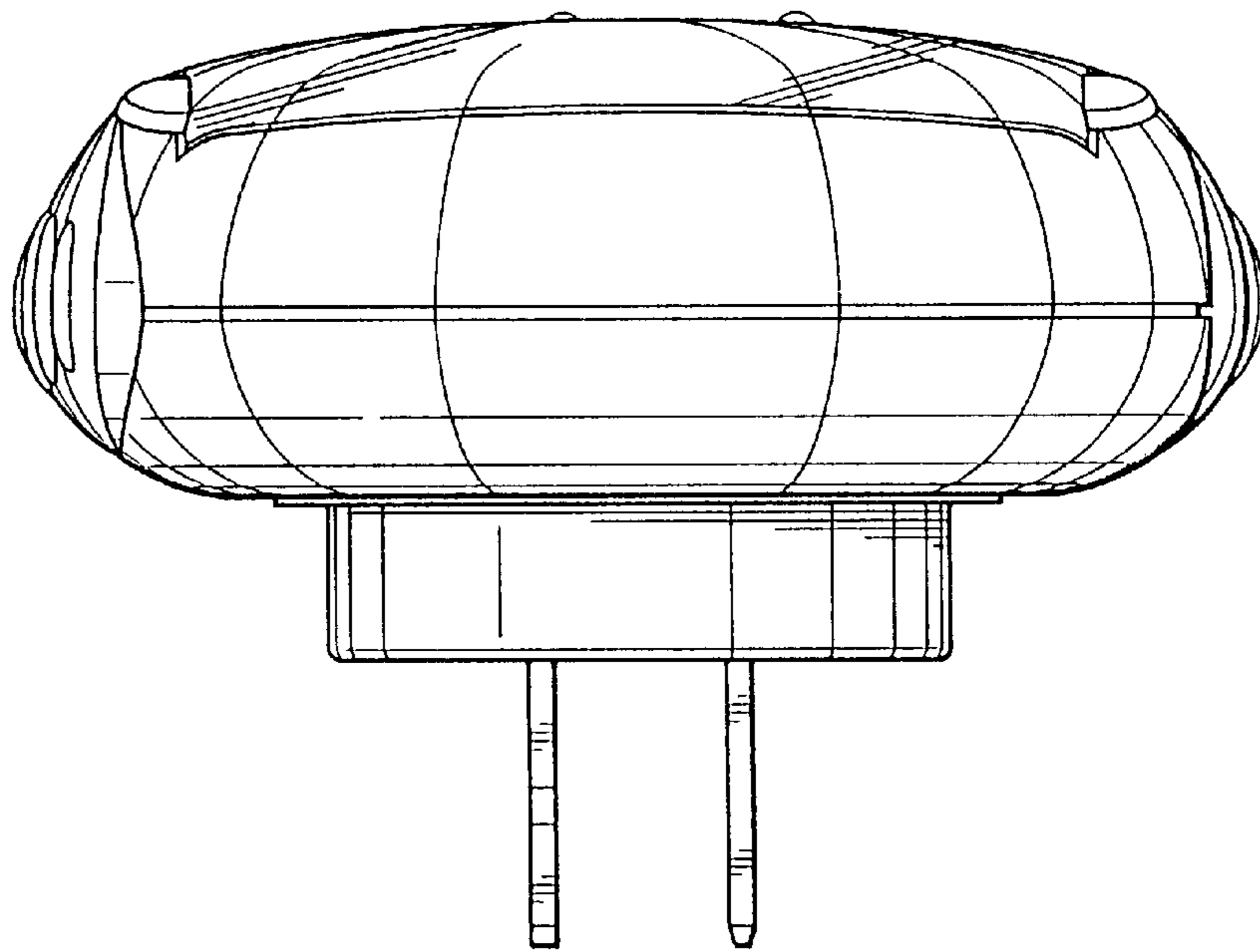


FIG. 7