



US00D442542S

(12) **United States Design Patent**
Dougherty et al.

(10) **Patent No.:** **US D442,542 S**

(45) **Date of Patent:** **** May 22, 2001**

(54) **CASE FOR BATTERY CELLS**

5,686,202 * 11/1997 Hooke et al. 429/176 X

(75) Inventors: **Thomas J. Dougherty**, Waukesha;
Michael G. Andrew, Menomonee Falls;
Gerald K. Bowen, Cedarburg; **Jeffrey P. Zagrodnik**, Hales Corners, all of WI (US)

* cited by examiner

Primary Examiner—Joel Sincavage

(74) *Attorney, Agent, or Firm*—Quarles & Brady LLP

(73) Assignee: **Johnson Controls Technology Company**, Plymouth, MI (US)

(57) **CLAIM**

The ornamental design for a case for battery cells, as shown and described.

(**) Term: **14 Years**

DESCRIPTION

(21) Appl. No.: **29/114,072**

FIG. 1 is a right, top, front perspective view of a case for battery cells embodying our new design;

FIG. 2 is a top plan view thereof;

(22) Filed: **Nov. 17, 1999**

FIG. 3 is a right side elevational view thereof, the left side elevational view being a mirror image of the right side elevational view shown;

Related U.S. Application Data

(63) Continuation of application No. 09/008,719, filed on Jan. 19, 1998, and application No. 09/232,543, filed on Jan. 18, 1999.

FIG. 4 is a front elevational view thereof;

FIG. 5 is a rear elevational view thereof;

(51) **LOC (7) Cl.** **13-02**

(52) **U.S. Cl.** **D13/104**

(58) **Field of Search** D13/103, 104;
D11/145; D9/430, 514; D30/101; 429/96-100,
159, 163, 174, 176

FIG. 6 is a right, top, front perspective view of a second embodiment, the top plan view being identical to that shown in FIG. 2 and the rear elevational view being identical to that shown in FIG. 5;

FIG. 7 is a right side elevational view thereof, the left side elevational view being a mirror image of the right side elevational view shown; and,

FIG. 8 is a front elevational view thereof.

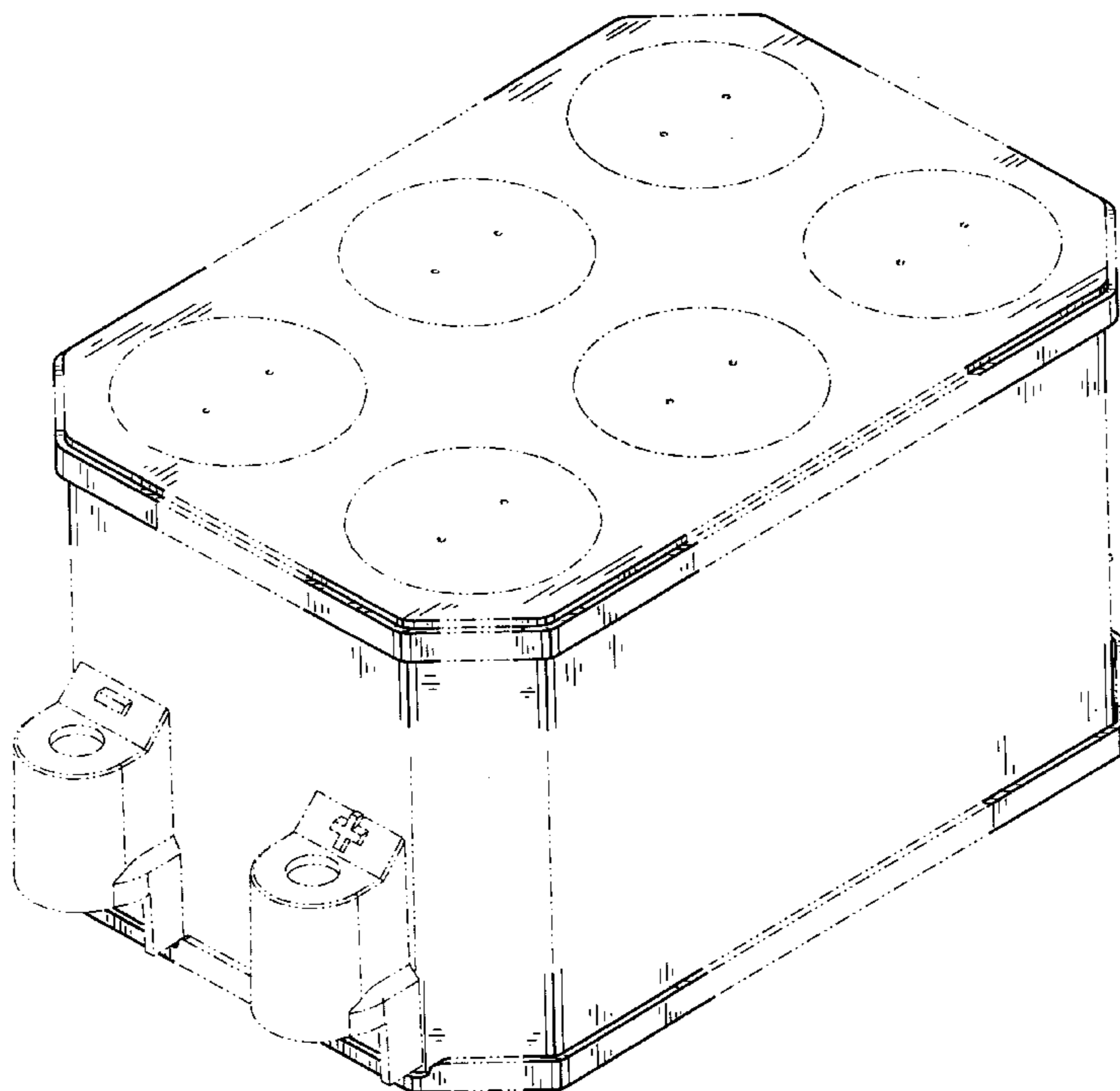
(56) **References Cited**

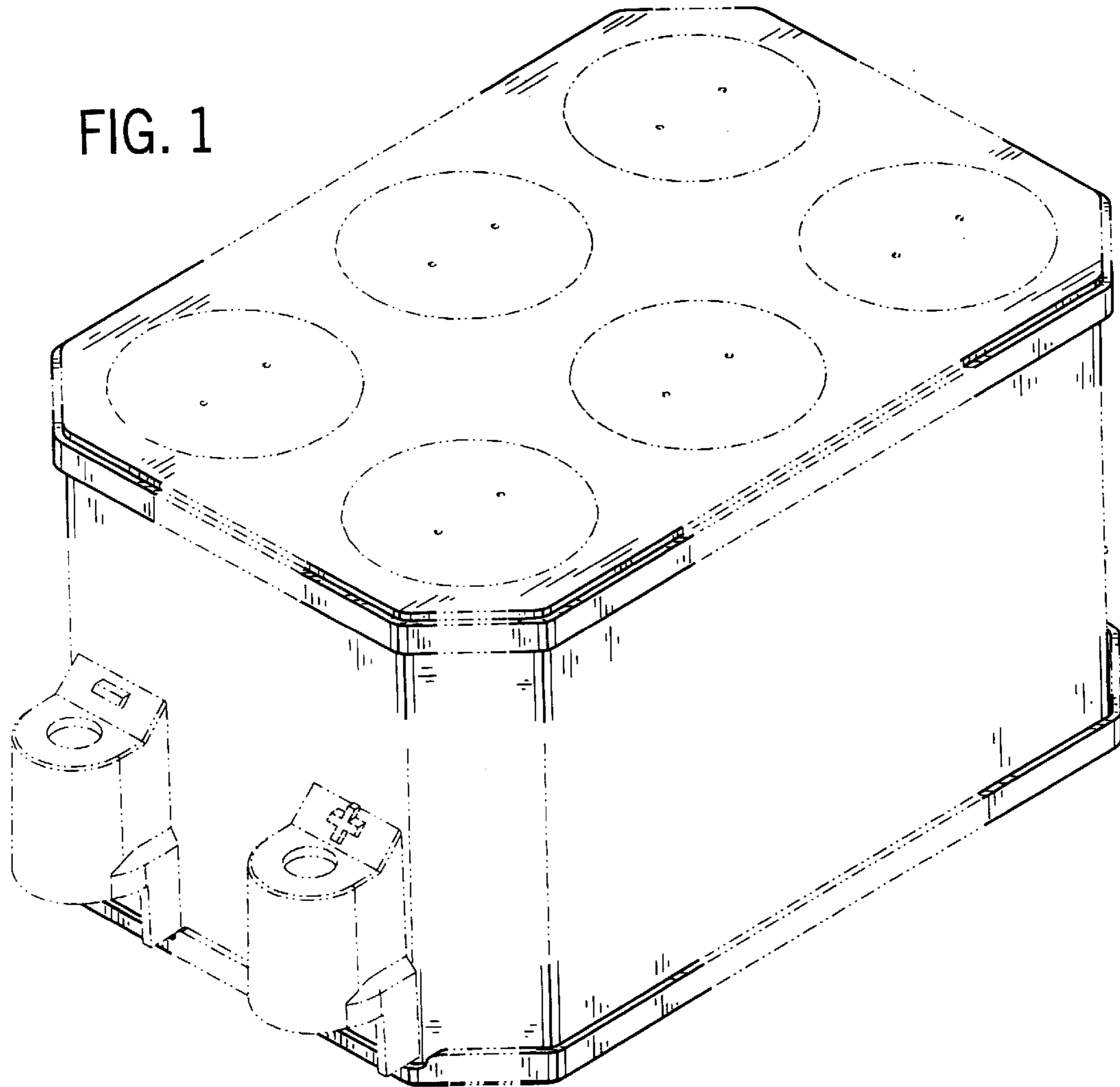
U.S. PATENT DOCUMENTS

- D. 211,348 * 6/1968 Redmon D13/104
- D. 310,205 * 8/1990 Hedrington et al. D13/103
- D. 344,676 * 3/1994 Newman D9/430
- D. 356,993 * 4/1995 Koster D13/103

The broken line representations of termination housings in FIGS. 1-4 and 6-8, of caps and vent holes in FIGS. 1, 2, and 6, of a lip in FIGS. 1, 2, 3, 5, 6, and 7, and of case edges in FIGS. 1-8 are for the purpose of illustration only, and form no part of the claimed design.

1 Claim, 5 Drawing Sheets





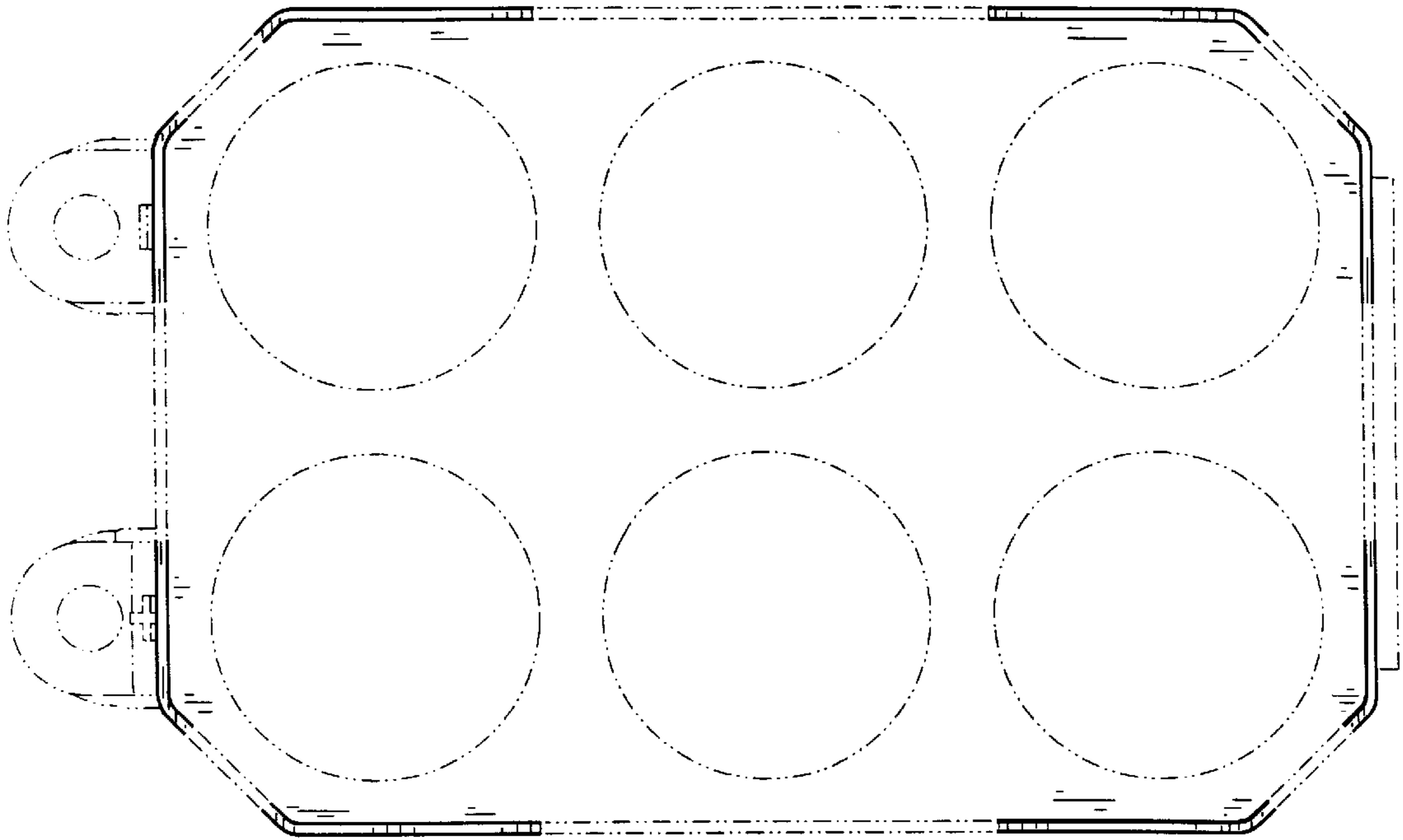


FIG. 2

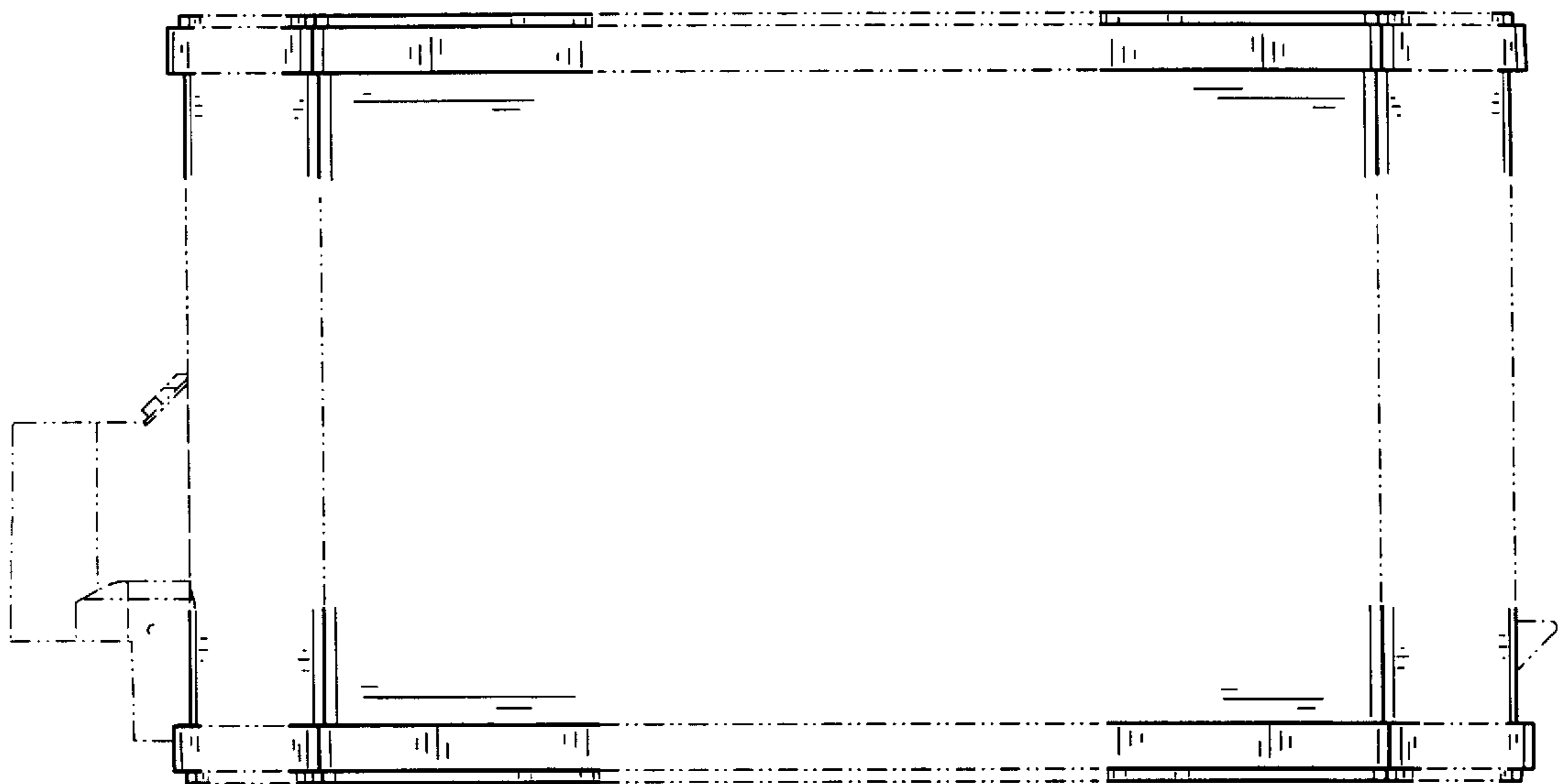


FIG. 3

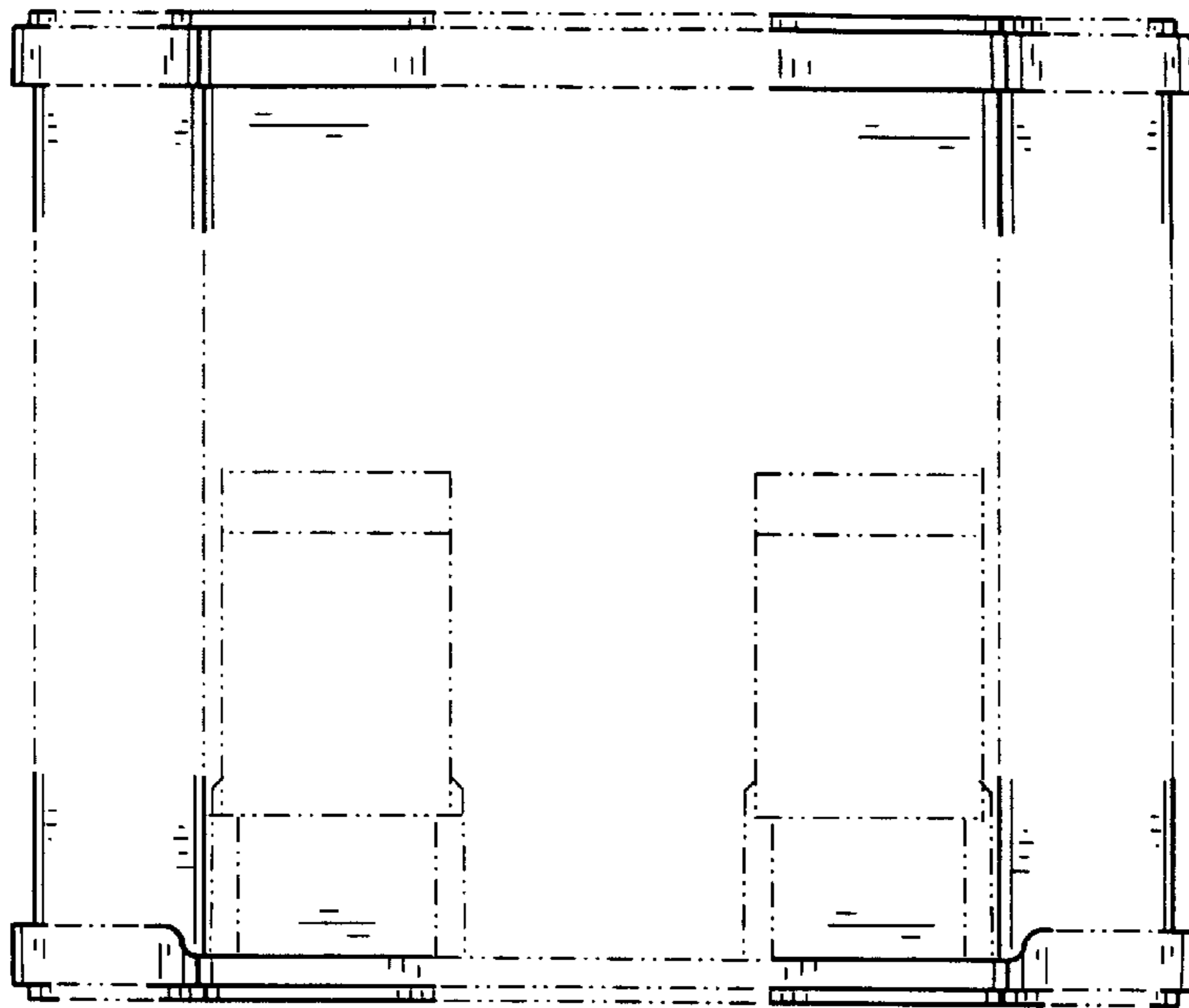


FIG. 4

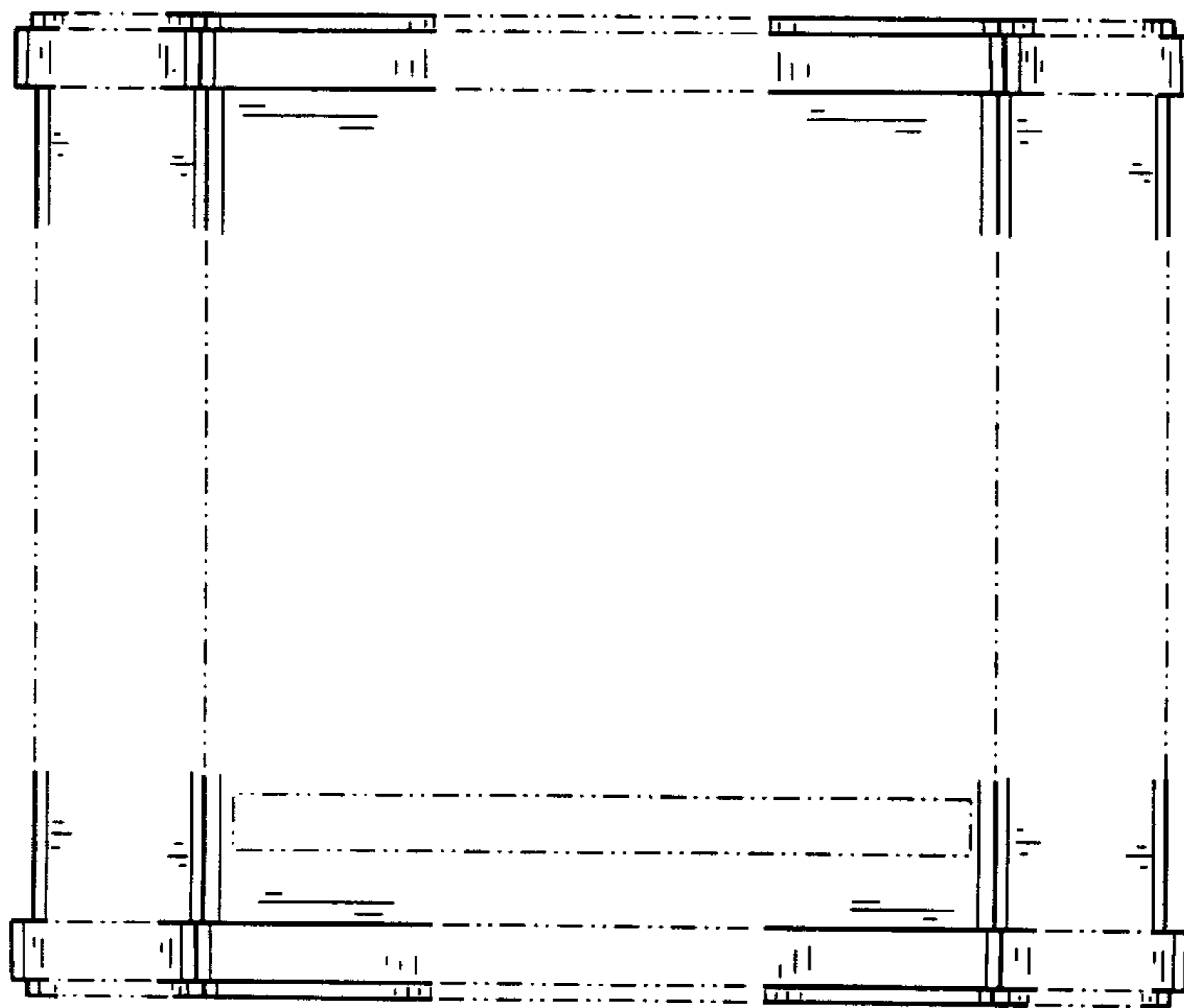
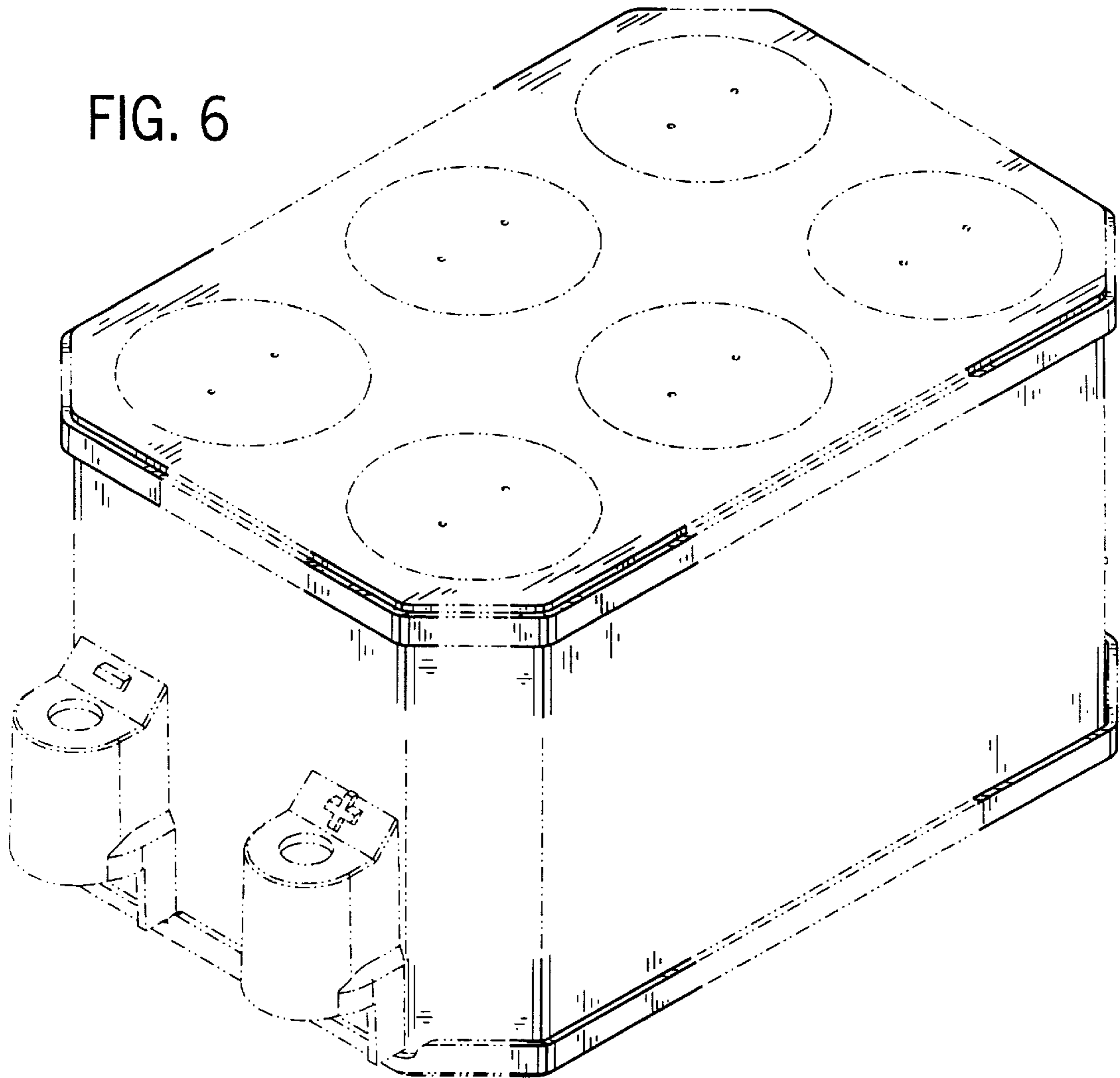


FIG. 5

FIG. 6



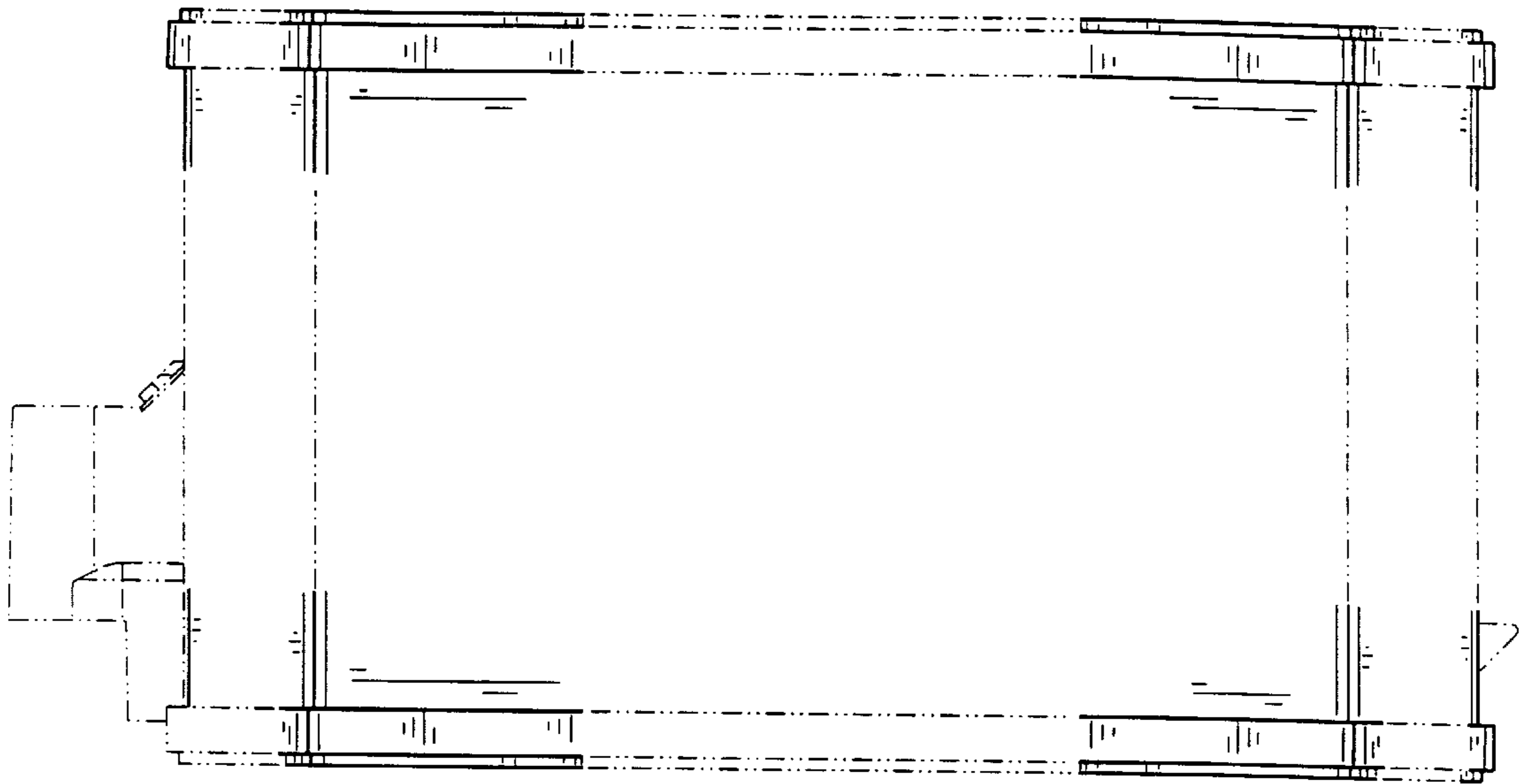


FIG. 7

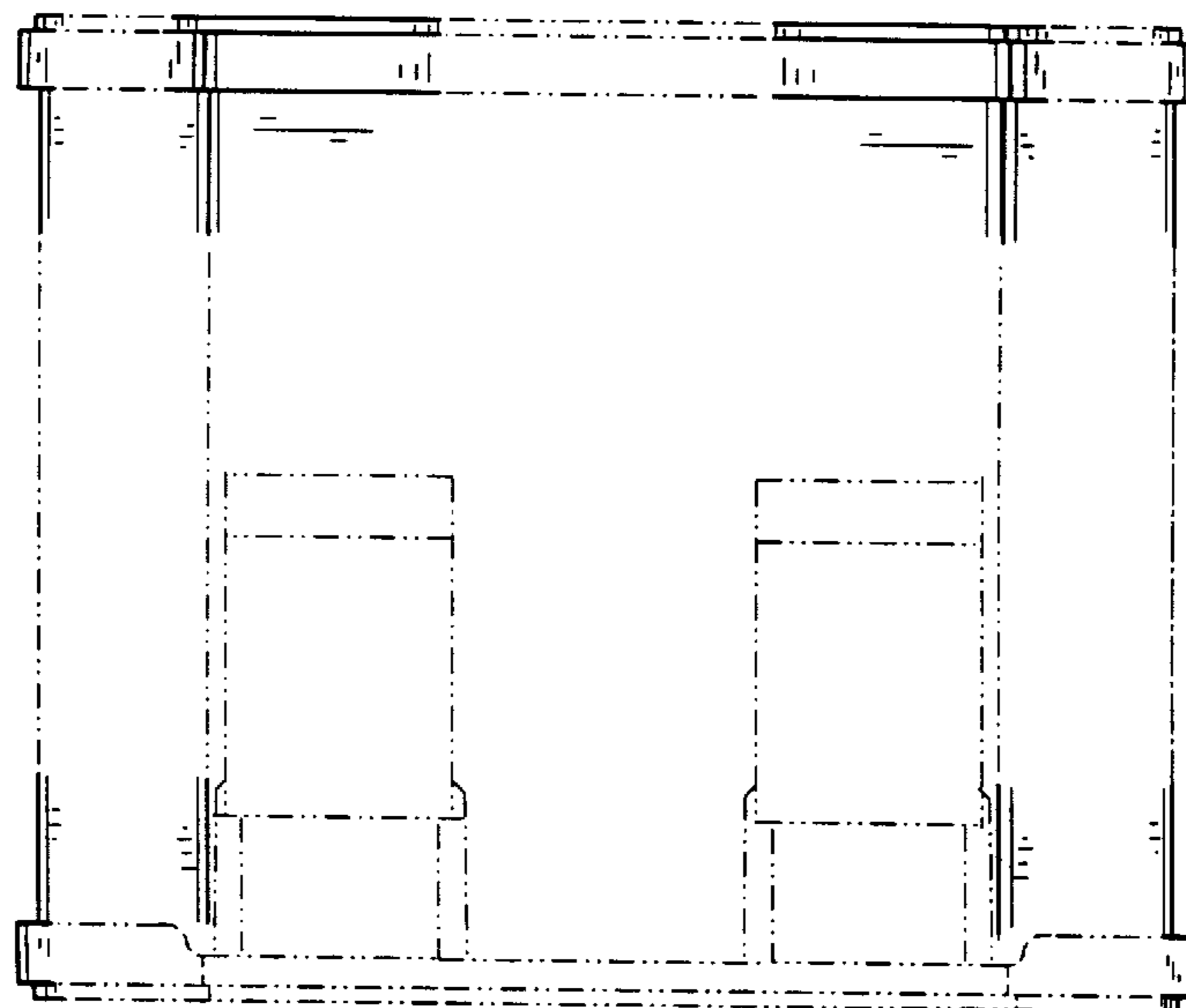


FIG. 8