



US00D442536S

(12) **United States Design Patent**  
**Chung**

(10) **Patent No.:** **US D442,536 S**

(45) **Date of Patent:** **\*\* May 22, 2001**

(54) **AUTOMOTIVE WHEEL**

(75) **Inventor:** **Suny Chung**, Placentia, CA (US)

(73) **Assignee:** **DM Tech America, INC**, Cerritos, CA (US)

(\*\*) **Term:** **14 Years**

(21) **Appl. No.:** **29/129,975**

(22) **Filed:** **Sep. 26, 2000**

(51) **LOC (7) Cl.** ..... **12-16**

(52) **U.S. Cl.** ..... **D12/211**

(58) **Field of Search** ..... D12/204-211;  
301/37.1, 64.1, 65

(56) **References Cited**

**U.S. PATENT DOCUMENTS**

D. 398,275	*	9/1998	Neeper	.....	D12/209
D. 407,054	*	3/1999	Kelley	.....	D12/209
D. 408,346	*	4/1999	Goplen	.....	D12/211
D. 409,548	*	5/1999	Chung	.....	D12/209

D. 409,550	*	5/1999	Chung	.....	D12/209
D. 411,502	*	6/1999	Chung	.....	D12/211
D. 413,298	*	8/1999	Hussaini et al.	.....	D12/211
D. 425,850	*	5/2000	Chung	.....	D12/211
D. 433,985	*	11/2000	Pfeiffer	.....	D12/209
D. 436,572	*	1/2001	Brown	.....	D12/209

\* cited by examiner

*Primary Examiner*—Stacia Cadmus

(74) *Attorney, Agent, or Firm*—G. Donald Weber, Jr.

(57) **CLAIM**

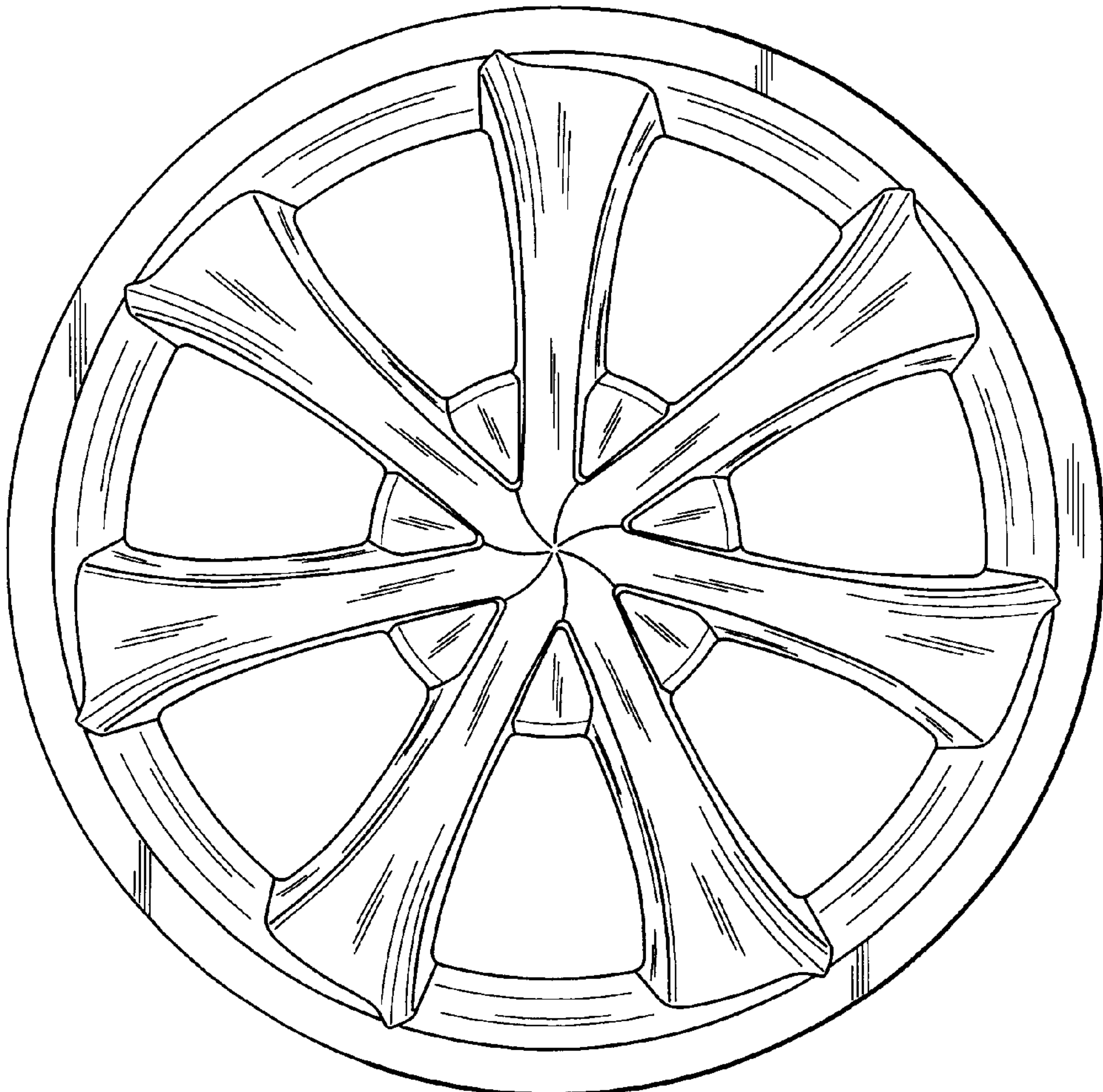
The ornamental design for an automotive wheel, as shown and described.

**DESCRIPTION**

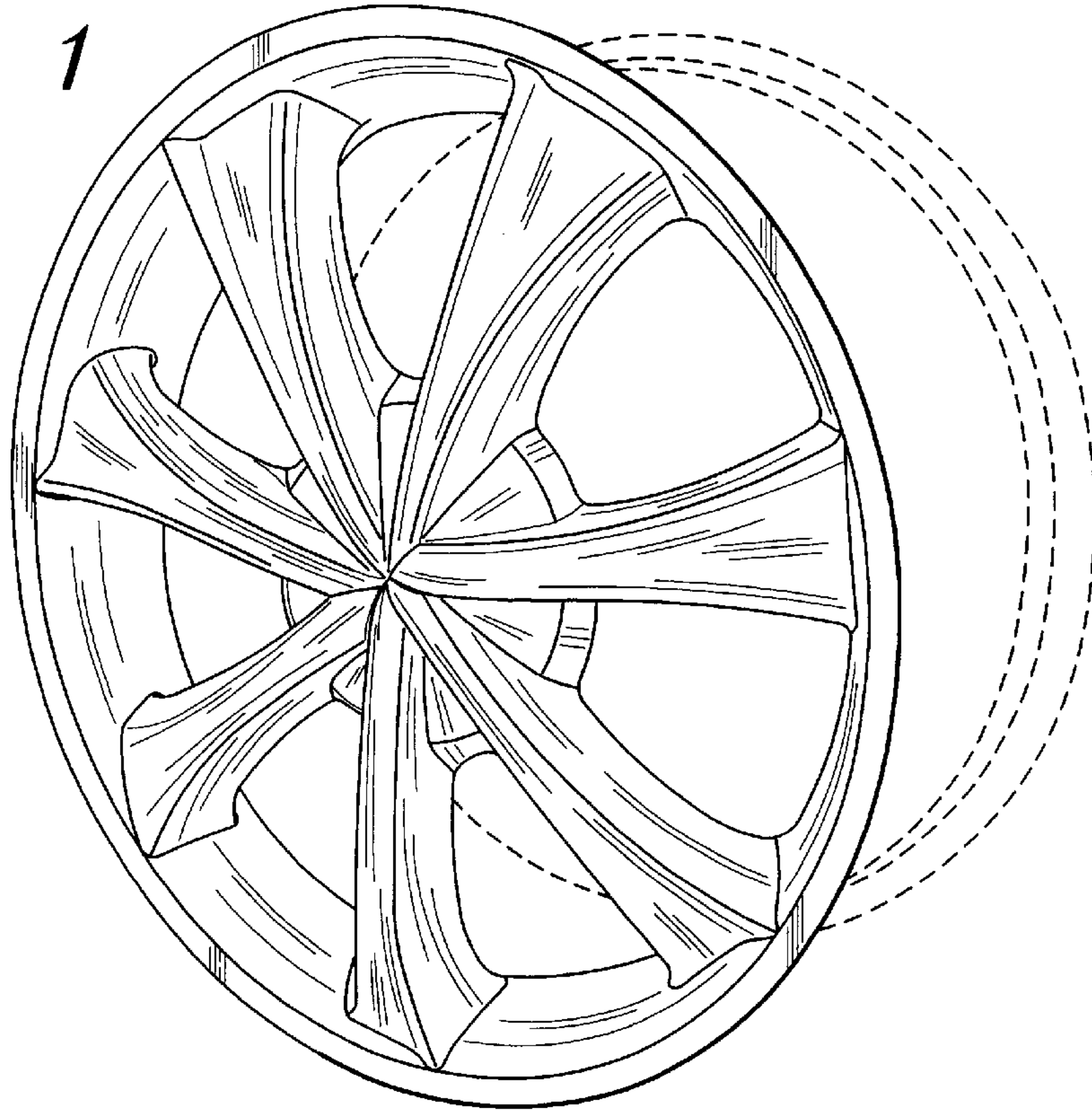
FIG. 1 is an oblique view of the automotive wheel of the instant invention; and, FIG. 2 is a front view of the automotive wheel of the instant invention.

The broken line showing of environment is for illustrative purposes only and forms no part of the claimed design.

**1 Claim, 1 Drawing Sheet**



*Fig. 1*



*Fig. 2*

