



US00D442535S

(12) **United States Design Patent**
Lotson

(10) **Patent No.:** **US D442,535 S**

(45) **Date of Patent:** **** May 22, 2001**

(54) **VEHICLE-WHEEL FRONT FACE**

(75) Inventor: **Demetrius Lotson**, Inglewood, CA
(US)

(73) Assignee: **Mobile Hi-Tech Wheels**, Torrance, CA
(US)

(**) Term: **14 Years**

(21) Appl. No.: **29/134,991**

(22) Filed: **Jan. 2, 2001**

(51) **LOC (7) Cl.** **12-16**

(52) **U.S. Cl.** **D12/209**

(58) **Field of Search** D12/204-211;
301/37.1, 64.1, 65

(56) **References Cited**

U.S. PATENT DOCUMENTS

| | | | | | |
|------------|---|---------|------------|-------|---------|
| D. 402,252 | * | 12/1998 | Kulla | | D12/211 |
| D. 408,778 | * | 4/1999 | Neeper | | D12/211 |
| D. 419,513 | * | 1/2000 | Hartanto | | D12/209 |
| D. 430,524 | * | 9/2000 | Noriega | | D12/209 |
| D. 431,517 | * | 10/2000 | Donikoglu | | D12/209 |
| D. 433,375 | * | 11/2000 | Fitzgerald | | D12/209 |

| | | | | | |
|------------|---|---------|---------|-------|---------|
| D. 435,006 | * | 12/2000 | Brown | | D12/209 |
| D. 436,070 | * | 1/2001 | Lee | | D12/209 |
| D. 436,340 | * | 1/2001 | Kaucher | | D12/209 |
| D. 436,567 | * | 1/2001 | Takechi | | D12/209 |
| D. 436,907 | * | 1/2001 | Ong | | D12/209 |
| D. 436,909 | * | 1/2001 | Lotson | | D12/209 |

* cited by examiner

Primary Examiner—Stacia Cadmus

(74) *Attorney, Agent, or Firm*—Christie, Parker & Hale, LLP

(57) **CLAIM**

The ornamental design for a vehicle-wheel front face, as shown and described.

DESCRIPTION

FIG. 1 is a perspective view of a vehicle-wheel front face according to my new design;

FIG. 2 is a front elevational view thereof; and,

FIG. 3 is a side elevational view thereof.

Portions of the wheel depicted in broken line are for illustrative purposes only, and form no part of the claimed design.

1 Claim, 3 Drawing Sheets

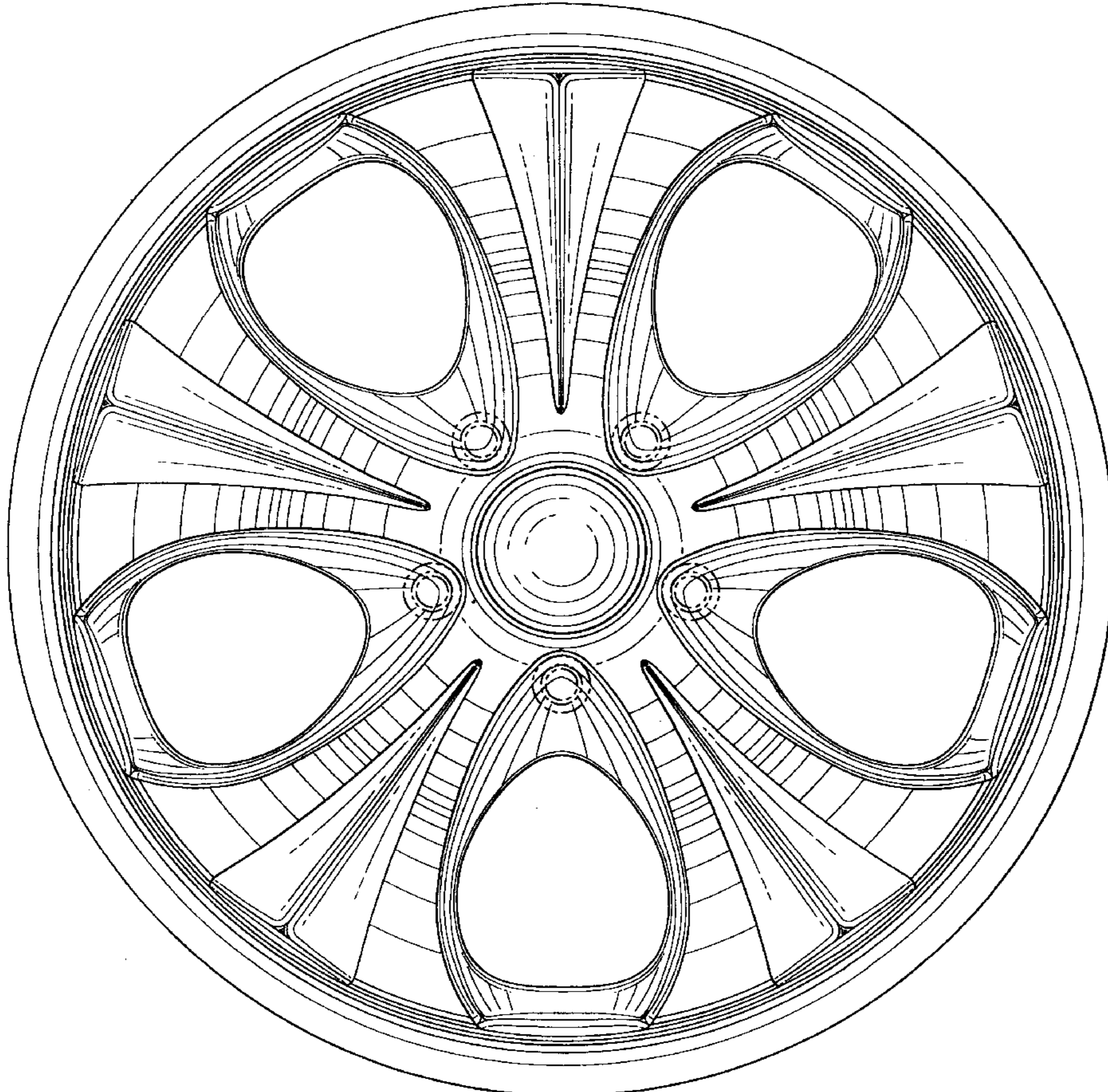


FIG. 1

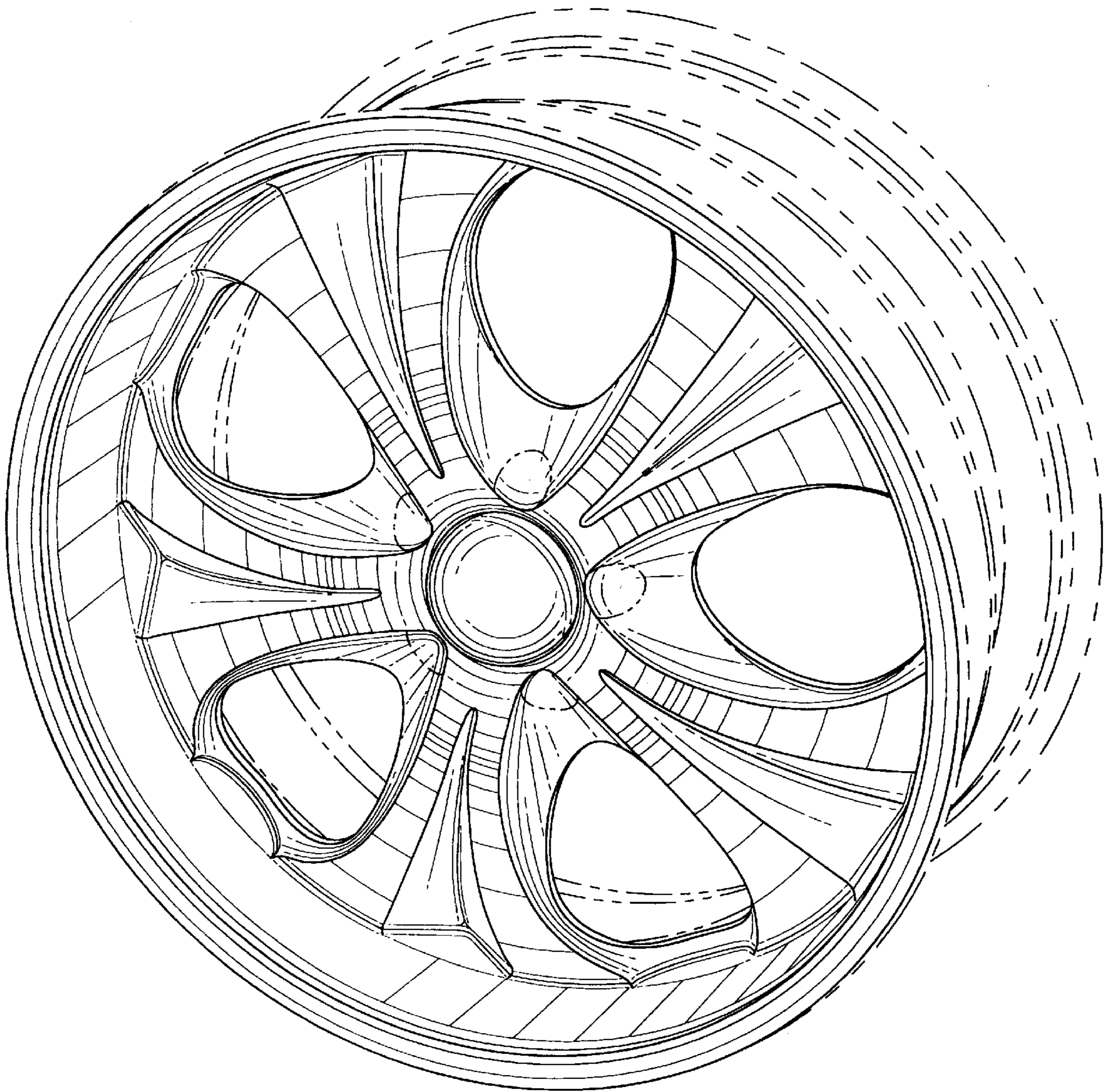


FIG. 2

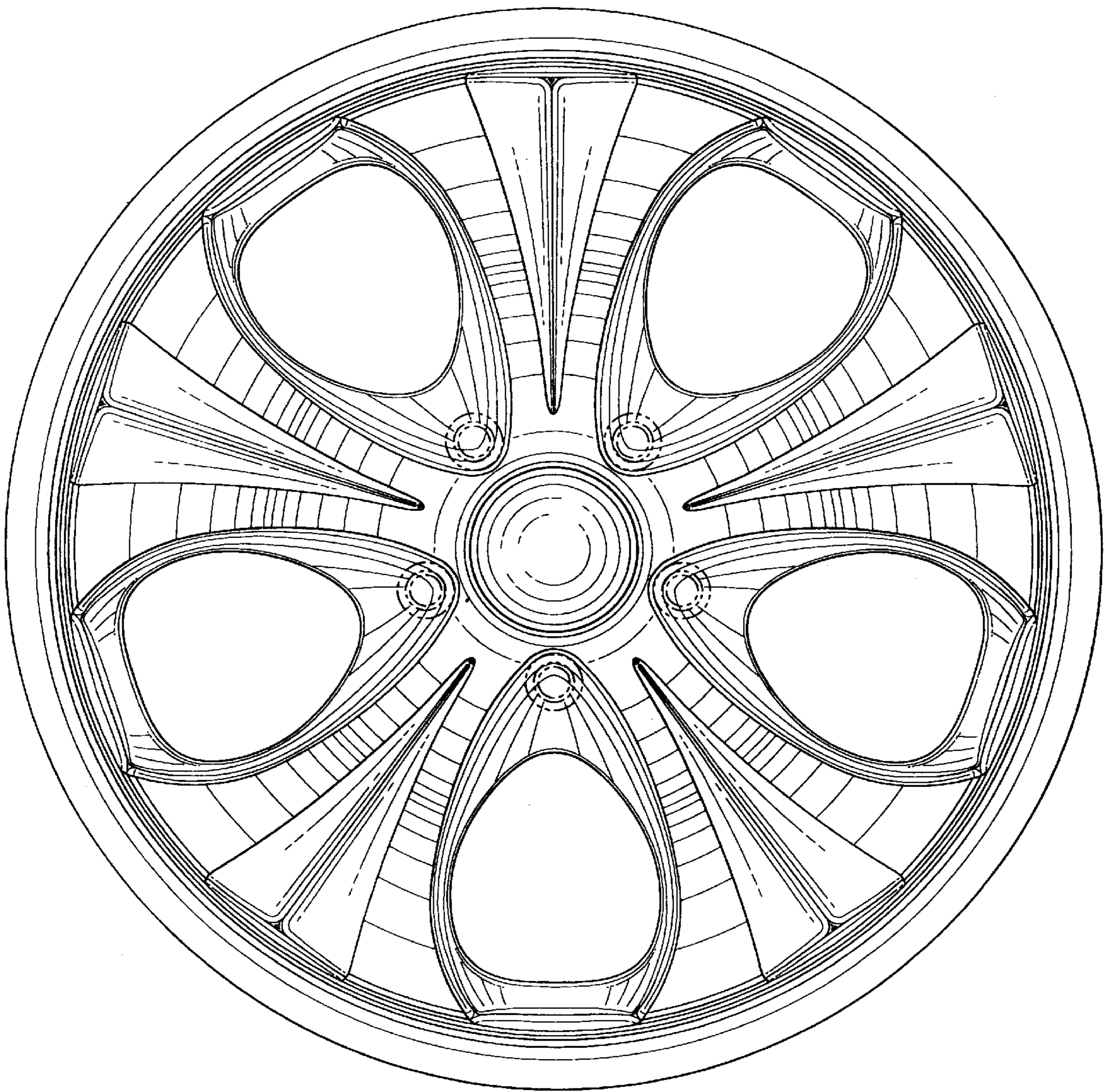


FIG. 3

