



US00D442534S

(12) **United States Design Patent**  
**Wang**

(10) **Patent No.:** **US D442,534 S**

(45) **Date of Patent:** **\*\* May 22, 2001**

(54) **DISK WHEEL COVER**

(76) Inventor: **Chu-Li Wang**, No. 295, Lane 168, Sec. 1, Chang Hsi Road, Tainan (TW)

(\*\*) Term: **14 Years**

(21) Appl. No.: **29/133,465**

(22) Filed: **Dec. 1, 2000**

(51) **LOC (7) Cl.** ..... **12-16**

(52) **U.S. Cl.** ..... **D12/209**

(58) **Field of Search** ..... D12/204-211;  
301/37.1, 64.1, 65

(56) **References Cited**

**U.S. PATENT DOCUMENTS**

- D. 398,276 \* 9/1998 Neeper ..... D12/209
- D. 399,811 \* 10/1998 Echazabal ..... D12/209
- D. 408,004 \* 4/1999 Cullen ..... D12/209
- D. 412,879 \* 8/1999 Hussaini et al. .... D12/209
- D. 430,842 \* 9/2000 Chinellato ..... D12/209
- D. 432,973 \* 10/2000 Fitzgerald ..... D12/209

- D. 433,374 \* 11/2000 Wang ..... D12/209
- D. 433,659 \* 11/2000 Frizzi ..... D12/211
- D. 436,338 \* 1/2001 Hussaini et al. .... D12/209

\* cited by examiner

*Primary Examiner*—Stacia Cadmus

(74) *Attorney, Agent, or Firm*—Bacon & Thomas, PLLC

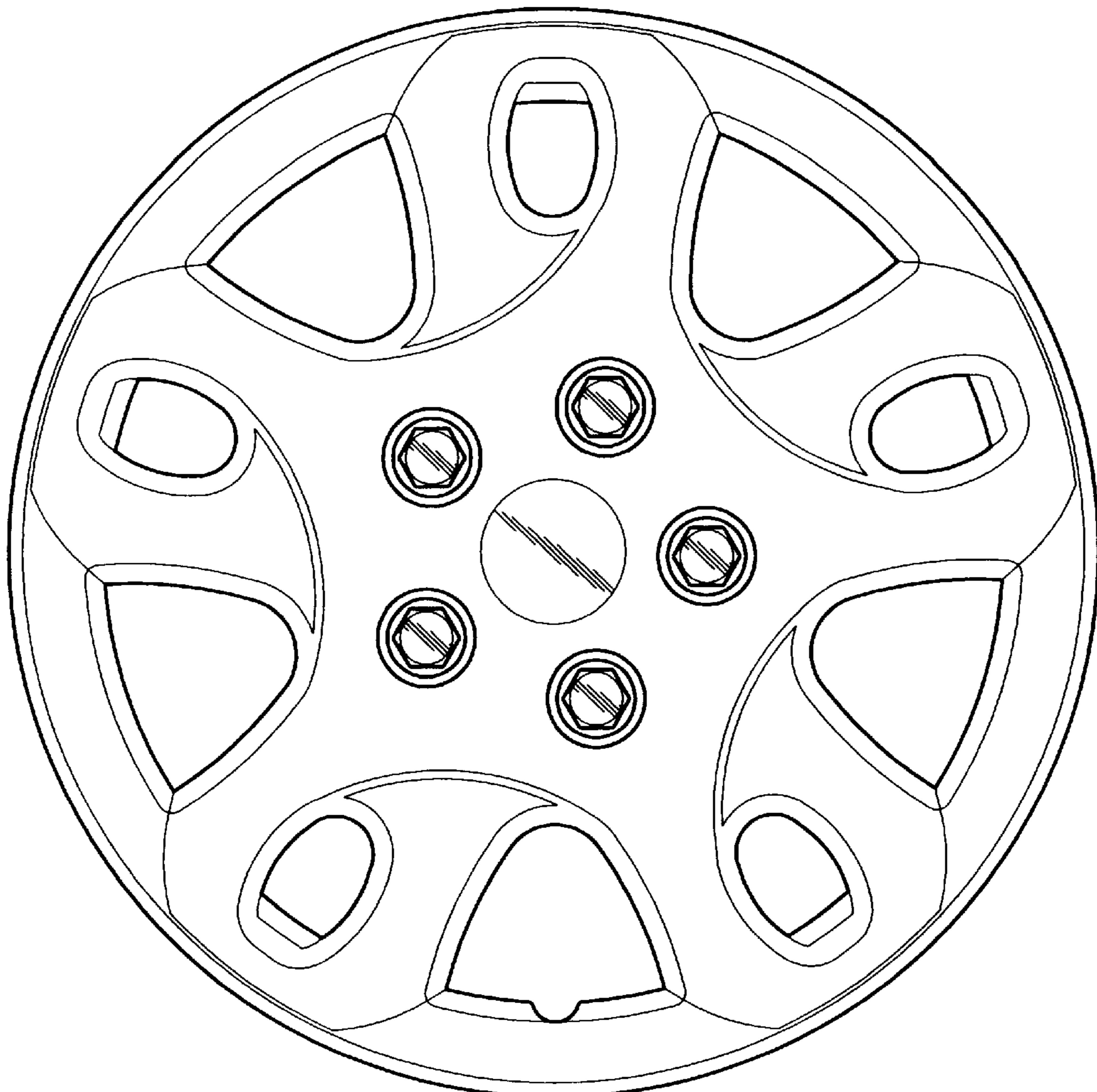
(57) **CLAIM**

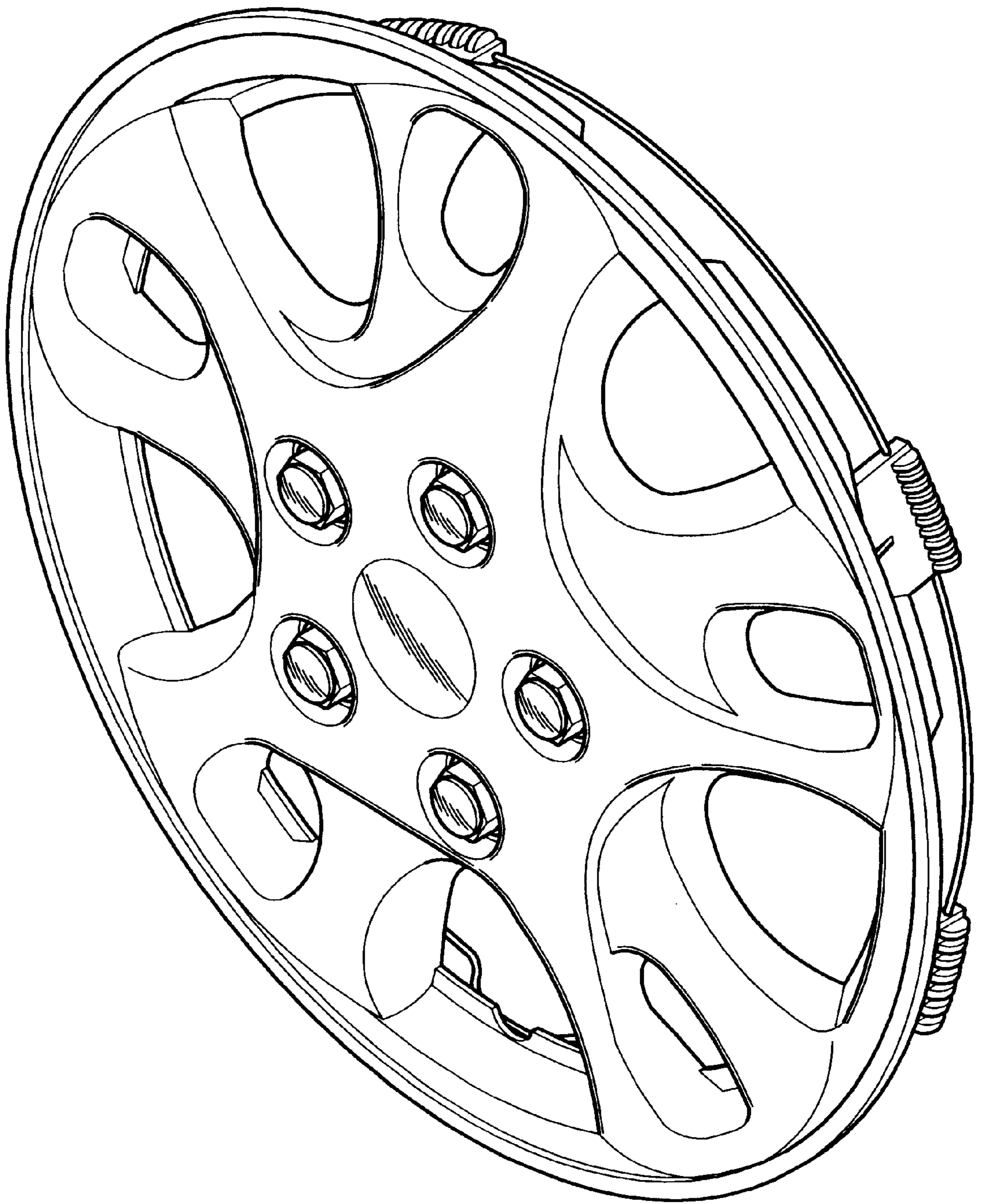
The ornamental design for a disk wheel cover, as shown and described.

**DESCRIPTION**

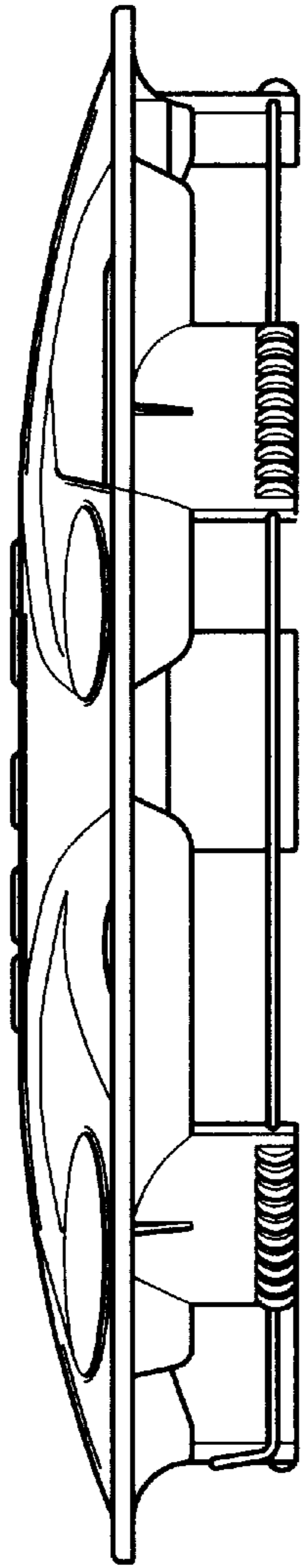
FIG. 1 is a perspective view of a disk wheel cover showing my new design;  
 FIG. 2 is a right side elevational view thereof;  
 FIG. 3 is a top plan view thereof;  
 FIG. 4 is a front elevational view thereof;  
 FIG. 5 is a bottom plan view thereof;  
 FIG. 6 is a left side elevational view thereof; and,  
 FIG. 7 is a rear elevational view.

**1 Claim, 4 Drawing Sheets**

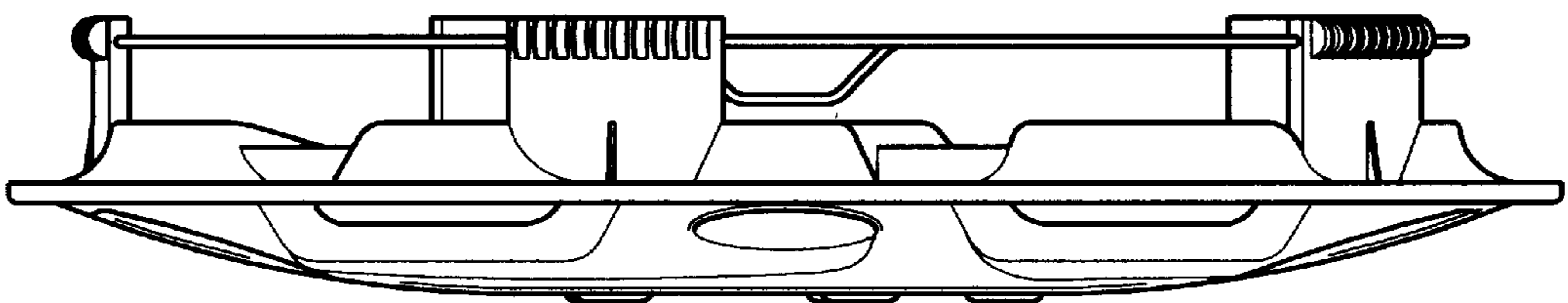




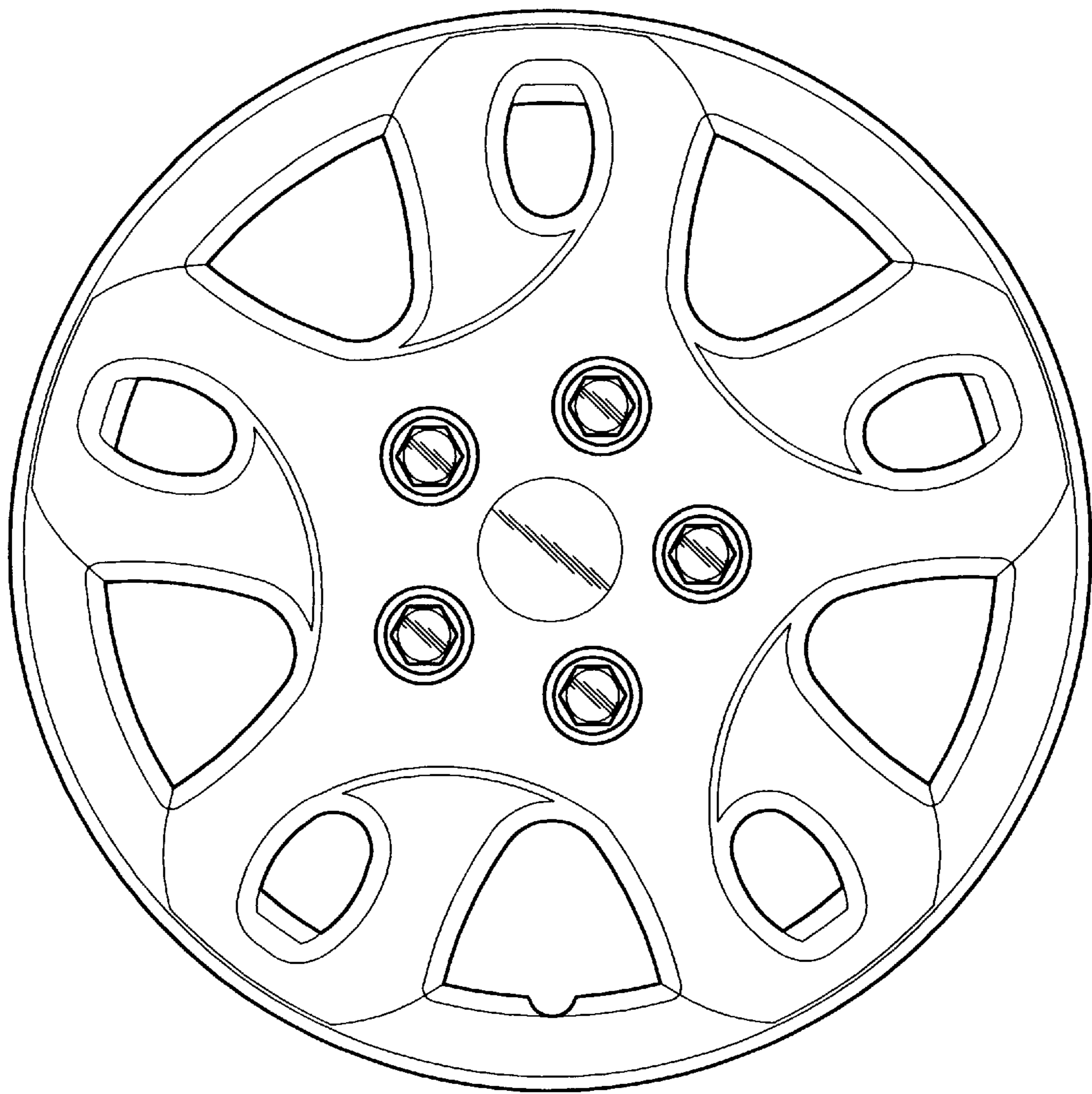
*FIG. 1*



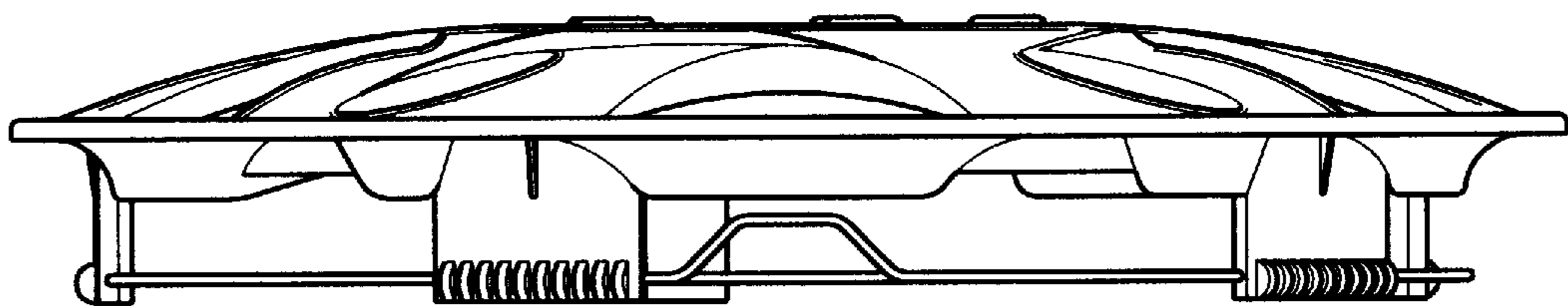
*FIG. 2*



*FIG. 3*



*FIG. 4*



*FIG. 5*

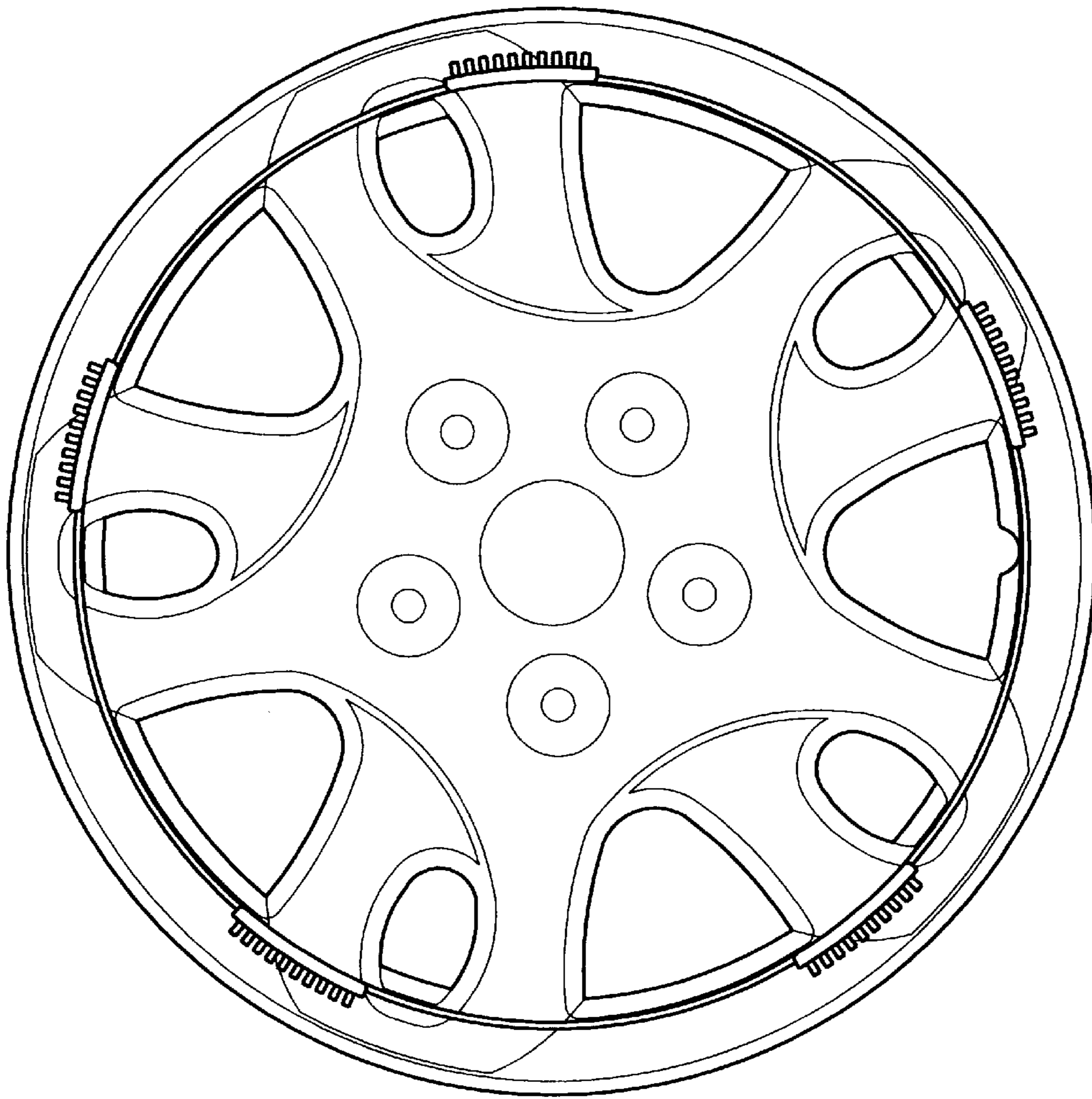


FIG. 7

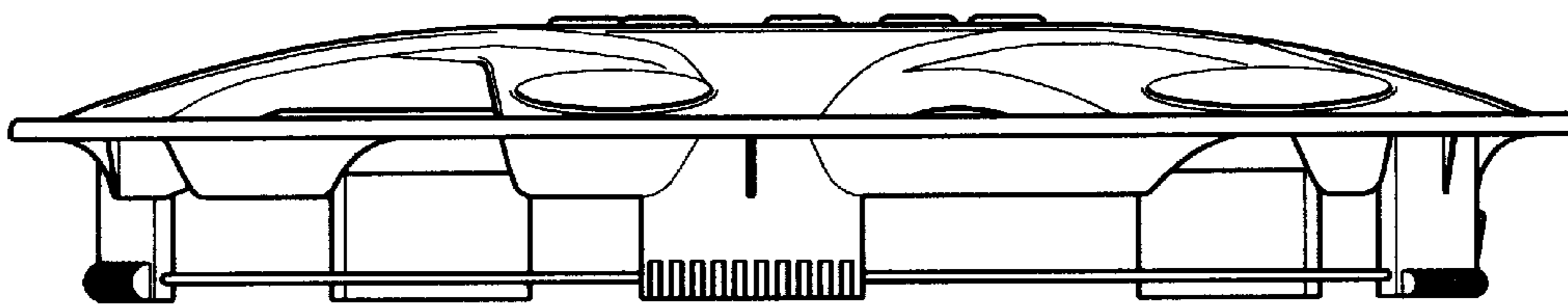


FIG. 6