



US00D442528S

(12) **United States Design Patent**
Terasawa

(10) **Patent No.:** **US D442,528 S**

(45) **Date of Patent:** **** May 22, 2001**

(54) **PORTION OF A DISC BRAKE LEVER**

877136 8/1993 (JP) .
880988 10/1993 (JP) .

(75) Inventor: **Youko Terasawa, Sakai (JP)**

* cited by examiner

(73) Assignee: **Shimano Inc., Osaka (JP)**

Primary Examiner—Melody N. Brown

(**) Term: **14 Years**

(74) *Attorney, Agent, or Firm*—Shinju Global IP Counselors, LLP

(21) Appl. No.: **29/119,308**

(57) **CLAIM**

(22) Filed: **Feb. 29, 2000**

The ornamental design for a portion of a disc brake lever, as shown and described.

(51) **LOC (7) Cl.** **12-16**

(52) **U.S. Cl.** **D12/179**

(58) **Field of Search** D12/179; 74/475,
74/489, 473.14, 502.2

DESCRIPTION

(56) **References Cited**

U.S. PATENT DOCUMENTS

D. 386,734	*	11/1997	Nishimura	D12/179
5,732,598		3/1998	Shoge et al.	74/475
5,819,589		10/1998	Nakashima et al.	74/489
5,865,064		2/1999	Yamashita et al.	74/489
5,941,125		8/1999	Watarai et al.	74/473.14
5,946,978		9/1999	Yamashita	74/502.2
6,035,742	*	3/2000	Hollingsworth	74/551.9
6,053,068	*	4/2000	Yamashita	74/502.2

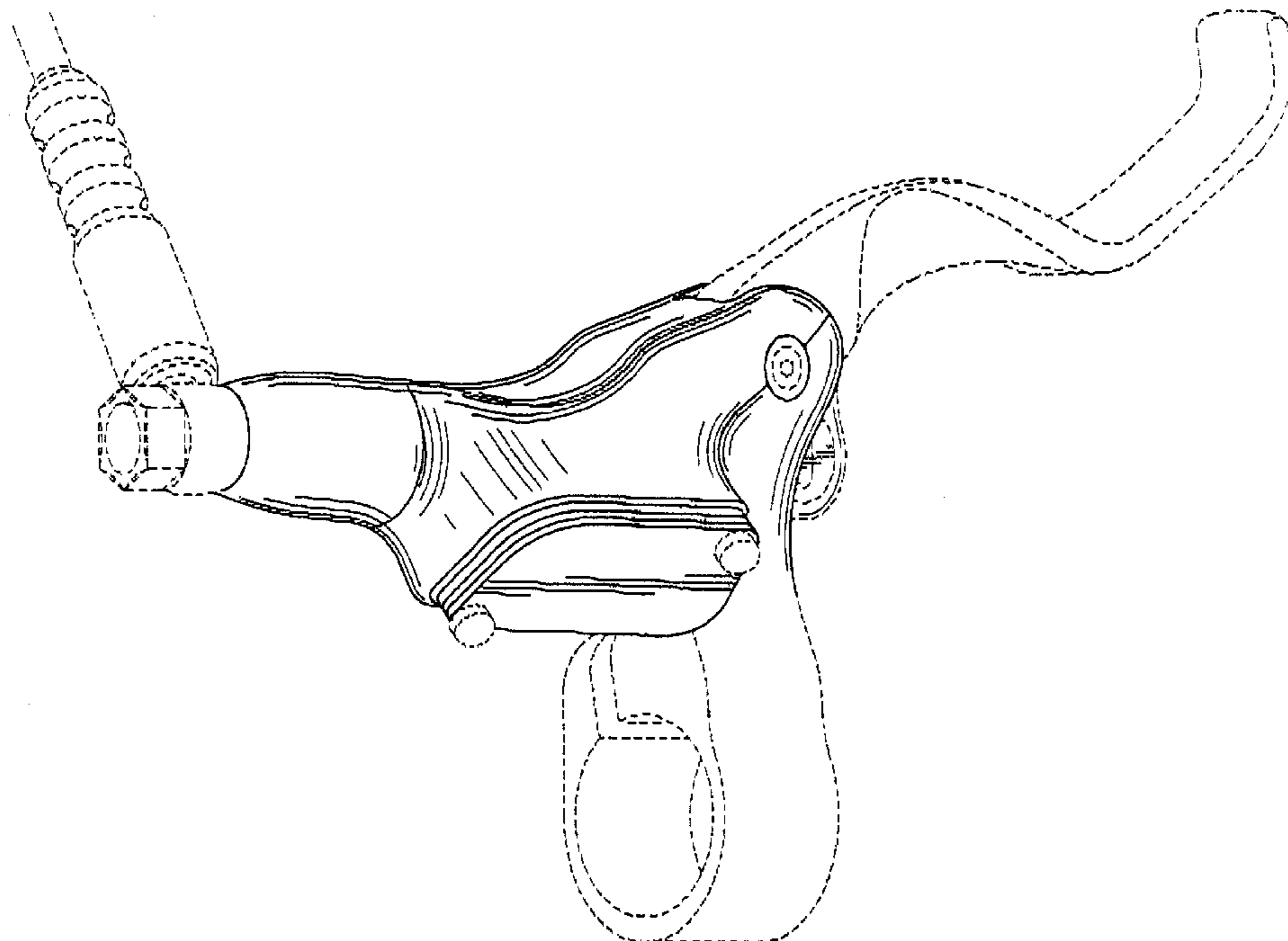
FOREIGN PATENT DOCUMENTS

527565		3/1980	(JP) .
655784		7/1985	(JP) .
874985		8/1993	(JP) .
874986		8/1993	(JP) .
874987		8/1993	(JP) .
874988		8/1993	(JP) .

FIG. 1 is a perspective view of a portion of a disc brake lever in accordance with my new design;
FIG. 2 is a front elevational view thereof;
FIG. 3 is a rear elevational view thereof;
FIG. 4 is an end elevational view thereof;
FIG. 5 is a an opposite end elevational view thereof;
FIG. 6 is a top plan view thereof;
FIG. 7 is a bottom plan view thereof;
FIG. 8 is a rear elevational view of a portion of a disc brake lever showing a second embodiment of my new design, the appearance of the front view is the same as in FIG. 2;
FIG. 9 is an end elevational view of FIG. 8;
FIG. 10 is an an opposite end elevational view of FIG. 8;
FIG. 11 is a top plan view of FIG. 8; and
FIG. 12 is a bottom plan view of FIG. 8.

The lever portions shown in broken lines throughout the drawing views are for illustrative purposes only and form no part of the claimed design.

1 Claim, 7 Drawing Sheets



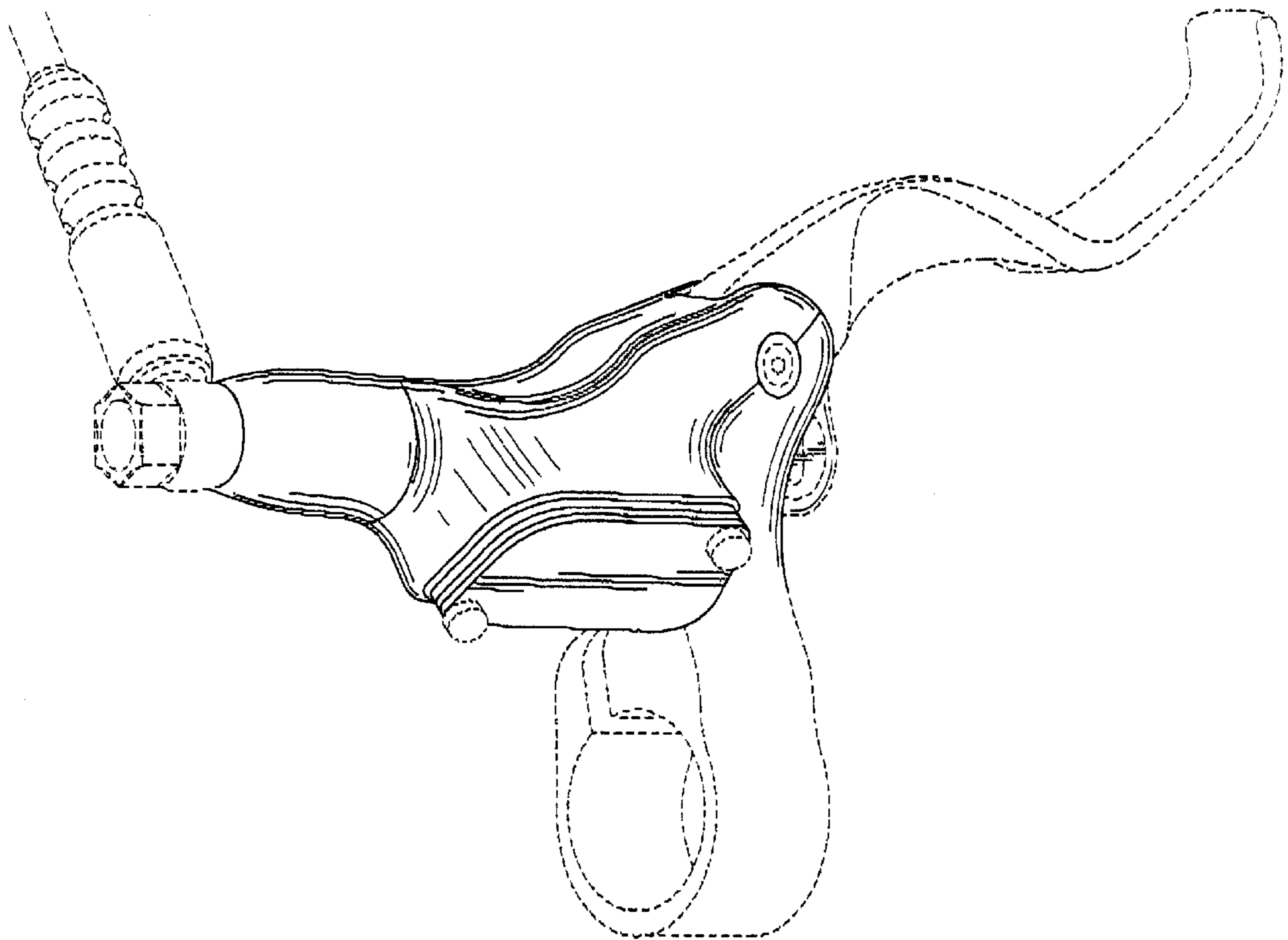


FIG. 1

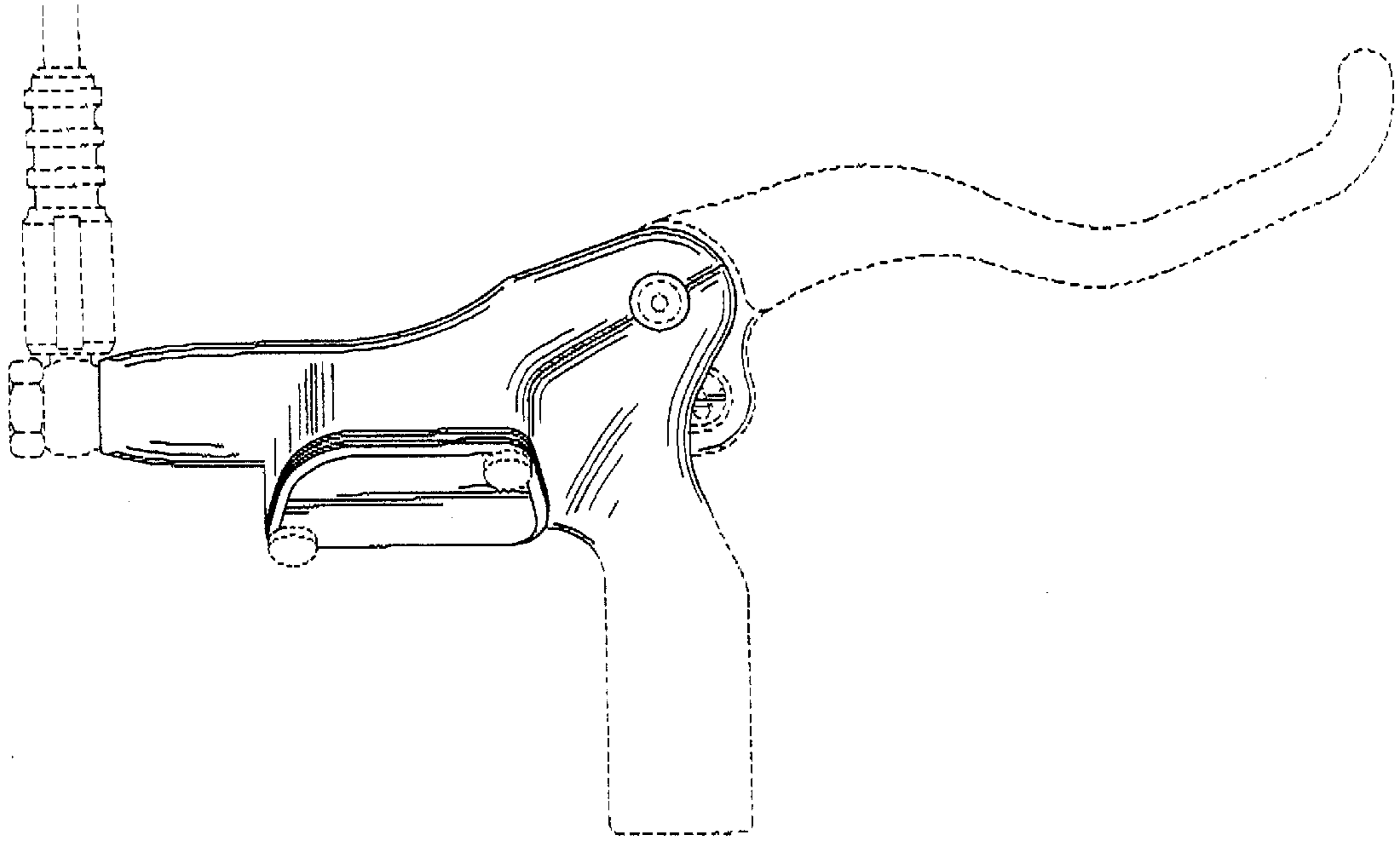


FIG. 2

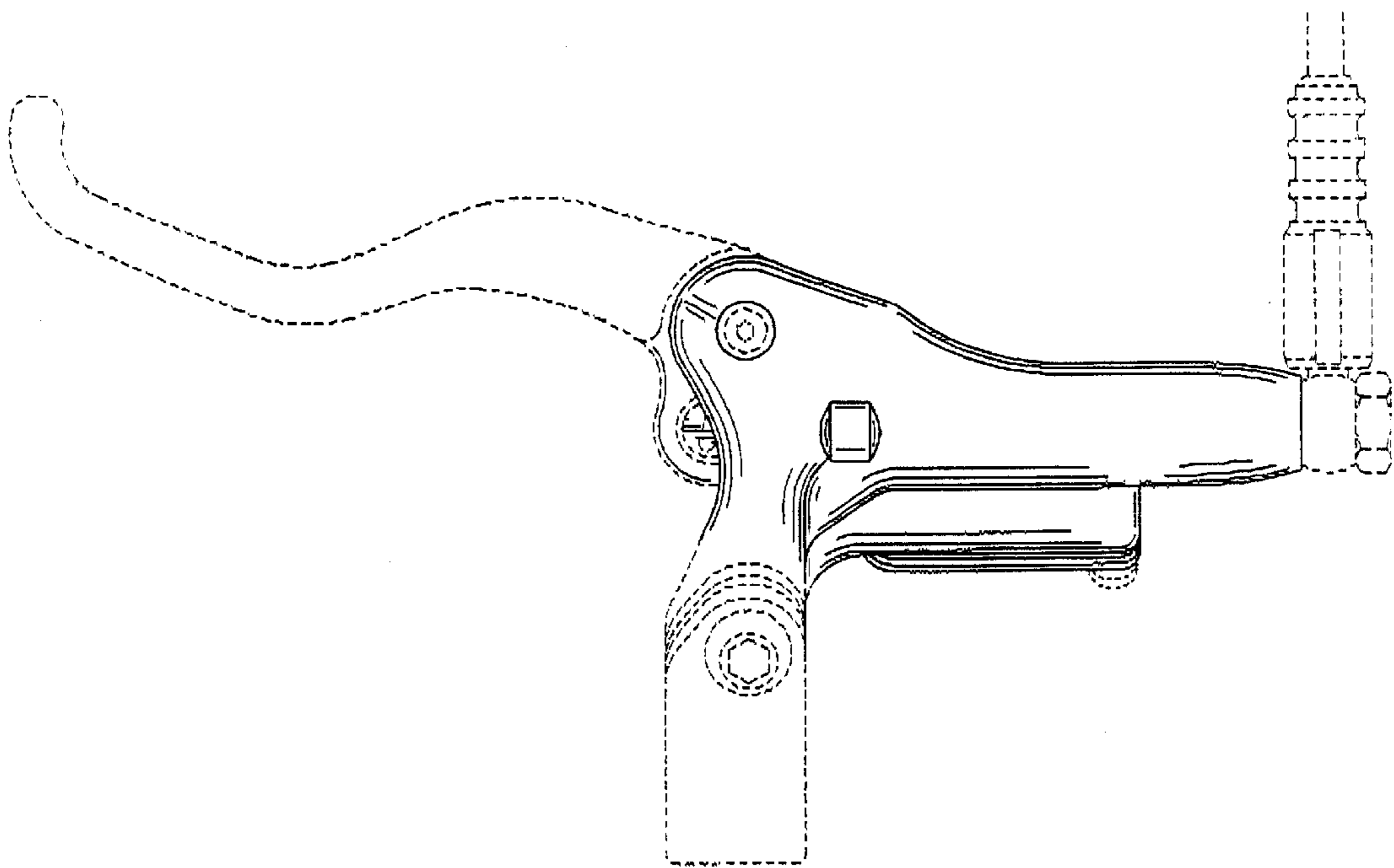


FIG. 3

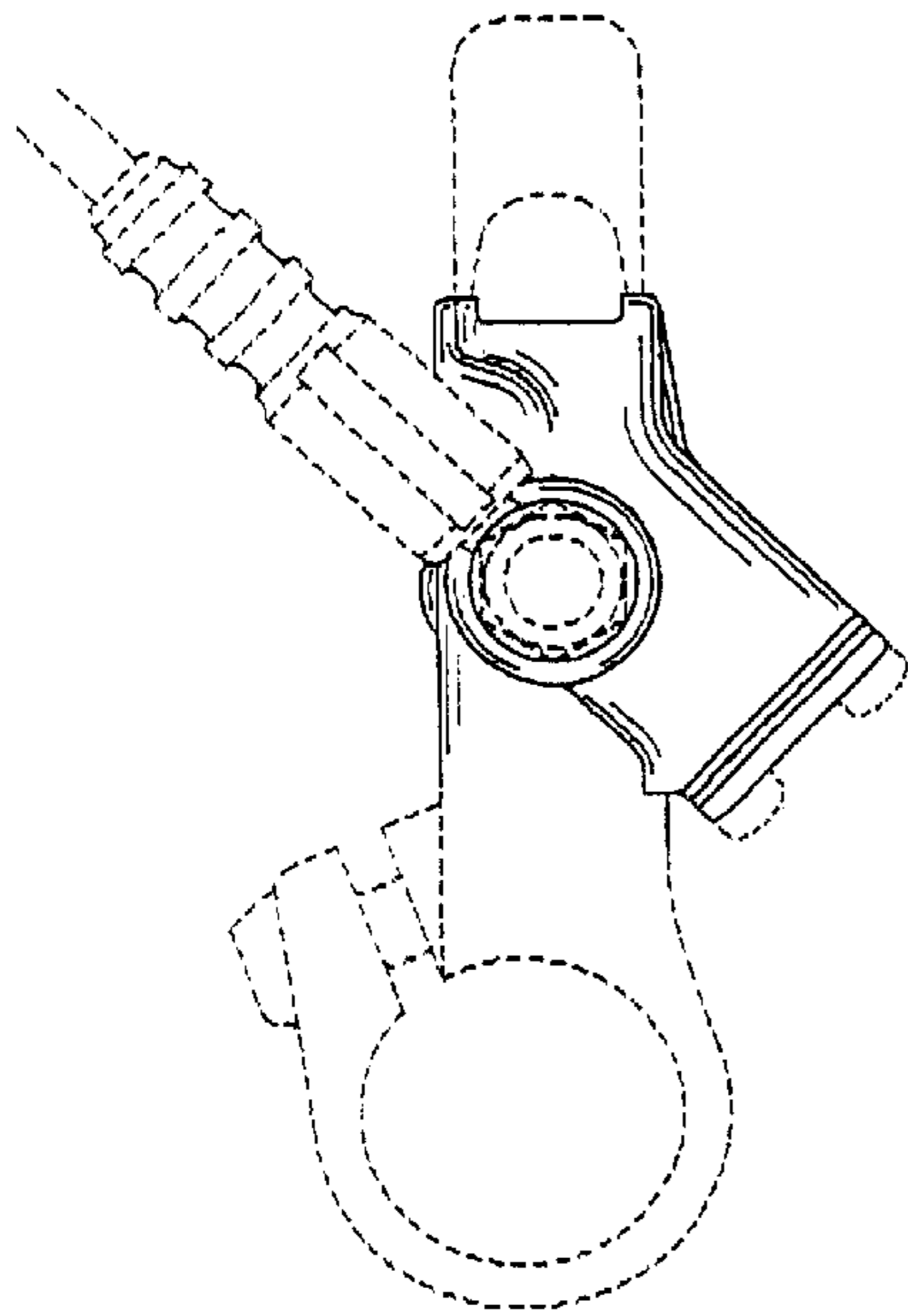


FIG. 4

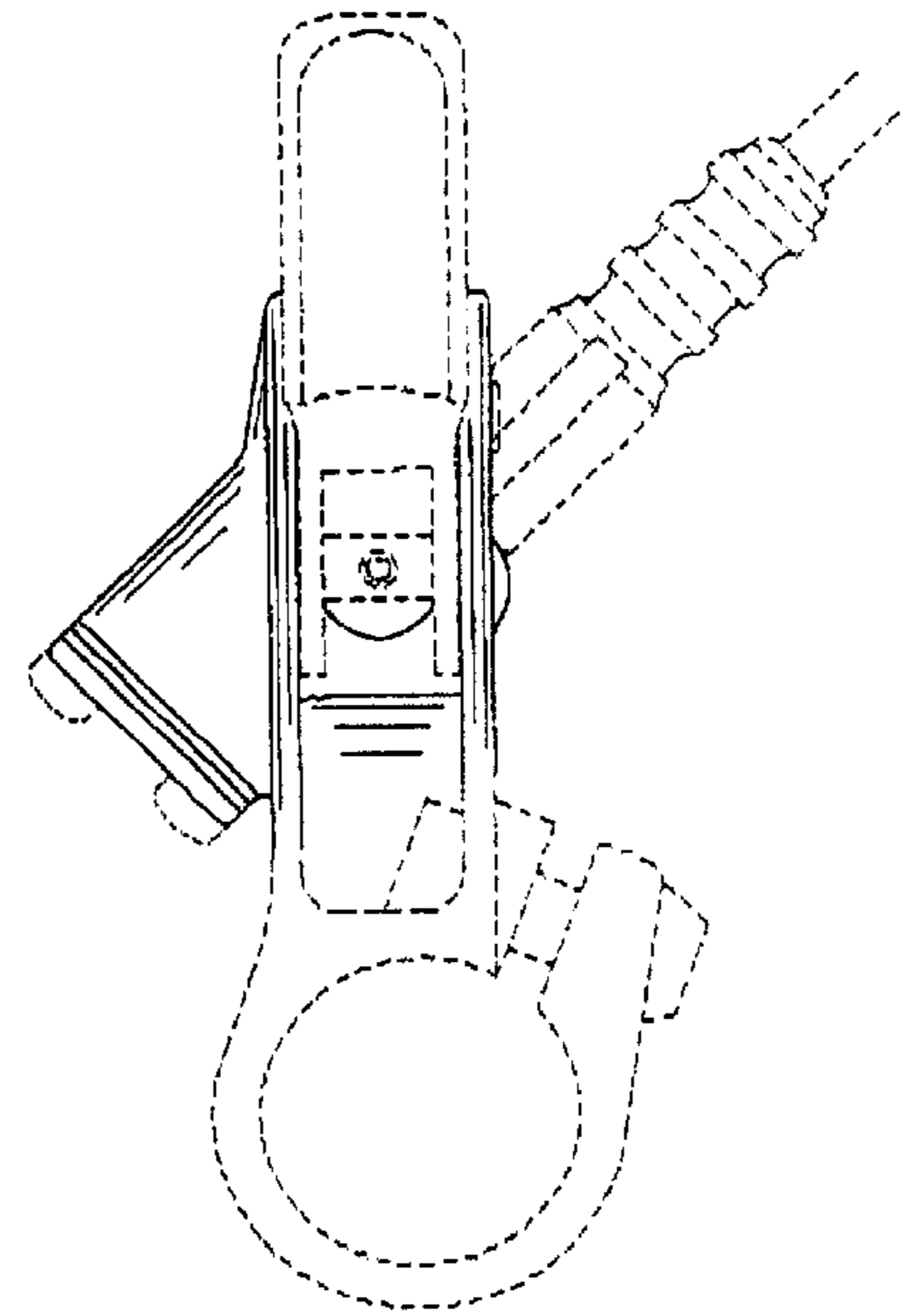


FIG. 5

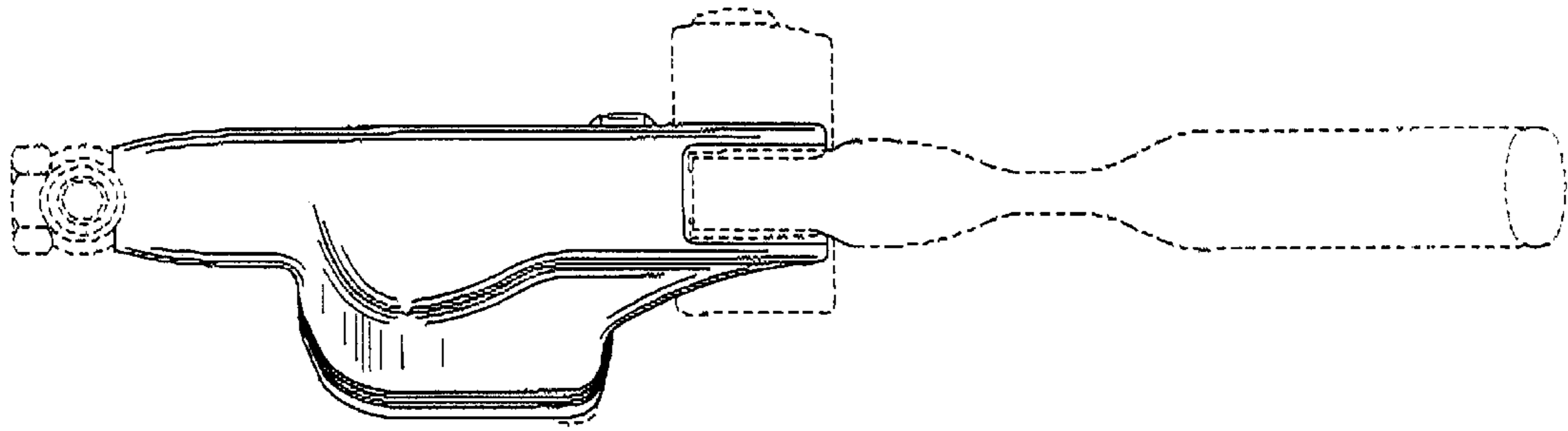


FIG. 6

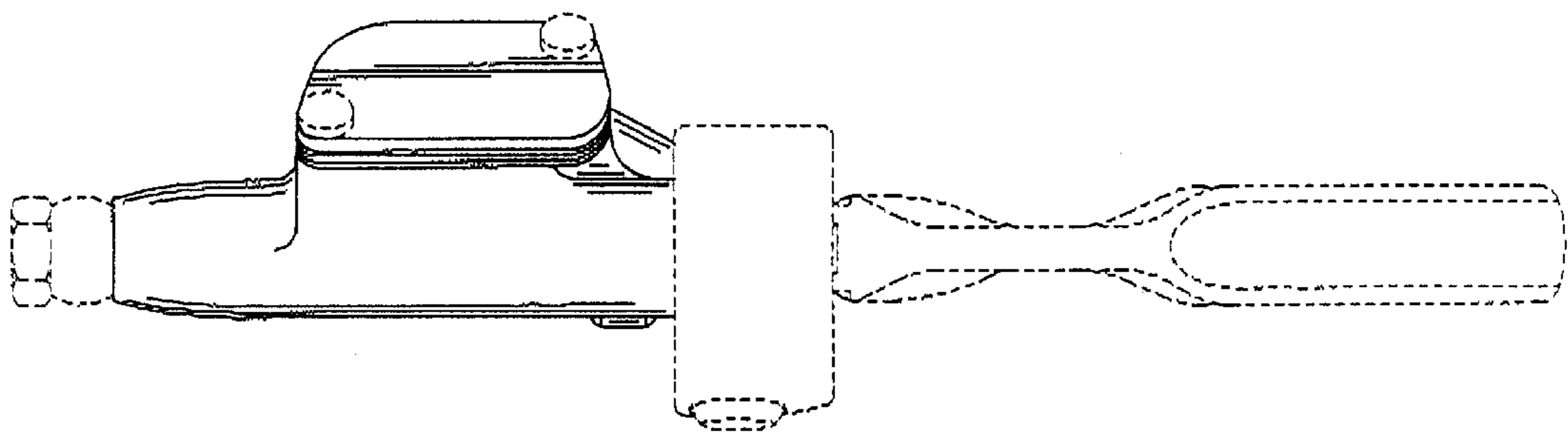


FIG. 7

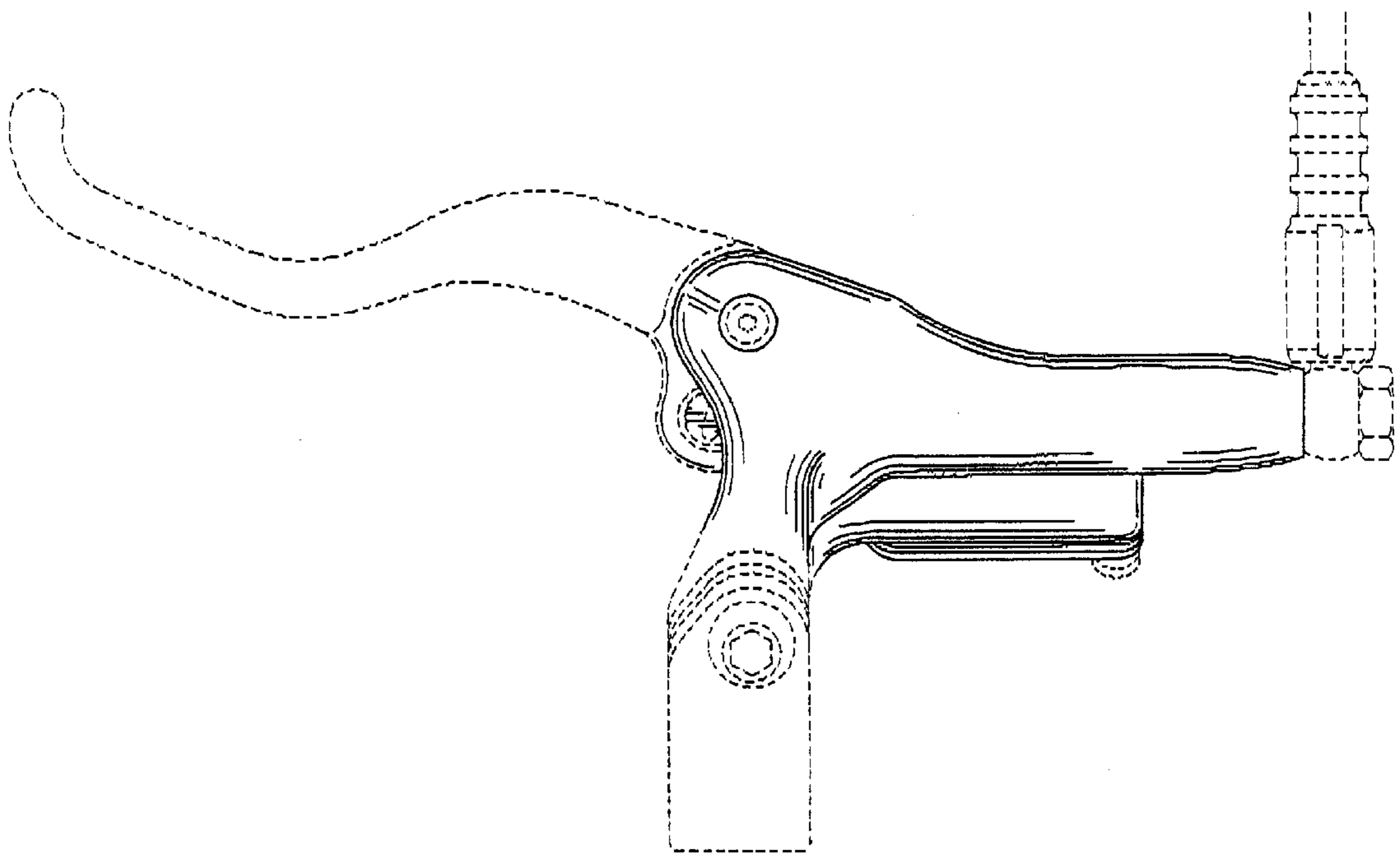


FIG. 8

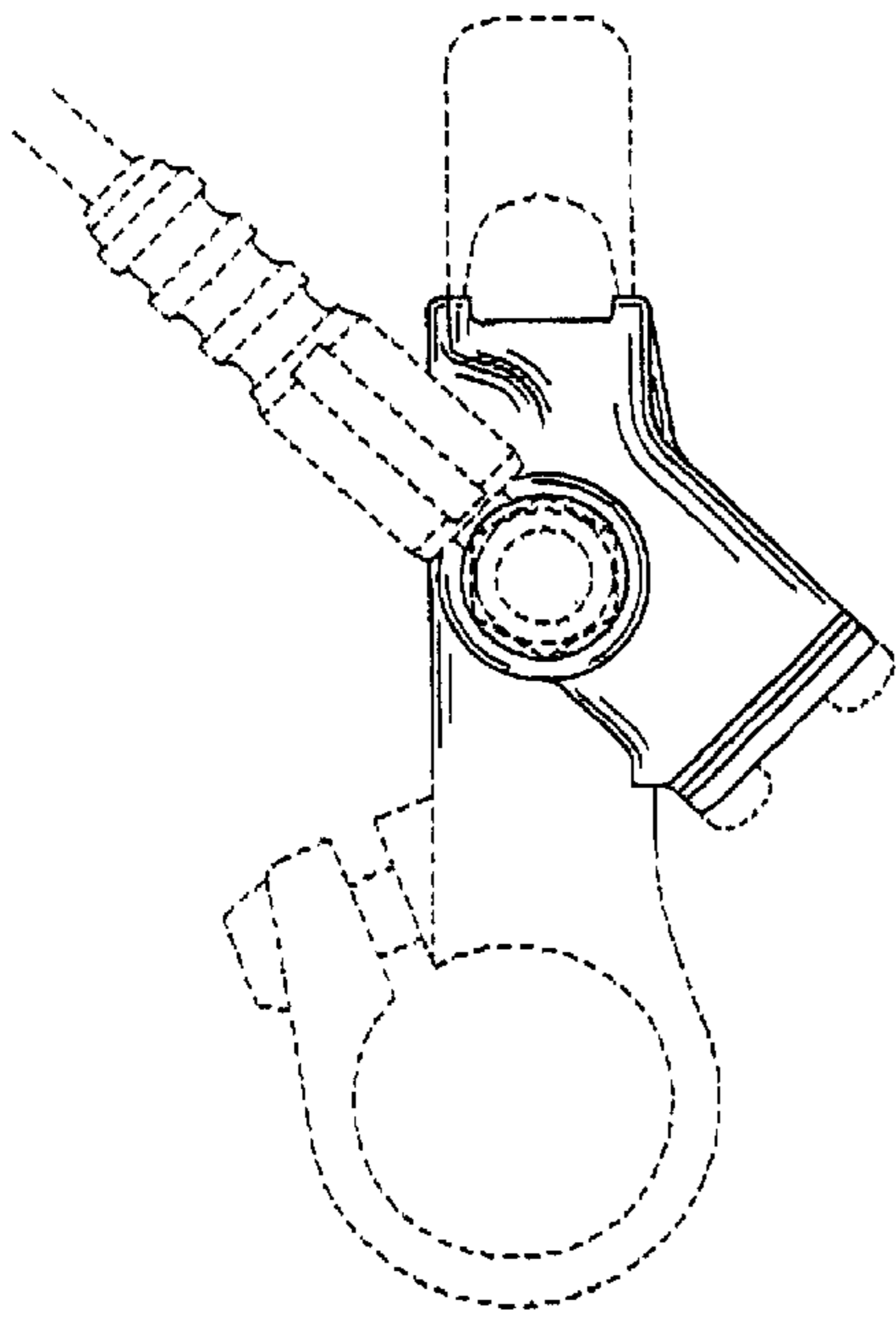


FIG. 9

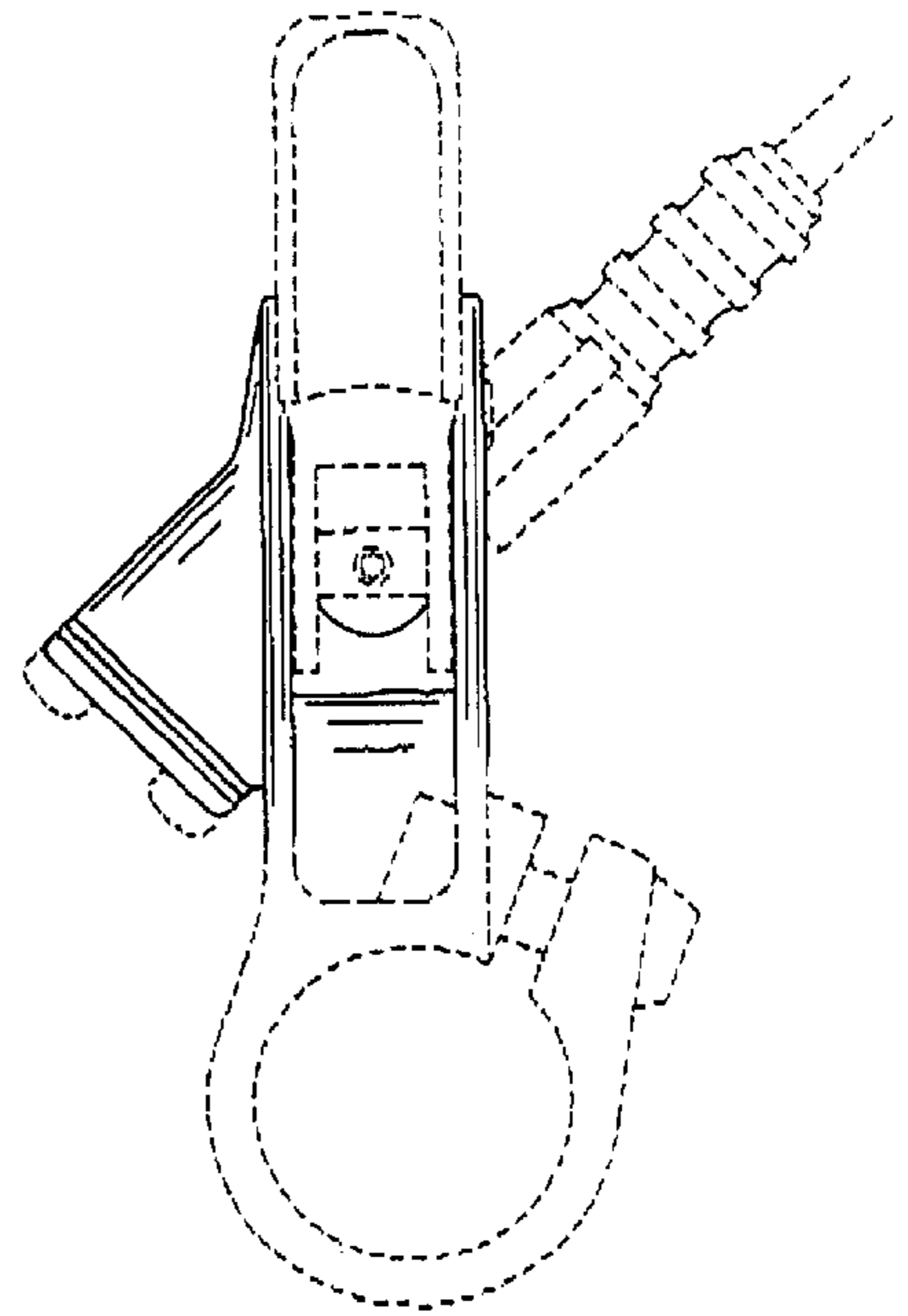


FIG. 10

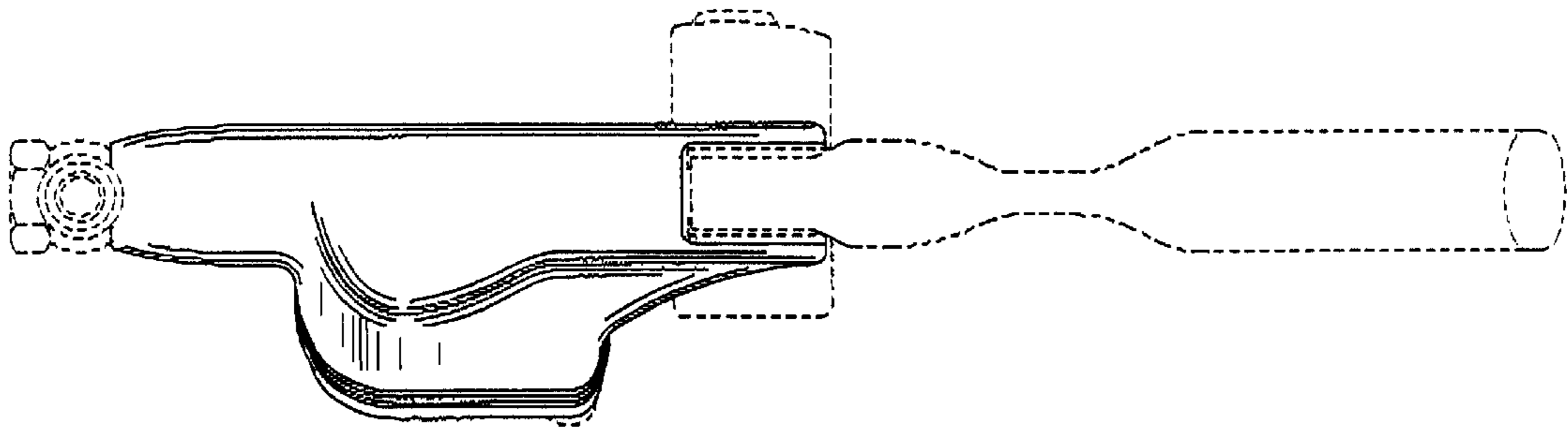


FIG. 11

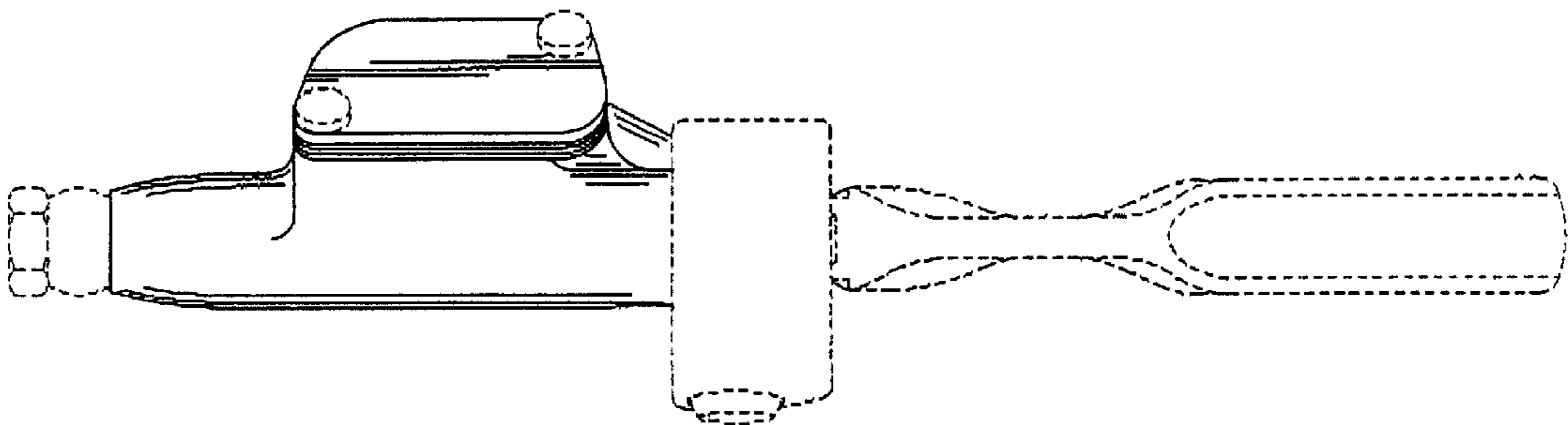


FIG. 12