



US00D442521S

(12) **United States Design Patent** (10) **Patent No.:** **US D442,521 S**  
**Pan** (45) **Date of Patent:** **\*\* May 22, 2001**

(54) **MOTORCYCLE**

(75) Inventor: **Kuo-Cheng Pan**, Kaohsiung Hsien (TW)

(73) Assignee: **Kwang Yang Motor Co., Ltd.**, Kaohsiung (TW)

(\*\*) Term: **14 Years**

(21) Appl. No.: **29/128,151**

(22) Filed: **Aug. 21, 2000**

(51) **LOC (7) Cl.** ..... **12-11**

(52) **U.S. Cl.** ..... **D12/110**

(58) **Field of Search** ..... **D12/110; 180/219**

(56) **References Cited**  
**PUBLICATIONS**

Henshaw, Peter *The Encyclopedia of the Motorcycle*, Edison, NJ, Chartwell Books, Inc. Honda Revere v-twin, p. 180, 1999.\*

Henshaw, Peter, *The Encyclopedia of the Motorcycle*, Edison, NJ, Chartwell Books, Inc. Honda v4 adopted cruiser p. 171, 1999.\*

Henshaw, Peter, *The Encyclopedia of the Motorcycle*, Edison, NJ, Chartwell Books, Inc. Honda Superdream p. 171, 1999.\*

\* cited by examiner

*Primary Examiner*—Joel Sincavage

*Assistant Examiner*—Linda Brooks

(74) *Attorney, Agent, or Firm*—Rosenberg, Klein & Lee

(57) **CLAIM**

The ornamental design for a motorcycle, as shown and described.

**DESCRIPTION**

FIG. 1 is a perspective view of a motorcycle showing my present design;

FIG. 2 is a front view thereof;

FIG. 3 is a rear view thereof;

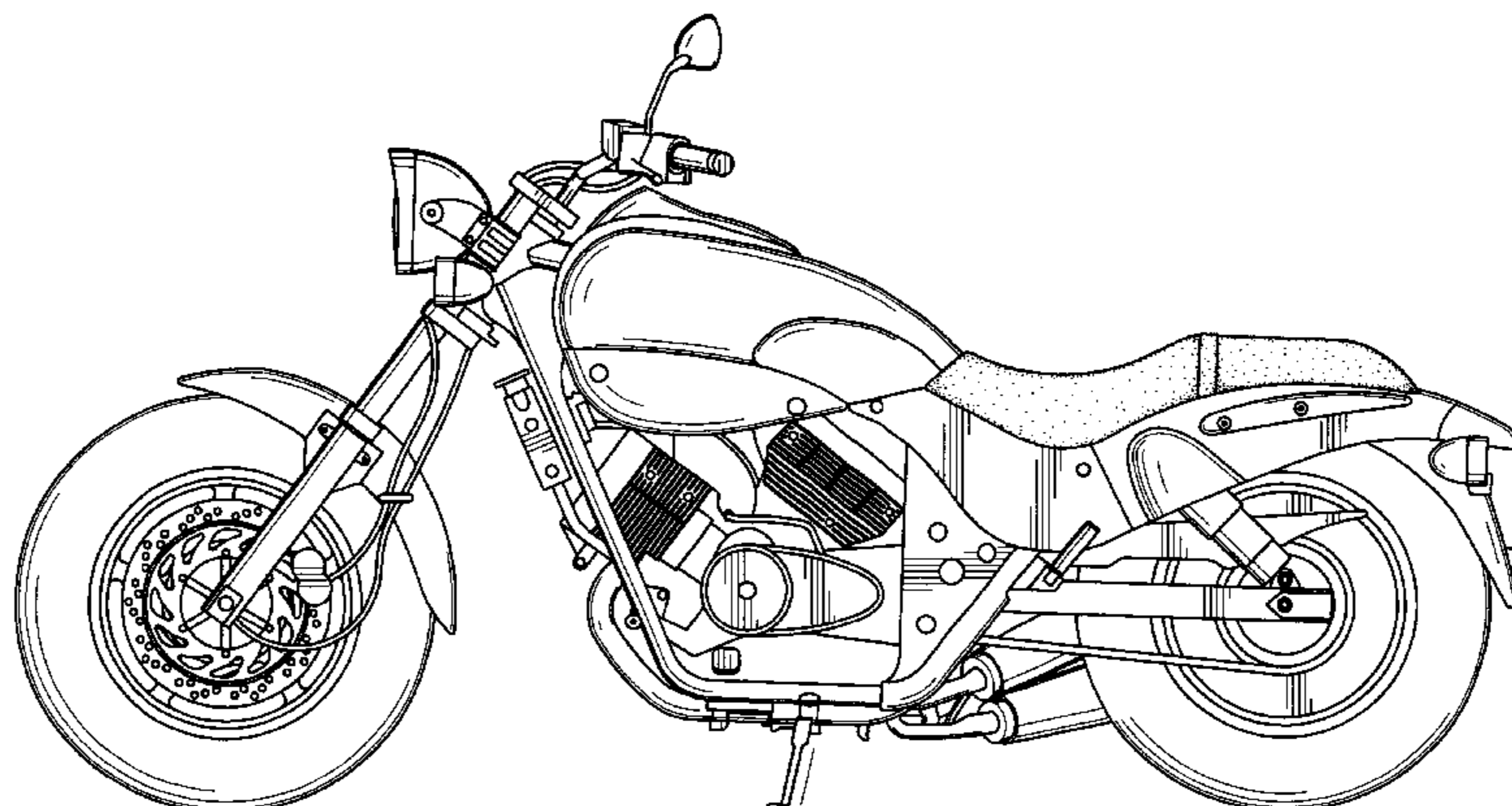
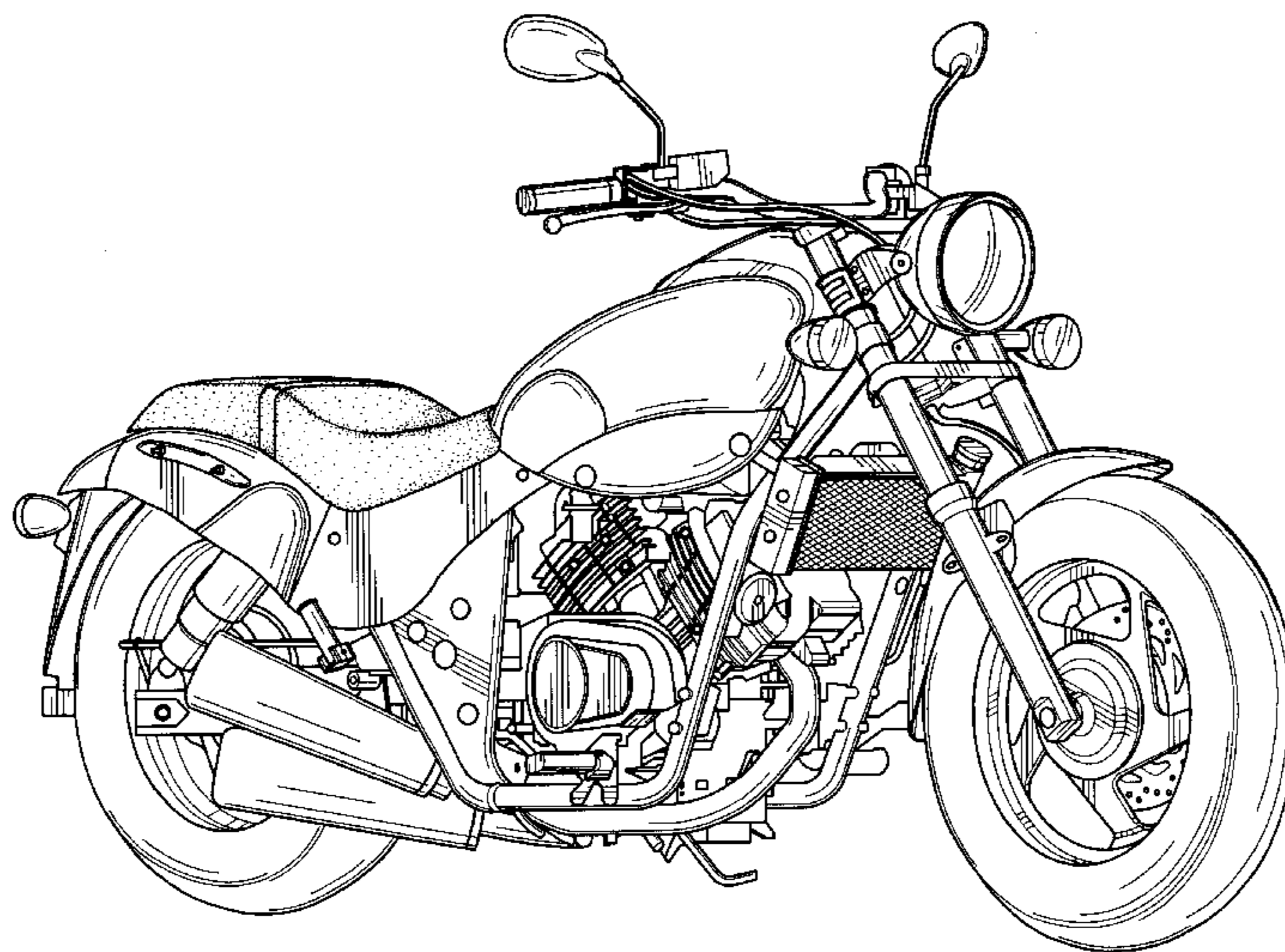
FIG. 4 is a left view thereof;

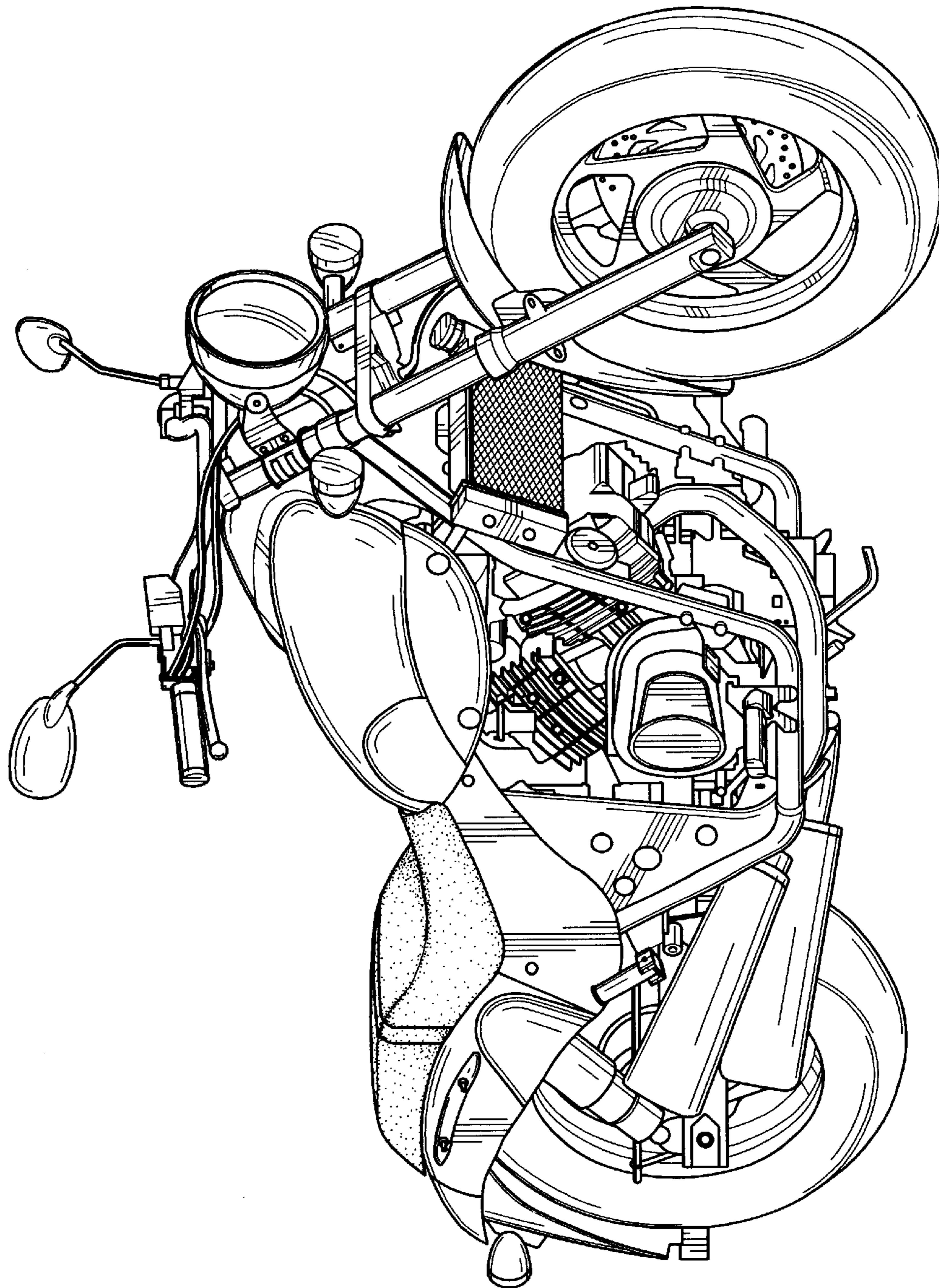
FIG. 5 is a right view thereof;

FIG. 6 is a top plan view thereof; and,

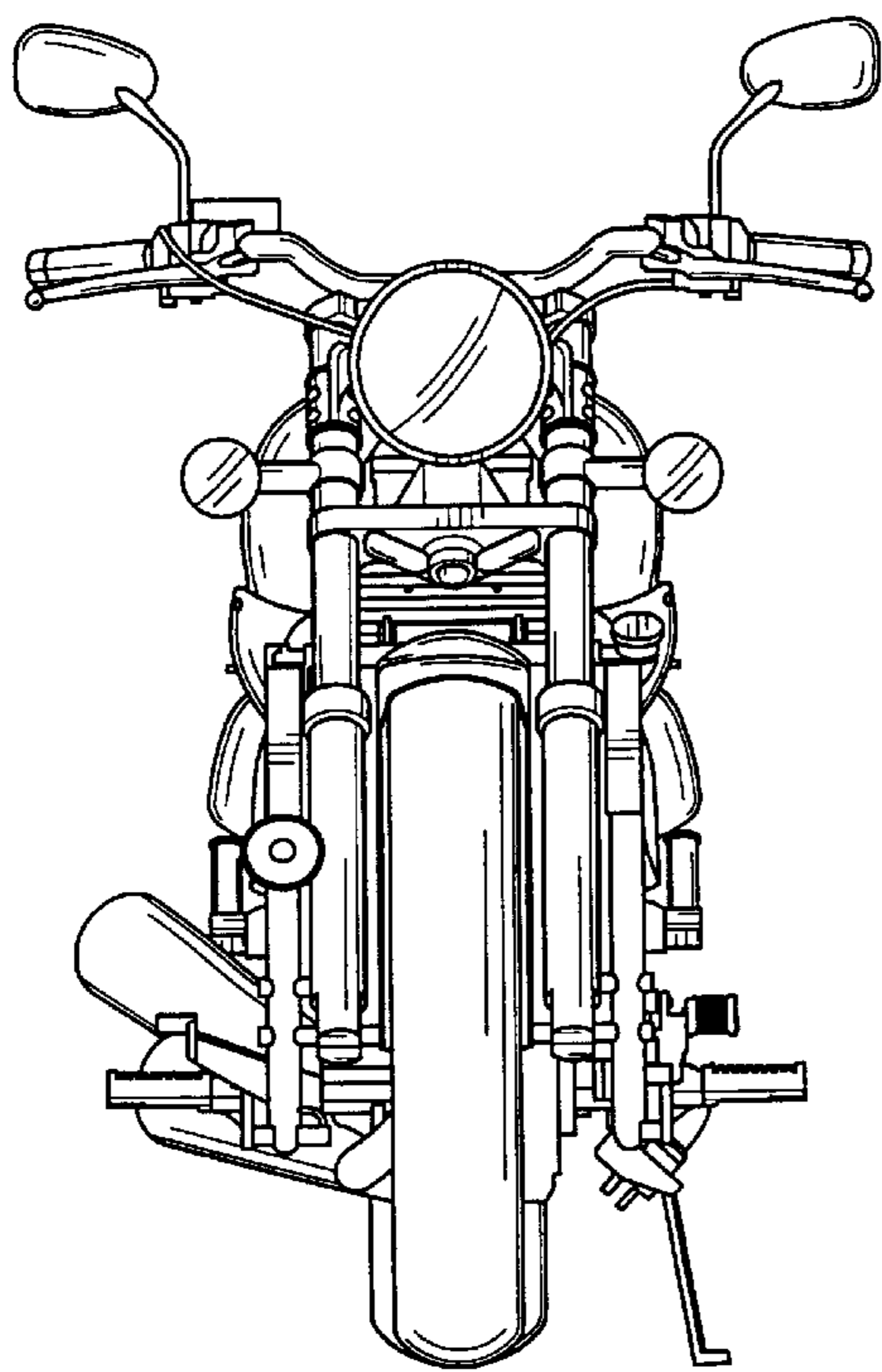
FIG. 7 is a bottom plan view.

**1 Claim, 5 Drawing Sheets**

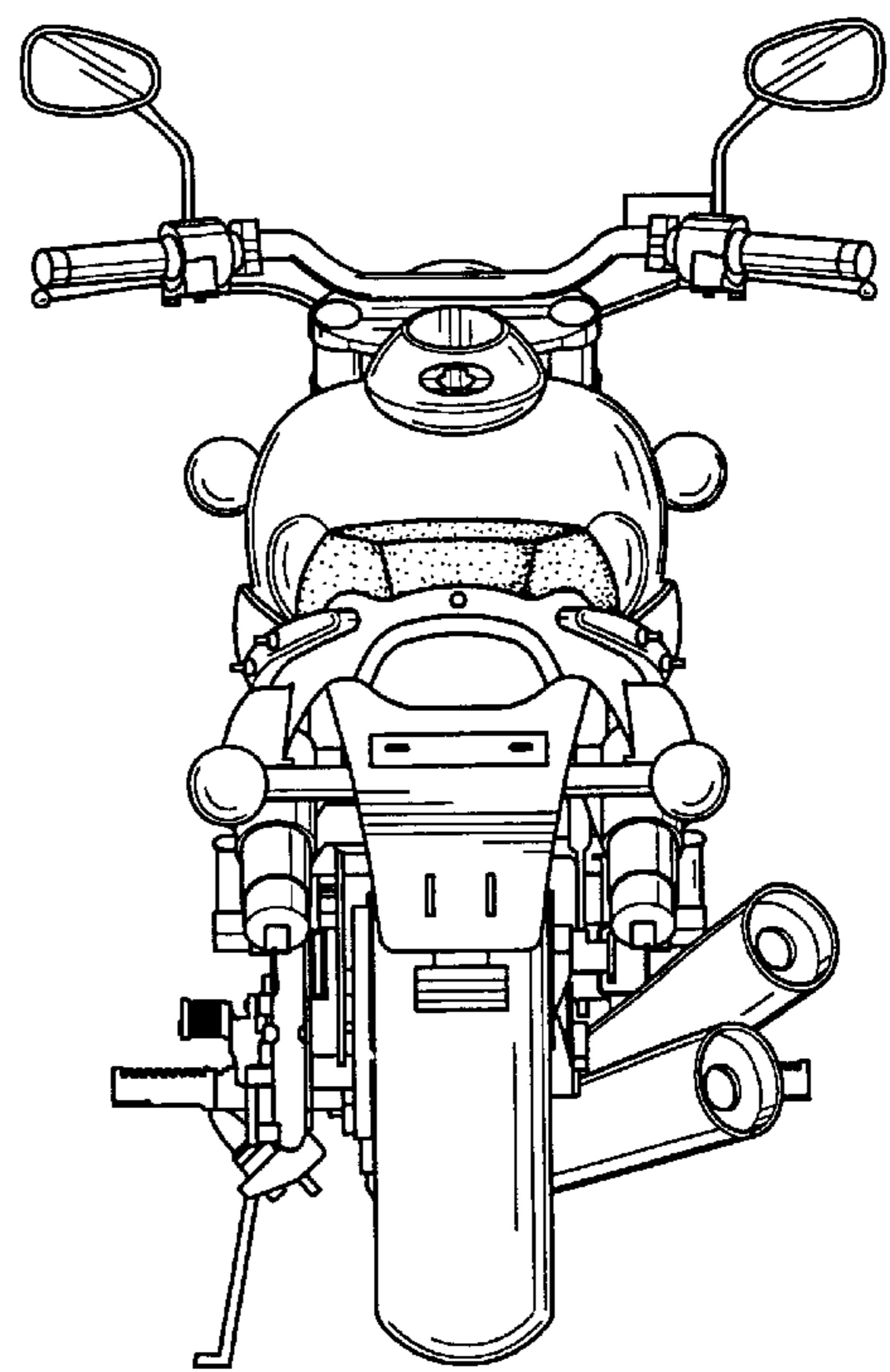




F I G . 1



F I G . 2



F I G . 3

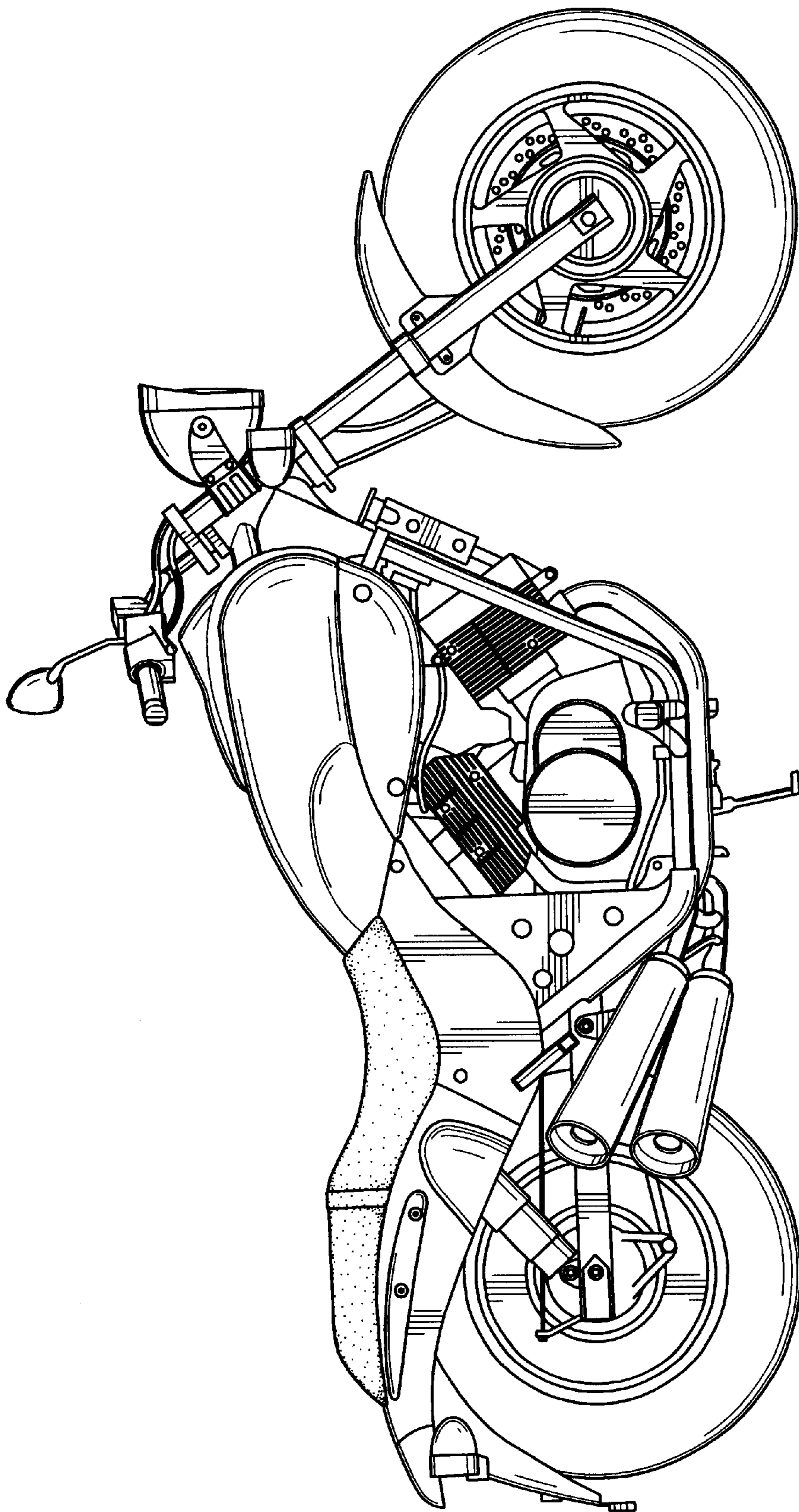
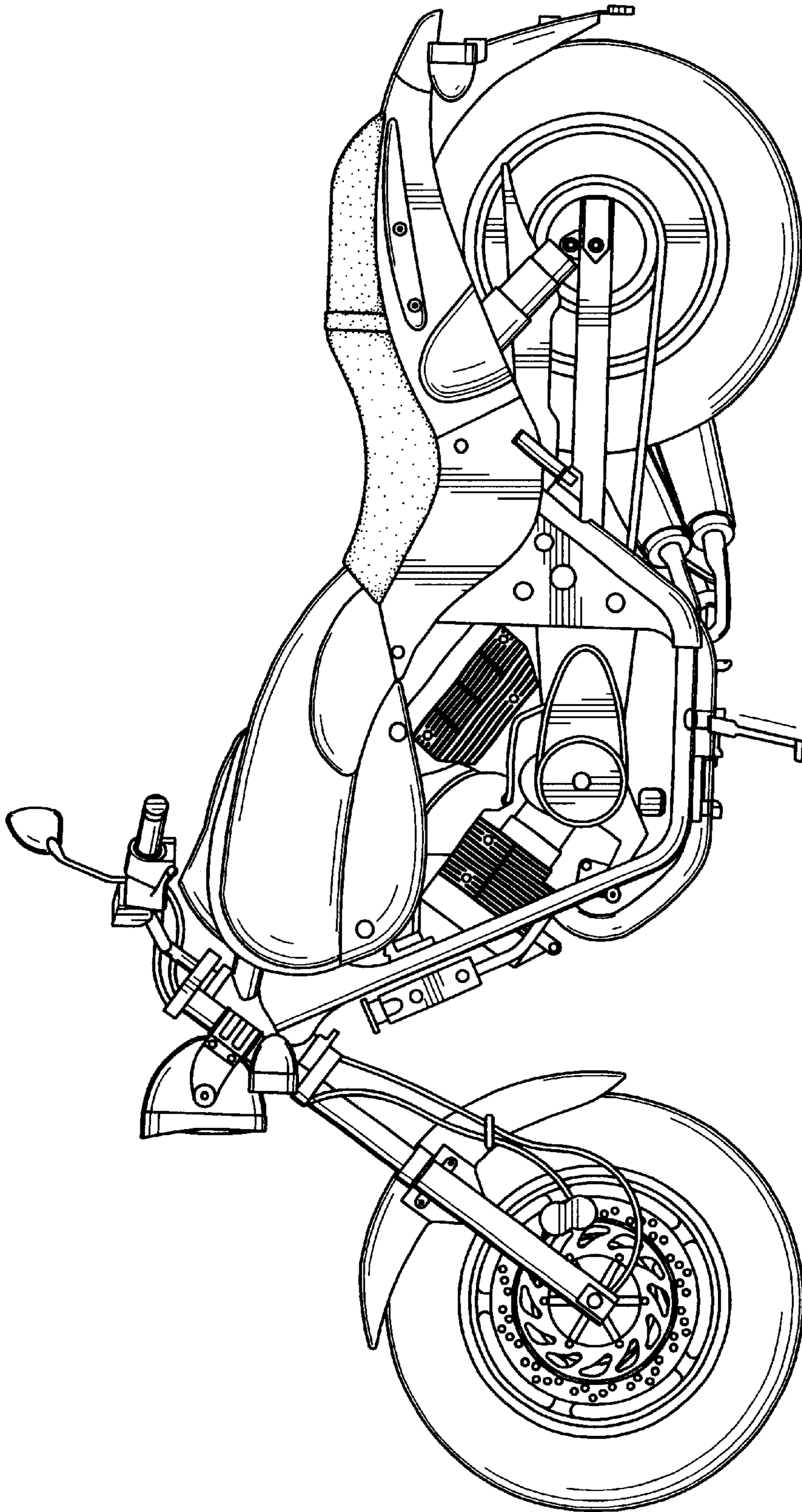


FIG. 4



F I G . 5

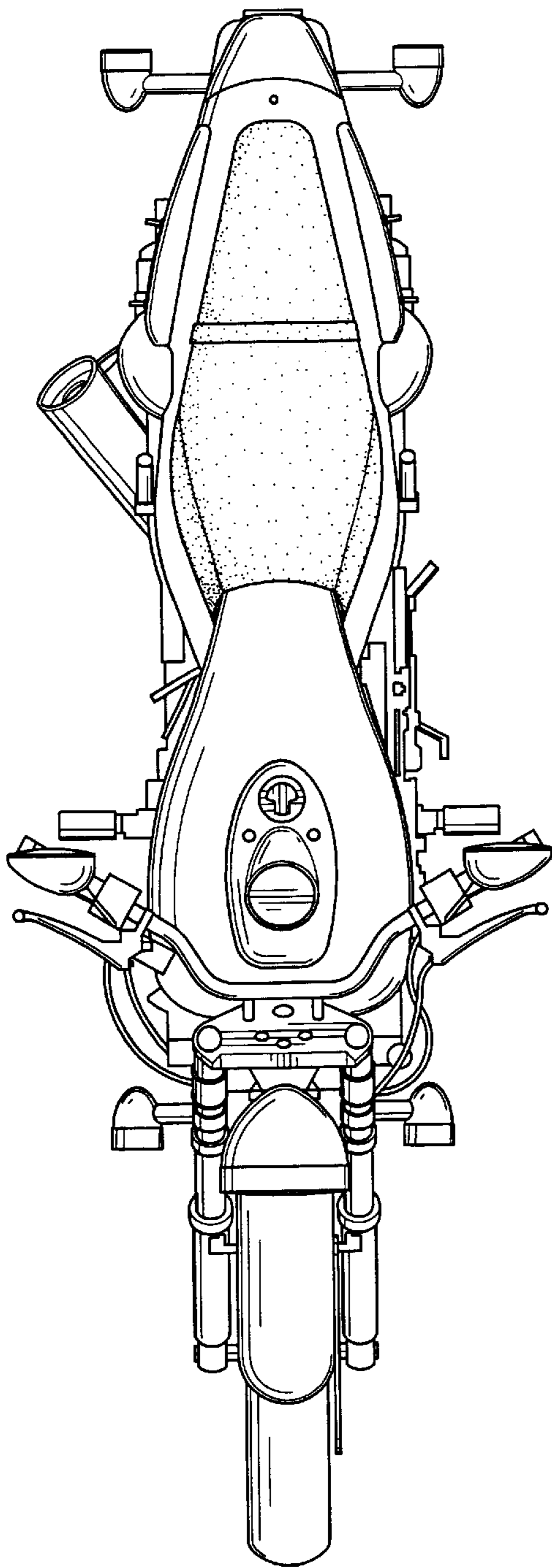


FIG. 6

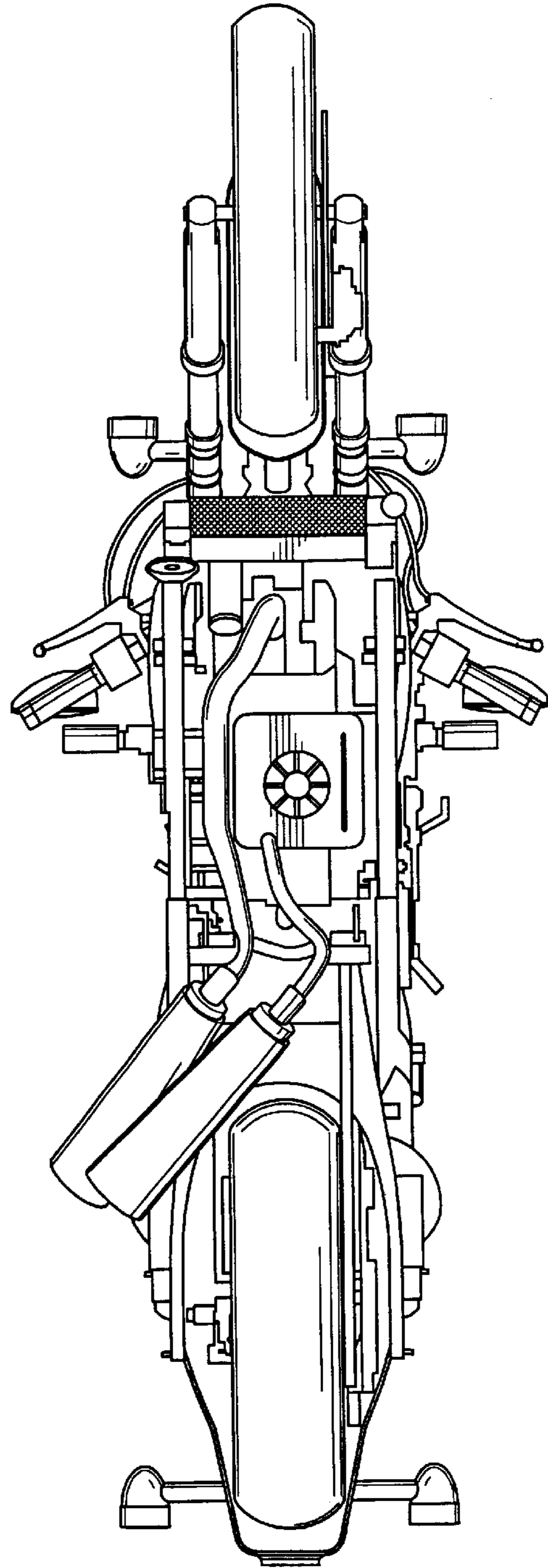


FIG. 7