



US00D442519S

(12) **United States Design Patent**
Sacco et al.

(10) **Patent No.:** **US D442,519 S**

(45) **Date of Patent:** **** May 22, 2001**

(54) **SURFACE CONFIGURATION OF A VEHICLE BODY AND/OR TOY**

(75) Inventors: **Bruno Sacco**, Sindelfingen; **Peter Pfeiffer**, Boeblingen; **Gerhard Honer**, Weil der Stadt, all of (DE)

(73) Assignee: **DaimlerChrysler AG**, Stuttgart (DE)

(**) Term: **14 Years**

(21) Appl. No.: **29/128,686**

(22) Filed: **Aug. 29, 2000**

(30) **Foreign Application Priority Data**

Feb. 29, 2000 (DE) 4 00 02 082

(51) **LOC (7) Cl.** **12-08**

(52) **U.S. Cl.** **D12/93; D12/96**

(58) **Field of Search** **D12/93, 96, 98; 296/180, 183, 190; 180/89.12, 89.16, 89.19**

(56) **References Cited**

U.S. PATENT DOCUMENTS

- D. 344,472 * 2/1994 Savio D12/96
- D. 412,301 * 7/1999 Sirks D12/96
- D. 423,111 * 4/2000 Takei et al. D12/93
- D. 423,412 * 4/2000 Sacco et al. D12/96

* cited by examiner

Primary Examiner—Melody N. Brown
(74) *Attorney, Agent, or Firm*—Evenson, McKeown, Edwards & Lenahan, P.L.L.C.

(57) **CLAIM**

The ornamental design for a surface configuration of a vehicle body and/or toy, as shown and described.

DESCRIPTION

FIG. 1 is a perspective view from the front left of a surface configuration of a vehicle body and/or toy according to our novel design, the perspective view from the front right being mirror symmetrical;

FIG. 2 is a front view of the surface configuration of a vehicle body and/or toy according to our novel design;

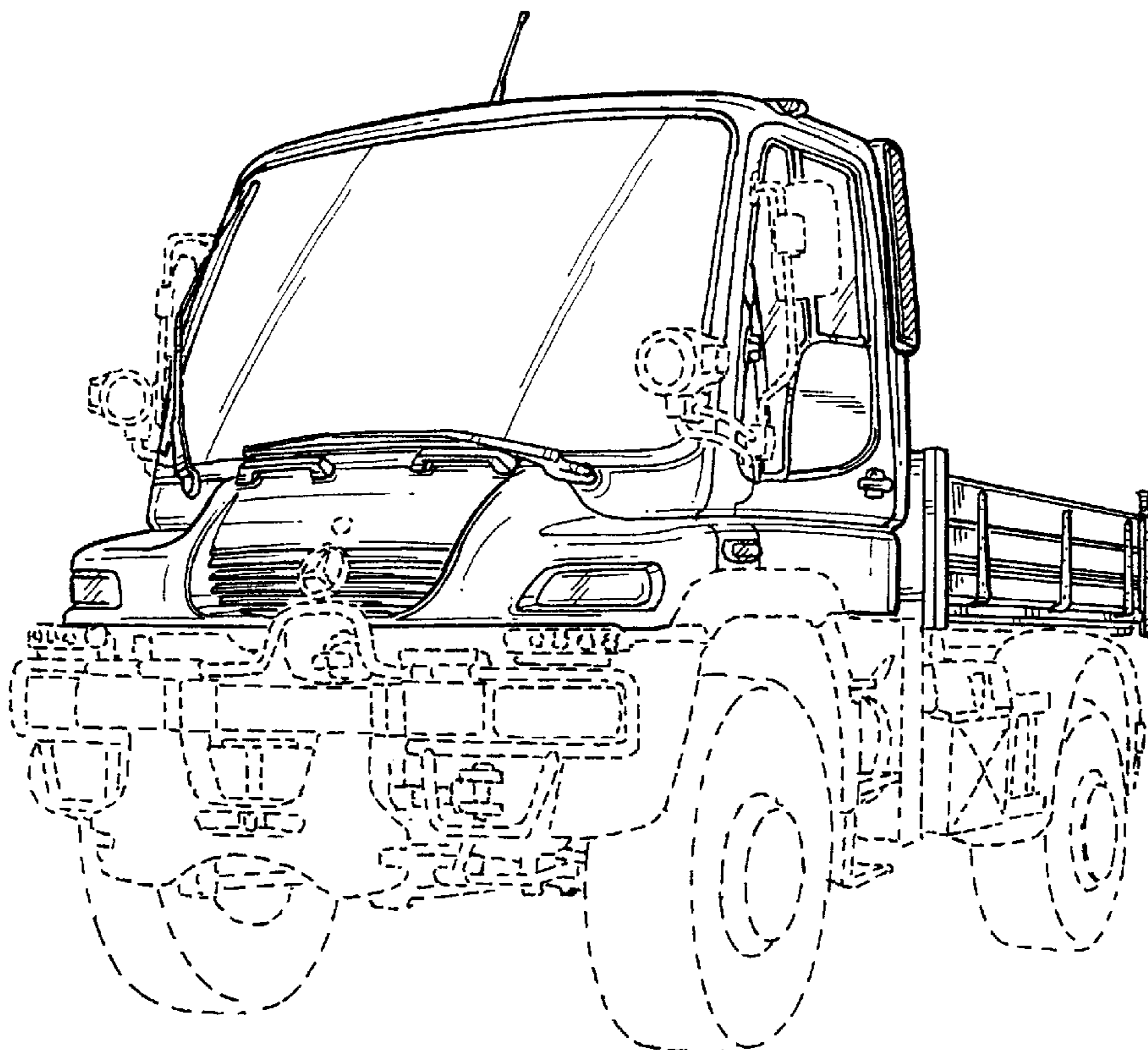
FIG. 3 is a view from the left side of the surface configuration of a vehicle body and/or toy according to our novel design, the view from the right side being mirror symmetrical;

FIG. 4 is a rear view of the surface configuration of a vehicle body and/or toy according to our novel design; and,

FIG. 5 is a perspective view from the rear left of the surface configuration of a vehicle body and/or toy according to our novel design, the perspective view from the rear right being mirror symmetrical.

The broken lines included depict environment and are not part of the claimed design.

1 Claim, 3 Drawing Sheets



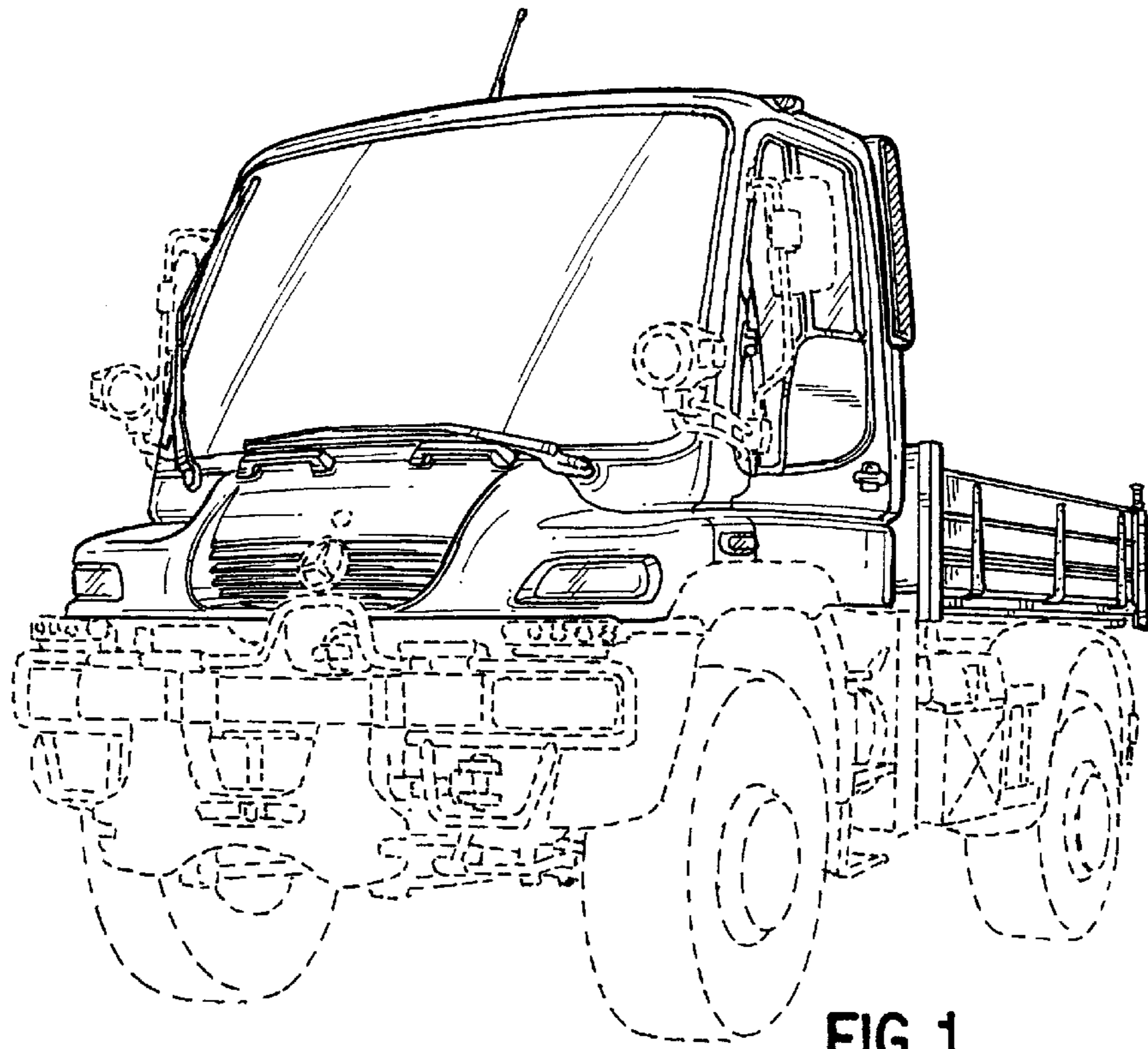


FIG. 1

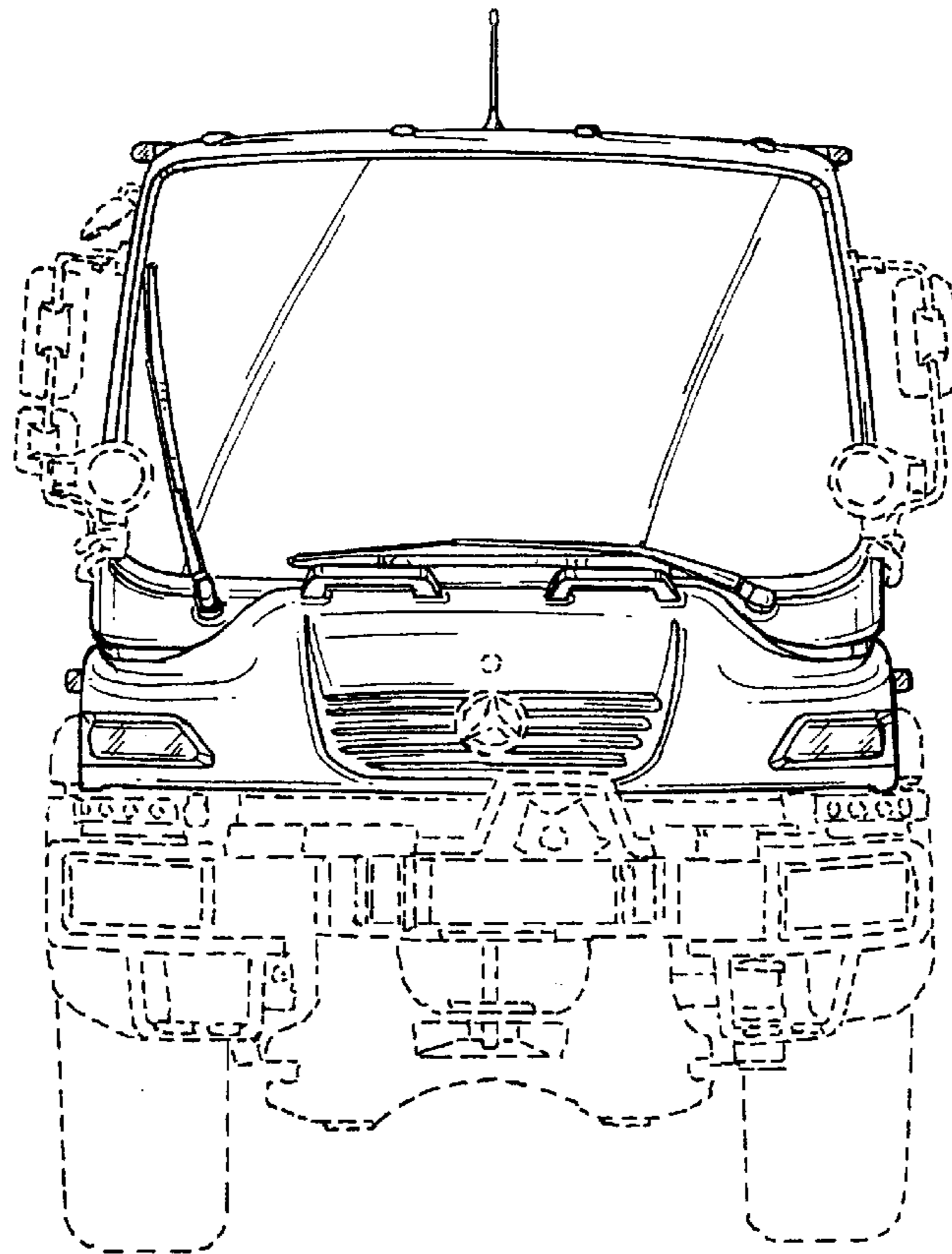


FIG. 2

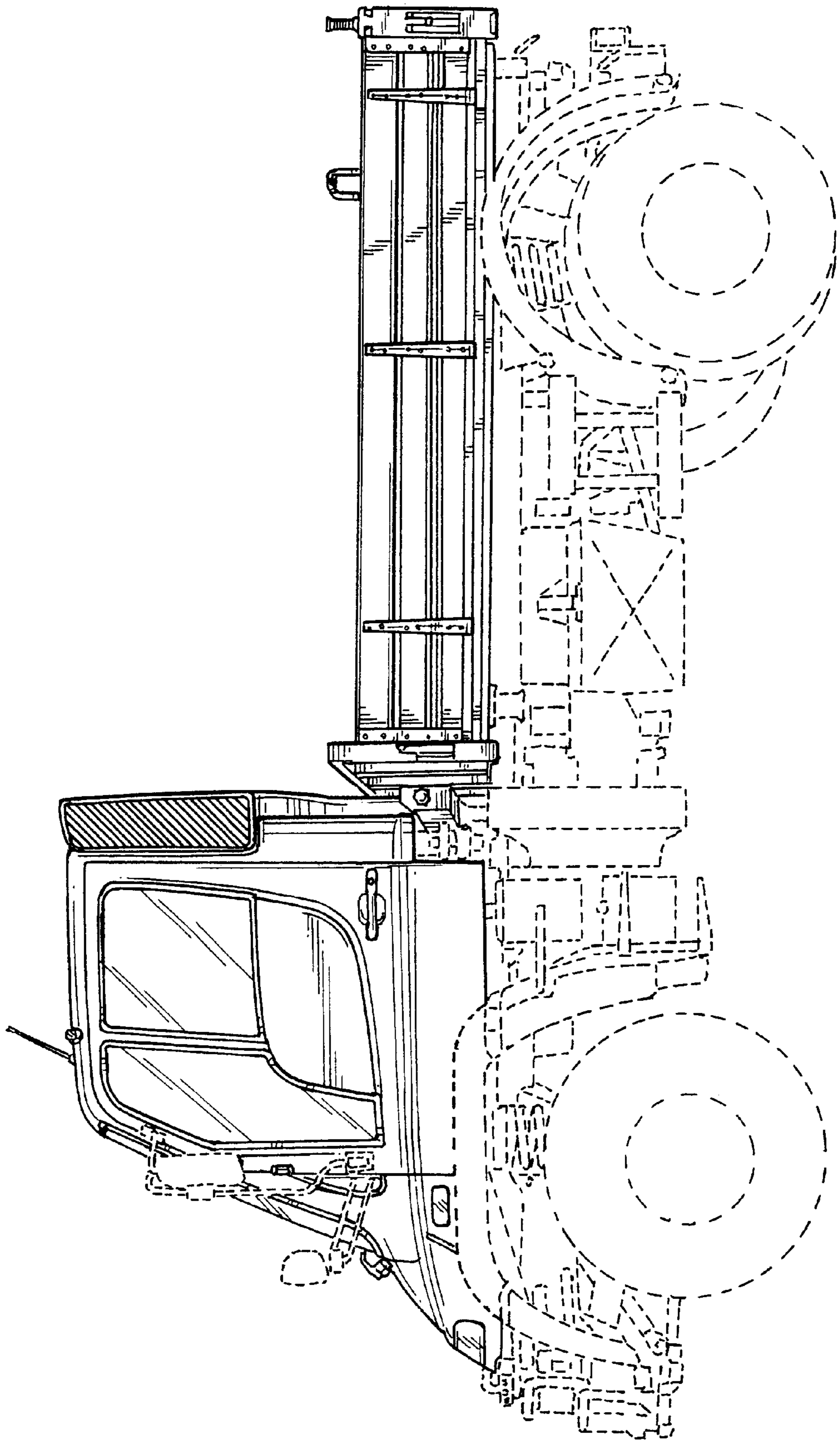


FIG. 3

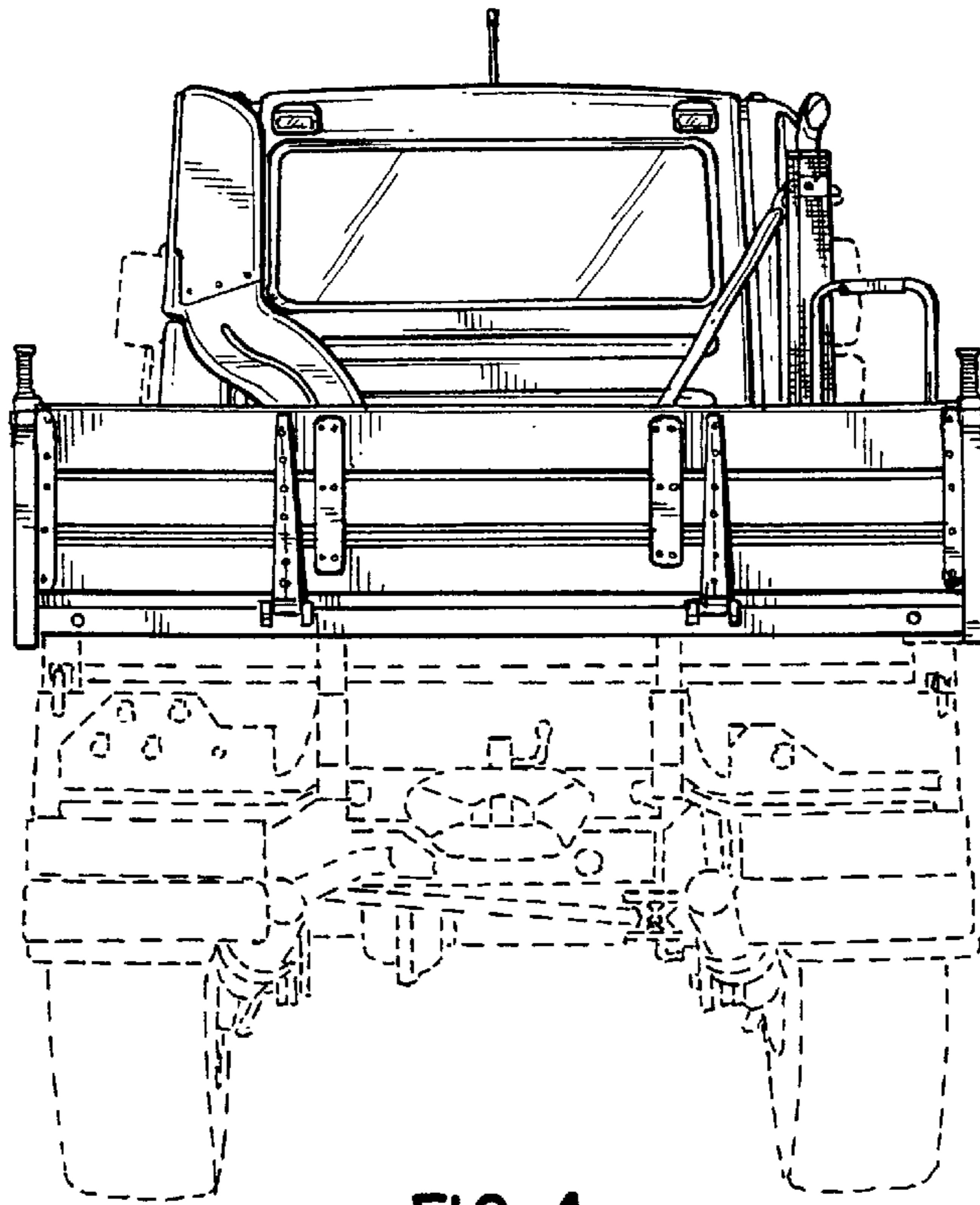


FIG. 4

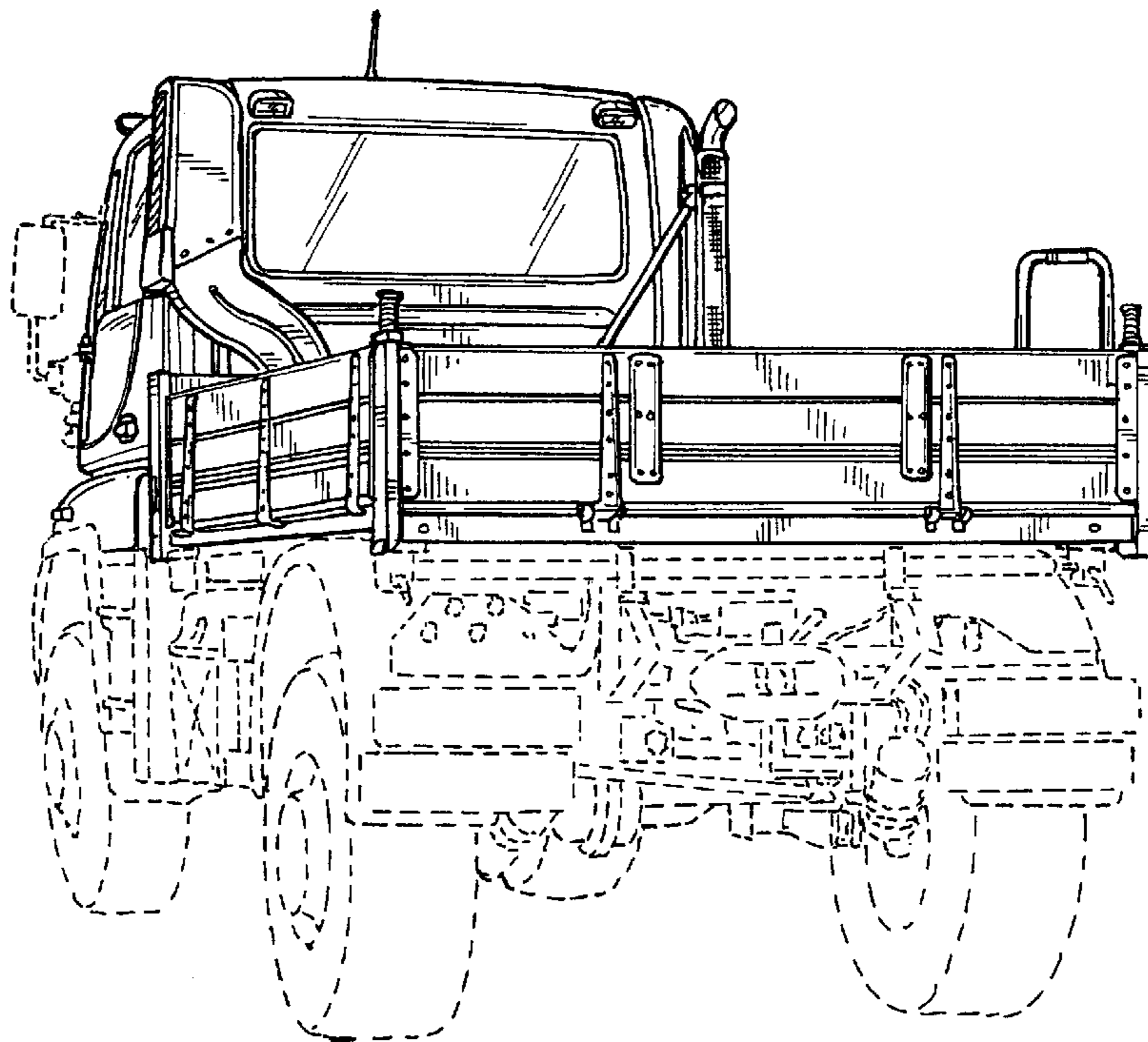


FIG. 5