



US00D442516S

(12) **United States Design Patent**  
**Charlebois**

(10) **Patent No.:** **US D442,516 S**

(45) **Date of Patent:** **\*\* May 22, 2001**

(54) **LIGHT ORNAMENT**

(76) **Inventor:** **Marcel Charlebois**, 207 Melita Avenue,  
Toronto, Ontario (CA), M6G 2A1

(\*\*) **Term:** **14 Years**

(21) **Appl. No.:** **29/094,604**

(22) **Filed:** **Oct. 6, 1998**

(30) **Foreign Application Priority Data**

Apr. 8, 1998 (CA) ..... 1998-0881

(51) **LOC (7) Cl.** ..... **11-04**

(52) **U.S. Cl.** ..... **D11/117; D11/120; D11/121;**  
**D11/117**

(58) **Field of Search** ..... D26/24, 118, 113,  
D26/138; 362/806, 255; D11/120, 121,  
117, 124; D21/443, 444, 442; D25/52

(56) **References Cited**

**U.S. PATENT DOCUMENTS**

D. 298,460 \* 11/1988 Melrose ..... D26/24

D. 350,213 \* 8/1994 Druffel et al. .... D26/118  
1,435,024 \* 11/1922 Shapiro ..... 362/255  
2,707,228 \* 4/1955 Philpson ..... D26/113 X

\* cited by examiner

*Primary Examiner*—Susan J. Lucas

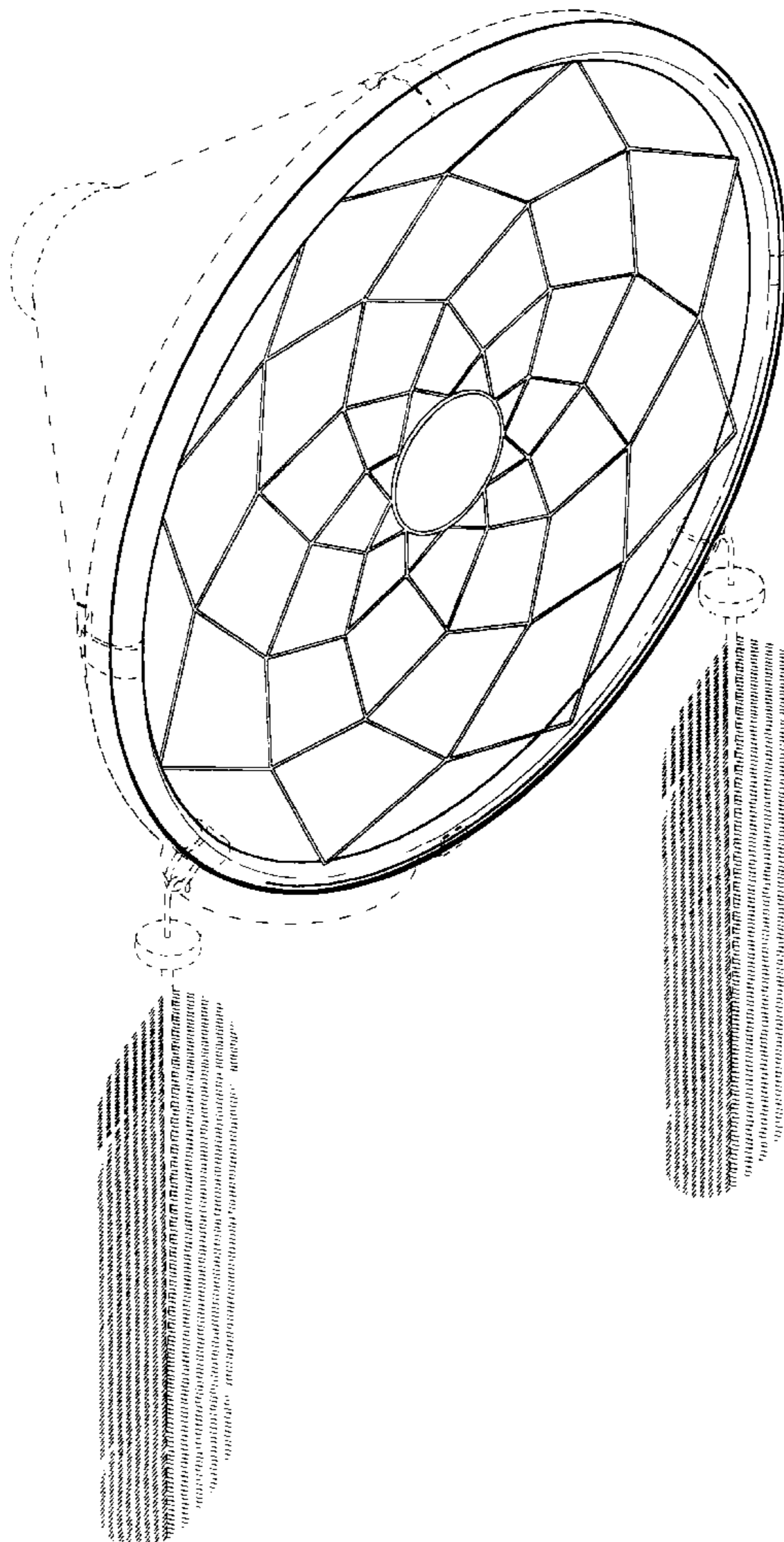
(57) **CLAIM**

I claim the ornamental design for a light ornament, as shown and described.

**DESCRIPTION**

FIG. 1 is a perspective view of a light ornament showing my new design;  
FIG. 2 is a top view of the light ornament of FIG. 1;  
FIG. 3 is a left side view of the light ornament of FIG. 1;  
FIG. 4 is a front view of the light ornament of FIG. 1;  
FIG. 5 is a rear view of the light ornament of FIG. 1;  
FIG. 6 is a right side view of the light ornament of FIG. 1;  
and,  
FIG. 7 is a bottom view of the light ornament of FIG. 1.

**1 Claim, 3 Drawing Sheets**



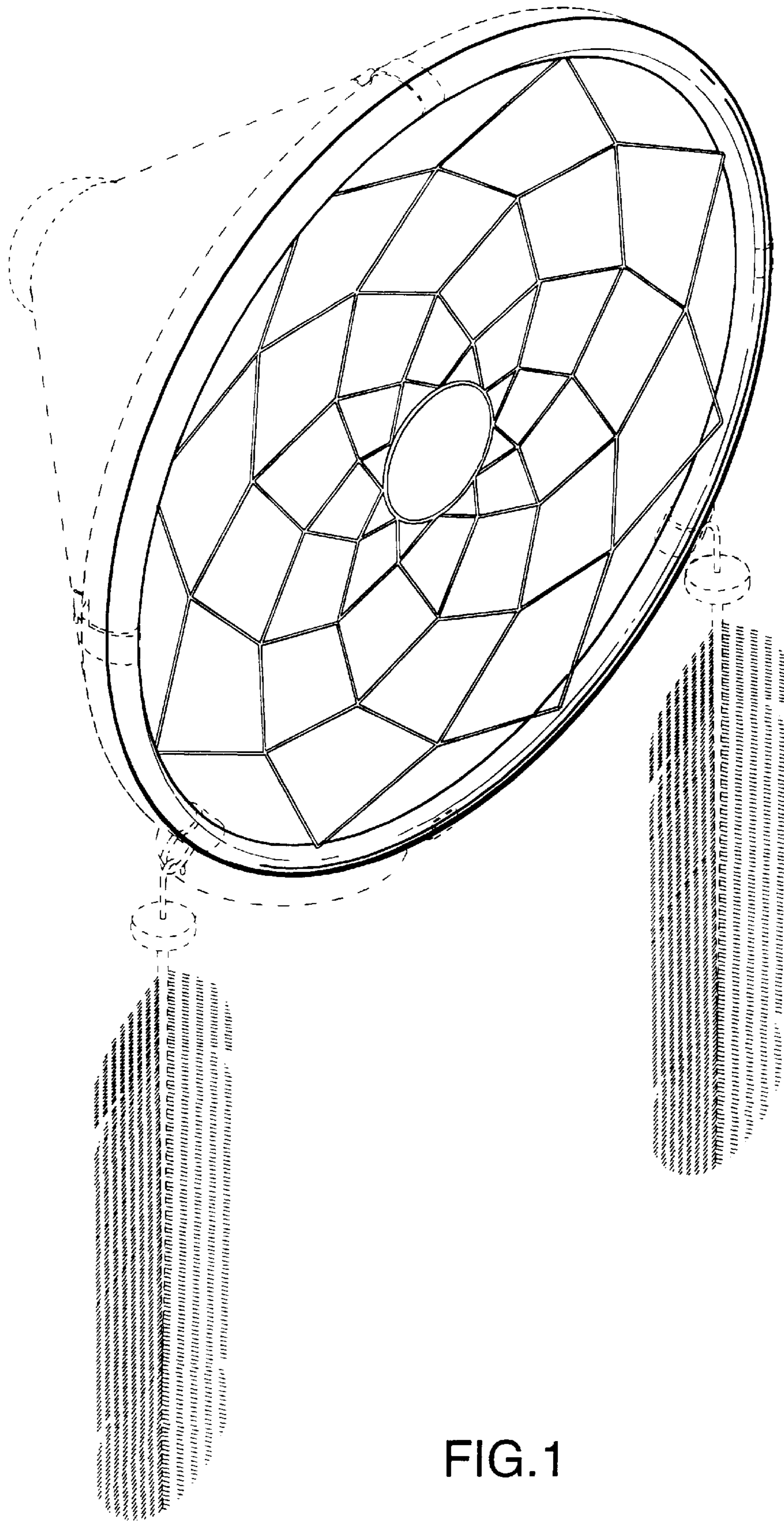


FIG. 1

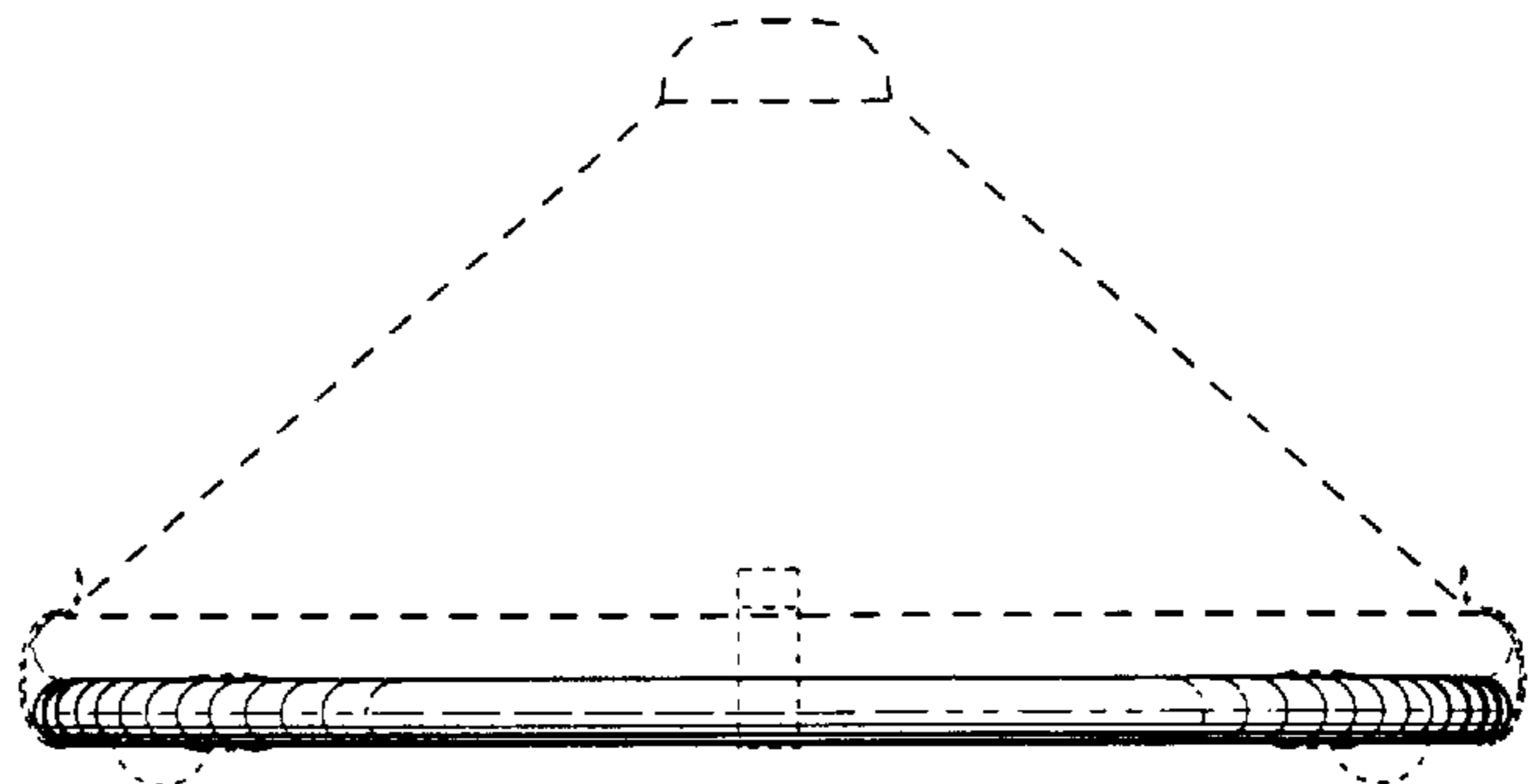


FIG. 2

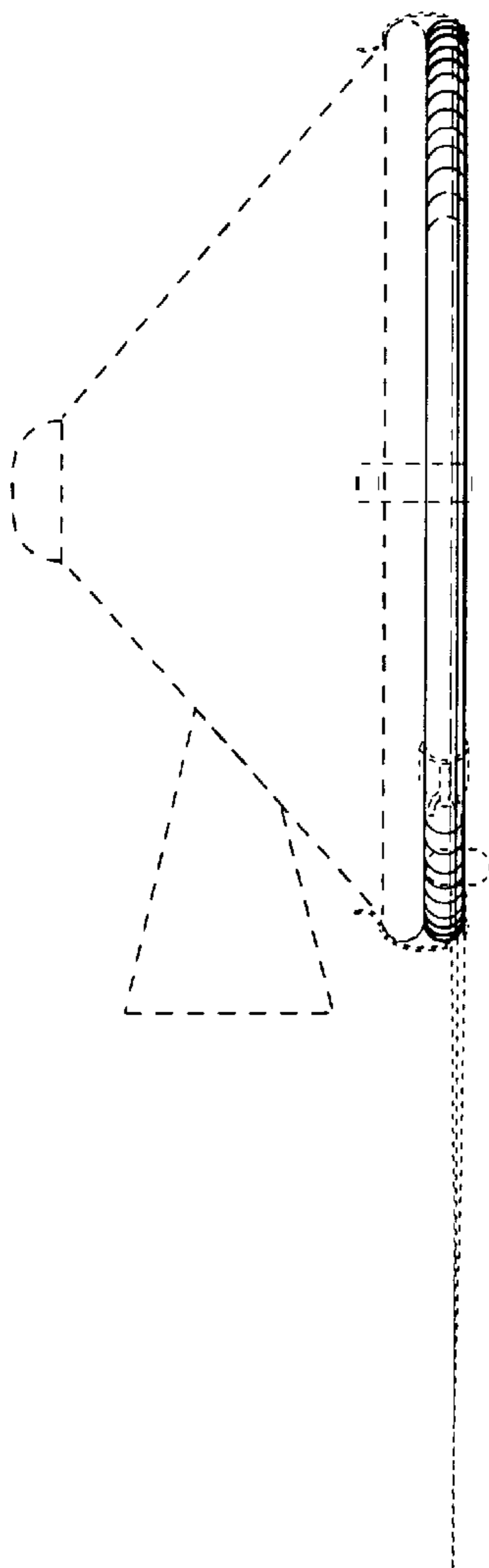


FIG. 3

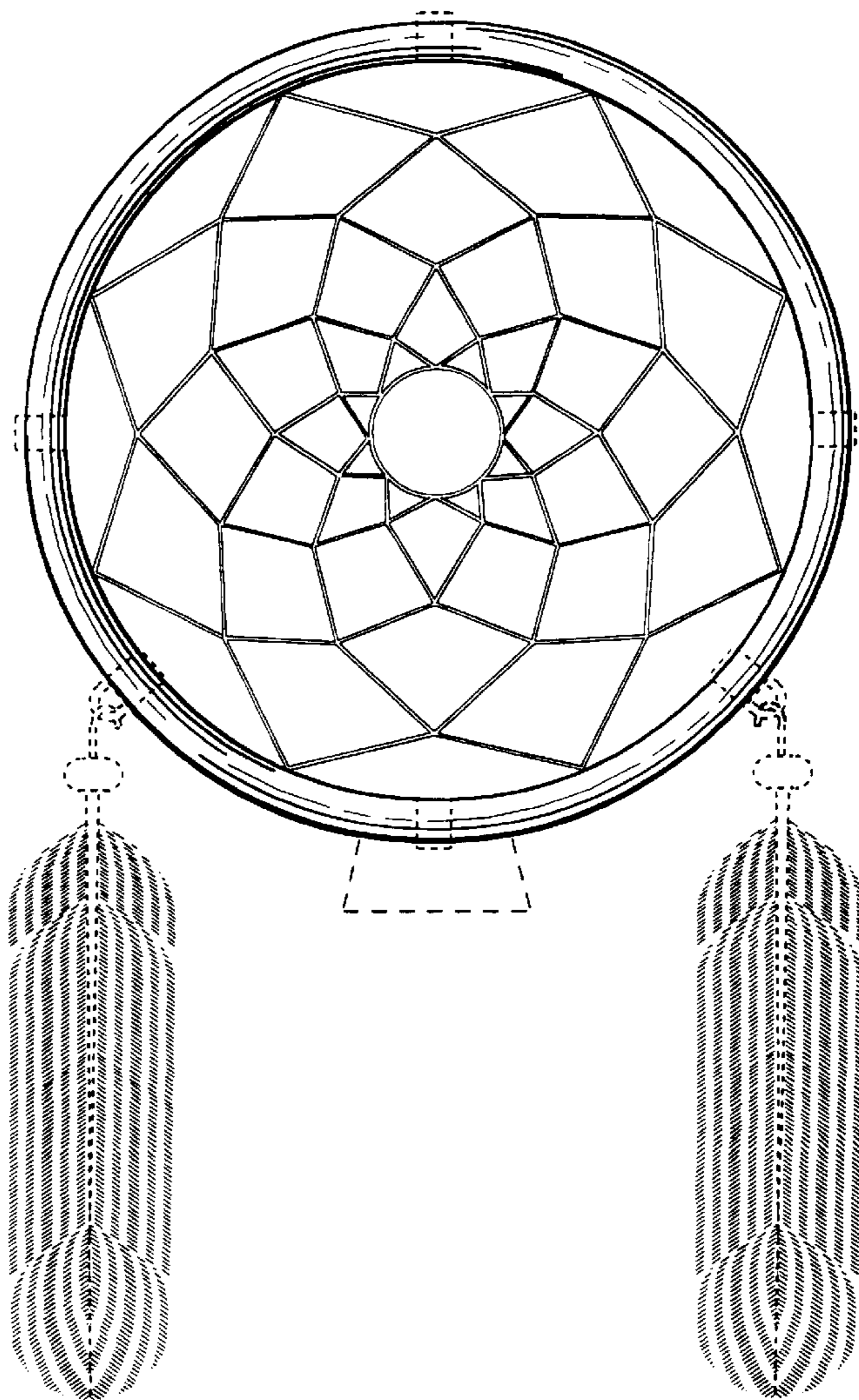


FIG. 4

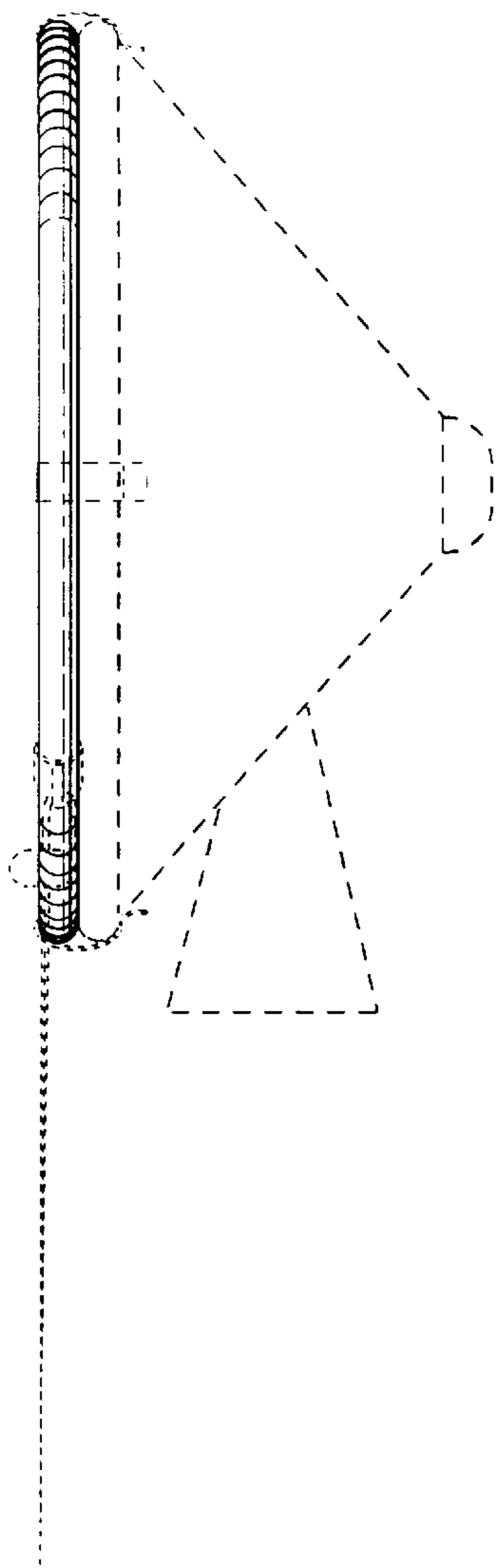


FIG. 6

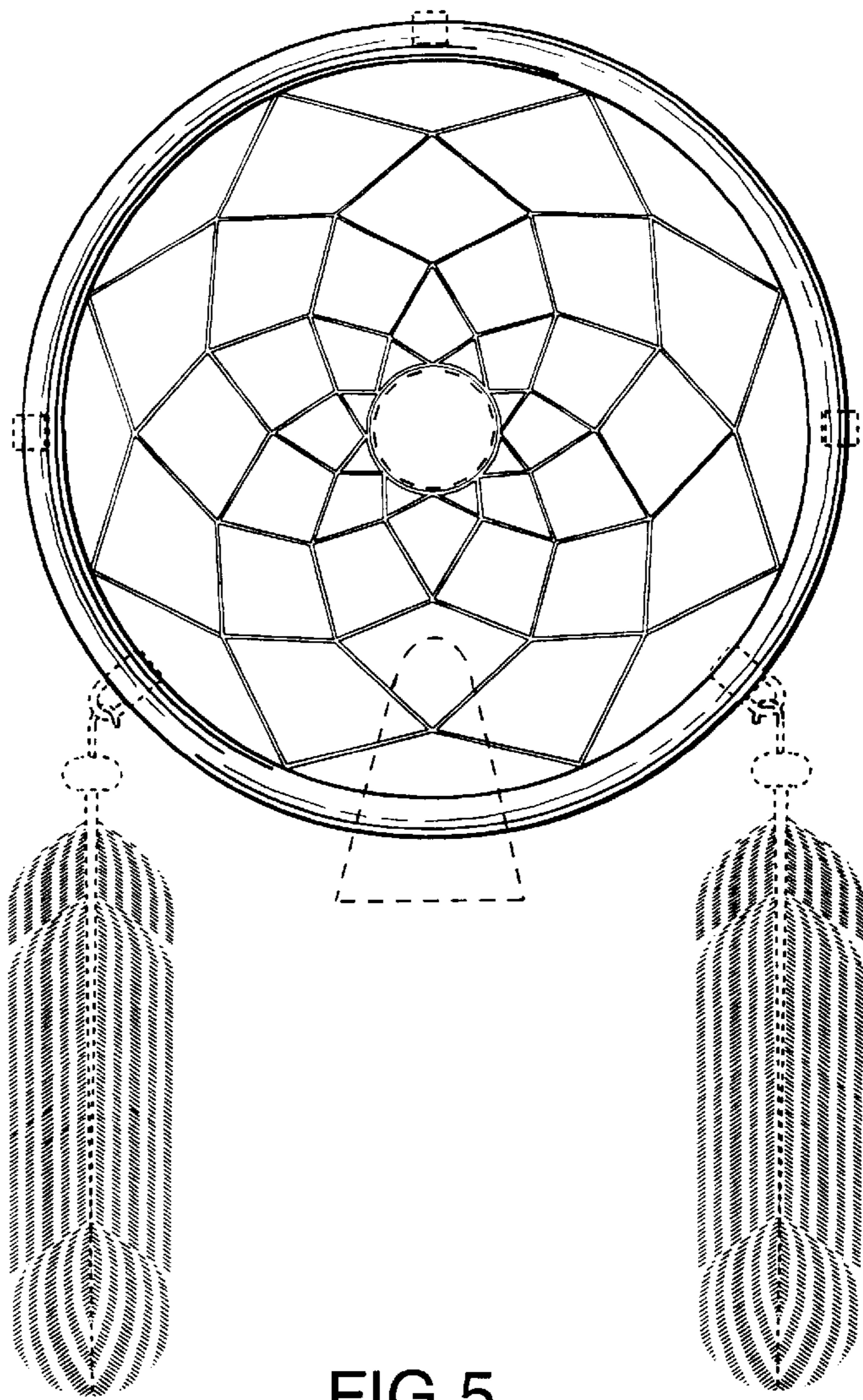


FIG. 5

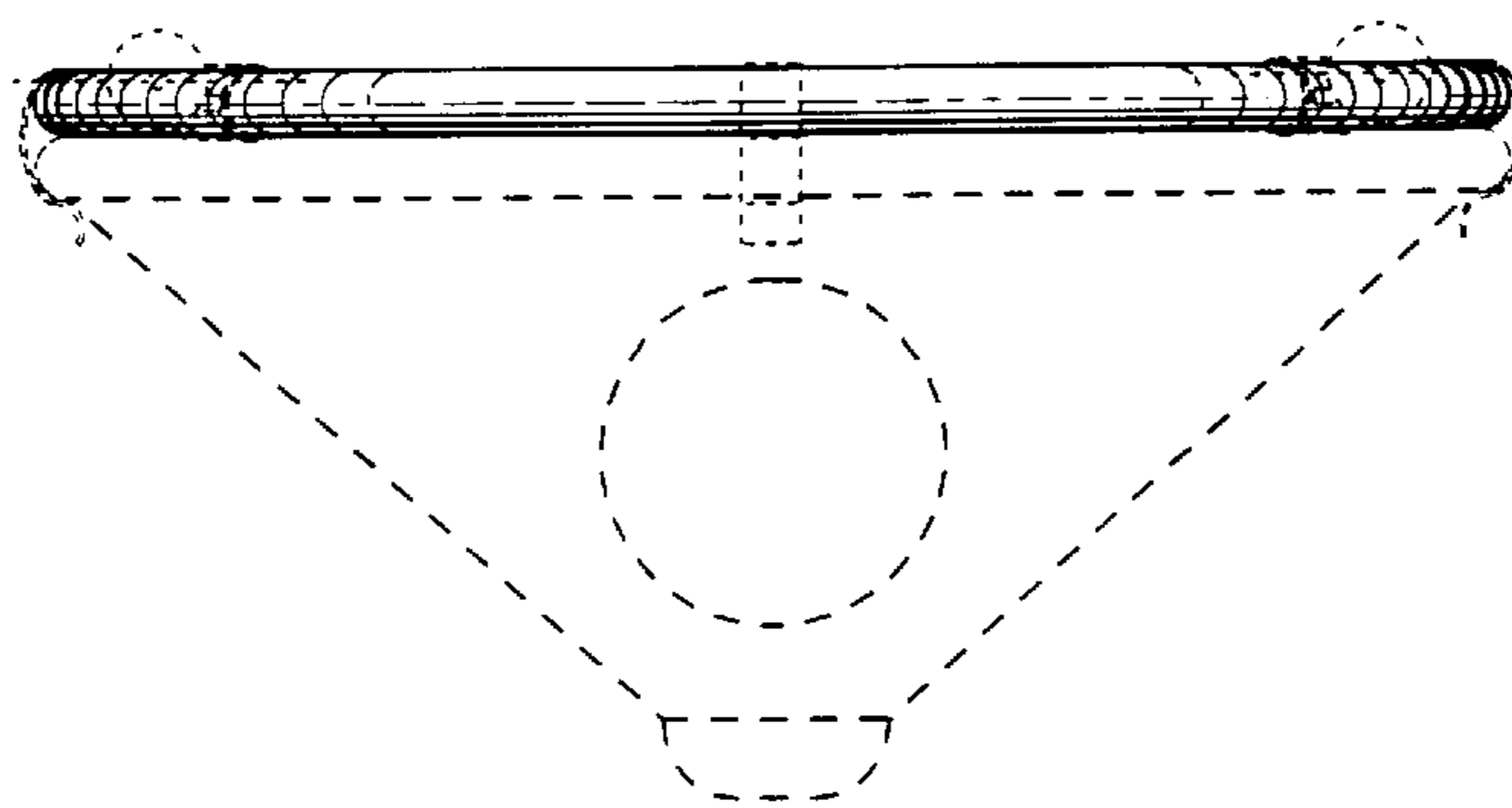


FIG. 7