



US00D442513S

(12) **United States Design Patent**
Kaválek

(10) **Patent No.:** **US D442,513 S**

(45) **Date of Patent:** **** May 22, 2001**

(54) **CUT STONE**

(75) Inventor: **Jaroslav Kaválek**, Liberec (CZ)

(73) Assignee: **Preciosa, a.s.**, Jablonec nad Nisou (CZ)

(**) Term: **14 Years**

(21) Appl. No.: **29/126,180**

(22) Filed: **Jul. 12, 2000**

Related U.S. Application Data

(62) Division of application No. 29/099,209, filed on Jan. 15, 1999.

(30) **Foreign Application Priority Data**

Jul. 16, 1998 (CZ) PVZ 31058-98
Jul. 17, 1998 (CZ) PVZ 31059-98

(51) **LOC (7) Cl.** **11-01**

(52) **U.S. Cl.** **D11/90**

(58) **Field of Search** D11/1, 2, 26, 35,
D11/36, 89, 90; 63/1.11, 15, 26, 32; D21/460

(56) **References Cited**

U.S. PATENT DOCUMENTS

D. 056,949 * 1/1921 Tatler D21/460
D. 98,249 11/1936 Goldblatt .
D. 99,568 5/1936 Cohn .
D. 99,779 5/1936 Cohn .
138,314 4/1873 Bruhl .
D. 142,234 * 8/1945 Sudbrick D11/26
D. 232,965 9/1974 Atwell .

D. 268,653 * 4/1983 Sun D11/121
D. 382,506 8/1997 Cohen .
D. 407,036 3/1999 Reisigl .
D. 409,944 5/1999 Reisigl .
D. 431,794 * 10/2000 Reisigl D11/90
469,496 2/1892 Bugbee .
484,934 10/1892 Jacobson .
809,531 1/1906 Schenck .
2,340,659 2/1944 Goldstein .
2,364,031 11/1944 Suderov .
2,519,547 8/1950 Colbert et al. .
3,835,665 9/1974 Kitchel .
5,612,102 3/1997 Nakama .

* cited by examiner

Primary Examiner—Ralf Seifert

(74) *Attorney, Agent, or Firm*—Birch, Stewart, Kolasch & Birch, LLP

(57) **CLAIM**

I claim the ornamental design of a cut stone, as shown and described.

DESCRIPTION

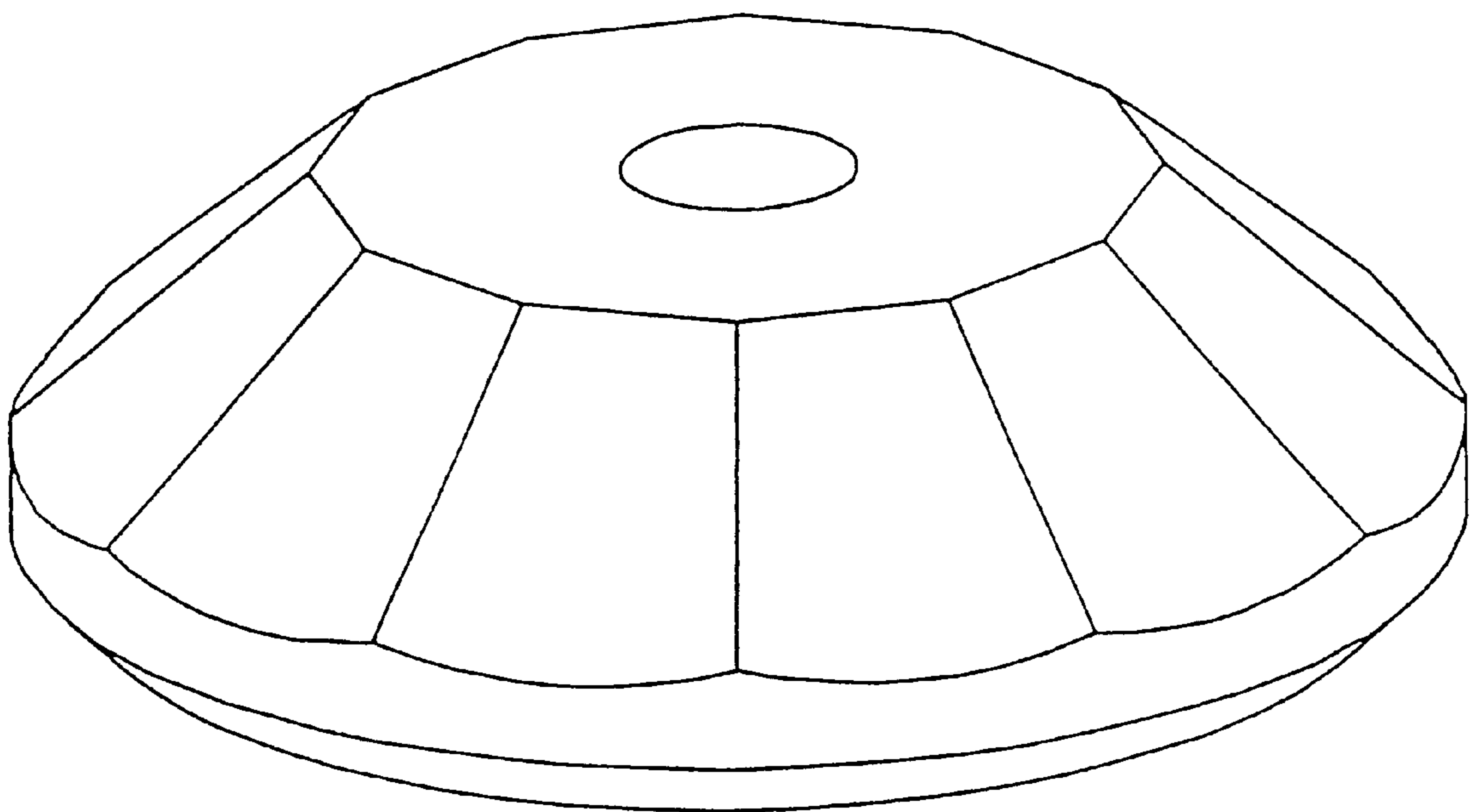
FIG. 1 is a front, perspective view of a first embodiment of a cut stone showing a 12×12 chaton rose having a girdle with a lower portion thereof conically chamfered of my new design;

FIG. 2 is a bottom plan view of the first embodiment of the cut stone of FIG. 1;

FIG. 3 is a front, elevational view of the cut stone of FIG. 1, the rear side elevational view being the same; and,

FIG. 4 is a top plan view of the cut stone of FIG. 1.

1 Claim, 2 Drawing Sheets



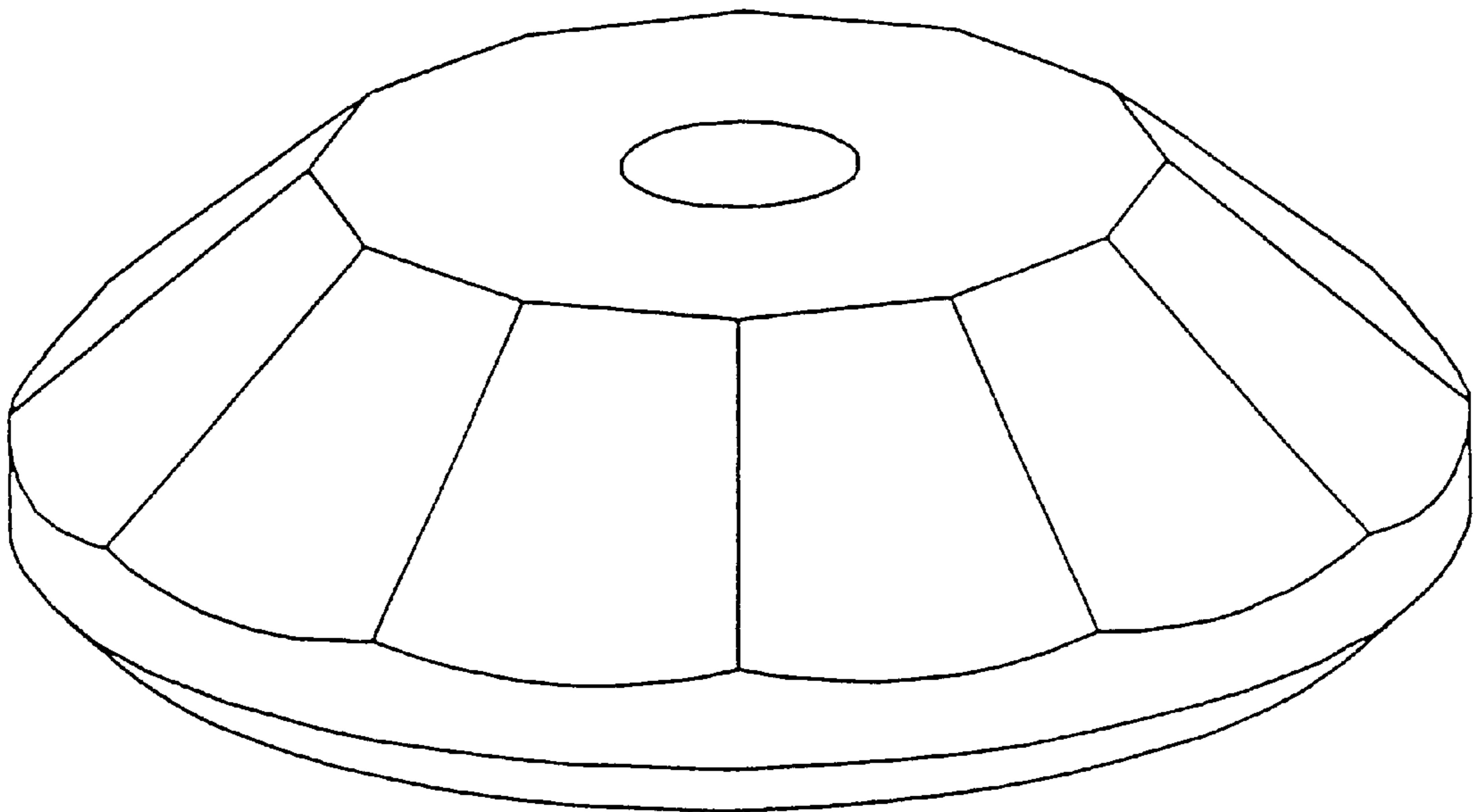


Figure 1

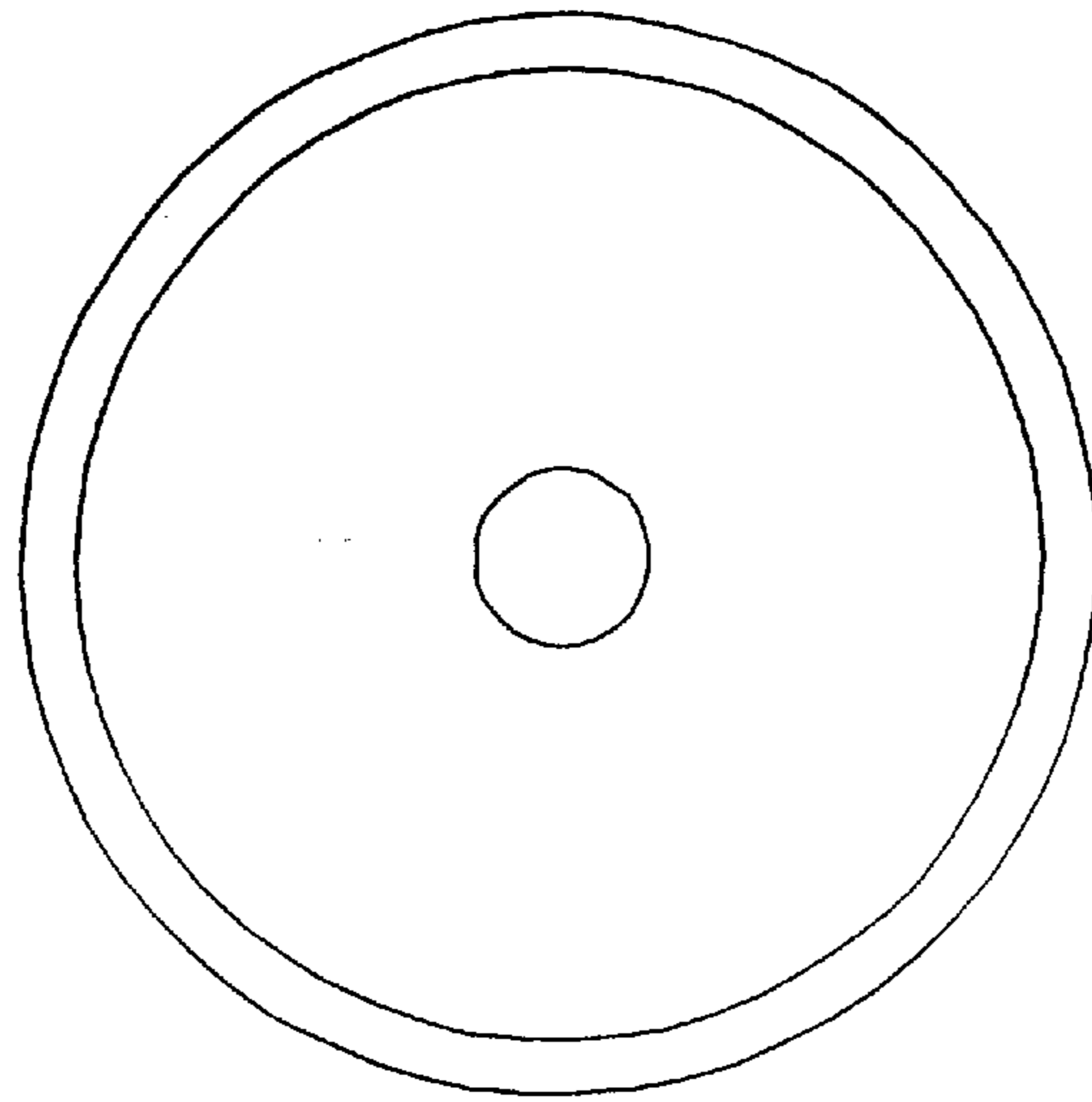


Figure 2

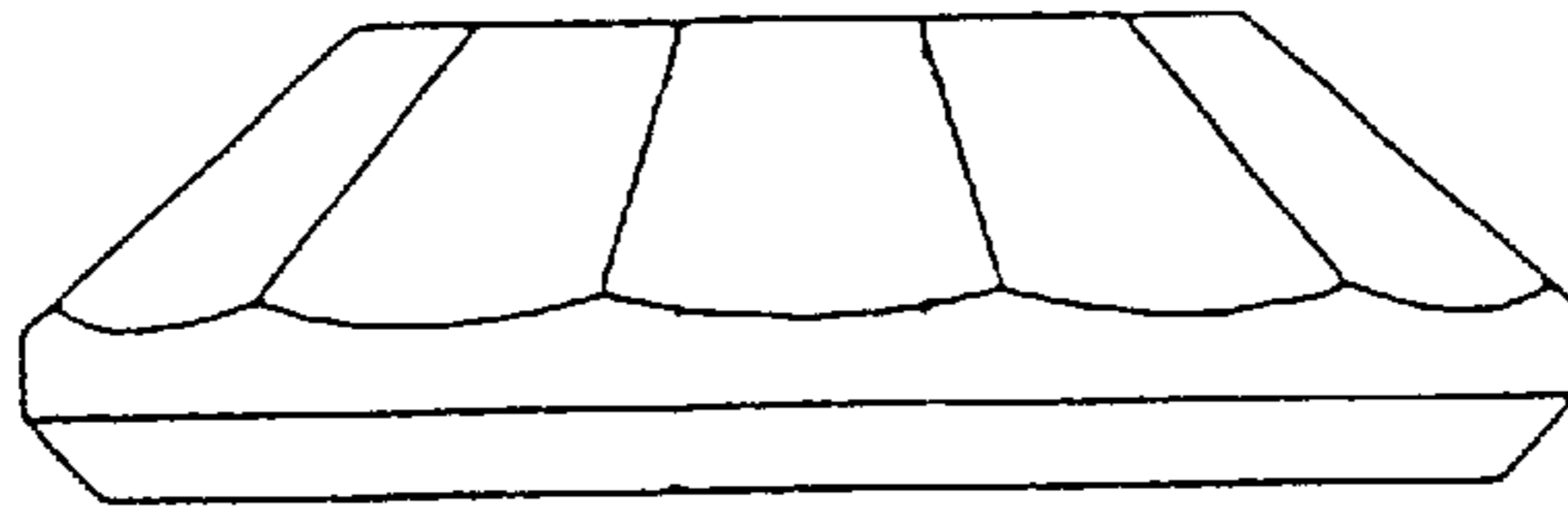


Figure 3

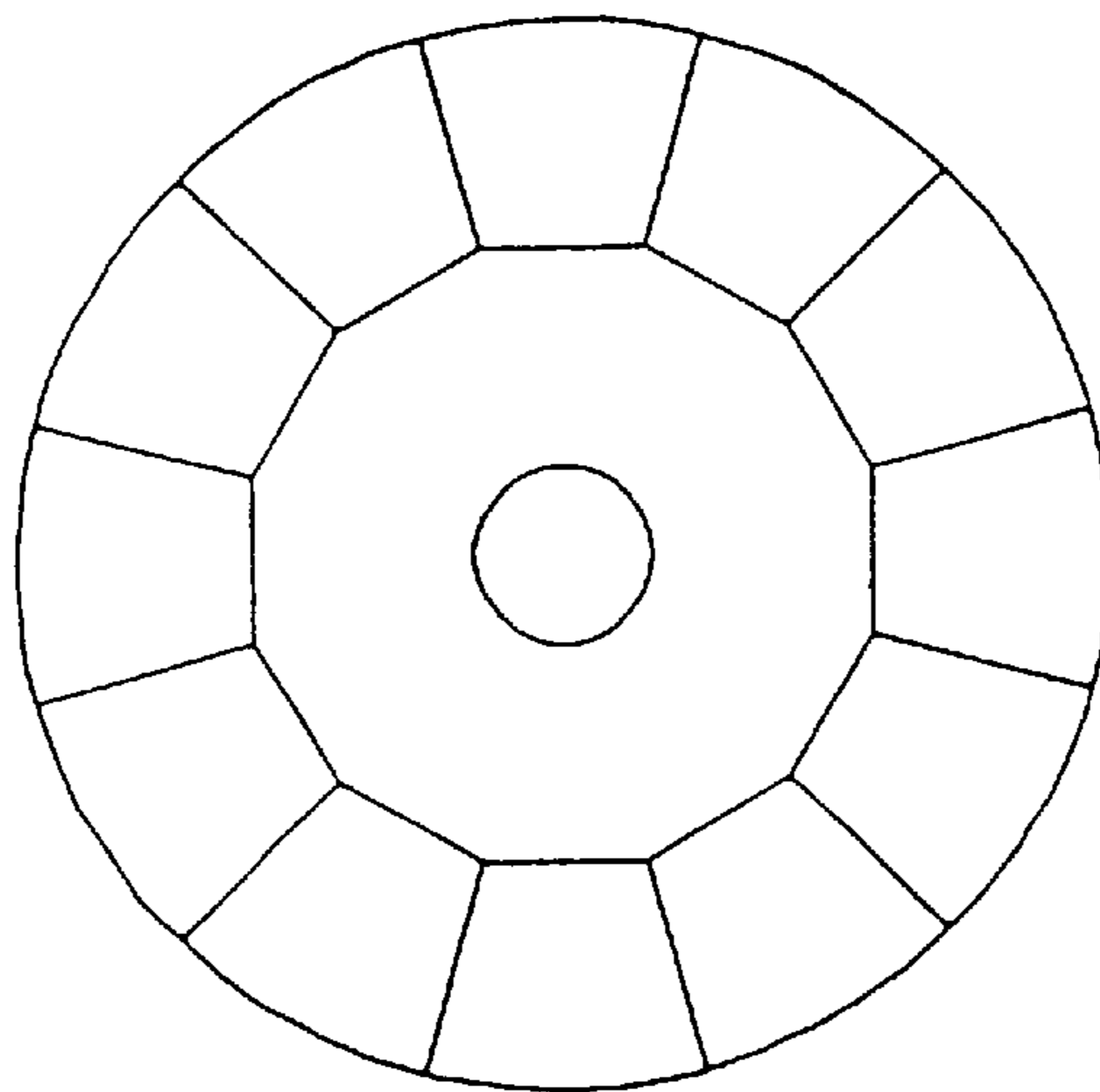


Figure 4