



US00D442508S

(12) **United States Design Patent**
Torres

(10) **Patent No.:** **US D442,508 S**

(45) **Date of Patent:** **** May 22, 2001**

(54) **BANGLE WATCH BRACELET**

4,060,185 * 11/1977 Kuroda 63/11

(75) **Inventor:** **Omar Torres, New York, NY (US)**

* cited by examiner

(73) **Assignee:** **Movado Watch Company S.A.,
Grenchen (CH)**

Primary Examiner—Ralf Seifert

(74) *Attorney, Agent, or Firm*—Lawrence E. Apolzon, Esq.;
Fross,Zelnick,Lehrman &Zissu, P.C.

(**) **Term:** **14 Years**

(57) **CLAIM**

(21) **Appl. No.:** **29/129,361**

The ornamental design for a bangle watch bracelet, as shown and described.

(22) **Filed:** **Sep. 12, 2000**

(51) **LOC (7) Cl.** **11-01**

(52) **U.S. Cl.** **D11/4**

(58) **Field of Search** D11/1-8, 11-13,
D11/19-25, 93, 94; 59/78, 80, 82-84; D10/32;
63/1.1-5.1, 11

DESCRIPTION

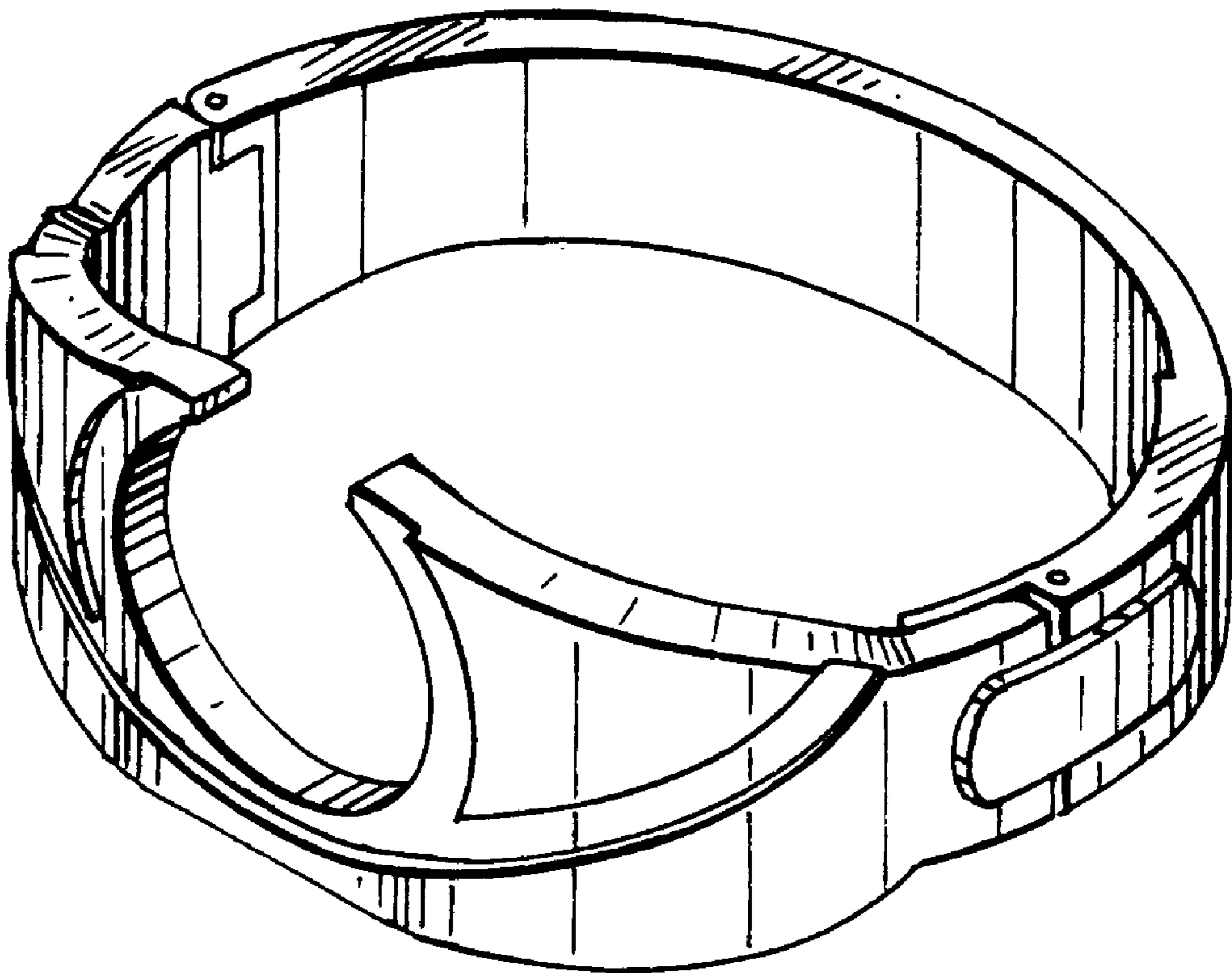
FIG. 1 is a front perspective view;
FIG. 2 is a side view;
FIG. 3 is the other side view;
FIG. 4 is a front view;
FIG. 5 is a back view;
FIG. 6 is a top view;
FIG. 7 is a bottom view;
FIG. 8 is a side view with the bracelet open;
FIG. 9 is the other side view with the bracelet open; and,
FIG. 10 is a top view with the bracelet open.

(56) **References Cited**

U.S. PATENT DOCUMENTS

D. 186,818	*	12/1959	Gale	D10/32
D. 372,680	*	8/1996	Salva et al.	D11/4
D. 413,531	*	9/1999	Philippe	D10/32
2,590,572	*	3/1952	Rasmussen	D11/4
3,700,148	*	10/1972	Lanvin	63/3

1 Claim, 3 Drawing Sheets



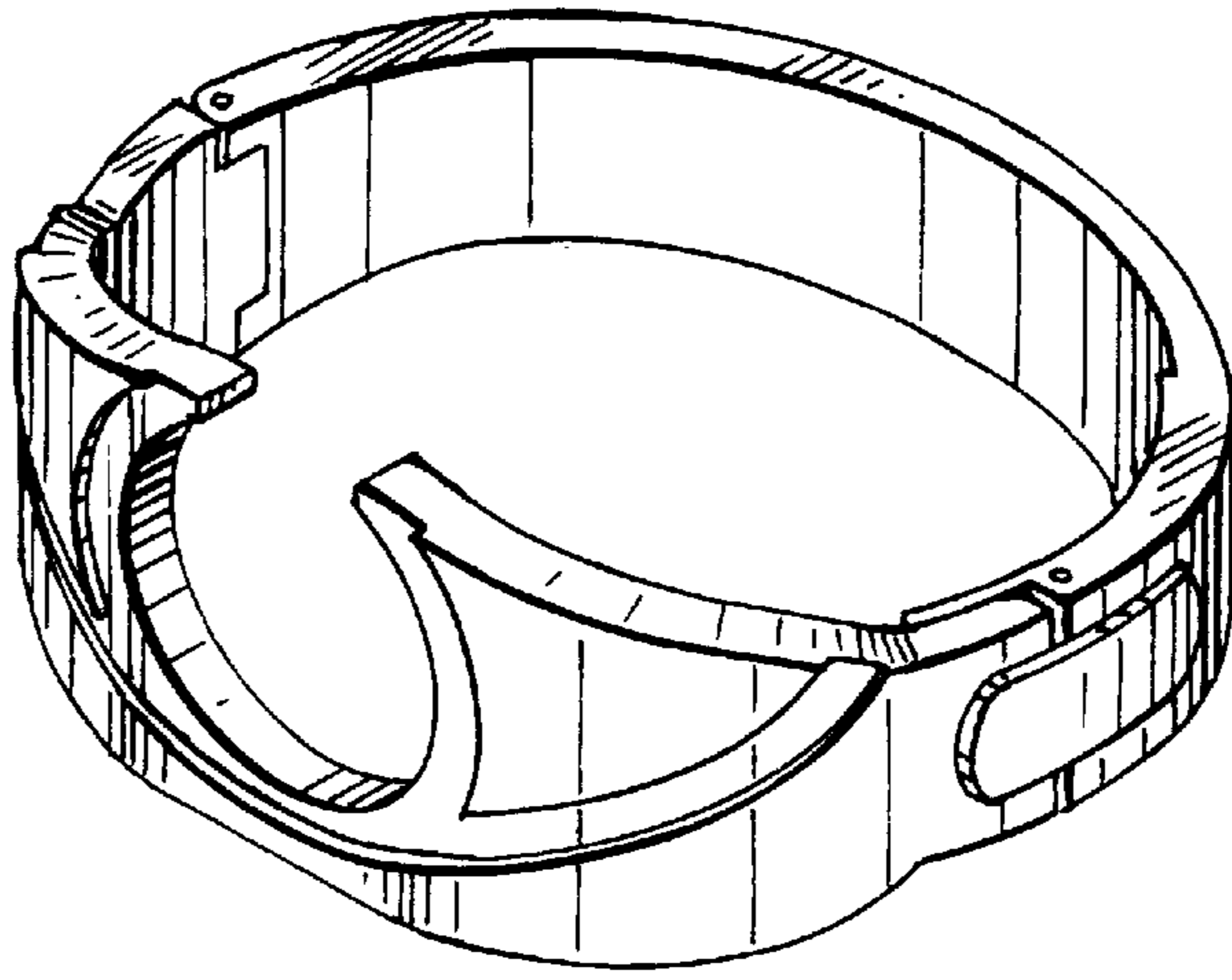


FIG. 1

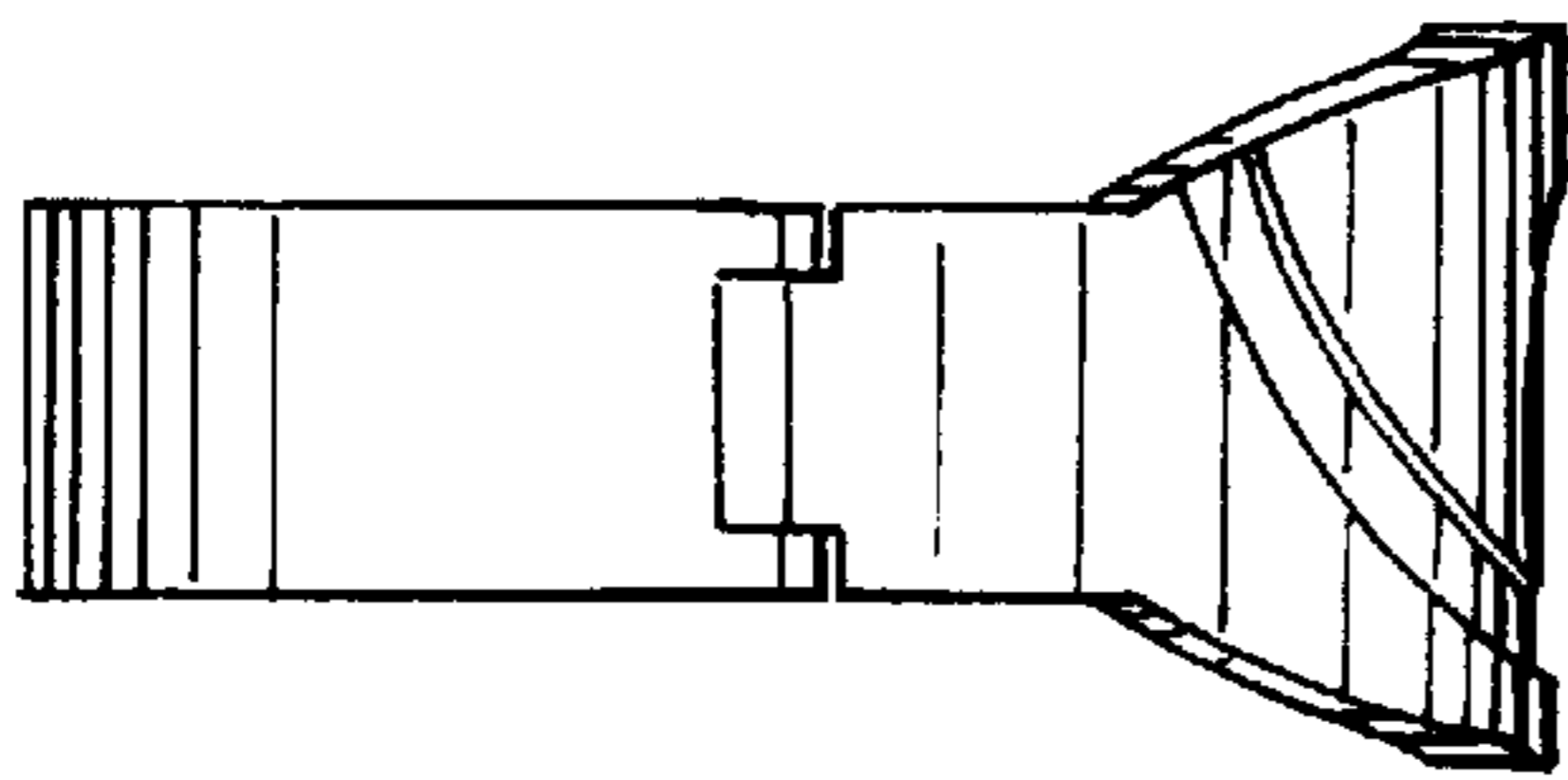


FIG. 2

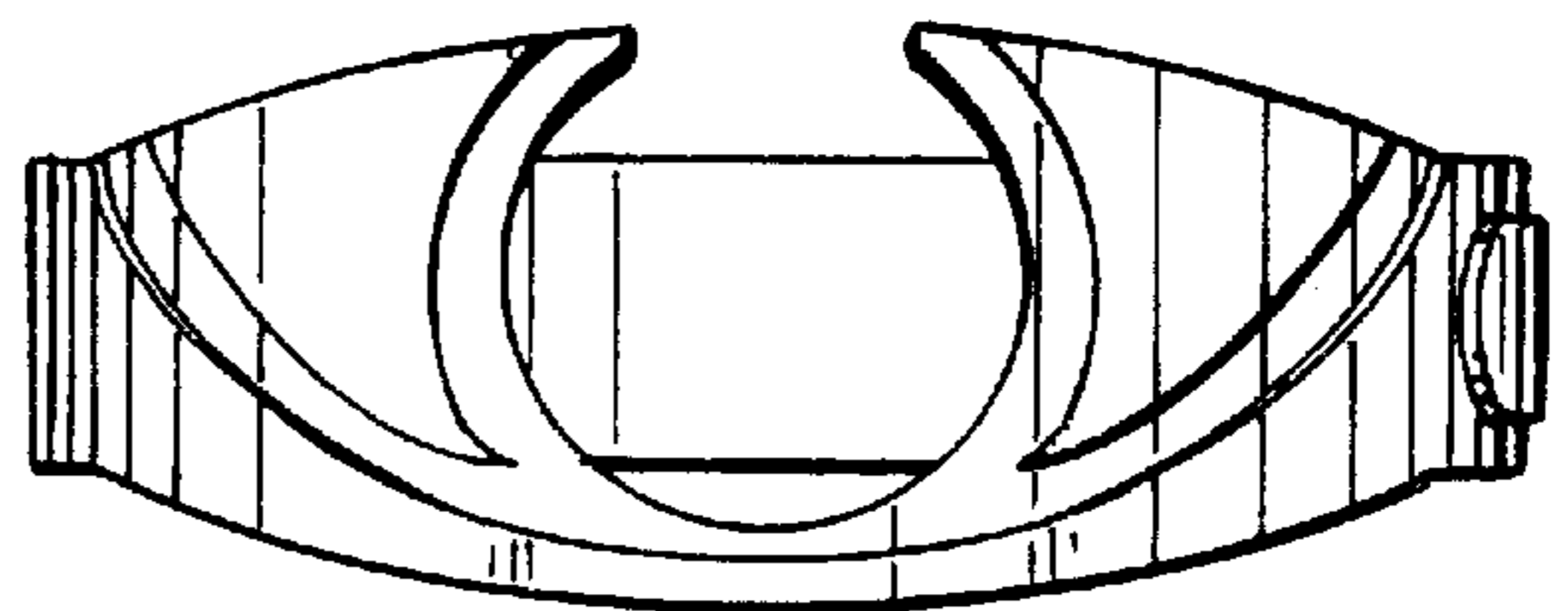


FIG. 4

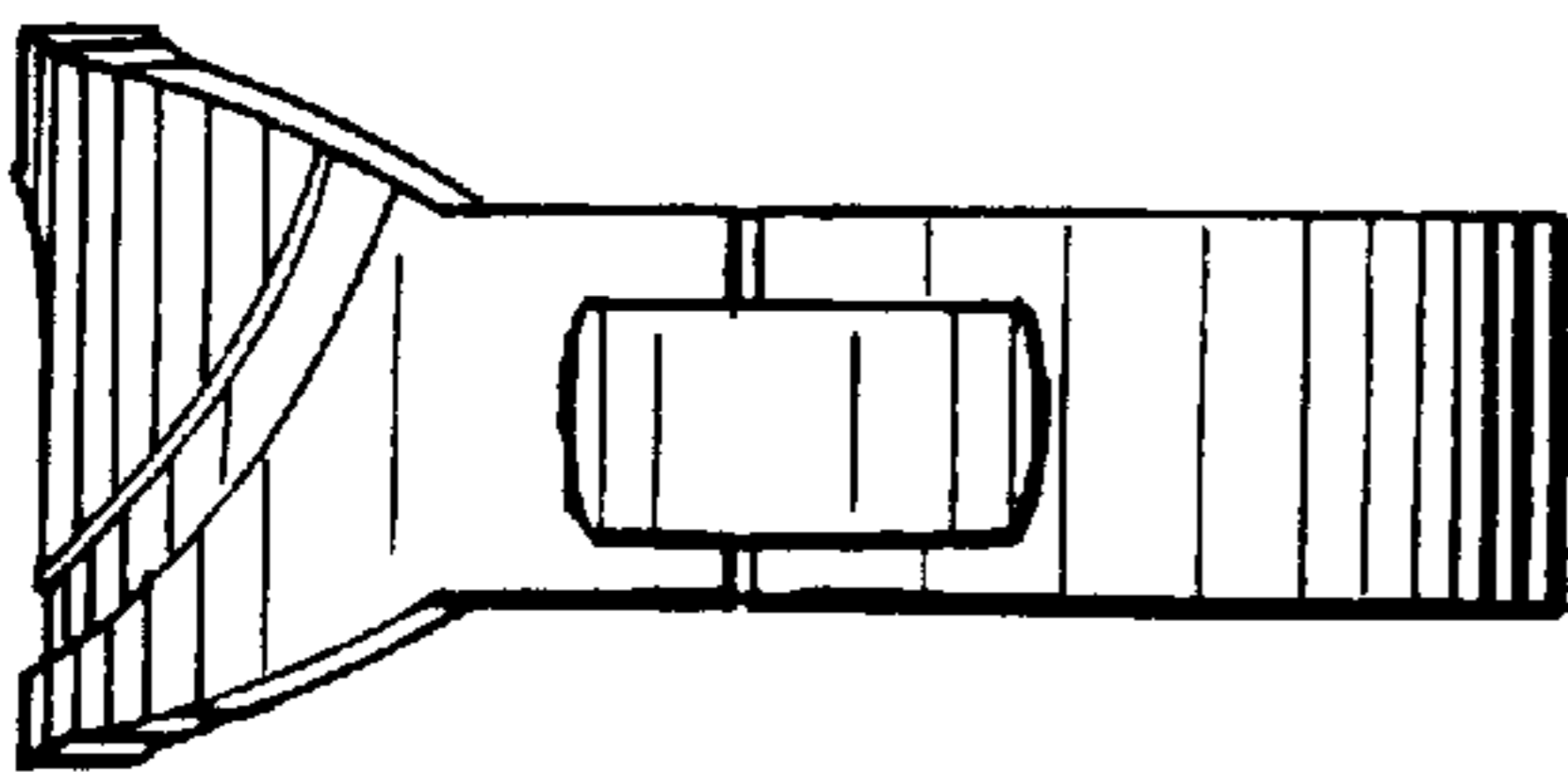


FIG. 3

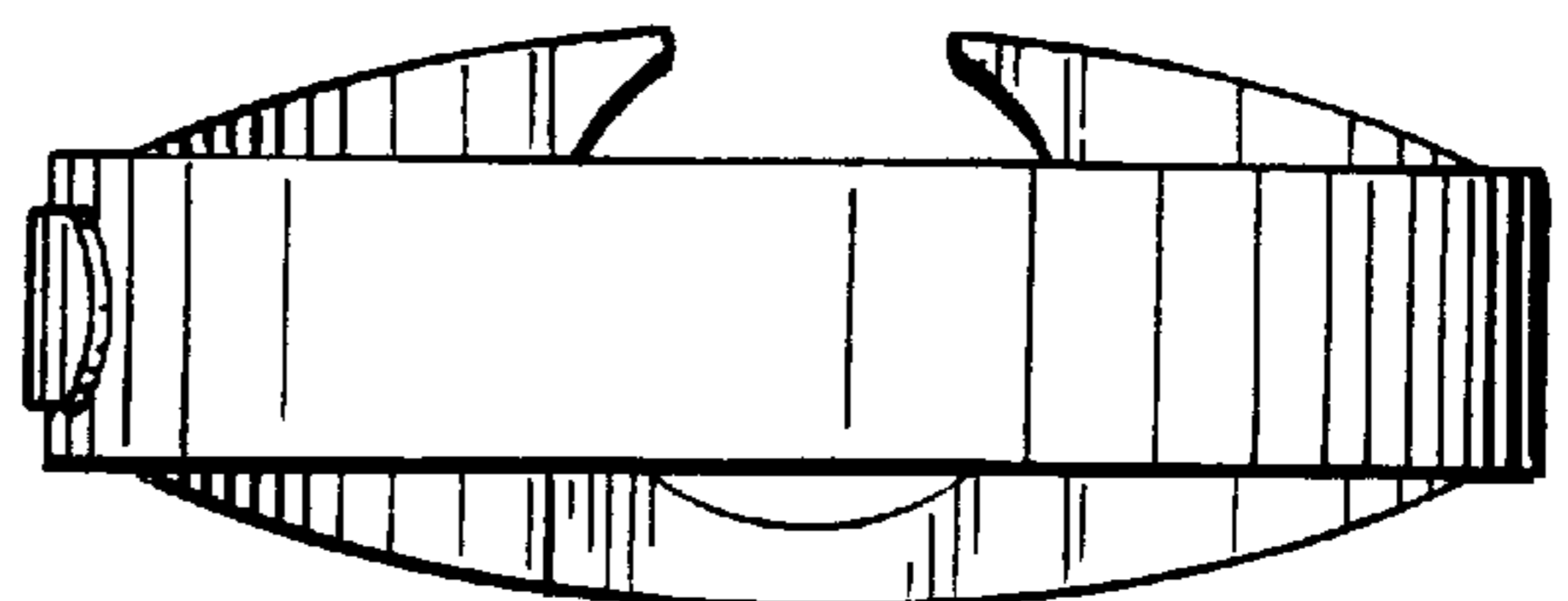


FIG. 5

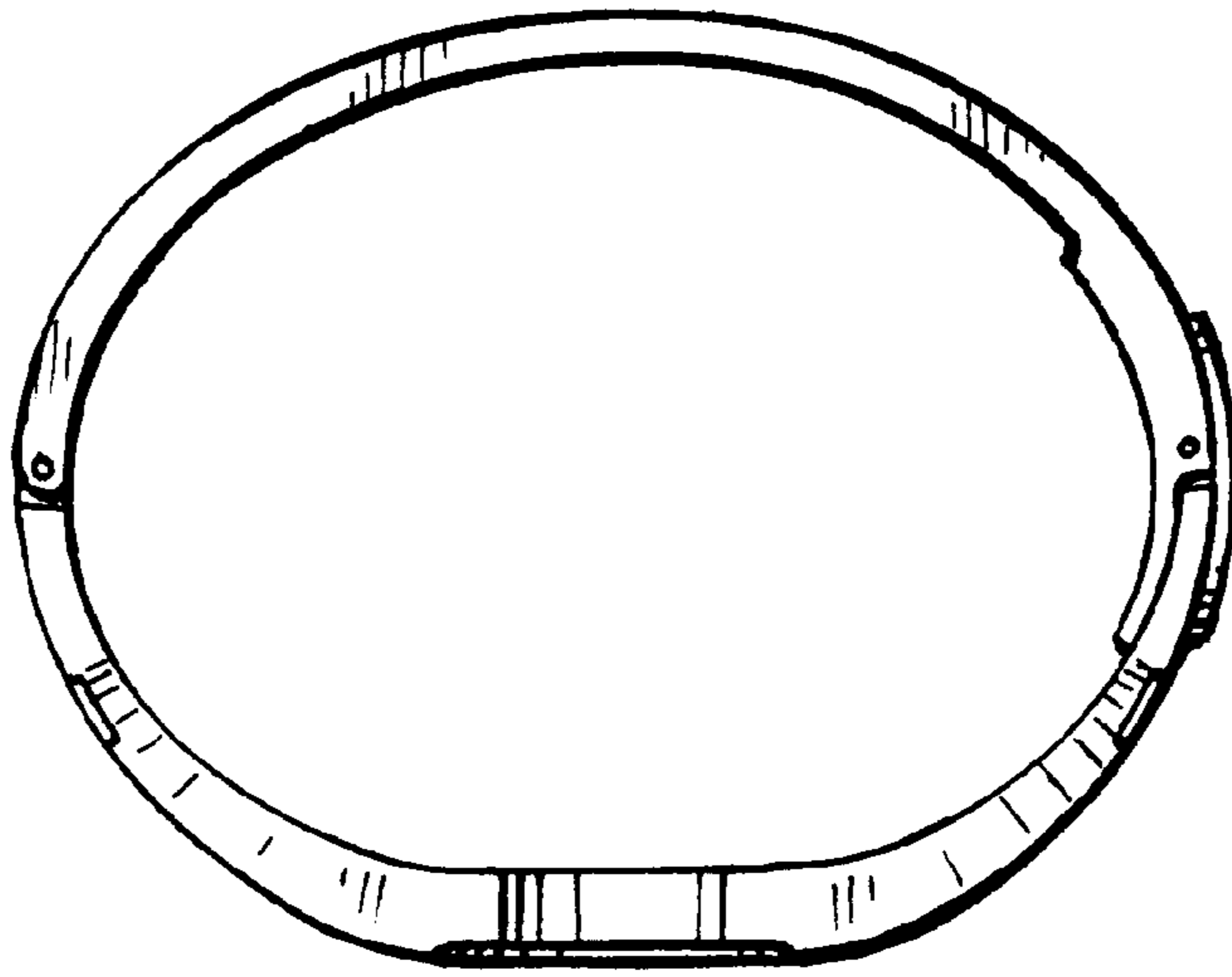


FIG. 6

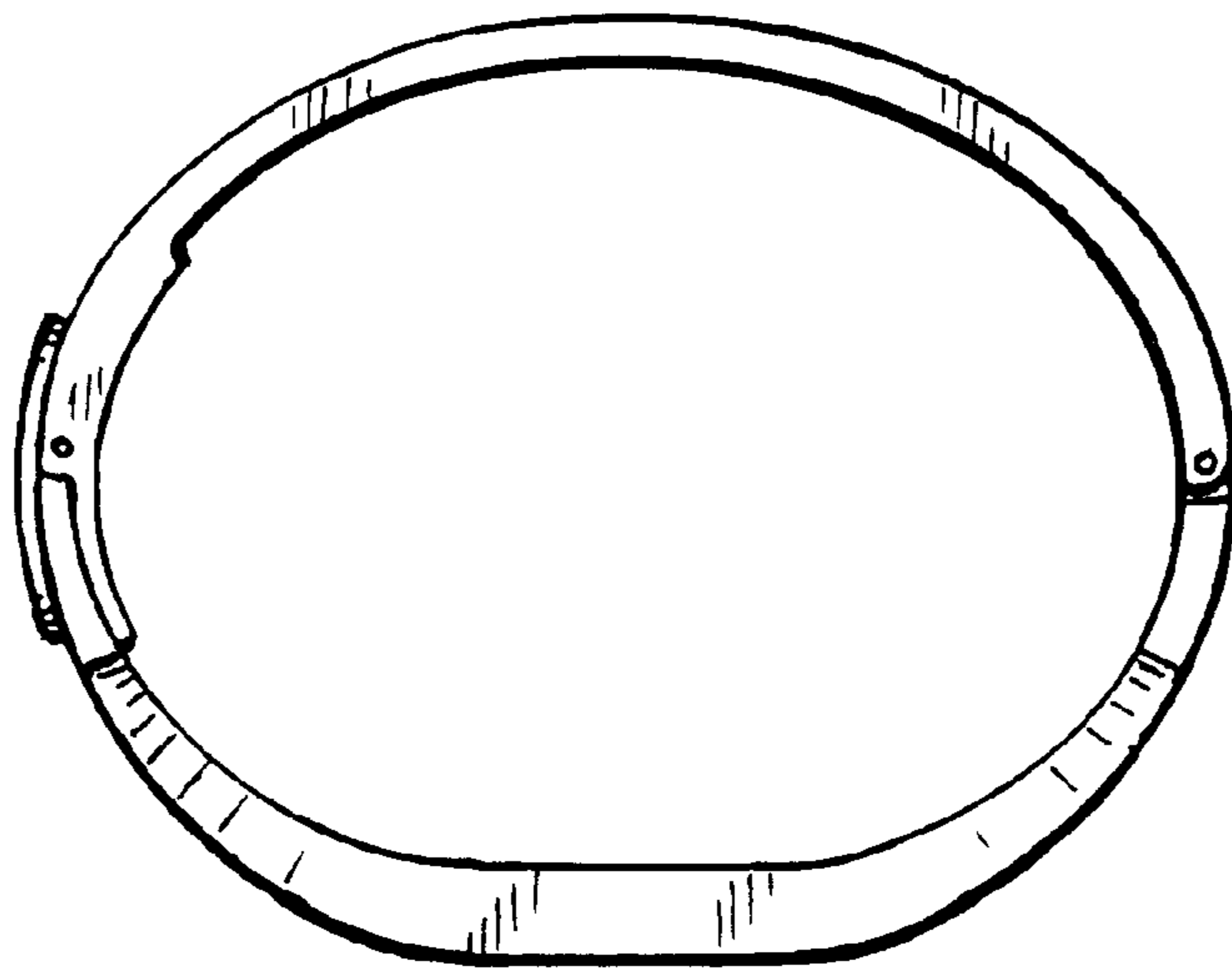


FIG. 7

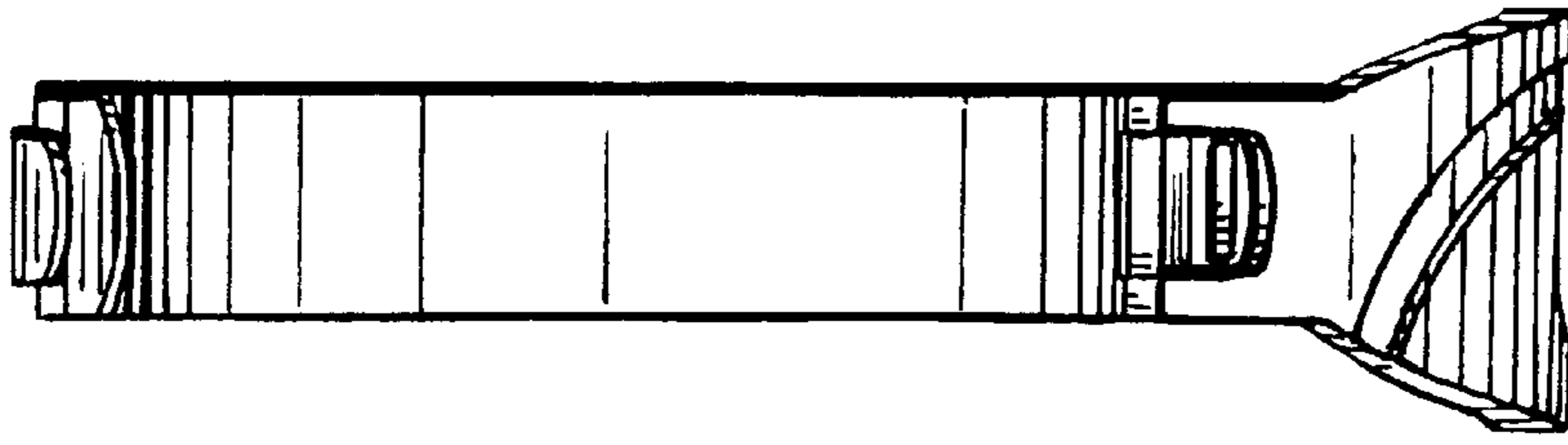


FIG. 9

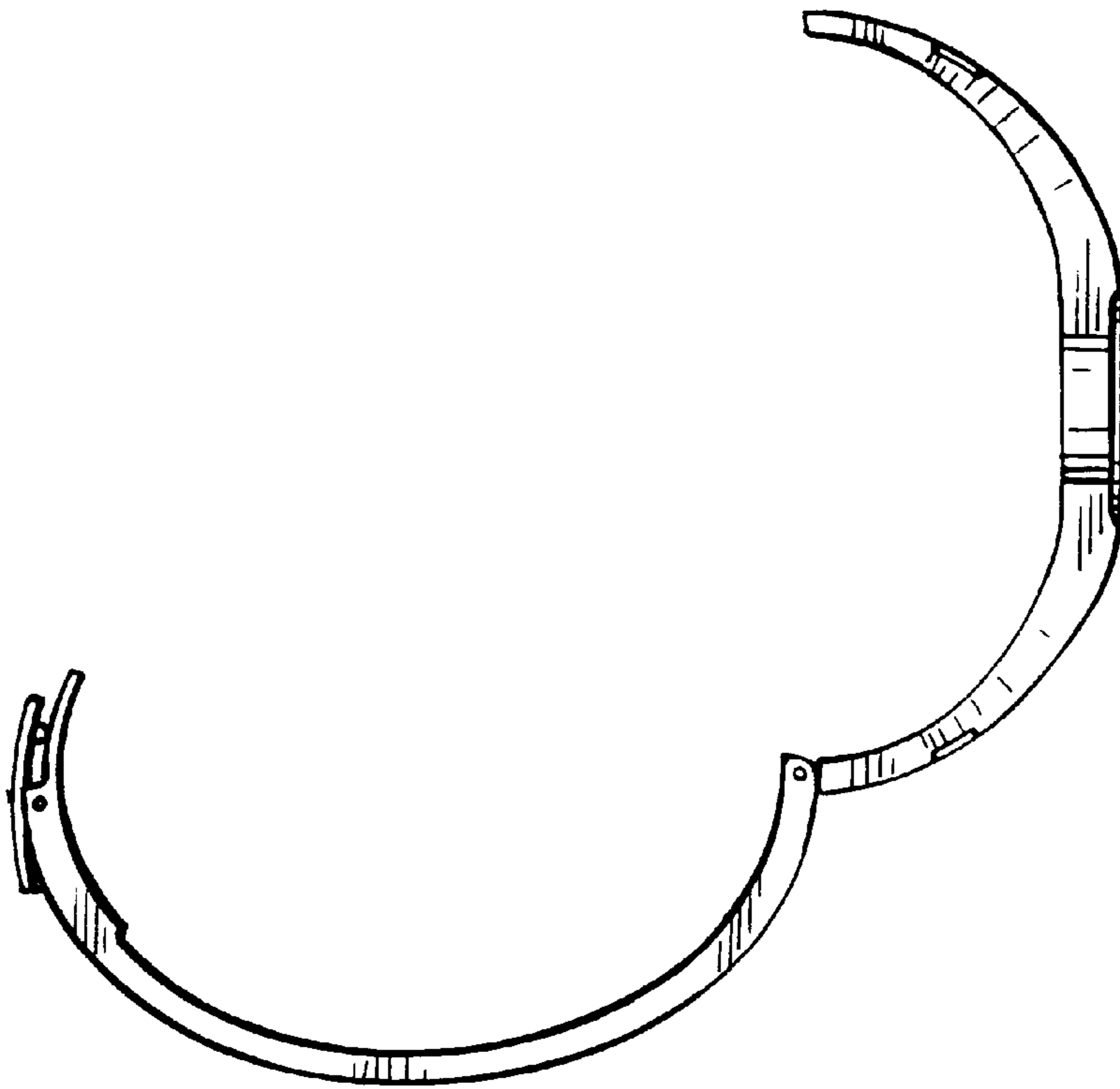


FIG. 10

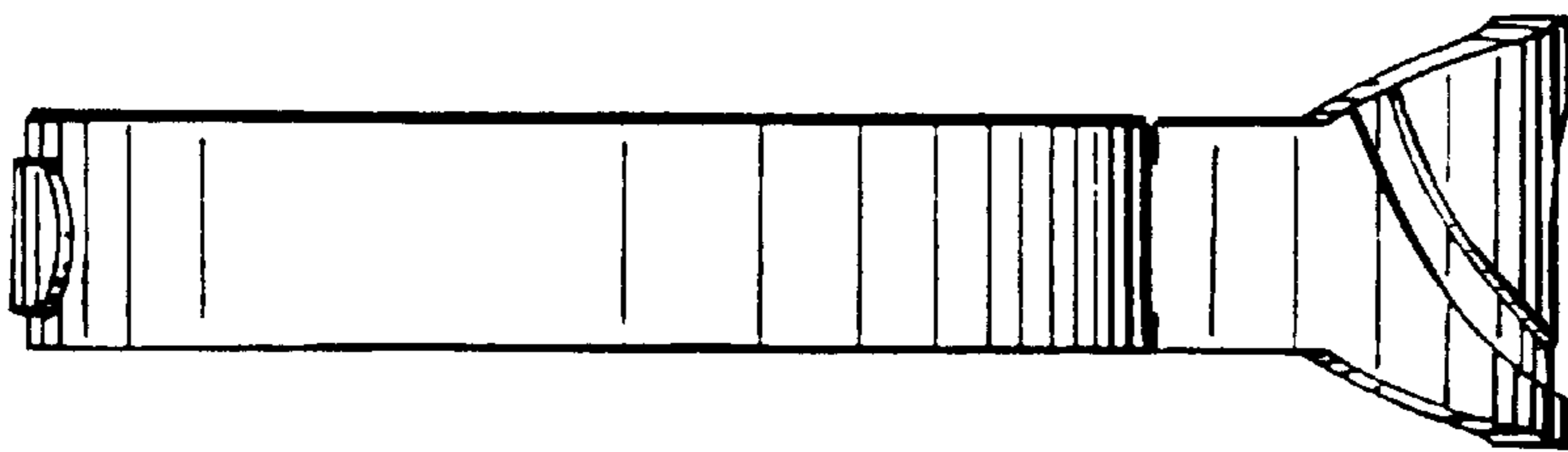


FIG. 8