



US00D442505S

(12) **United States Design Patent**
Pollock, III

(10) **Patent No.:** **US D442,505 S**

(45) **Date of Patent:** **** May 22, 2001**

(54) **LP GAS TANK WEIGHING STRUT**

6,135,104 * 10/2000 Lewis et al. 126/41 R

(75) Inventor: **Curtis H. Pollock, III**, Buena Vista,
GA (US)

* cited by examiner

(73) Assignee: **W. C. Bradley Company**, Columbus,
GA (US)

Primary Examiner—Antoine Duval Davis
(74) *Attorney, Agent, or Firm*—James W. Kayden; Thomas,
Kayden, Horstemeyer & Risley

(**) Term: **14 Years**

(57) **CLAIM**

(21) Appl. No.: **29/118,943**

The ornamental design of a LP gas tank weighing strut, as shown and described.

(22) Filed: **Feb. 18, 2000**

DESCRIPTION

(51) **LOC (7) Cl.** **10-04**

FIG. 1 is a perspective view showing my new LP gas tank weighing strut;

(52) **U.S. Cl.** **D10/94**

FIG. 2 is a rear elevational view thereof;

(58) **Field of Search** D10/87, 94; D7/332,

FIG. 3 is a front elevational view thereof;

D7/337; 126/41 R

FIG. 4 is a right side elevational view thereof;

(56) **References Cited**

FIG. 5 is a left side elevational view thereof; and

U.S. PATENT DOCUMENTS

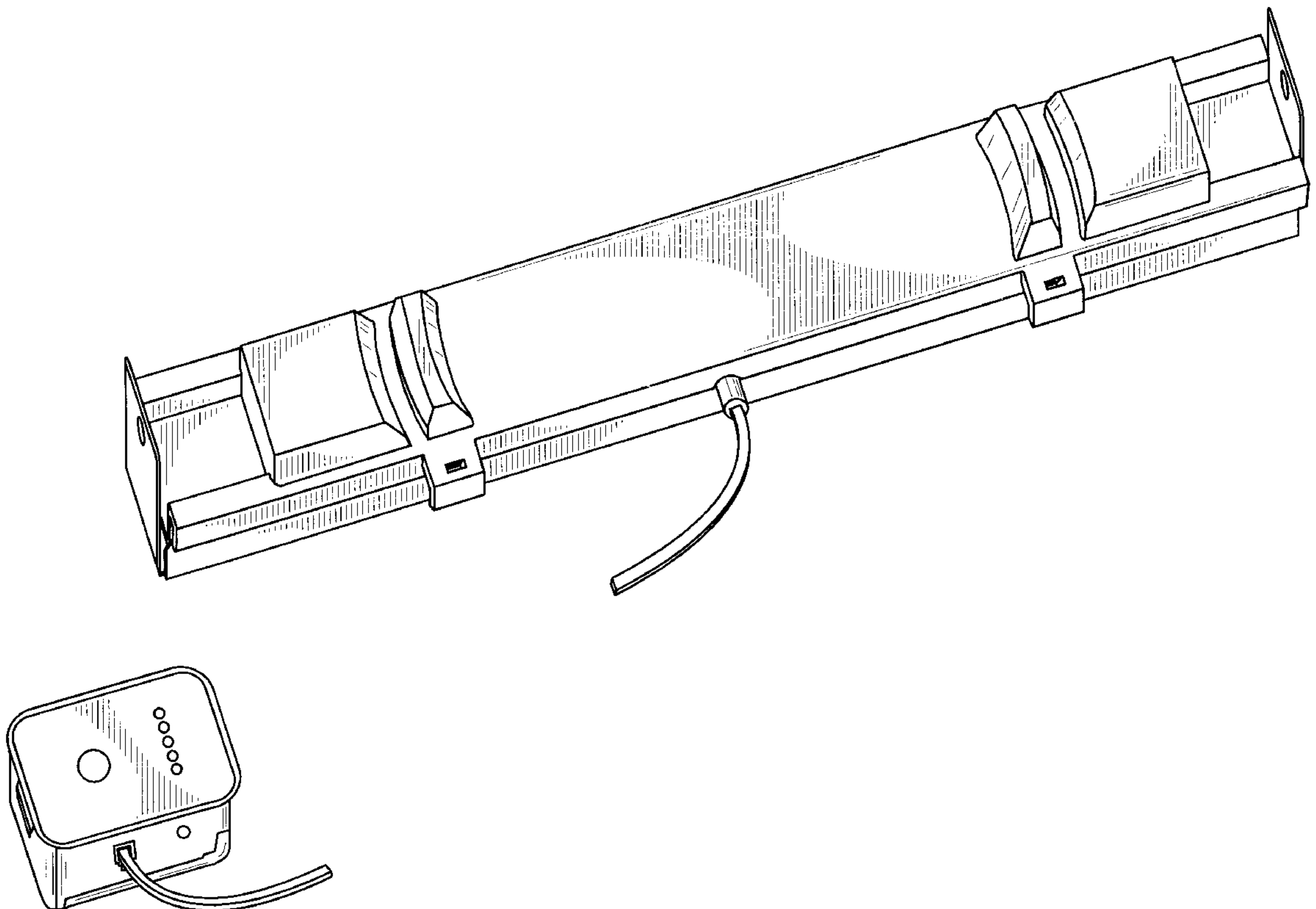
FIG. 6 is a top plan view thereof; and,

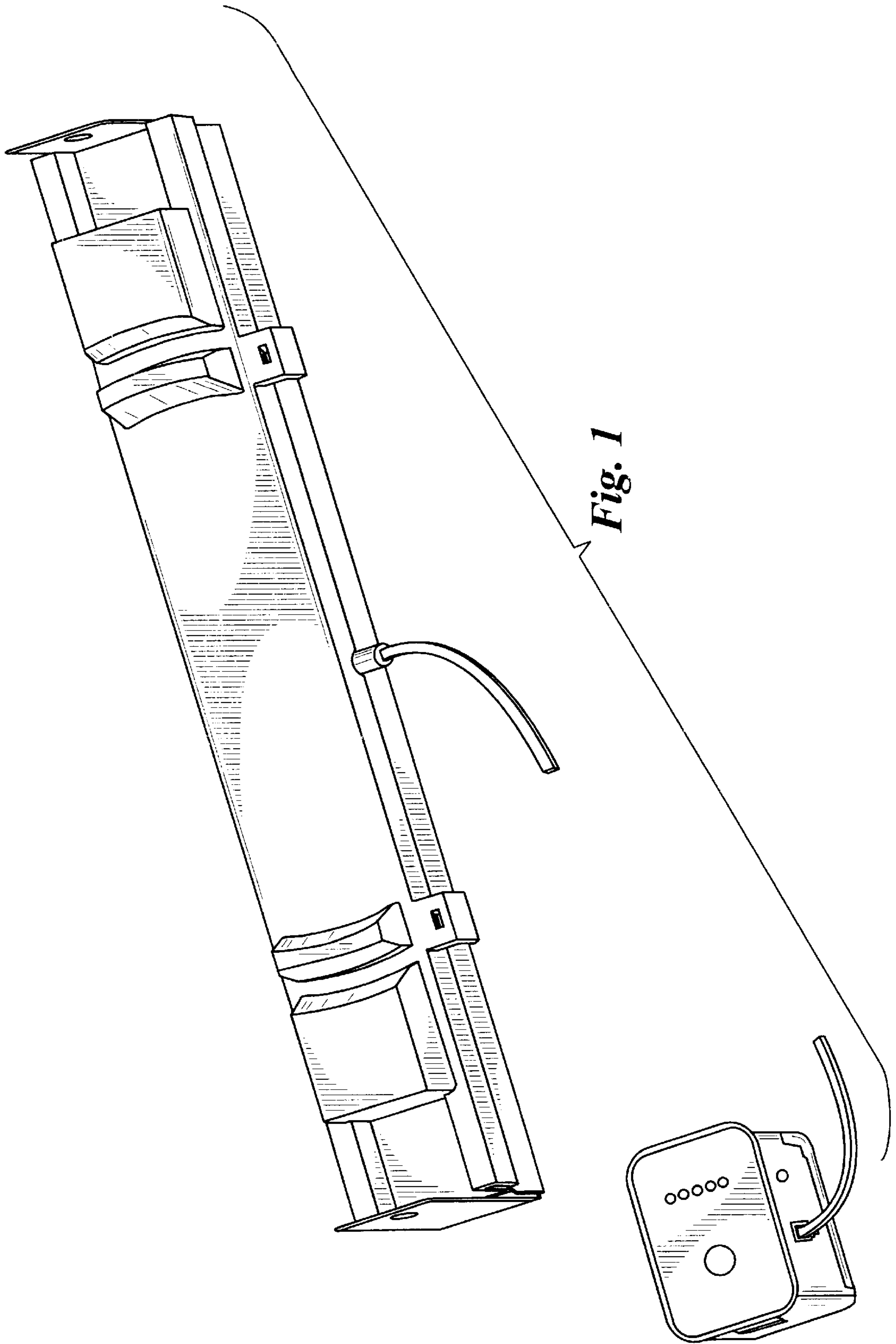
5,458,309 * 10/1995 Craven, Jr. et al. 126/41 R X

FIG. 7 is a bottom plan view thereof.

5,931,149 * 8/1999 Lewis 126/41 R

1 Claim, 4 Drawing Sheets





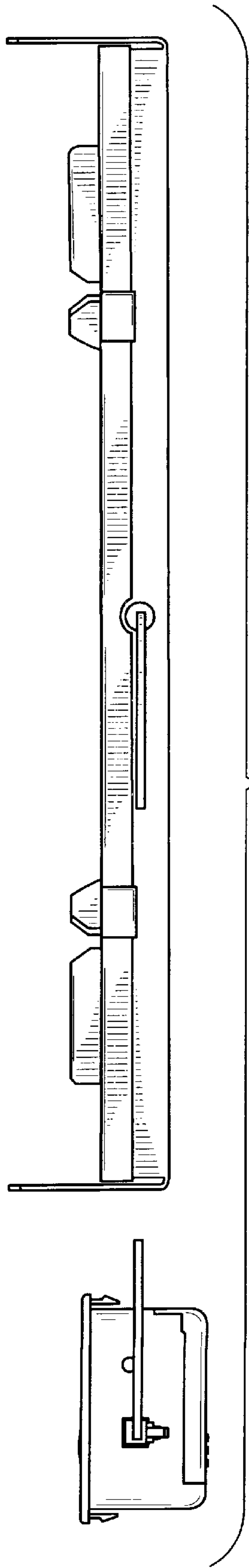


Fig. 2

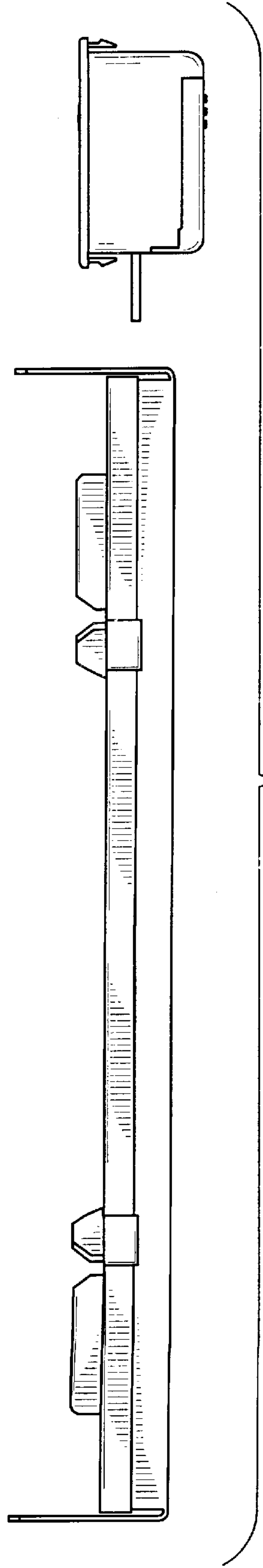


Fig. 3

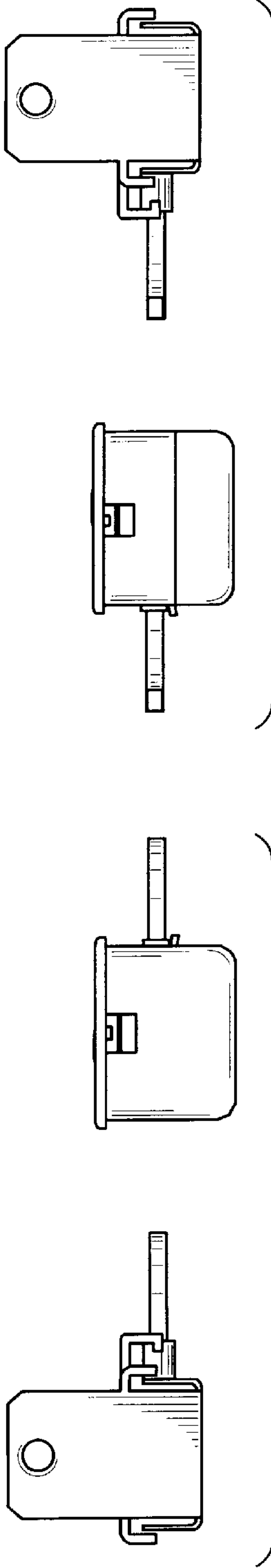
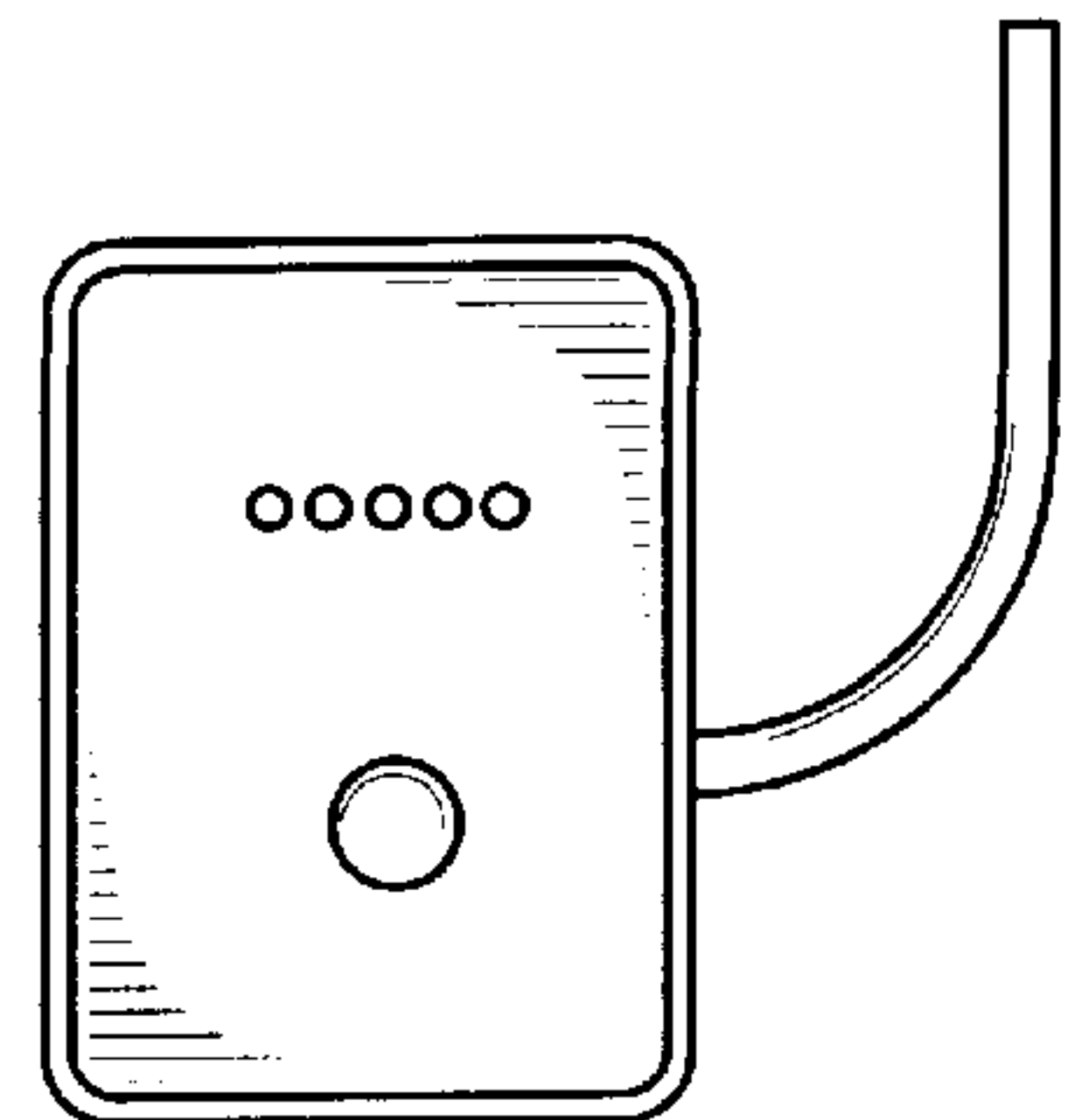
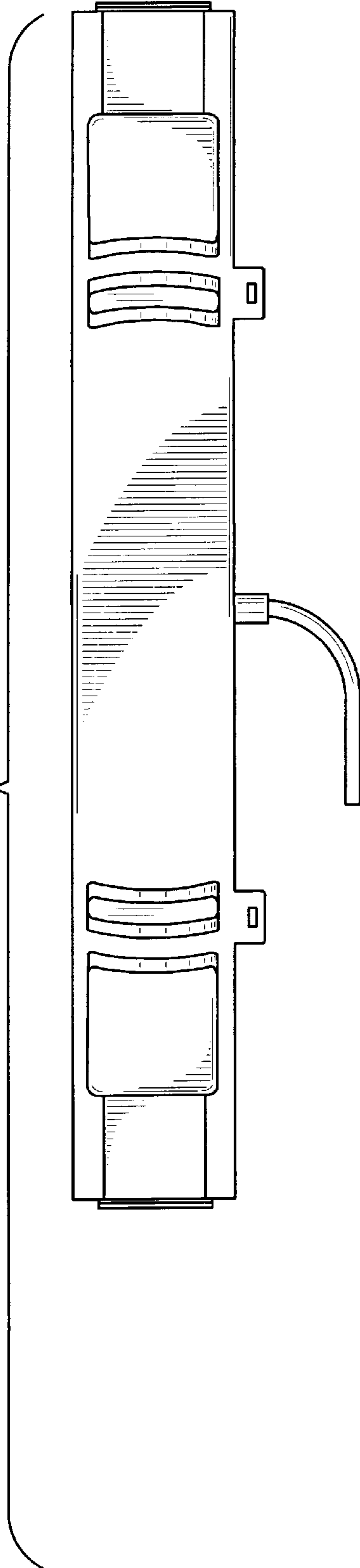


Fig. 5

Fig. 4

Fig. 6



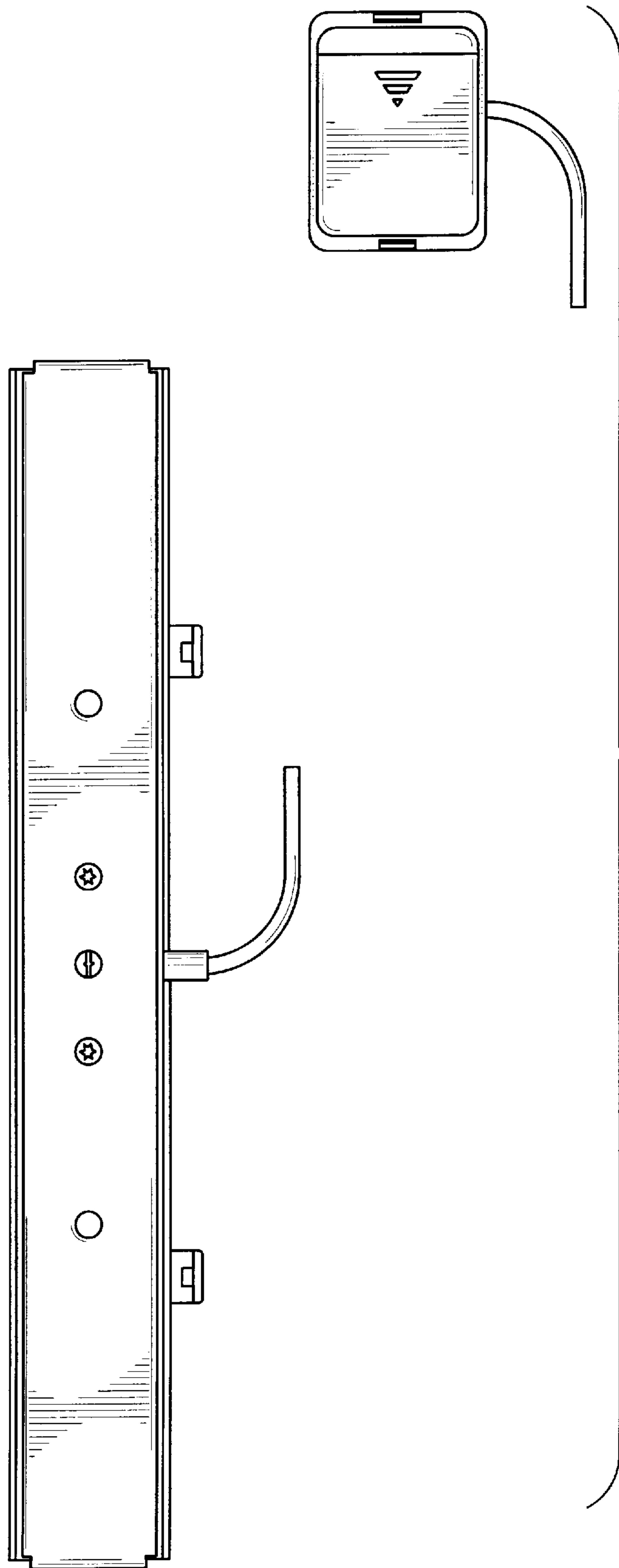


Fig. 7