



US00D442503S

(12) **United States Design Patent**
Lundbeck et al.

(10) **Patent No.:** **US D442,503 S**

(45) **Date of Patent:** **** May 22, 2001**

(54) **HANDHELD BATTERY TESTER**

(75) Inventors: **Bryan R. Lundbeck**, Moroni; **Dale B. Henningson**, Manti, both of UT (US)

(73) Assignee: **Auto Meter Products, Inc.**, Sycamore, IL (US)

(**) Term: **14 Years**

(21) Appl. No.: **29/124,312**

(22) Filed: **Jun. 2, 2000**

(51) **LOC (7) Cl.** **10-04**

(52) **U.S. Cl.** **D10/77; D10/78**

(58) **Field of Search** D10/78, 77; 324/426;
320/132, 134, 136, DIG. 18, DIG. 21; 429/426,
429, 432, 433; 340/635, 636

(56) **References Cited**

U.S. PATENT DOCUMENTS

D. 196,238	*	9/1963	Johnson et al.	D10/77
D. 252,502	*	7/1979	Kelly, III	D10/77
5,889,386	*	3/1999	Koenck	324/426
6,121,753	*	9/2000	Walker et al.	320/132

OTHER PUBLICATIONS

Product Literature for Micro 200/205 of Midtronics, Inc. USA.

Product Literature for Monitron MCT-148 of Midtronics, Inc. USA.

Product Literature for Midtron 3200 of Midtronics, Inc. USA.

Product Literature for Celltron Plus of Midtronics, Inc. USA.

Product Literature for Micro Celltron of Midtronics, Inc. USA.

* cited by examiner

Primary Examiner—Antoine Duval Davis

(74) *Attorney, Agent, or Firm*—Jenkins & Gilchrist

(57) **CLAIM**

The ornamental design for handheld battery tester, as shown and described.

DESCRIPTION

FIG. 1 is a front perspective view;

FIG. 2 is an enlarged front perspective view;

FIG. 3 is a front elevational view;

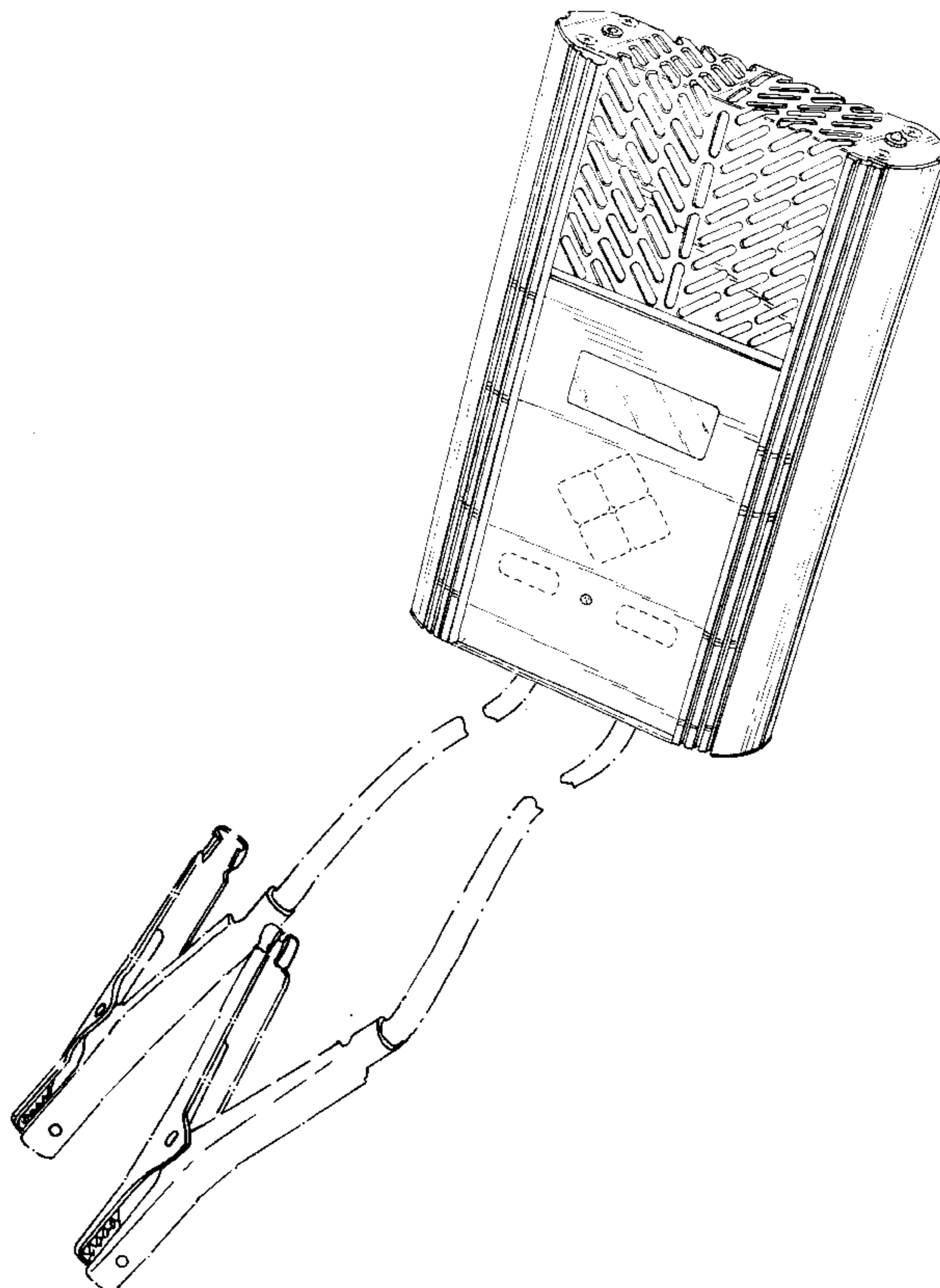
FIG. 4 is a rear elevational view;

FIG. 5 is an end view, the opposite end being a mirror image thereof;

FIG. 6 is a top plan view; and,

FIG. 7 is a bottom plan view.

1 Claim, 6 Drawing Sheets



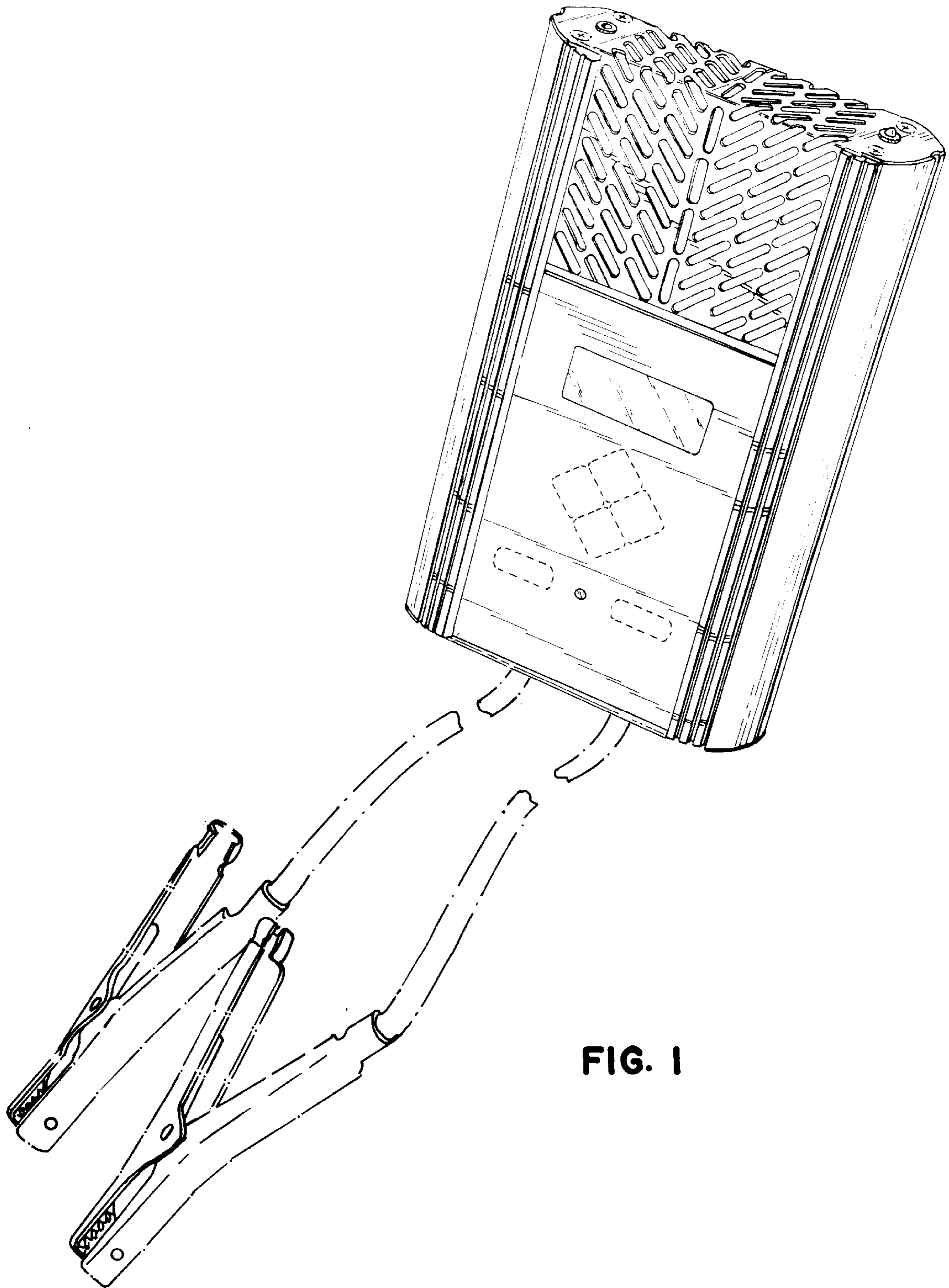


FIG. 1

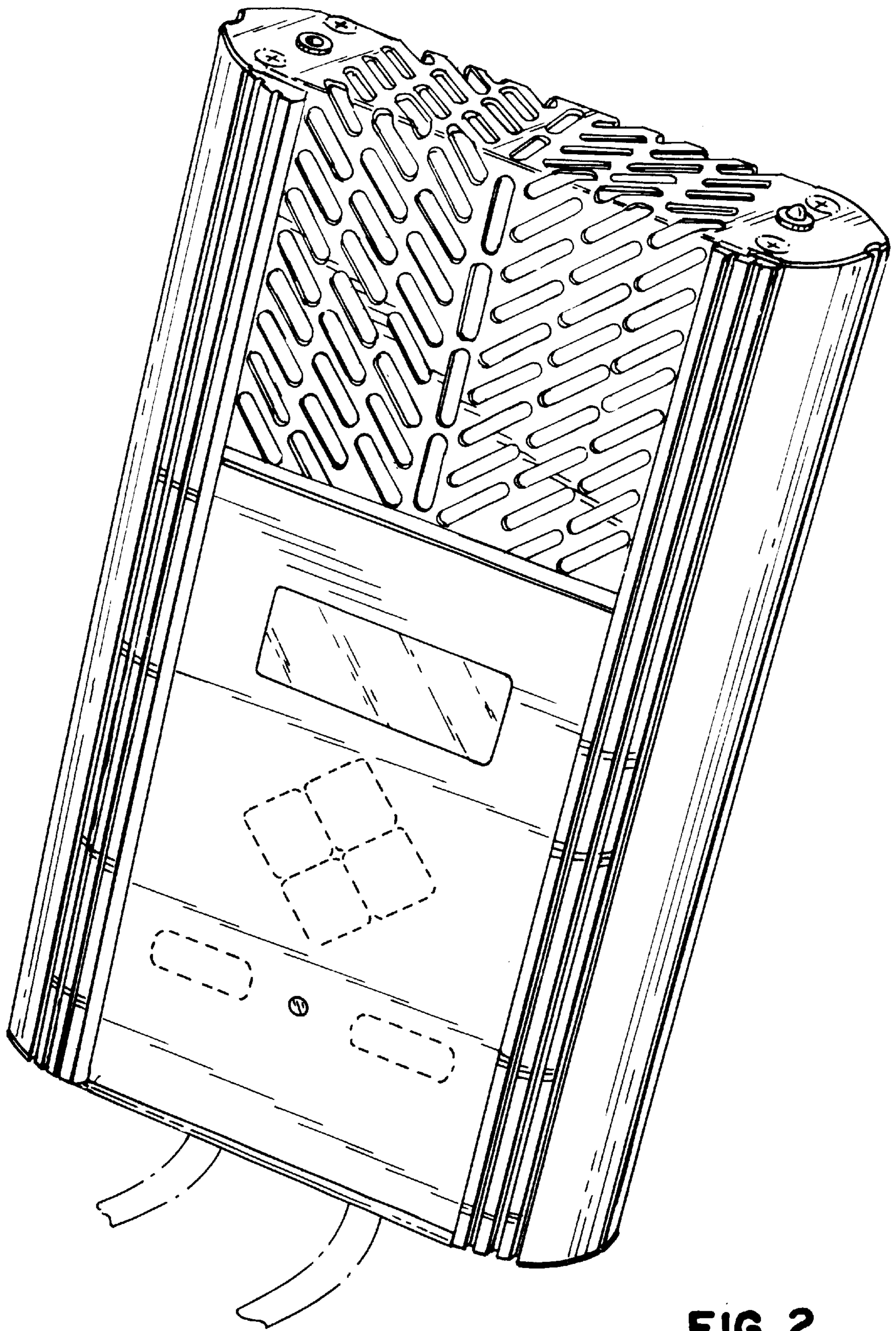


FIG. 2

FIG. 3

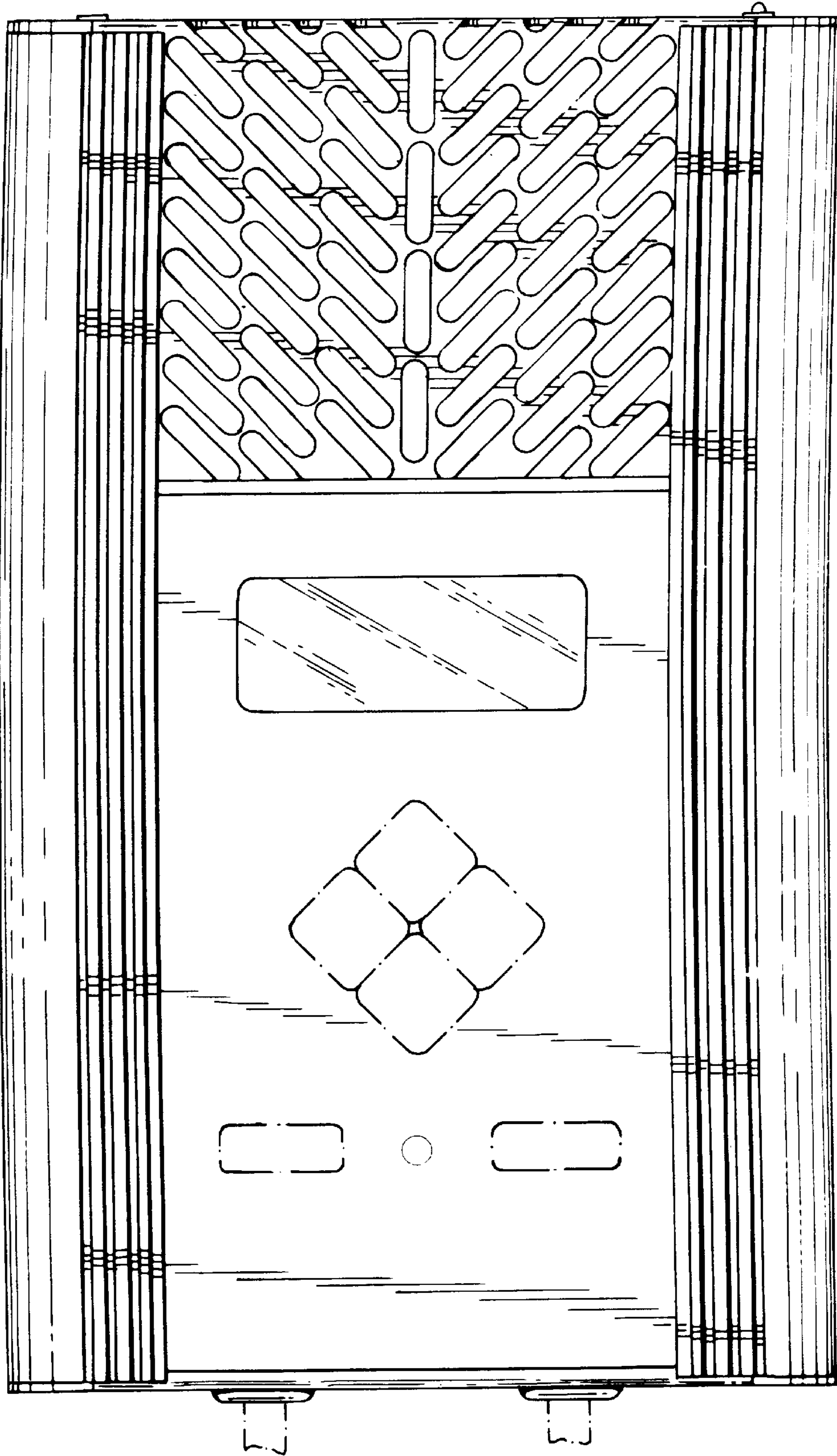
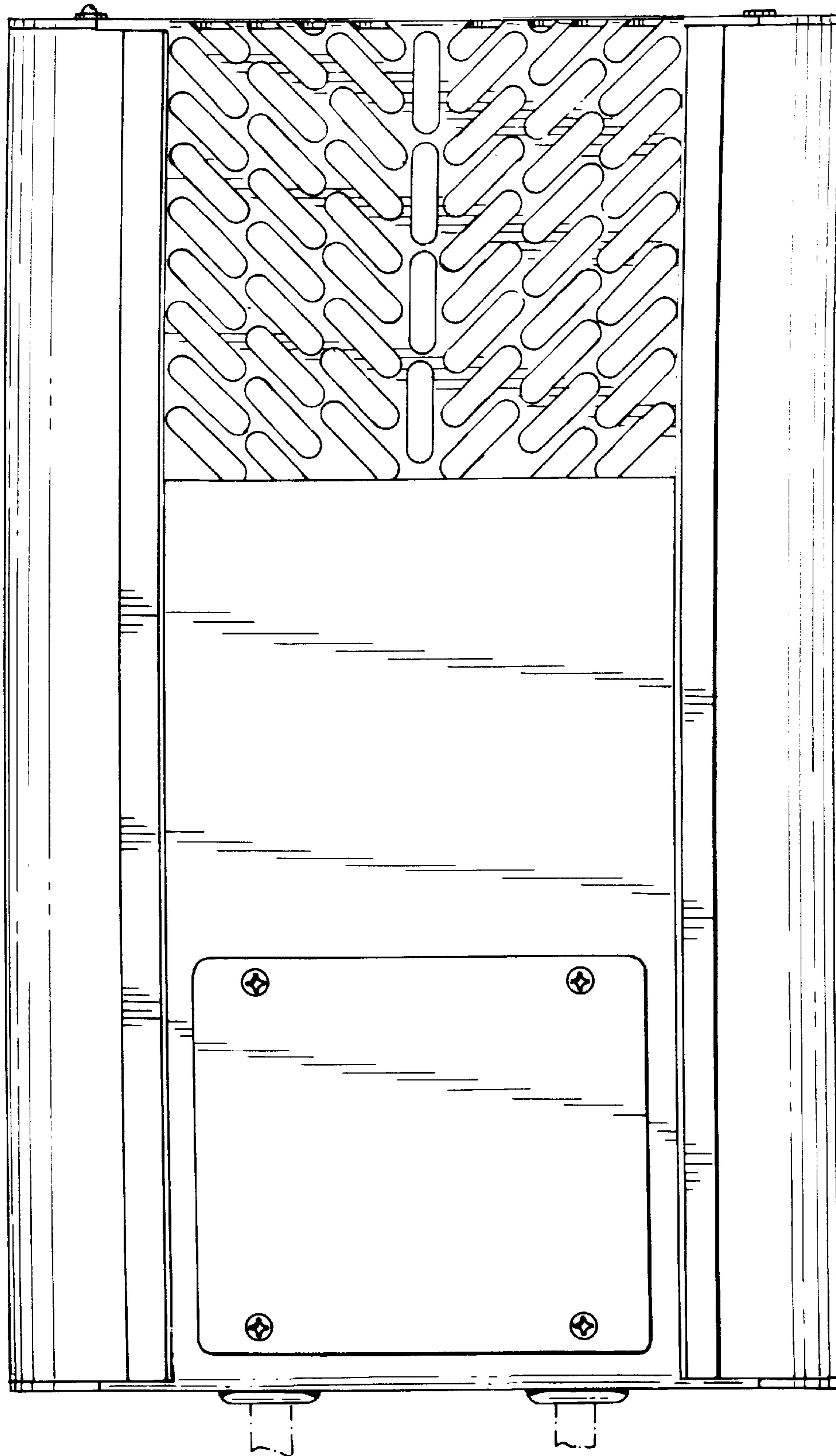


FIG. 4



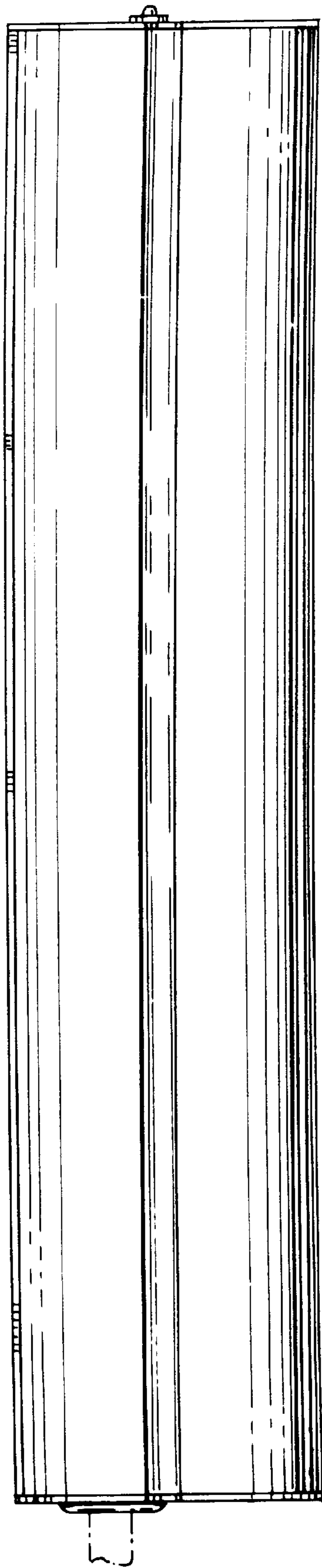


FIG. 5

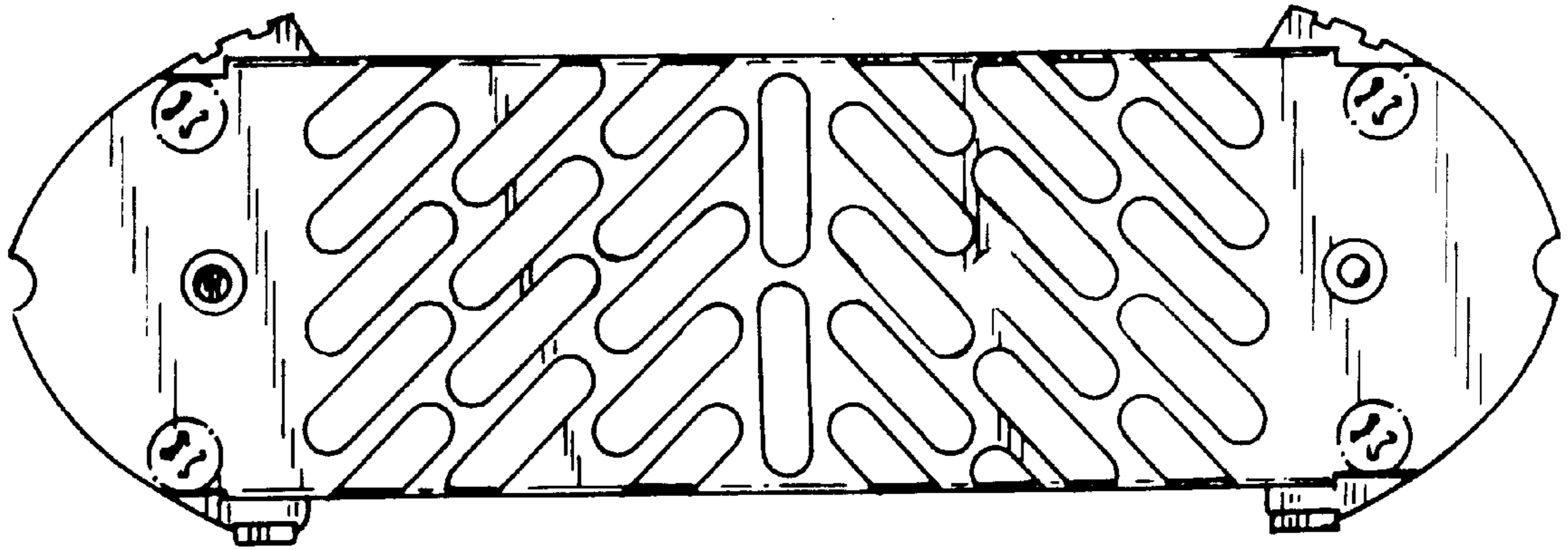


FIG. 6

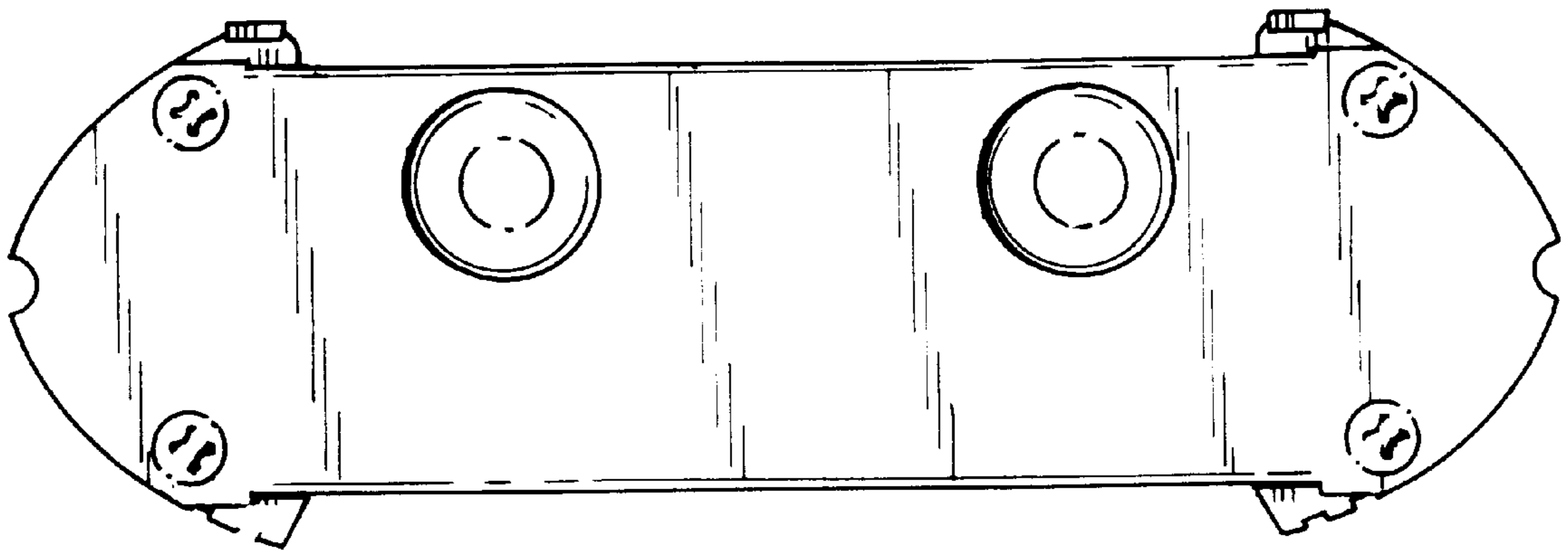


FIG. 7