



US00D442497S

(12) **United States Design Patent**
Ho

(10) **Patent No.:** **US D442,497 S**

(45) **Date of Patent:** **** May 22, 2001**

(54) **CLOCK**

(75) **Inventor:** **Wai Kwan Ho**, Kowloon (HK)

(73) **Assignee:** **Leona Lighting Design Ltd.**, New Territories (HK)

(**) **Term:** **14 Years**

(21) **Appl. No.:** **29/111,984**

(22) **Filed:** **Oct. 8, 1999**

(51) **LOC (7) Cl.** **10-01**

(52) **U.S. Cl.** **D10/16; D10/23**

(58) **Field of Search** D10/1-40, 122-132;
368/10, 16-18, 37, 203, 15, 276, 277, 294,
220, 285, 316-317

(56) **References Cited**

U.S. PATENT DOCUMENTS

D. 98,049	*	1/1936	Blow	D10/3
D. 104,658	*	5/1937	Fronenberg	D10/16
D. 105,766	*	8/1937	Rodanet	D10/6
D. 147,091	*	7/1947	Tellfer	D10/126
D. 168,521	*	12/1952	Rudanet	D10/6
D. 184,092	*	12/1958	Kremer	D10/23 X
D. 187,608	*	4/1960	Merrigan	D10/6
D. 212,773	*	11/1968	Booth	D10/126
D. 244,672	*	6/1977	Molyneux et al.	D10/126
D. 275,840	*	10/1984	Rhetts	D10/6
D. 316,047	*	4/1991	Imai	D10/28

D. 363,230	*	10/1995	Moore	D10/28
D. 392,900	*	3/1998	Shields	D10/22
1,420,549	*	6/1922	Horn	368/203
1,510,139	*	9/1924	Dorsey	368/203
2,399,365	*	4/1946	Link	368/16 X
3,183,659	*	5/1965	Etienne	368/220
4,374,623	*	2/1983	Simon	368/79
4,740,931	*	4/1988	Graves	368/17
5,344,325	*	9/1994	Wang	368/16 X
5,850,373	*	12/1998	Lee	368/65

OTHER PUBLICATIONS

H.F.D. Nov. 4, 1985, p. 164, Tropical table clocks.*

* cited by examiner

Primary Examiner—Jeffrey Asch

(74) *Attorney, Agent, or Firm*—Leydig, Voit & Mayer, Ltd.

(57) **CLAIM**

The ornamental design for a clock, as shown and described.

DESCRIPTION

FIG. 1 is a front elevational view of a clock showing my new design;

FIG. 2 is a rear elevational view thereof;

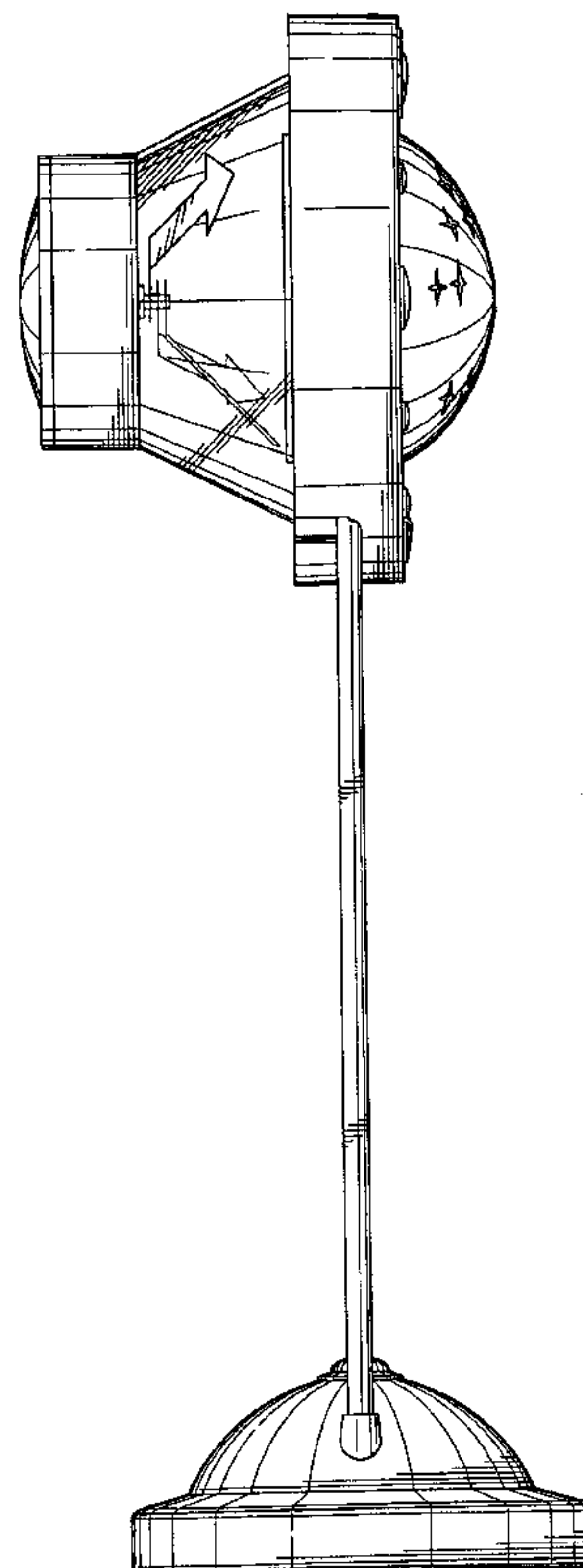
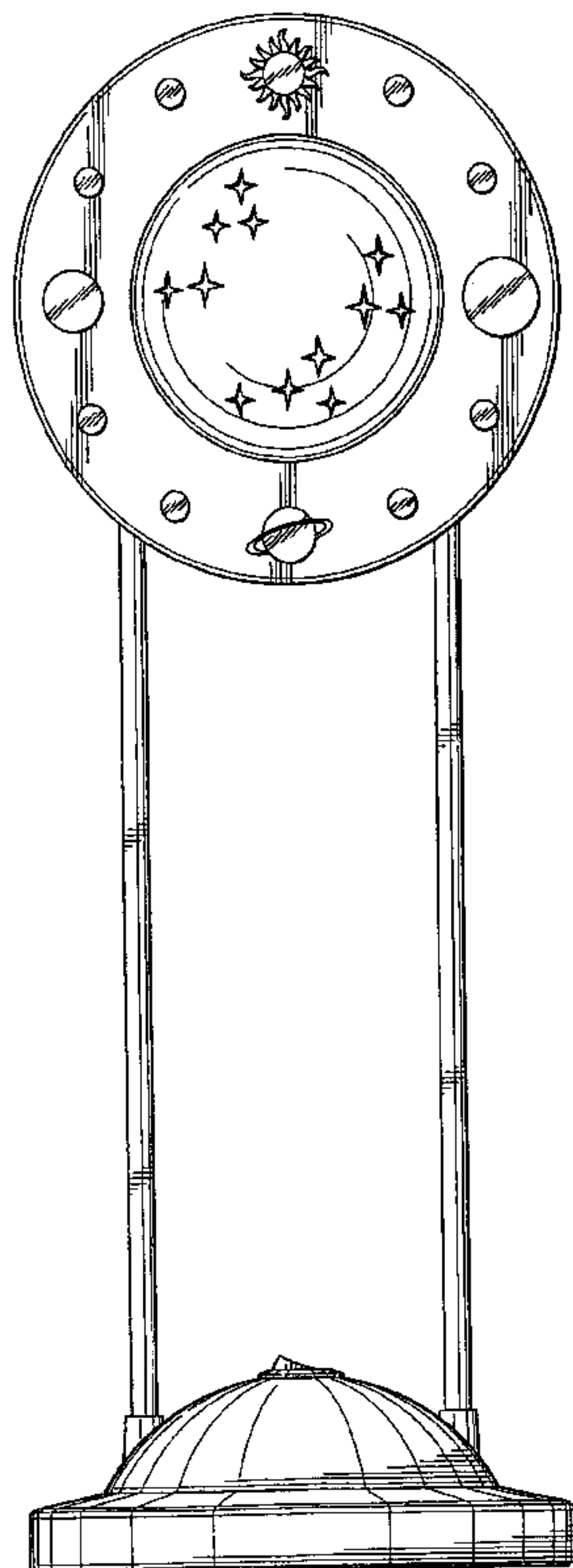
FIG. 3 is a left side elevational view thereof;

FIG. 4 is a right side elevational view thereof;

FIG. 5 is a top plan view thereof; and,

FIG. 6 is a bottom plan view thereof.

1 Claim, 5 Drawing Sheets



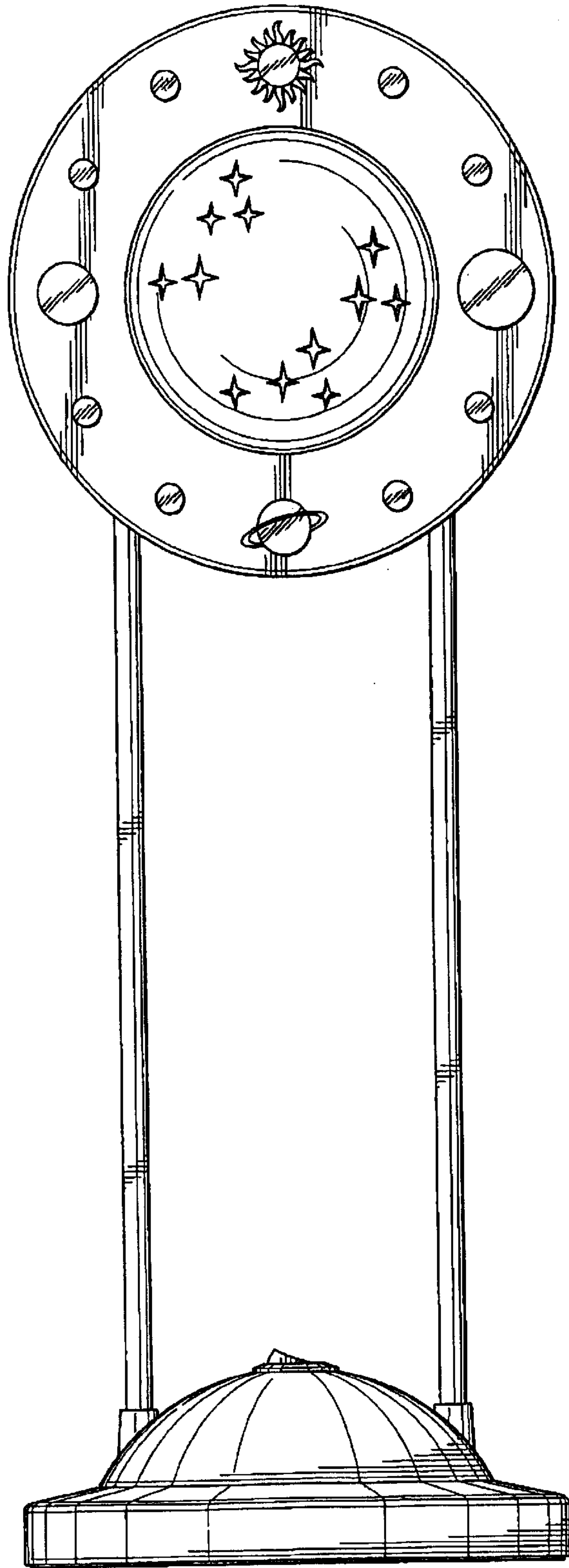


FIG. 1

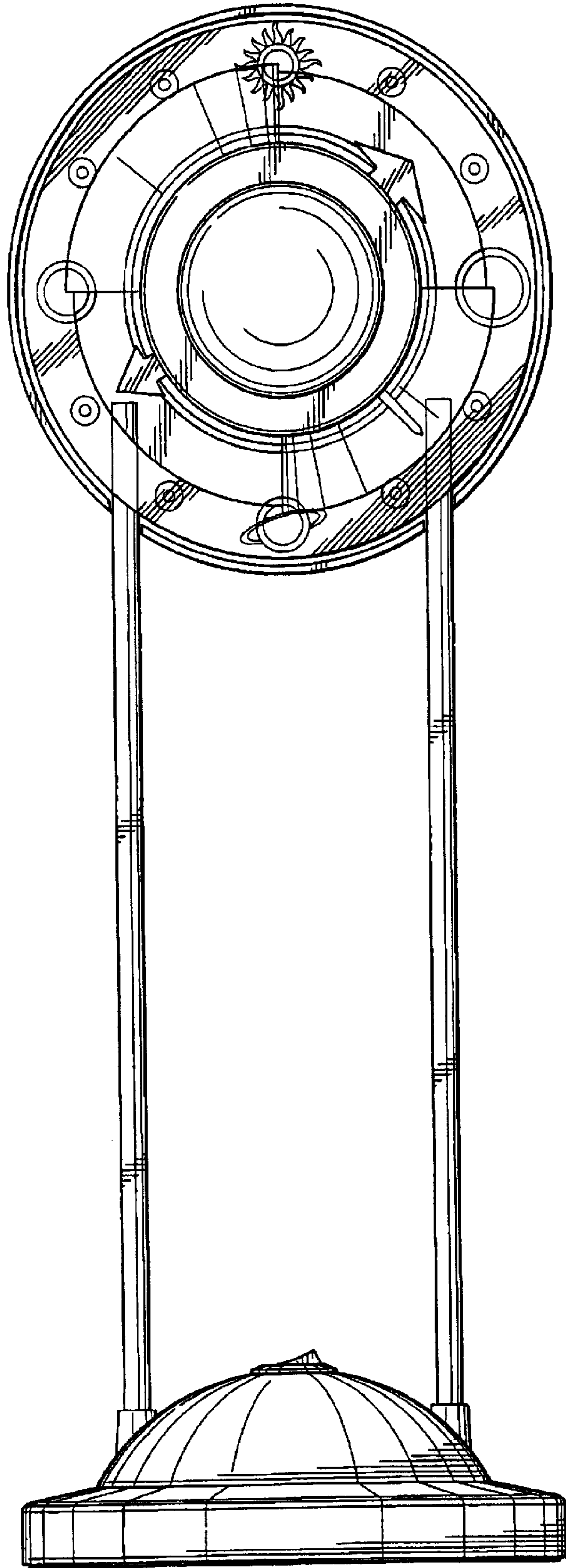


FIG. 2

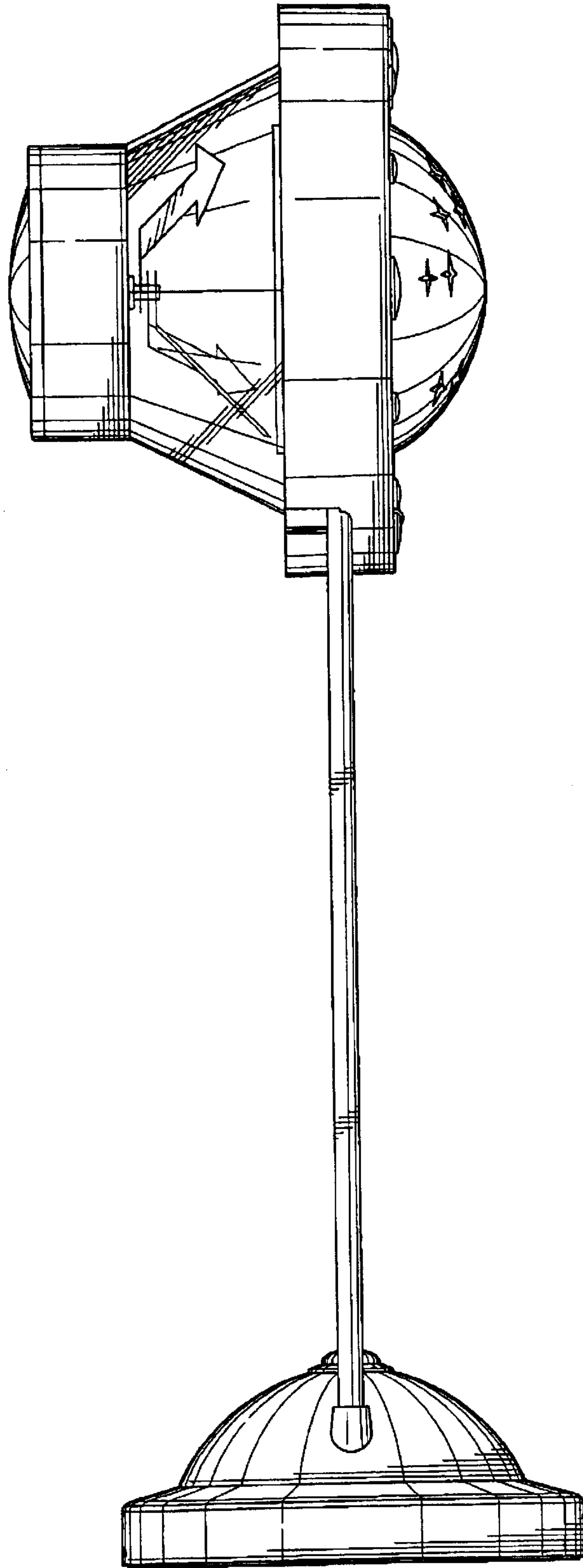


FIG. 3

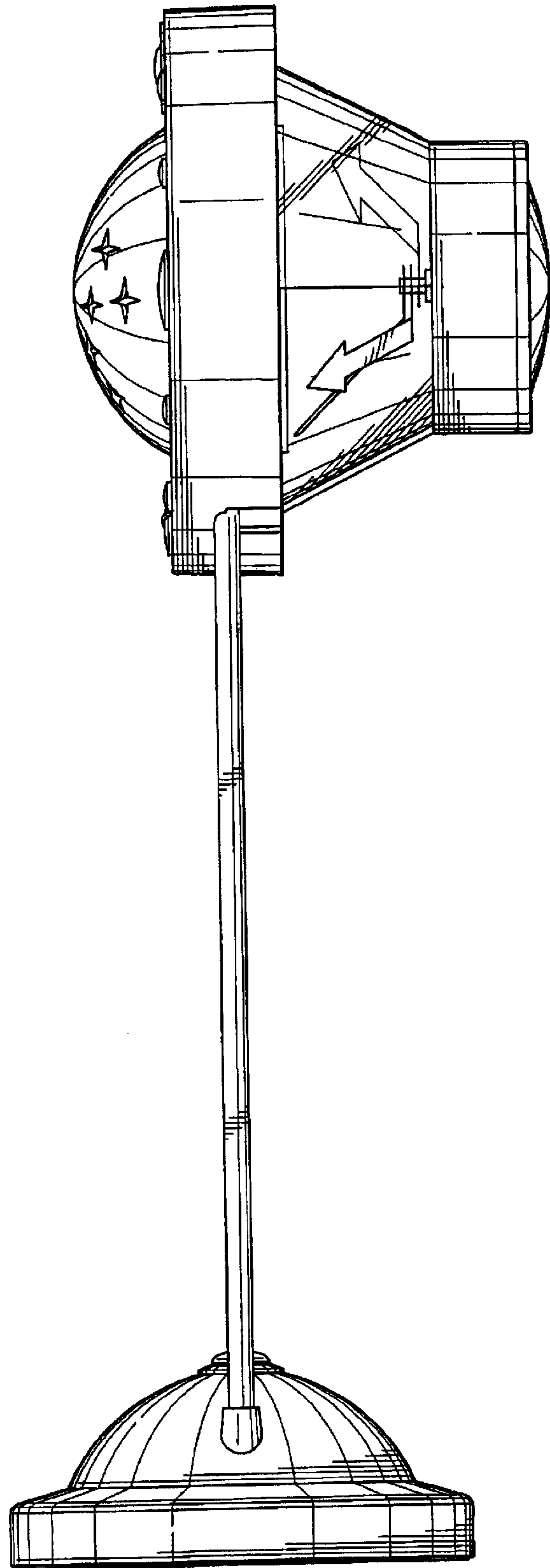


FIG. 4

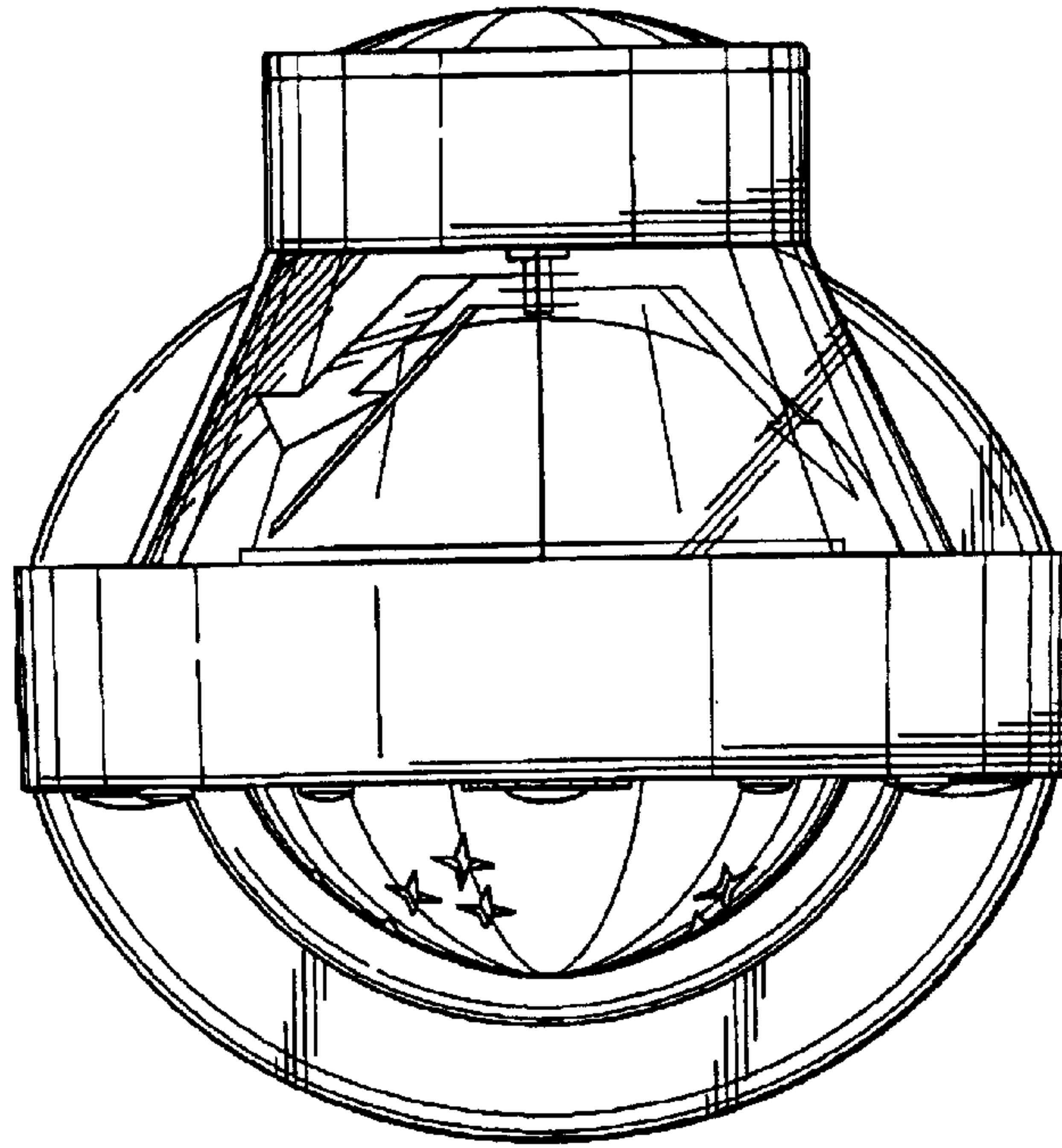


FIG. 5

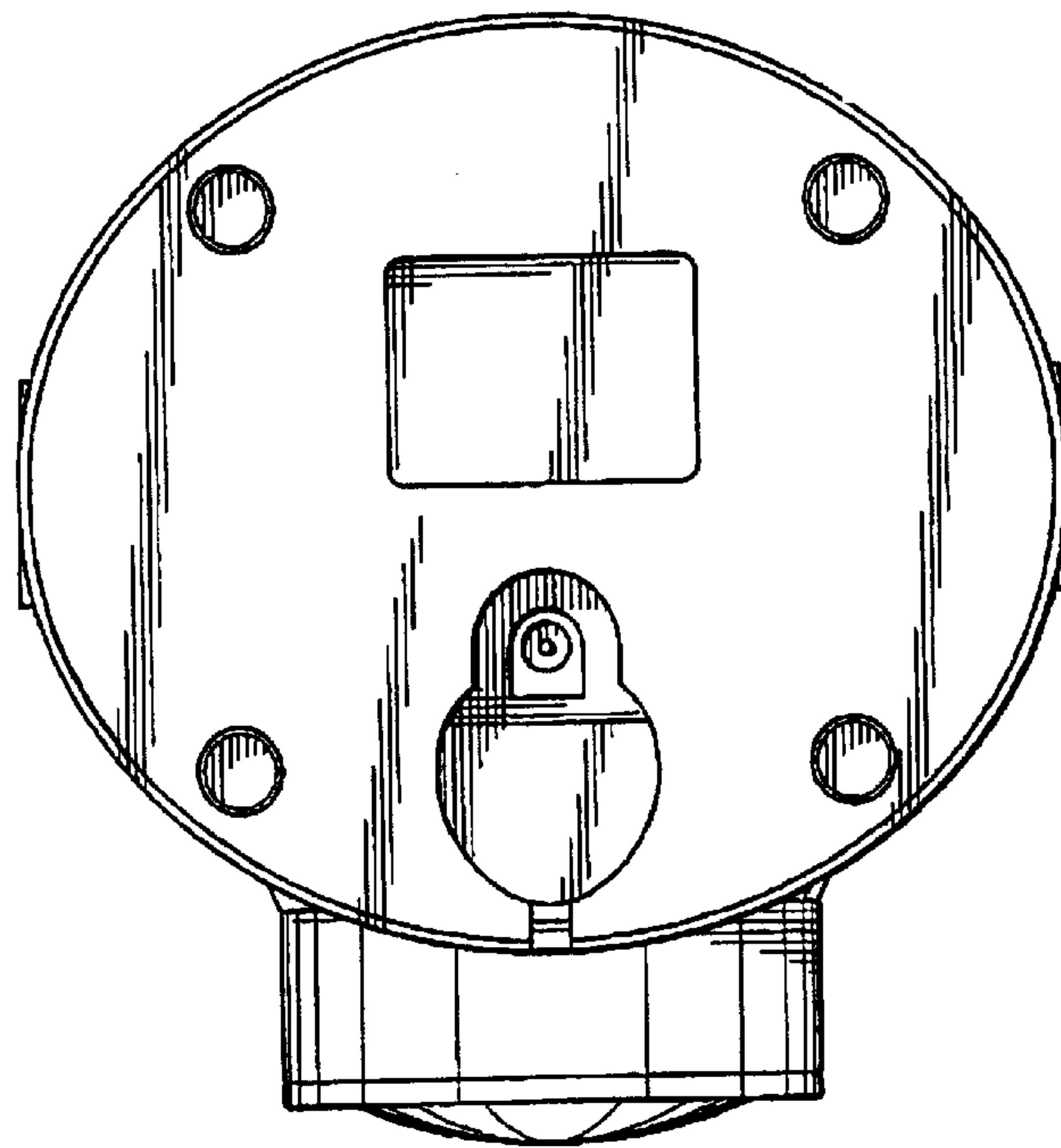


FIG. 6