



US00D442492S

(12) **United States Design Patent**  
**Krishnakumar et al.**

(10) **Patent No.:** **US D442,492 S**  
(45) **Date of Patent:** **\*\* May 22, 2001**

(54) **BOTTLE**

(75) Inventors: **Suppayan M. Krishnakumar**, Nashua, NH (US); **Jeff Lichtman**, Evanston; **Jeffrey L. Pattee**, Palatine, both of IL (US); **David P. Piccioli**, Auburn, NH (US); **Christopher D. Rowe**, Barrington; **Tia-Maria Smith**, Chicago, both of IL (US)

(73) Assignee: **Stokely-Van Camp, Inc.**, Chicago, IL (US)

(\*\*) Term: **14 Years**

(21) Appl. No.: **29/078,534**

(22) Filed: **Feb. 9, 1998**

(51) **LOC (7) Cl.** ..... **09-01**

(52) **U.S. Cl.** ..... **D9/537**

(58) **Field of Search** ..... D9/520, 537, 540, D9/550, 551, 553; 215/381, 383, 384

(56) **References Cited**

**U.S. PATENT DOCUMENTS**

D. 64,152	3/1924	Sweeney .	
D. 154,563 *	7/1949	Peters .....	D9/551
D. 214,158	5/1969	Pettengill .....	D9/100
D. 218,019	7/1970	Lattraye et al. ....	D9/73
D. 235,736	7/1975	Strand et al. ....	D9/111

(List continued on next page.)

**FOREIGN PATENT DOCUMENTS**

5553	2/1993 (PH) .....	D9/502
------	-------------------	--------

**OTHER PUBLICATIONS**

October 11, 1997, pictures of bottles (Exhibit A).  
October 11, 1997, pictures of bottles (Exhibit B).

*Primary Examiner*—Dominic Simone  
(74) *Attorney, Agent, or Firm*—Lars S. Johnson

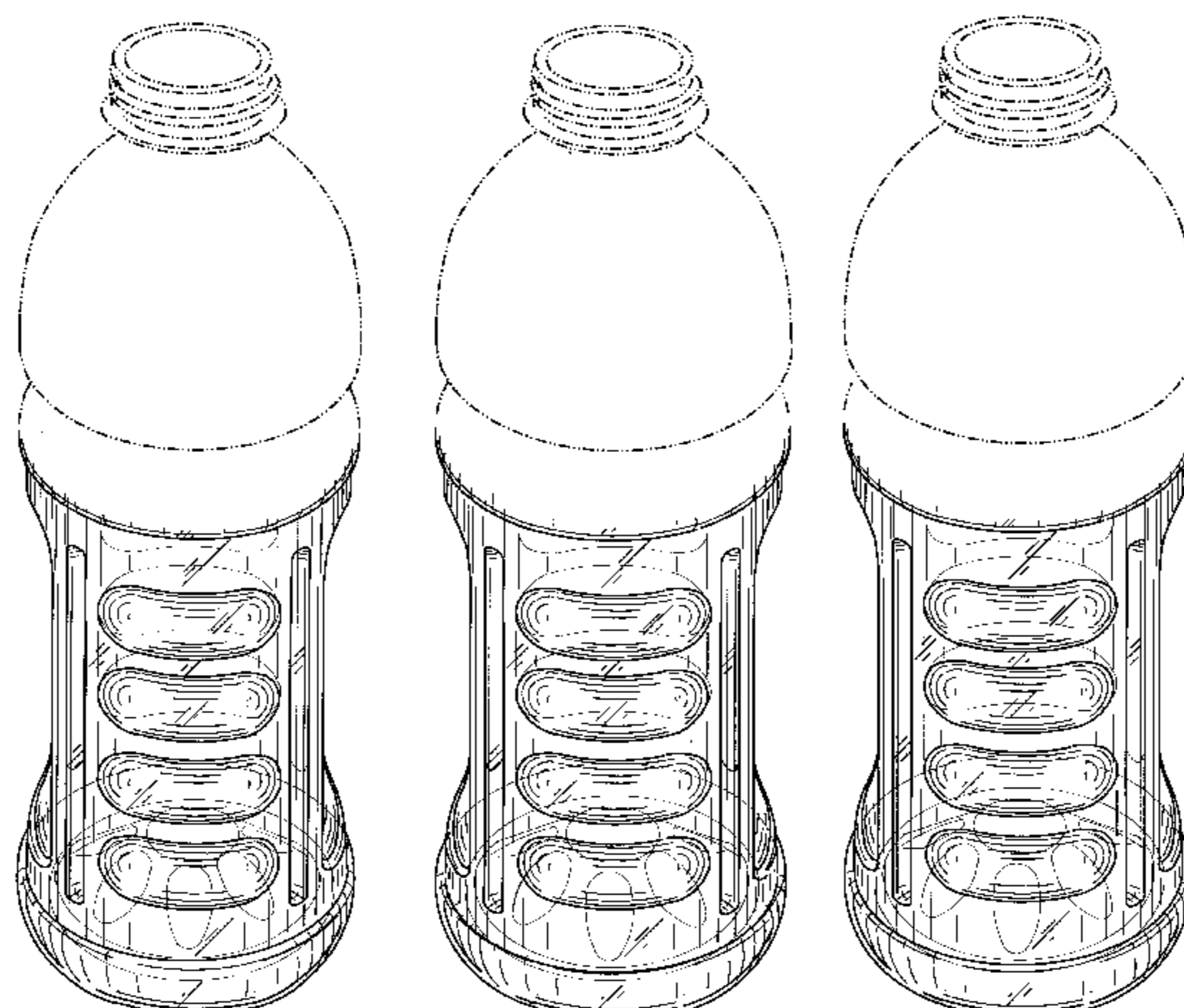
(57) **CLAIM**

The ornamental design for a bottle, as shown and described.

**DESCRIPTION**

FIG. 1 is a perspective view of a bottle showing our new design;  
 FIG. 2 is a front elevational view thereof, the rear being identical;  
 FIG. 3 is a side elevational view thereof, the opposites side being identical;  
 FIG. 4 is a bottom plan view thereof;  
 FIG. 5 is a perspective view of a second embodiment of FIG. 1;  
 FIG. 6 is a front elevational view of FIG. 5, the rear being identical;  
 FIG. 7 is a side elevational view of FIG. 5, the opposite side being identical;  
 FIG. 8 is a bottom plan view of FIG. 5;  
 FIG. 9 is a perspective view of a third embodiment of FIG. 1;  
 FIG. 10 is a front elevational view of FIG. 9, the rear being identical;  
 FIG. 11 is a side elevational view of FIG. 9, the opposite side being identical;  
 FIG. 12 is a bottom plan view of FIG. 9;  
 FIG. 13 is a perspective view of a fourth embodiment of FIG. 1;  
 FIG. 14 is a front elevational view of FIG. 13, the rear being identical;  
 FIG. 15 is a side elevational view of FIG. 13, the opposite side being identical;  
 FIG. 16 is a bottom plan view of FIG. 13;  
 FIG. 17 is a perspective view of a fifth embodiment of FIG. 1;  
 FIG. 18 is a front elevational view of FIG. 17, the rear being identical;  
 FIG. 19 is a side elevational view of FIG. 17, the opposite side being identical; and,  
 FIG. 20 is a bottom plan view of FIG. 17.  
 The broken line environmental showing is for illustrative purposes only and does not form part of the claimed design.

**1 Claim, 10 Drawing Sheets**



# US D442,492 S

Page 2

## U.S. PATENT DOCUMENTS

D. 269,500	6/1983	Bit .....	D9/350	D. 398,479	9/1998	Vultaggio et al. .	
D. 294,117	2/1988	Rogler et al. ....	D9/390	D. 401,860	12/1998	Granelli .....	D9/538
D. 294,463	3/1988	Lang .....	D9/392	4,863,046	9/1989	Collette et al. ....	215/1 C
D. 294,678	3/1988	Papa .....	D9/392	4,907,709	3/1990	Abe et al. ....	D9/553 X
D. 295,381	4/1988	Papa .....	D9/392	4,993,565	2/1991	Ota et al. .	
D. 300,805 *	4/1989	Rogler et al. ....	D9/520	5,002,199	3/1991	Frahm .	
D. 306,262	2/1990	Bit .....	D9/396	5,005,716	4/1991	Eberle .....	215/1 C
D. 313,747	1/1991	Martin .		5,024,341	6/1991	Dekerle .....	215/11.1
D. 313,930	1/1991	Martin .		5,064,081	11/1991	Hayashi et al. ....	215/1 C
D. 320,154	9/1991	Alberghini et al. .		5,141,120	8/1992	Brown et al. .	
D. 334,342	3/1993	Thompson .....	D9/502	5,141,121	8/1992	Brown et al. .	
D. 335,084	4/1993	Snyder .....	D9/502	5,178,289	1/1993	Krishnakumar et al. ....	215/1 C
D. 344,457	2/1994	Prevot et al. ....	D9/537	5,178,290	1/1993	Ota et al. .	
D. 352,245	11/1994	Krishnakumar et al. ....	D9/538	5,303,833	4/1994	Hayashi et al. ....	215/1 C
D. 370,178	5/1996	Petre et al. ....	D9/520	5,385,250	1/1995	Pasquale .....	215/1 C
D. 379,224 *	5/1997	McCallister et al. ....	D9/520	5,472,105	12/1995	Krishnakumar et al. ....	215/384
D. 379,306	5/1997	Peykoff .....	D9/502	5,579,937 *	12/1996	Valyi .....	215/384
D. 382,485	8/1997	Krishnakumar et al. .		5,632,397	5/1997	Fandoux et al. ....	215/382
D. 382,807	8/1997	Silvers et al. .		5,635,229	6/1997	Ray .....	426/112
D. 394,812	6/1998	Crawford .		5,704,503	1/1998	Krishnakumar et al. ....	215/381
D. 396,413	7/1998	Duboff .....	D9/539	5,746,339	5/1998	Petre et al. ....	215/383
D. 396,640	8/1998	Conrad et al. ....	D9/502	5,758,790 *	6/1998	Ewing, Jr. ....	215/384
D. 397,297	8/1998	Yang .....	D9/523	5,836,469 *	11/1998	Zebrowski .....	215/384
D. 397,616	9/1998	Chen .		5,971,184	10/1999	Krishnakumar .....	215/384
D. 397,941	9/1998	Lauth .....	D9/502				

\* cited by examiner

FIG. 1

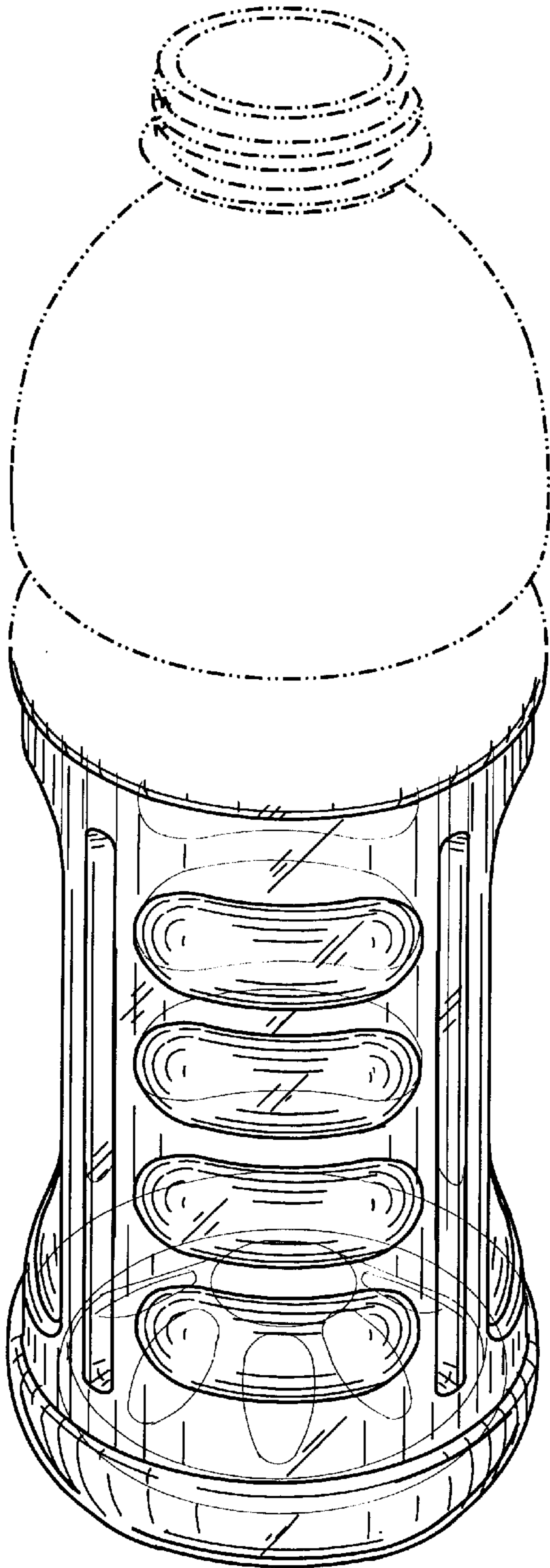


FIG. 4

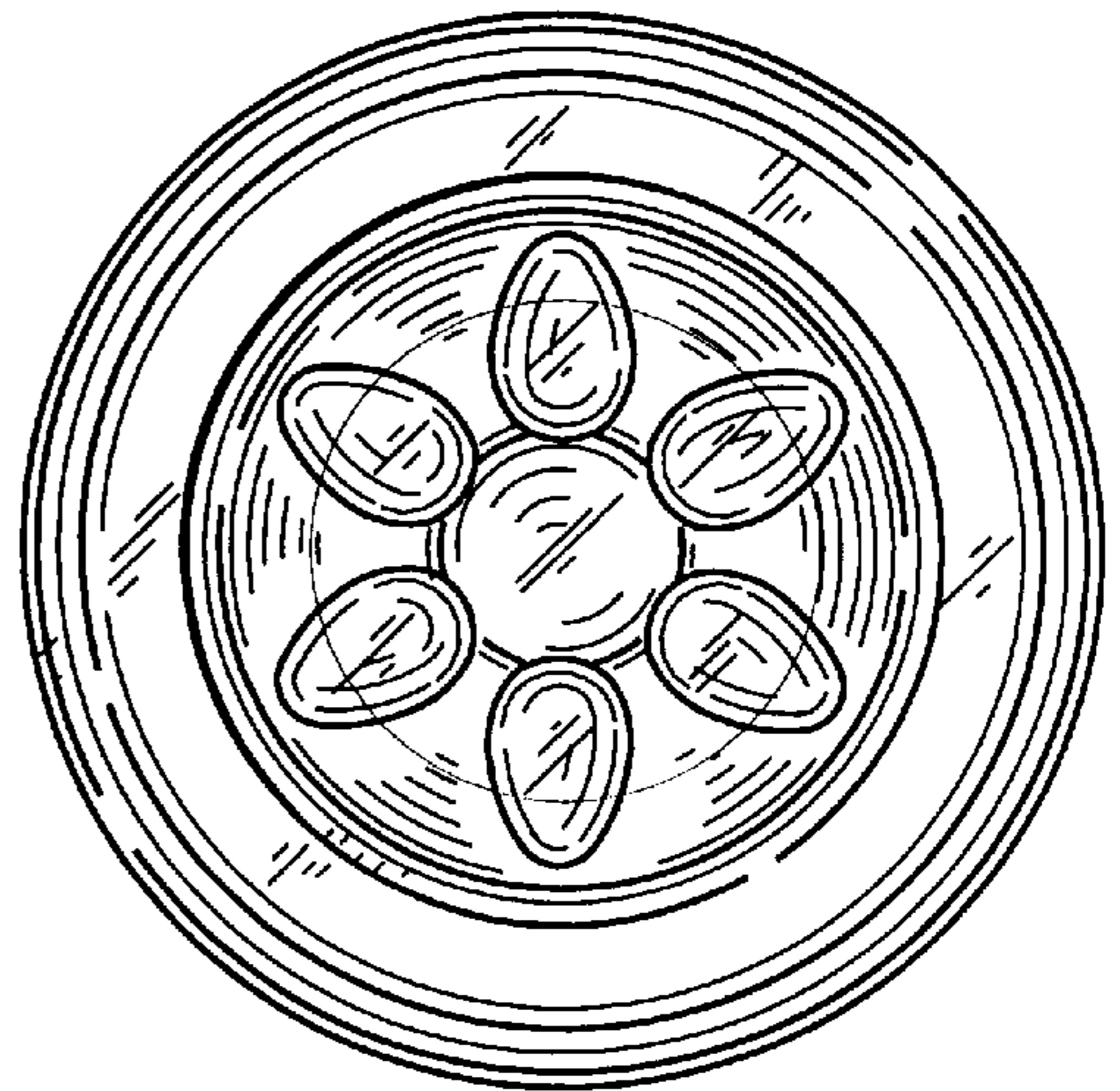




FIG. 2

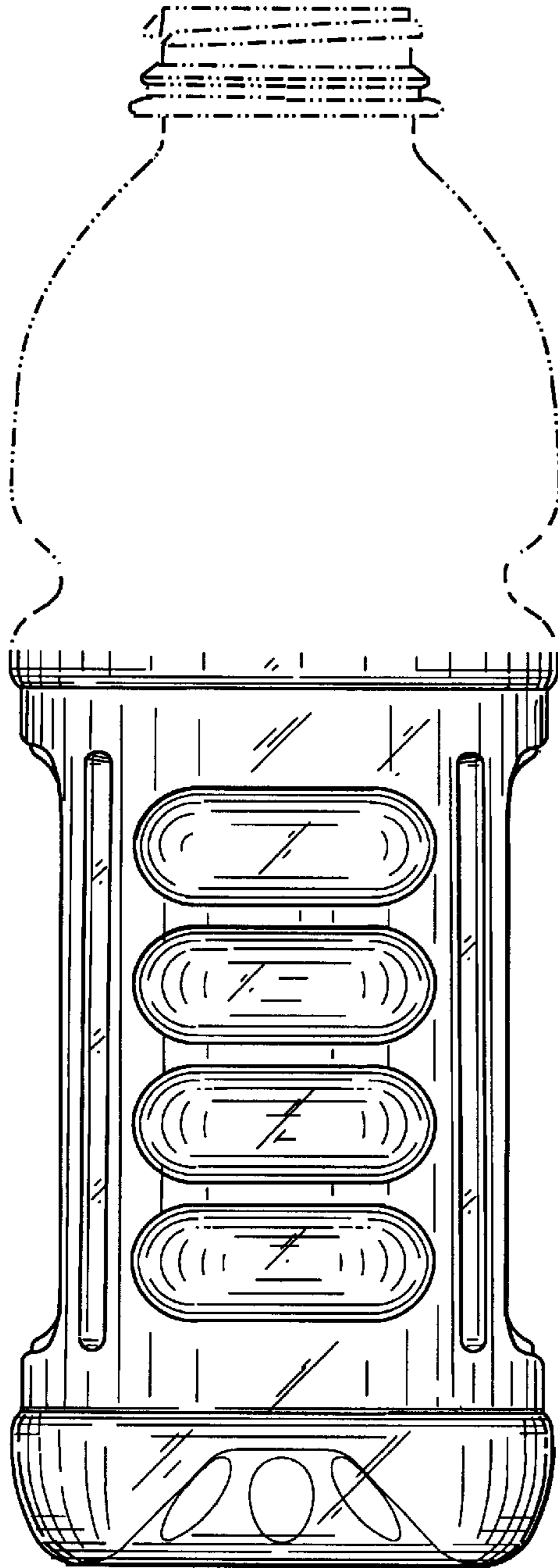


FIG. 3

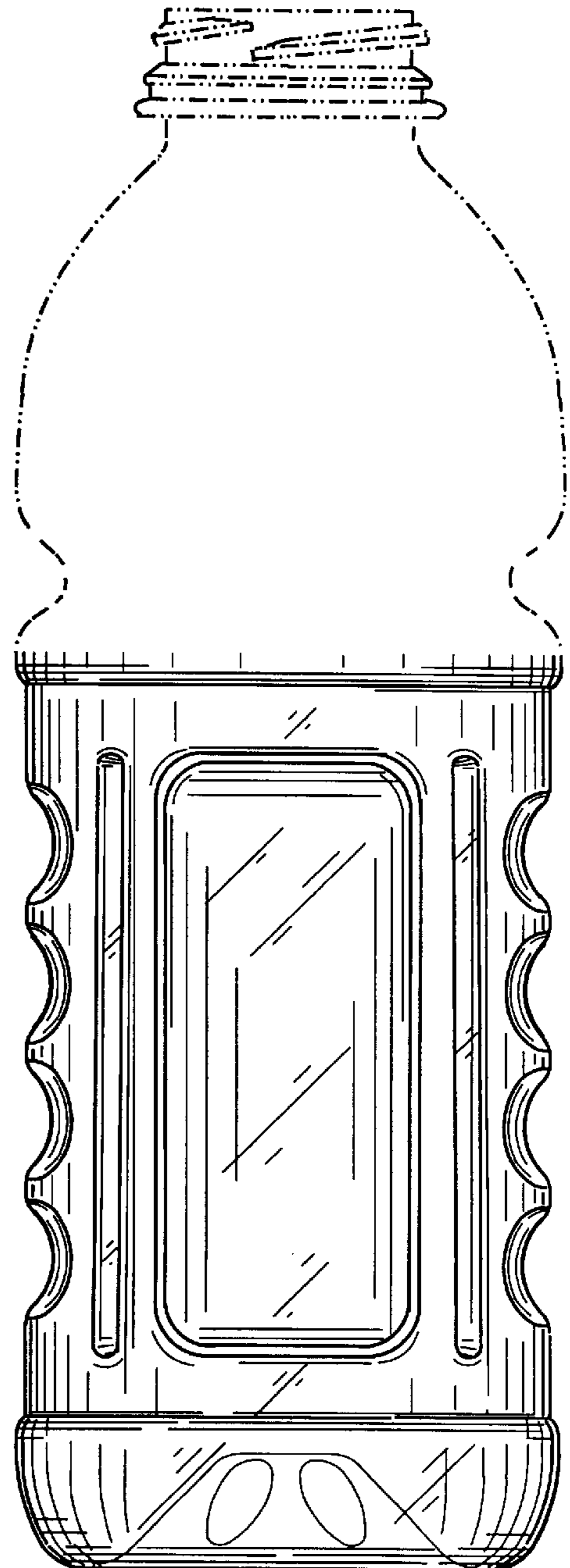


FIG. 5

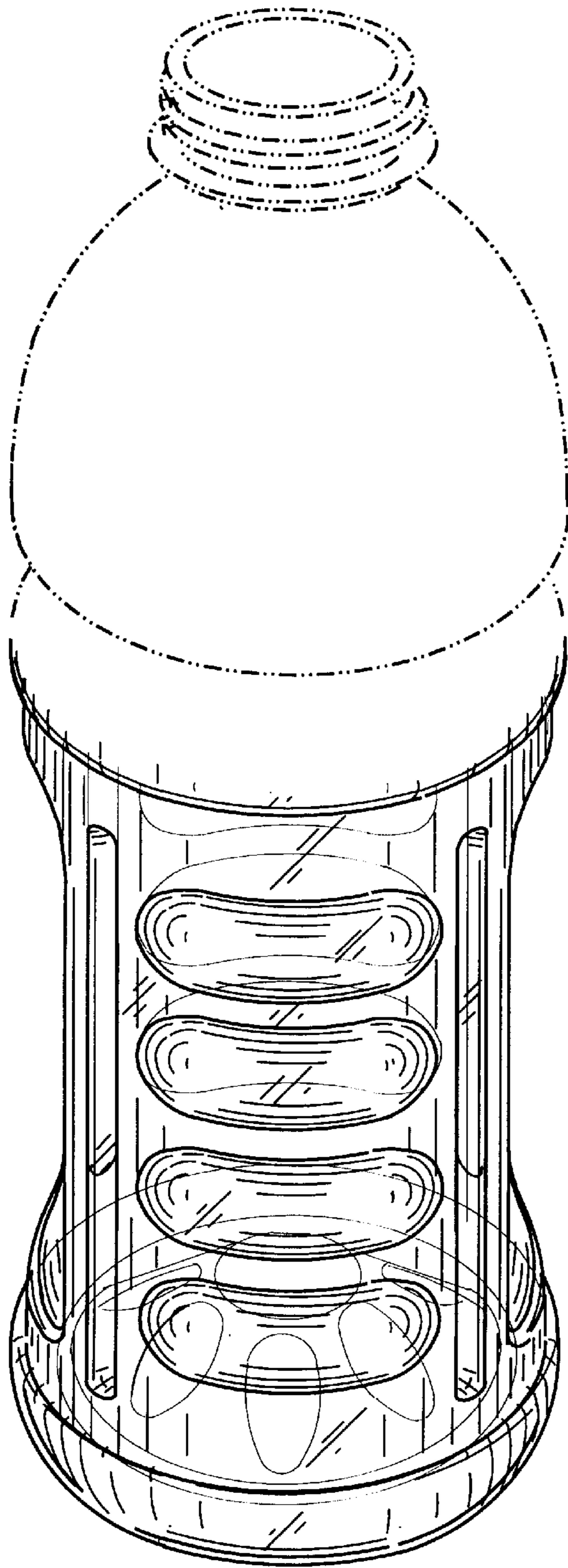


FIG. 8

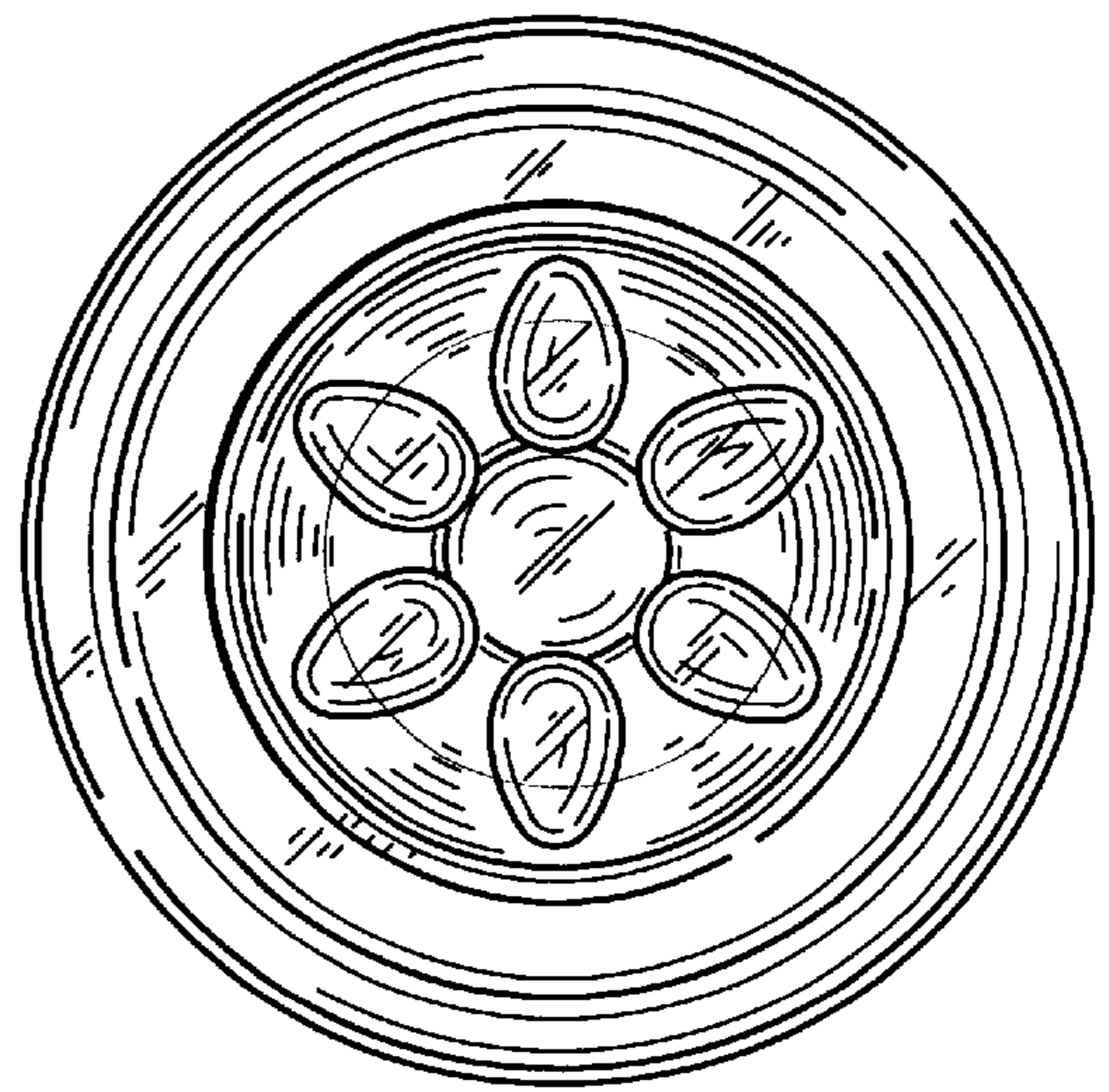


FIG. 6

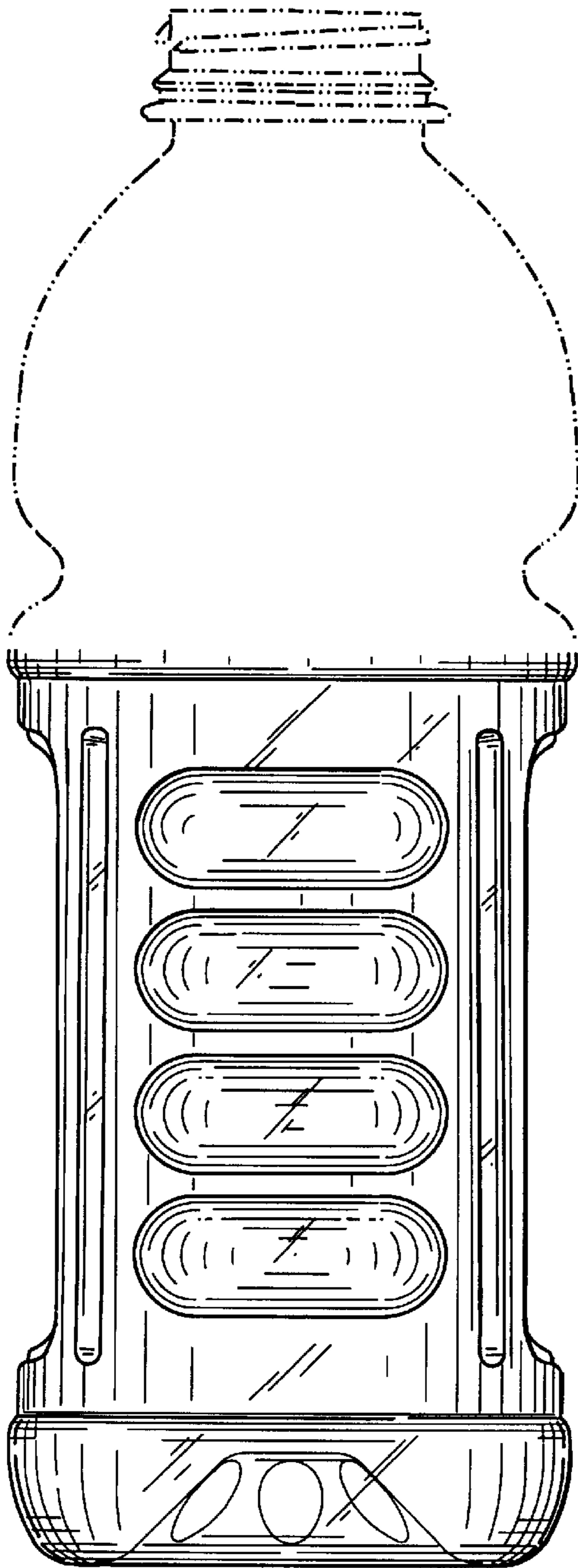


FIG. 7

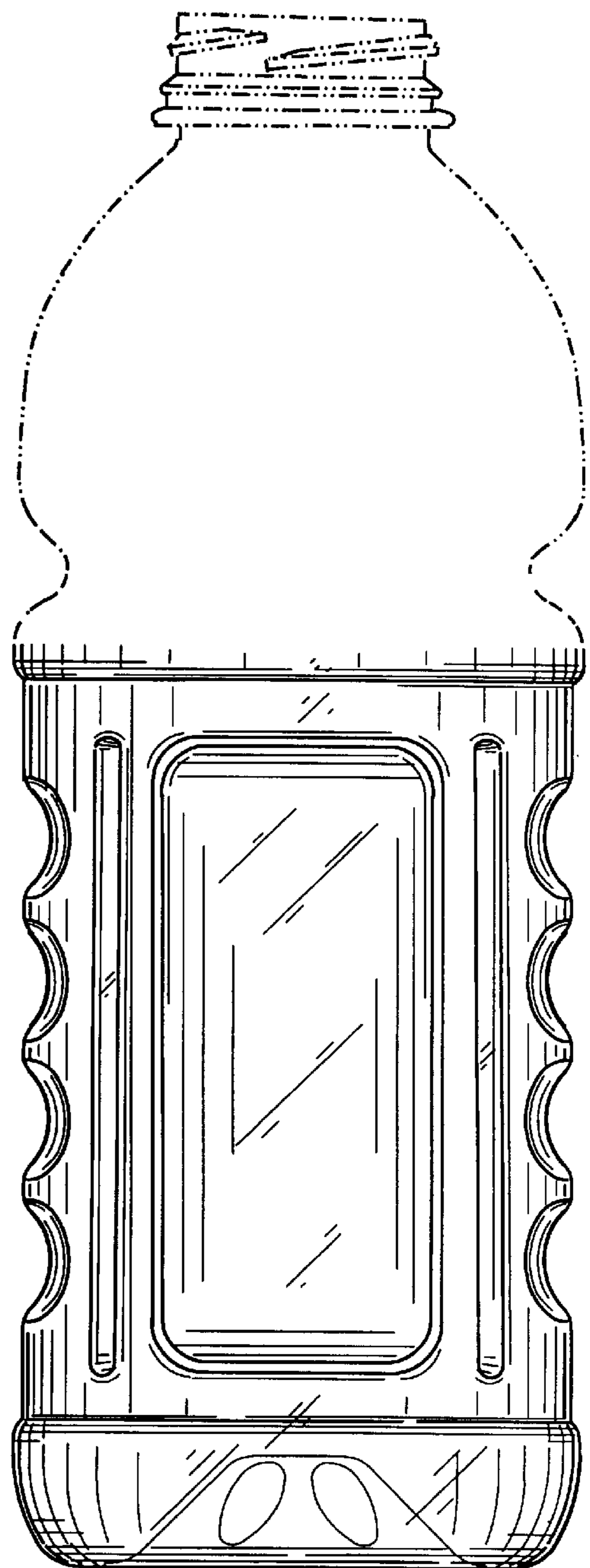


FIG. 9

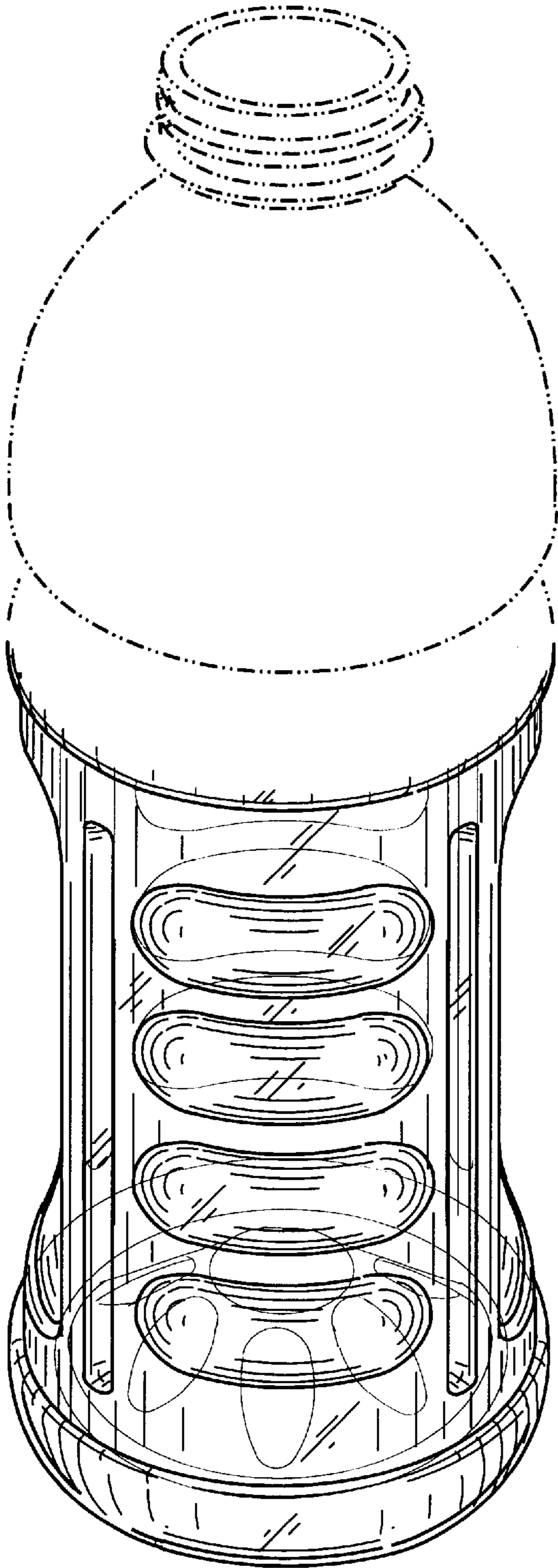


FIG. 12

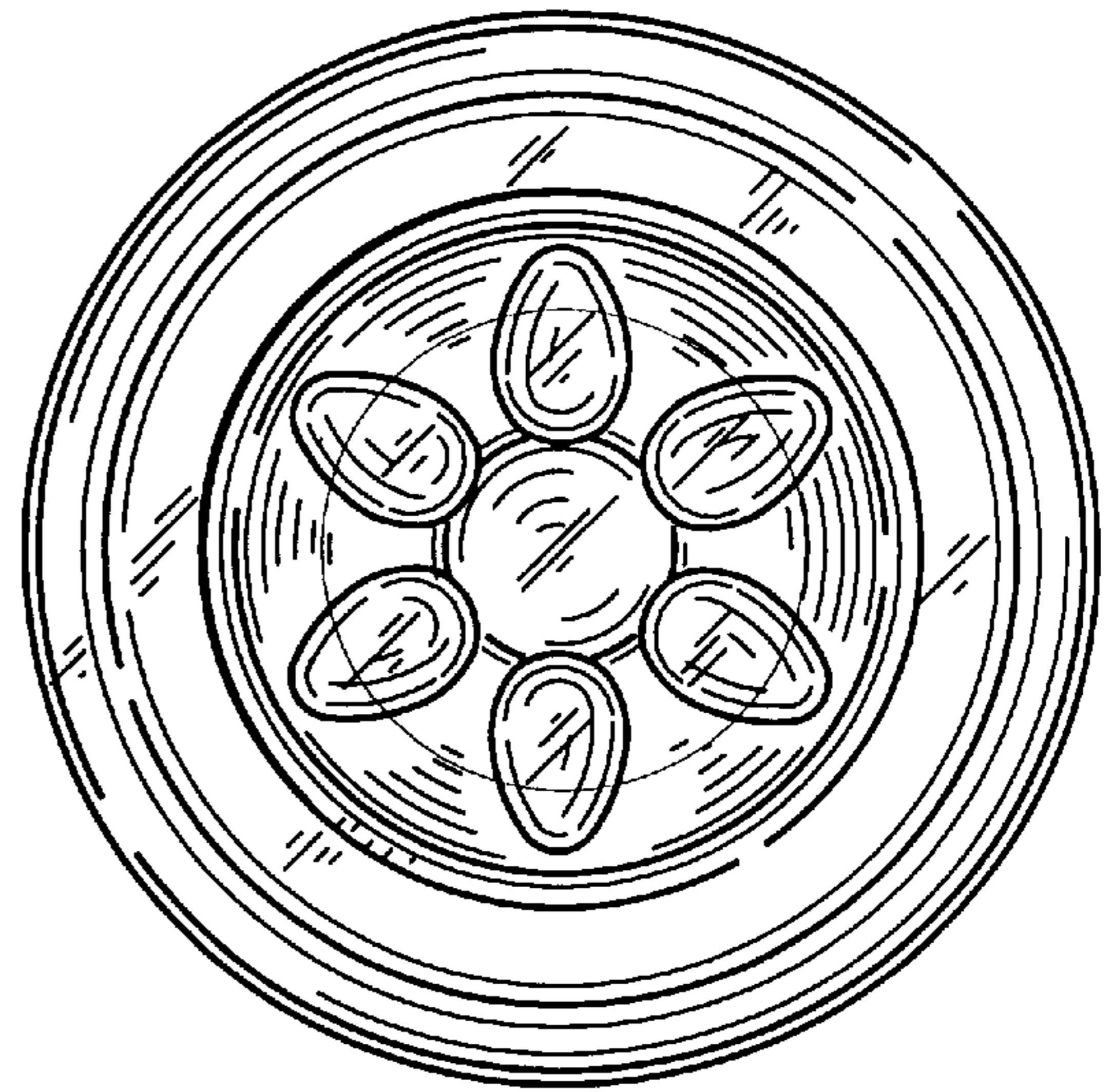




FIG. 10

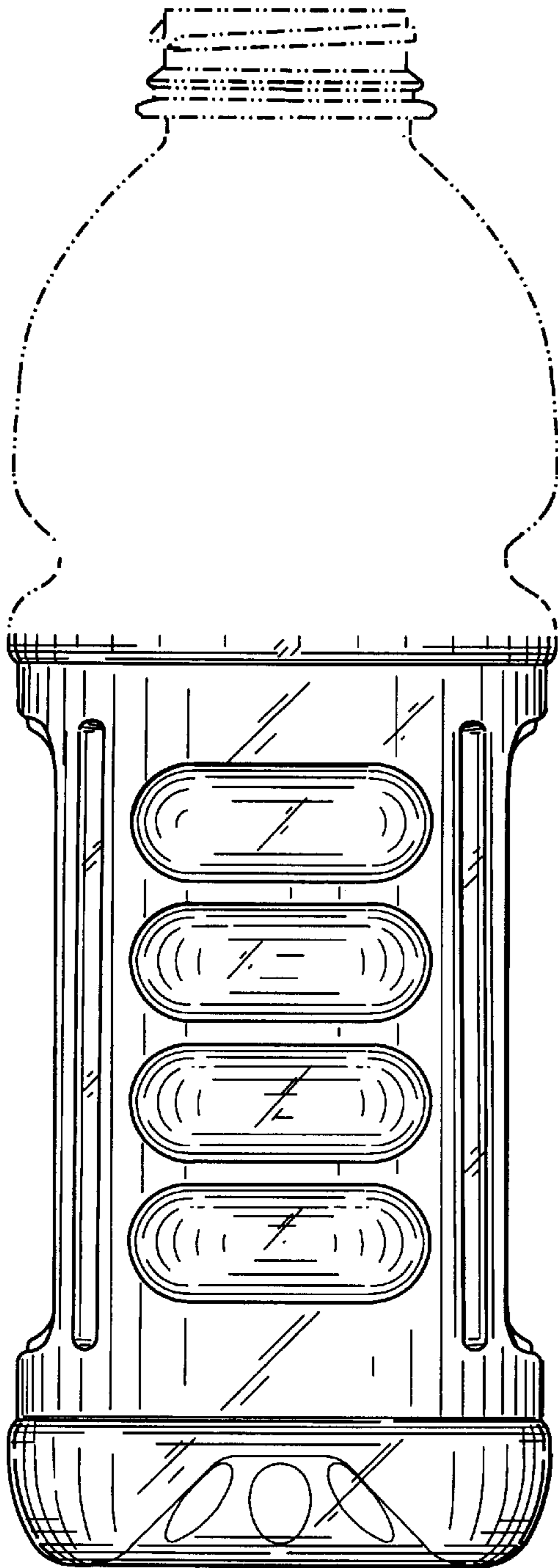


FIG. 11

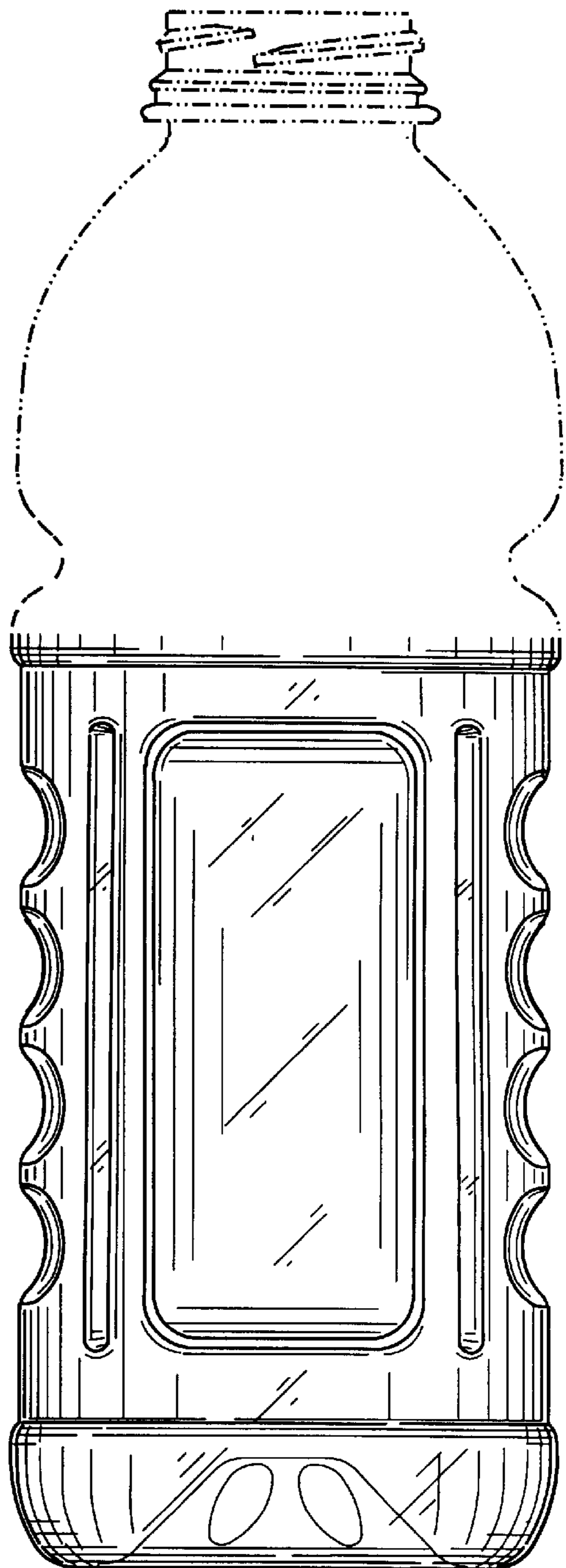




FIG. 13

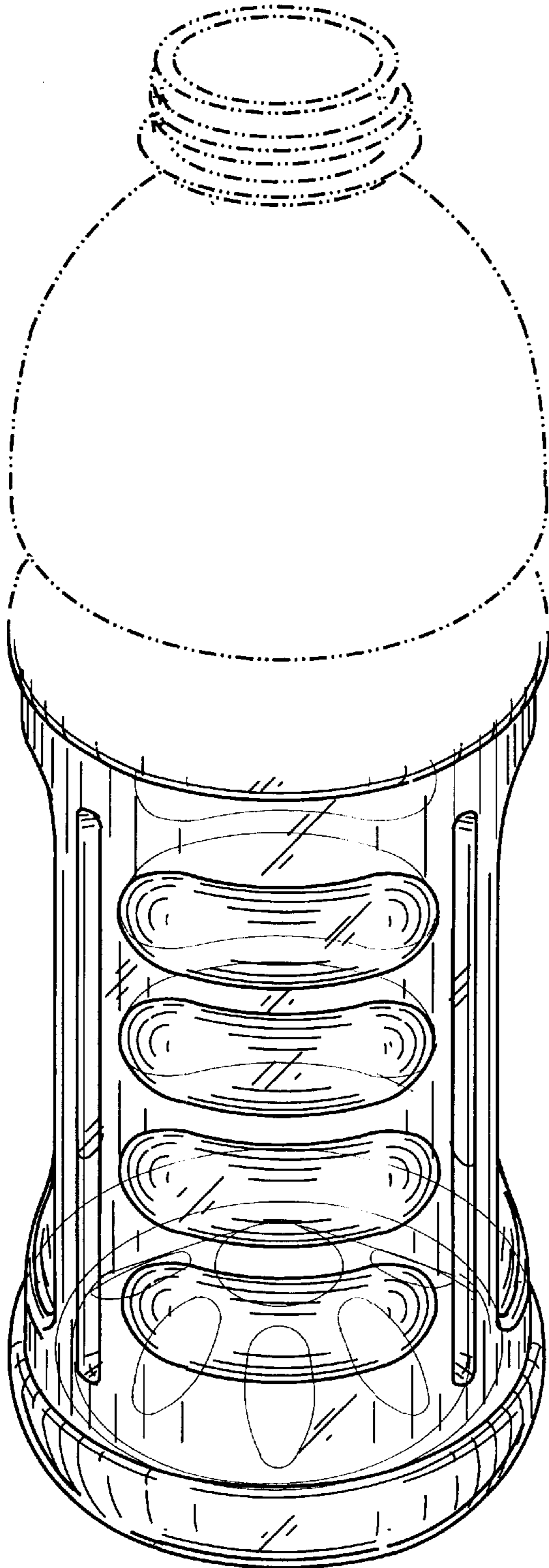


FIG. 16

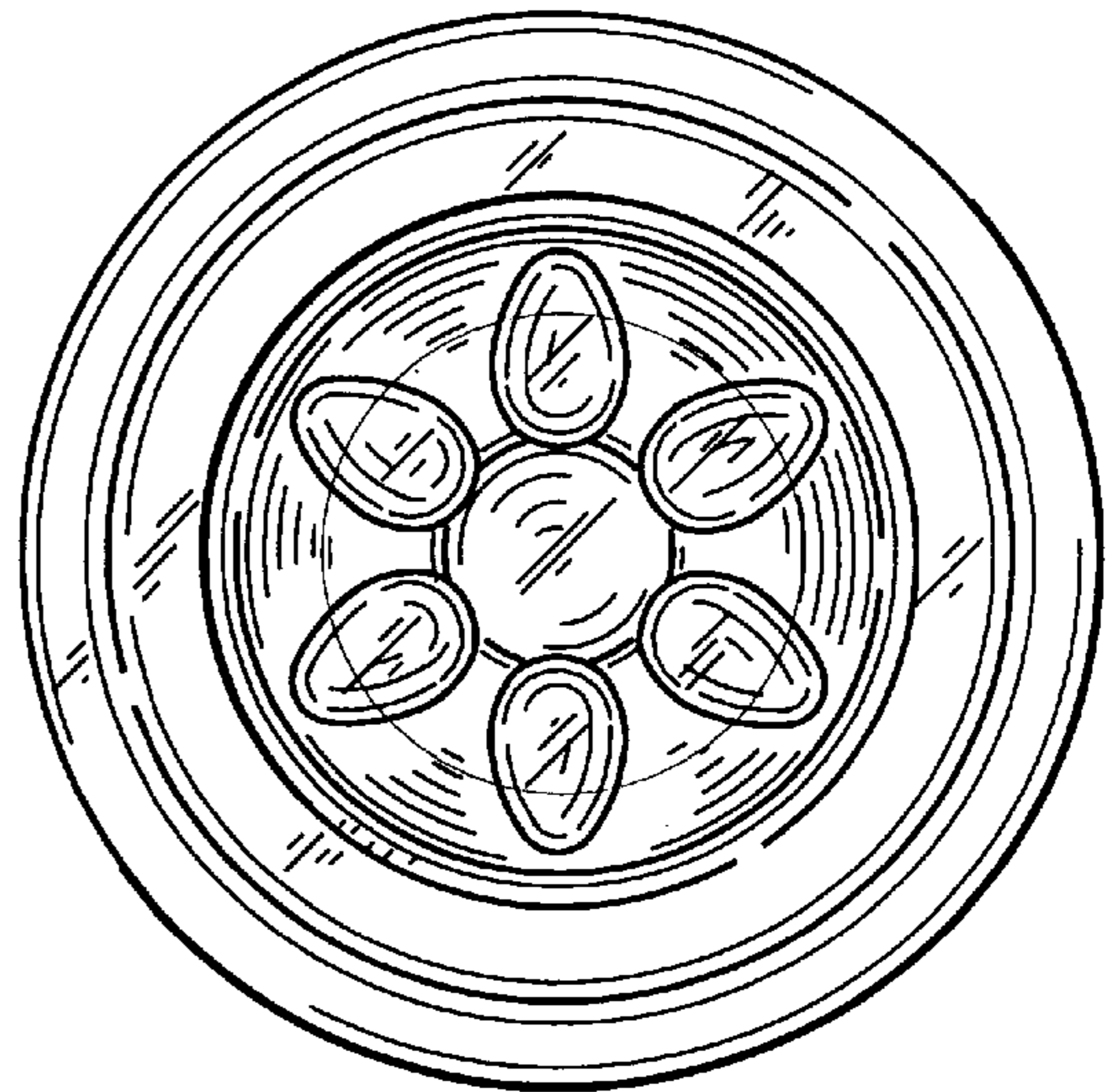


FIG. 14

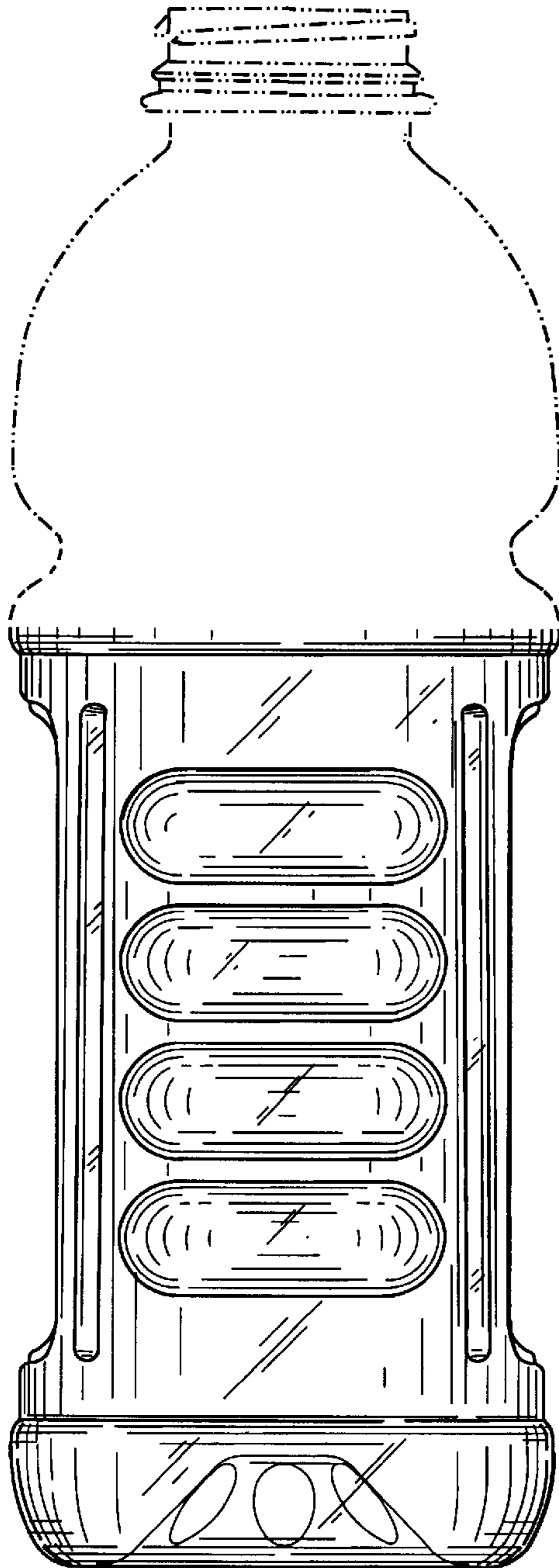


FIG. 15

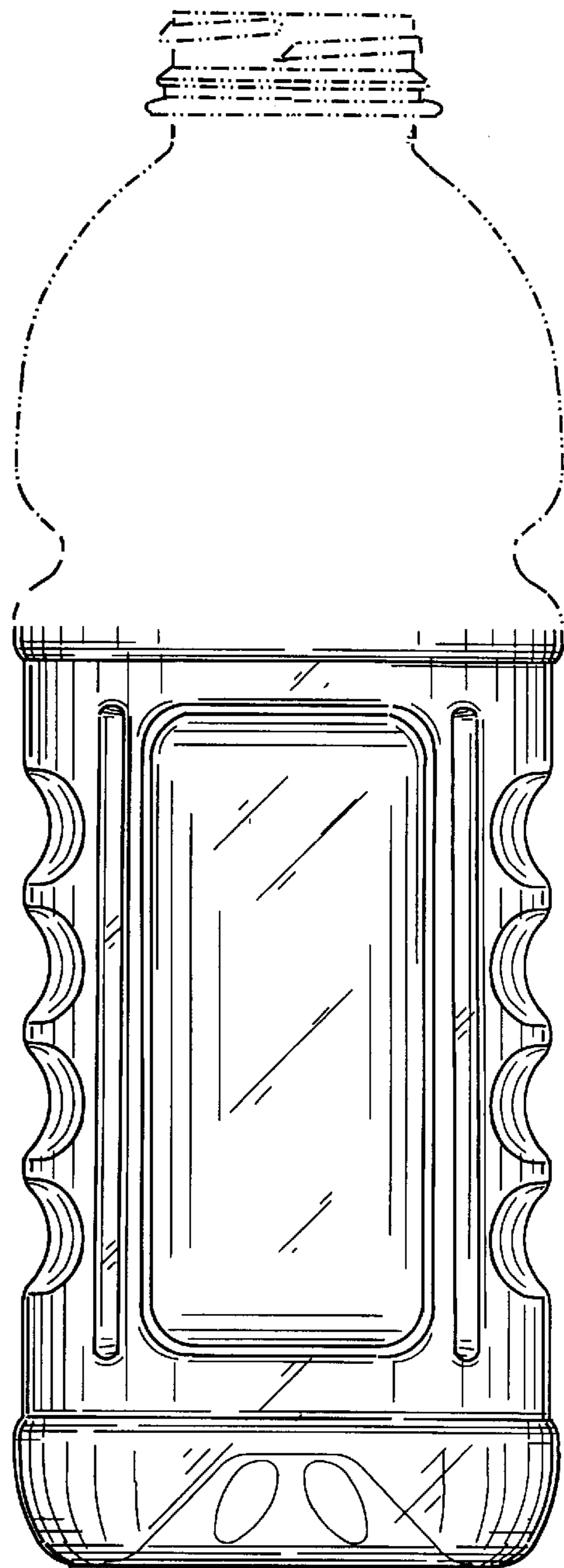


FIG. 17

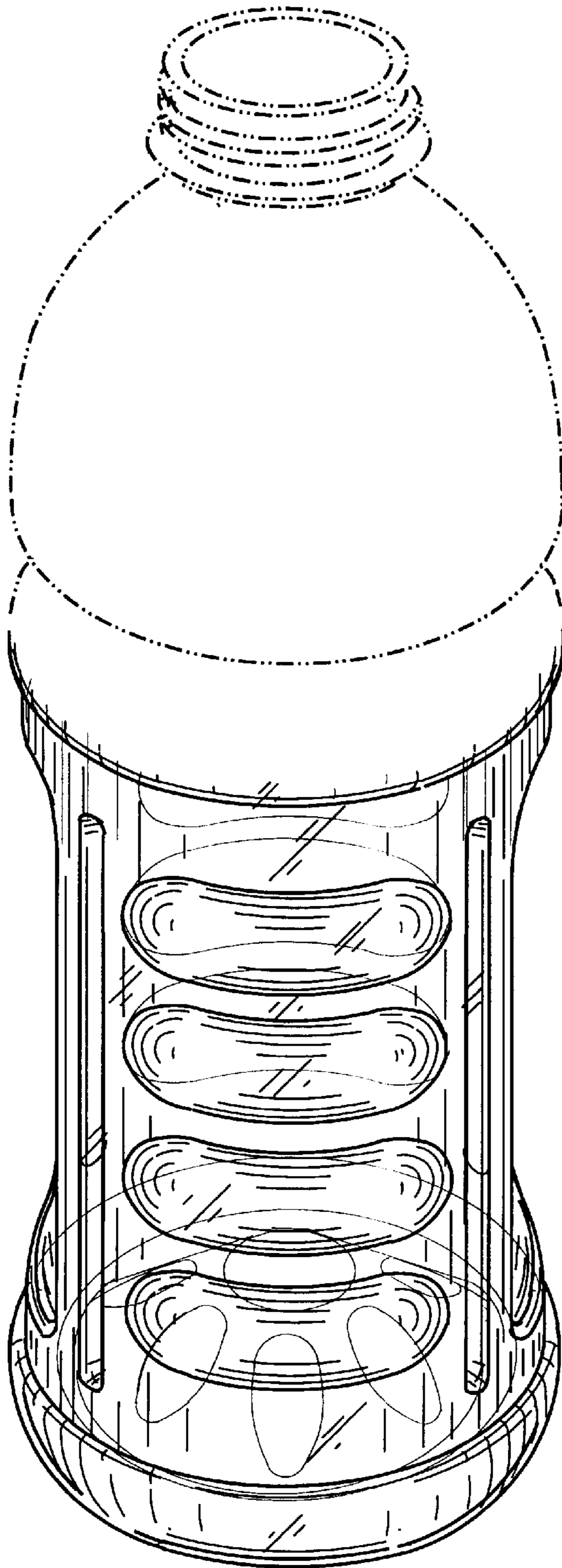


FIG. 20

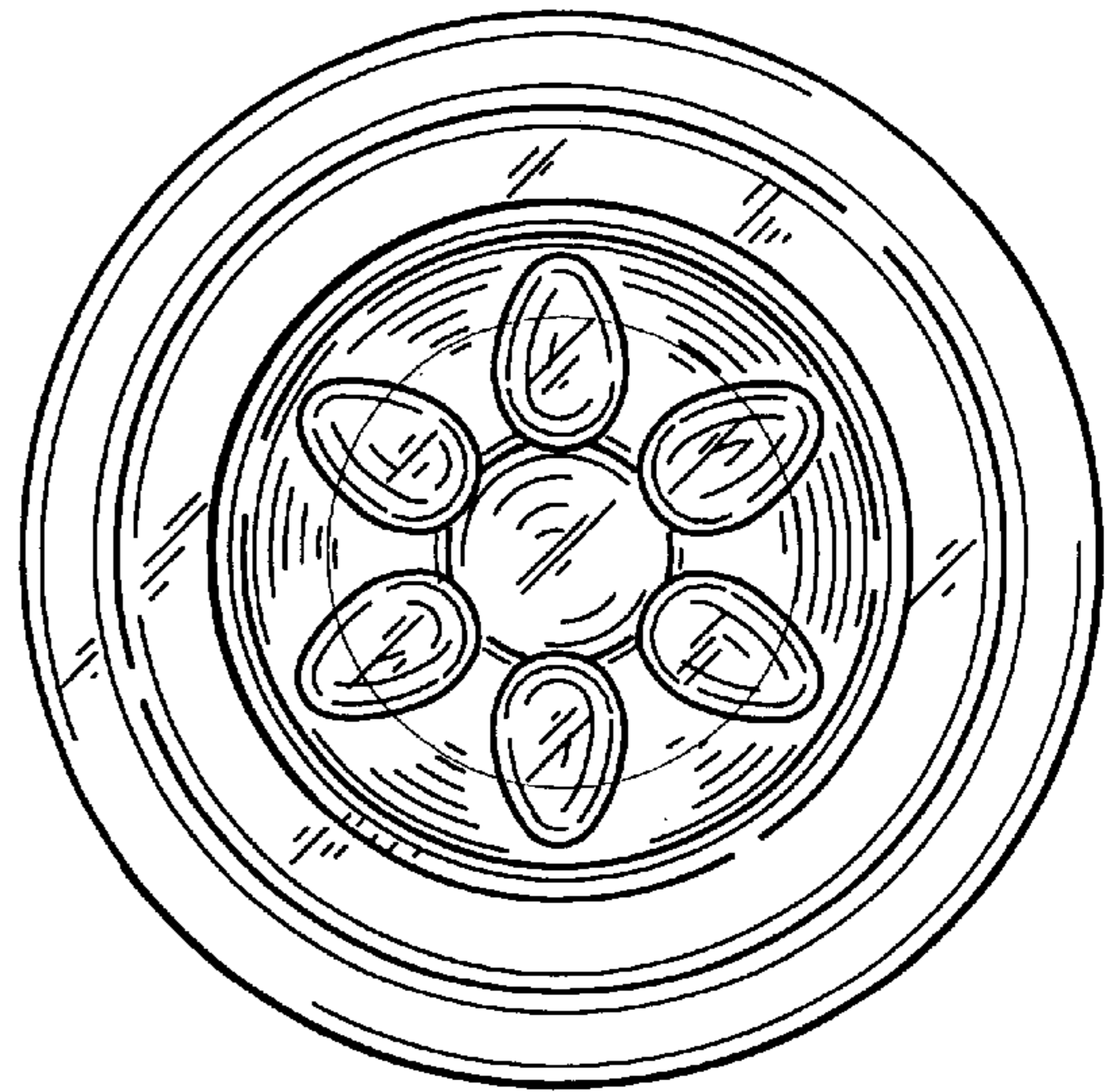




FIG. 18

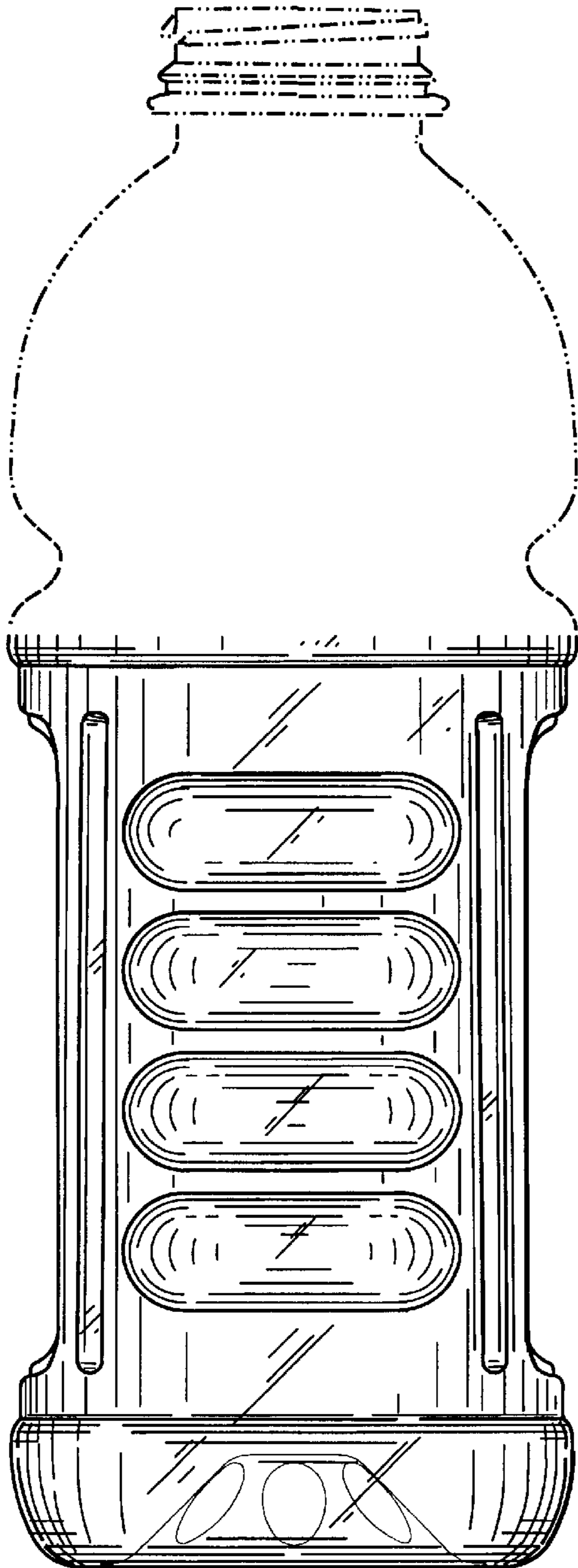


FIG. 19

