



US00D442486S

(12) **United States Design Patent**
Hoffman et al.

(10) **Patent No.:** **US D442,486 S**

(45) **Date of Patent:** **** May 22, 2001**

(54) **CONTAINER**

(75) Inventors: **Ronald Hoffman; Roger P. Hoffman,**
both of Green Bay, WI (US)

(73) Assignee: **Waterhill LLC, Atlanta, GA (US)**

(**) Term: **14 Years**

(21) Appl. No.: **29/115,302**

(22) Filed: **Dec. 10, 1999**

(51) **LOC (7) Cl.** **09-03**

(52) **U.S. Cl.** **D9/432; D9/346**

(58) **Field of Search** D9/341, 344, 345,
D9/346, 414, 415, 416, 418, 430-433, 499;
229/117, 117.01, 117.13, 117.16, 193, 109-110,
117.02, 103.2

(56) **References Cited**

U.S. PATENT DOCUMENTS

- D. 372,861 * 8/1996 Hoell et al. D9/418
- D. 395,823 * 7/1998 Durand D9/430
- D. 396,805 * 8/1998 Broyles D9/432
- 3,790,066 * 2/1974 Malinowski 229/117.13

- 3,908,890 * 9/1975 Baker 229/193
- 4,109,849 * 8/1978 Wood 229/117.14
- 5,147,271 * 9/1992 Bacques et al. 493/176
- 5,249,681 * 10/1993 Miller 206/427
- 5,931,292 * 8/1999 Focke et al. 206/264

* cited by examiner

Primary Examiner—Ted Shooman

Assistant Examiner—Carol Rademaker

(74) *Attorney, Agent, or Firm*—Philip M. Weiss; Weiss & Weiss PC

(57) **CLAIM**

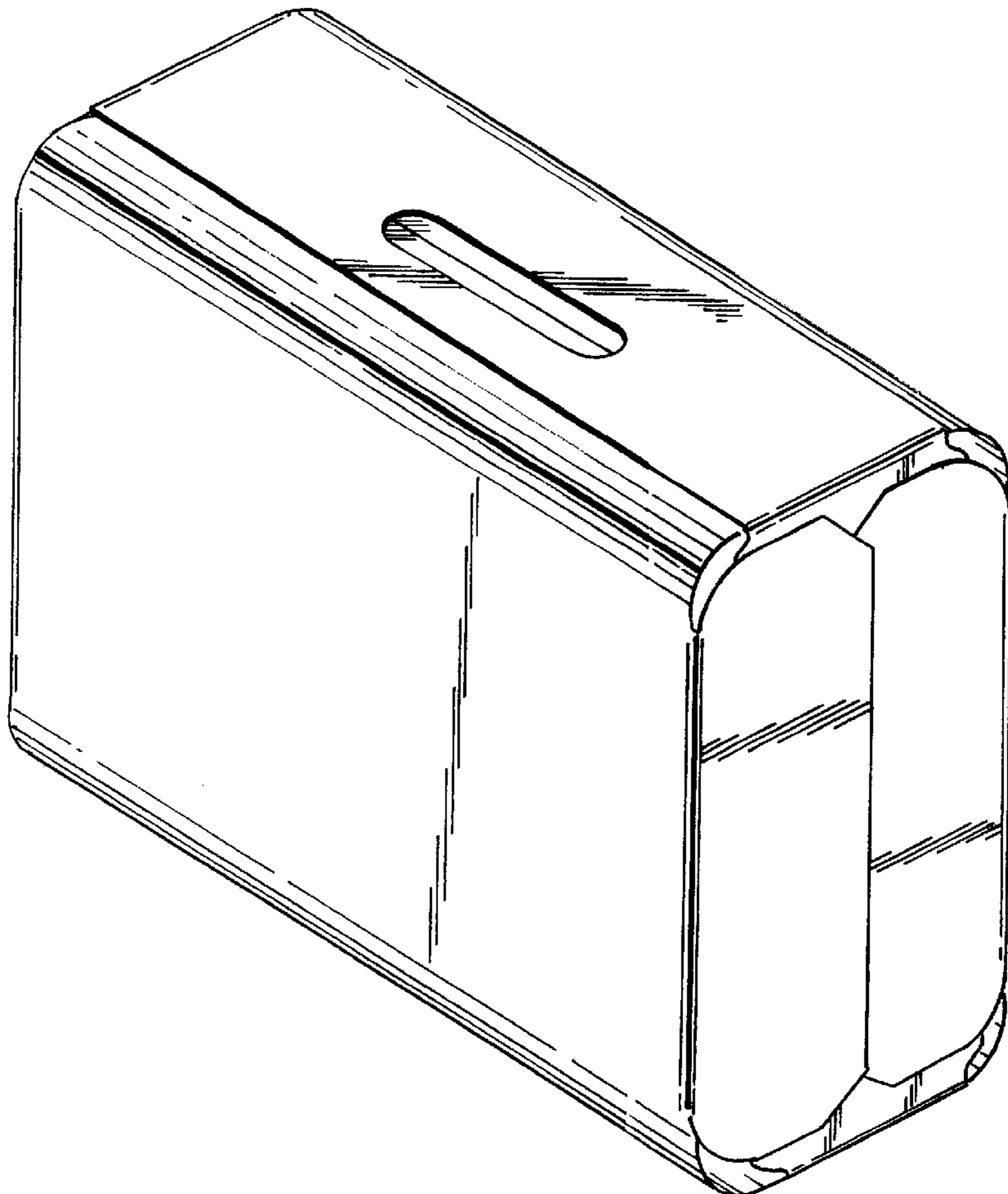
The ornamental design for a container, as shown and described.

DESCRIPTION

FIG. 1 is a top view of a container showing my new design; FIG. 2 is a side view thereof; FIG. 3 is an end view thereof; and, FIG. 4 is an isometric view thereof.

The surface(s) or portion(s) of the article not shown in the drawing or described in the specification form(s) no part of the claimed design.

1 Claim, 2 Drawing Sheets



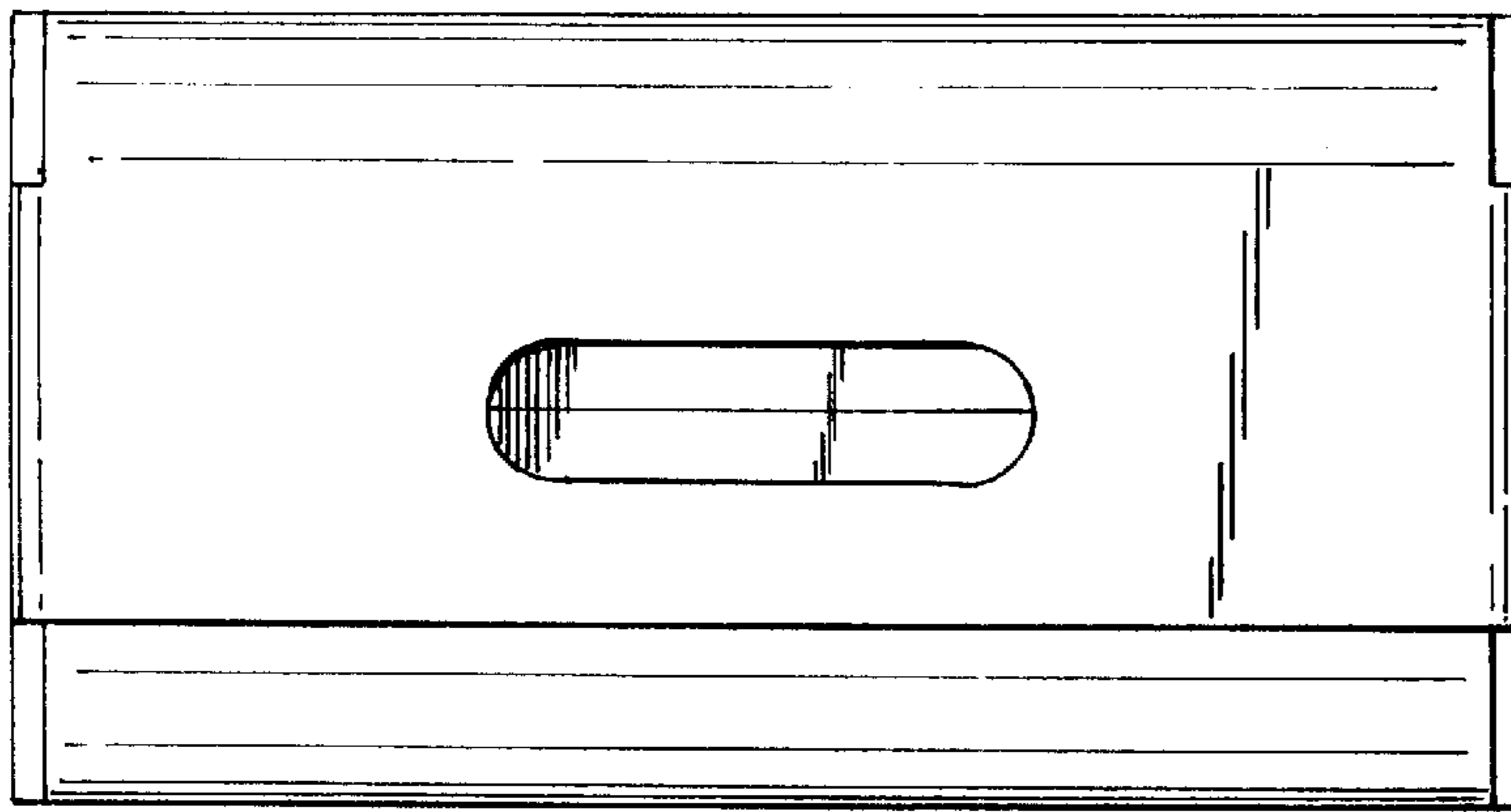


Fig. 1

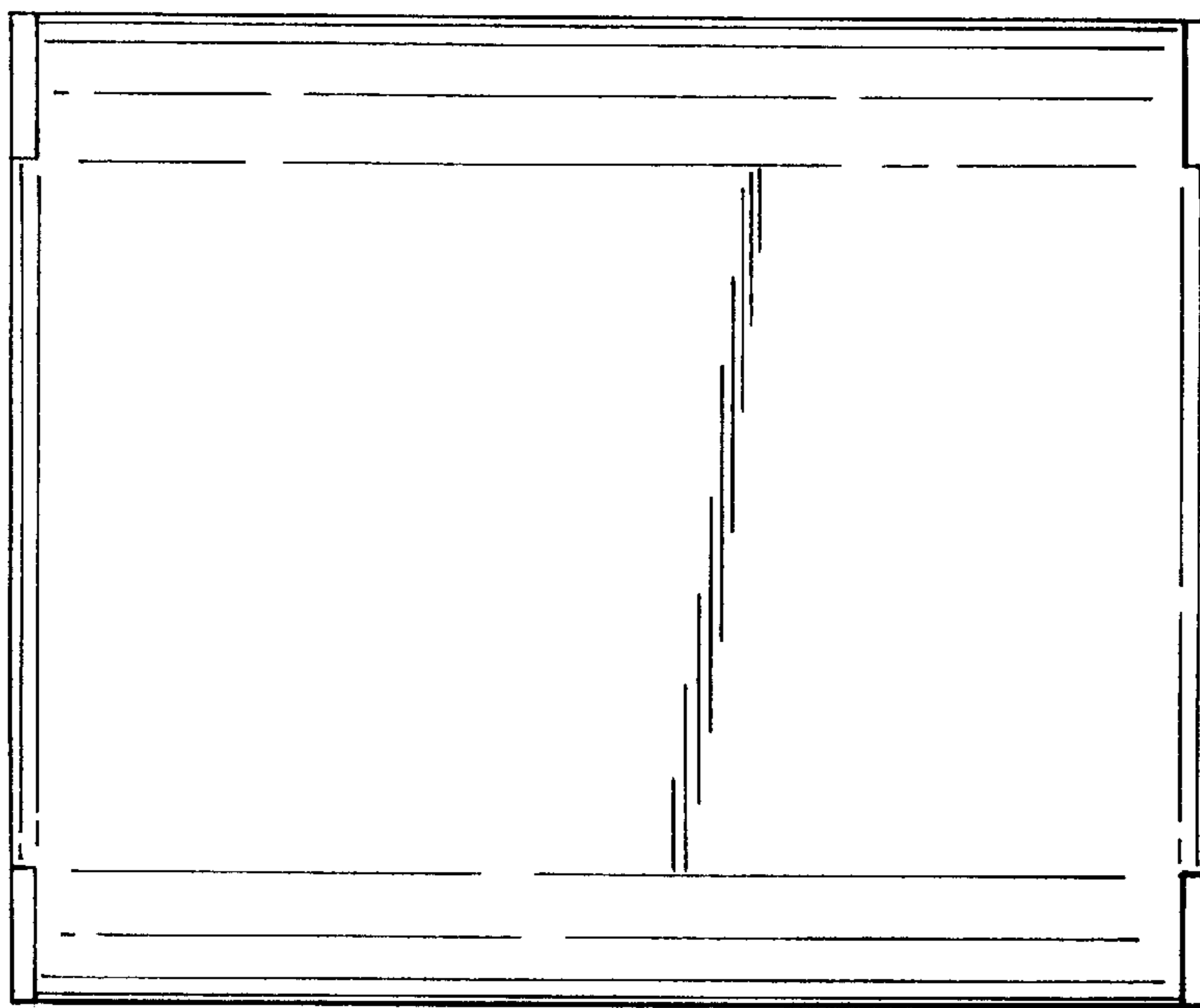


Fig. 2

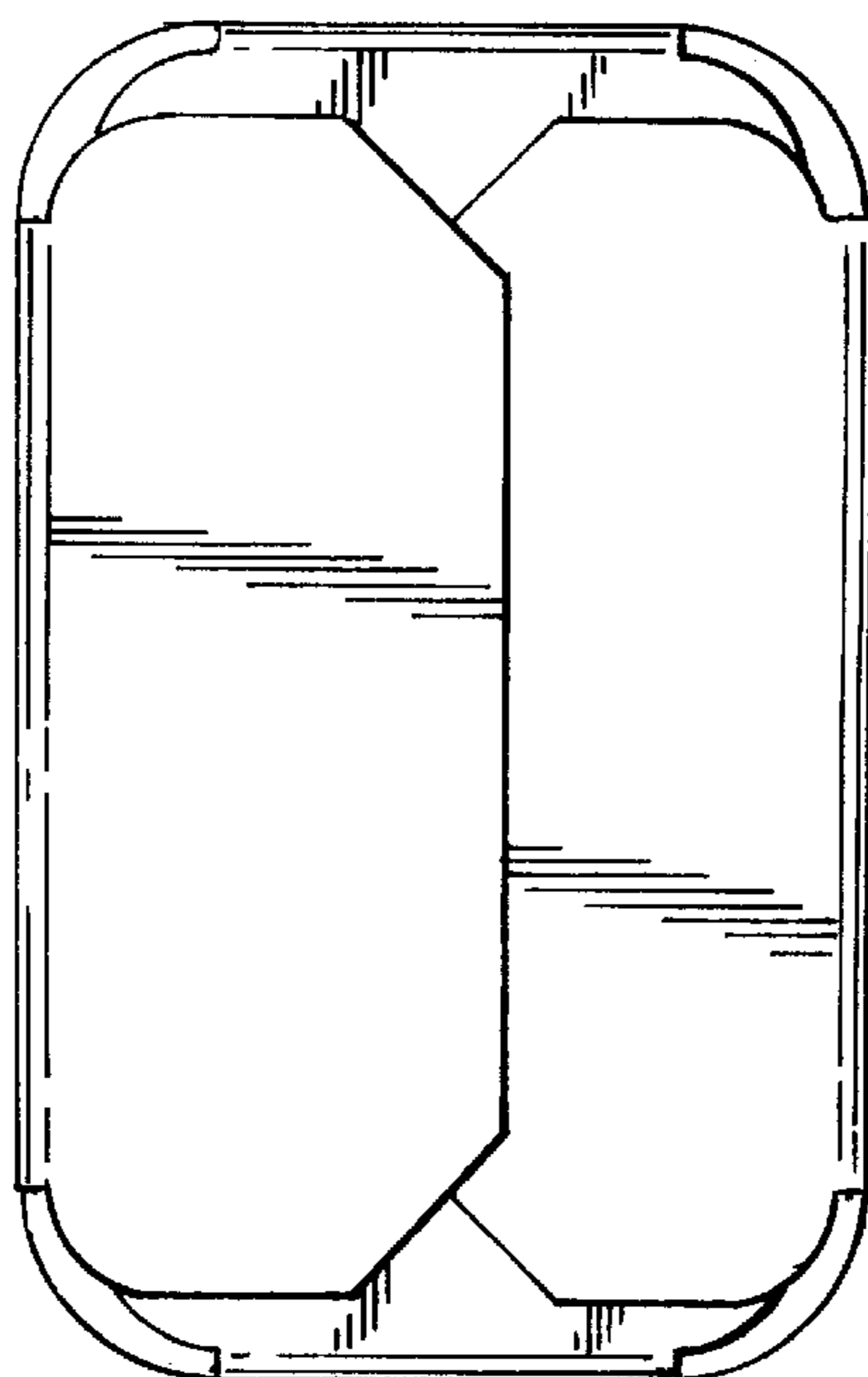


Fig. 3

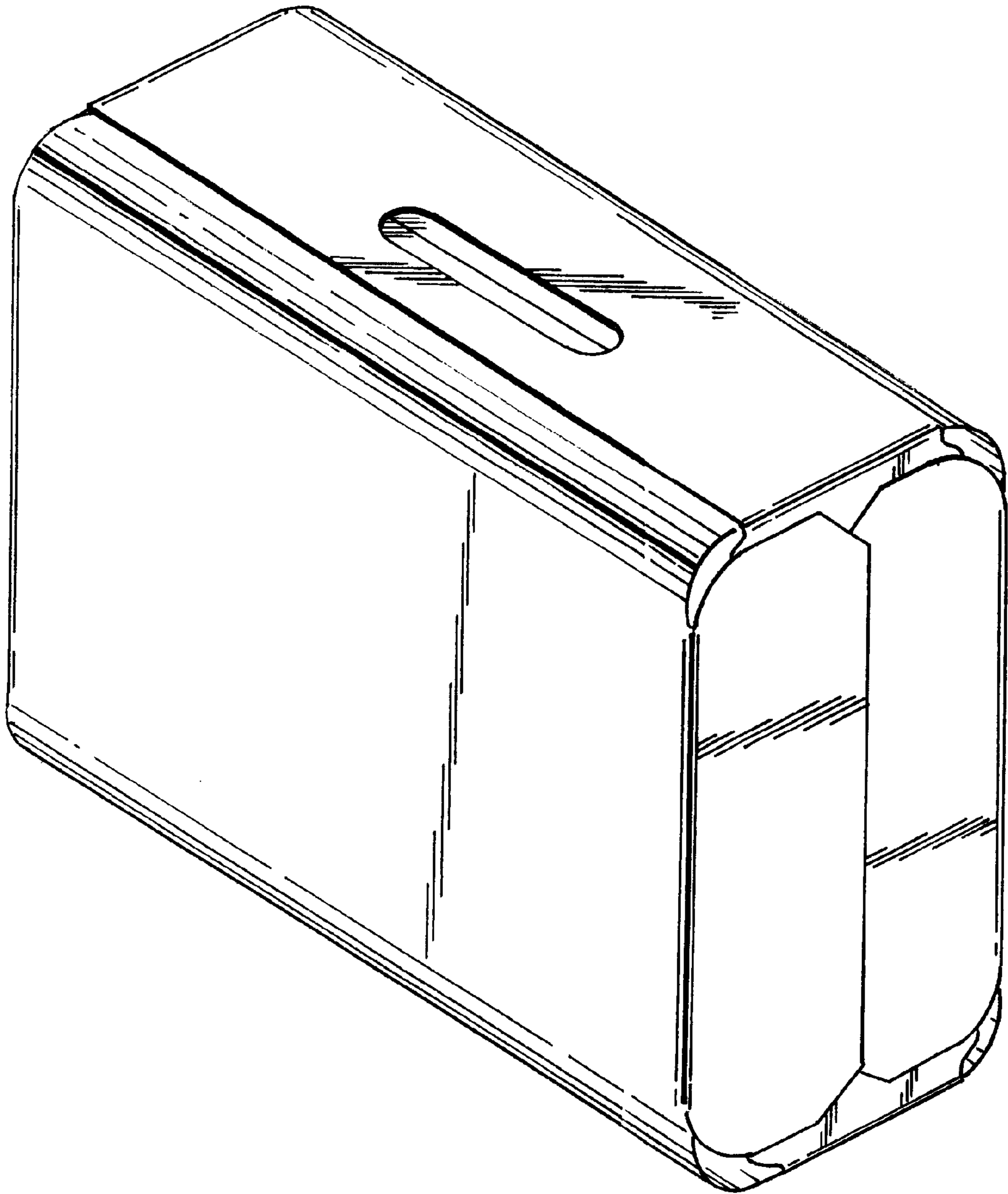


Fig. 4