



US00D442482S

(12) **United States Design Patent**
Humphrey

(10) **Patent No.:** **US D442,482 S**

(45) **Date of Patent:** **** May 22, 2001**

(54) **PACKAGE DESIGN**

(75) **Inventor:** **Neill W. Humphrey**, El Dorado Hills,
CA (US)

(73) **Assignee:** **Trade Source International**, El Dorado
Hills, CA (US)

(**) **Term:** **14 Years**

(21) **Appl. No.:** **29/133,238**

(22) **Filed:** **Nov. 21, 2000**

(51) **LOC (7) Cl.** **09-03**

(52) **U.S. Cl.** **D9/345**

(58) **Field of Search** D9/341, 345-347,
D9/414-415, 424-425, 429; 206/321, 418,
305, 471, 776

(56) **References Cited**

U.S. PATENT DOCUMENTS

D. 280,884	*	10/1985	Holewinski et al.	D9/345
D. 430,015	*	8/2000	Himbert	D9/345
3,259,236	*	7/1966	Cole	206/776
4,375,262	*	3/1983	Hrenyo	206/418
5,064,056	*	11/1991	Gresh	206/321

5,695,057 * 12/1997 Sullivan 206/418

5,813,546 * 9/1998 Wilson et al. 206/471

5,890,593 * 4/1999 Humphrey 206/471

5,947,291 * 9/1999 Humphrey 206/471

* cited by examiner

Primary Examiner—Raphael Barkai

(74) *Attorney, Agent, or Firm*—Oppenheimer, Wolff &
Donnelly, LLP

(57) **CLAIM**

The ornamental design for a package design, as shown and
described.

DESCRIPTION

FIG. 1 is a front perspective view of a package design
showing my new design;

FIG. 2 is a left side elevational view thereof;

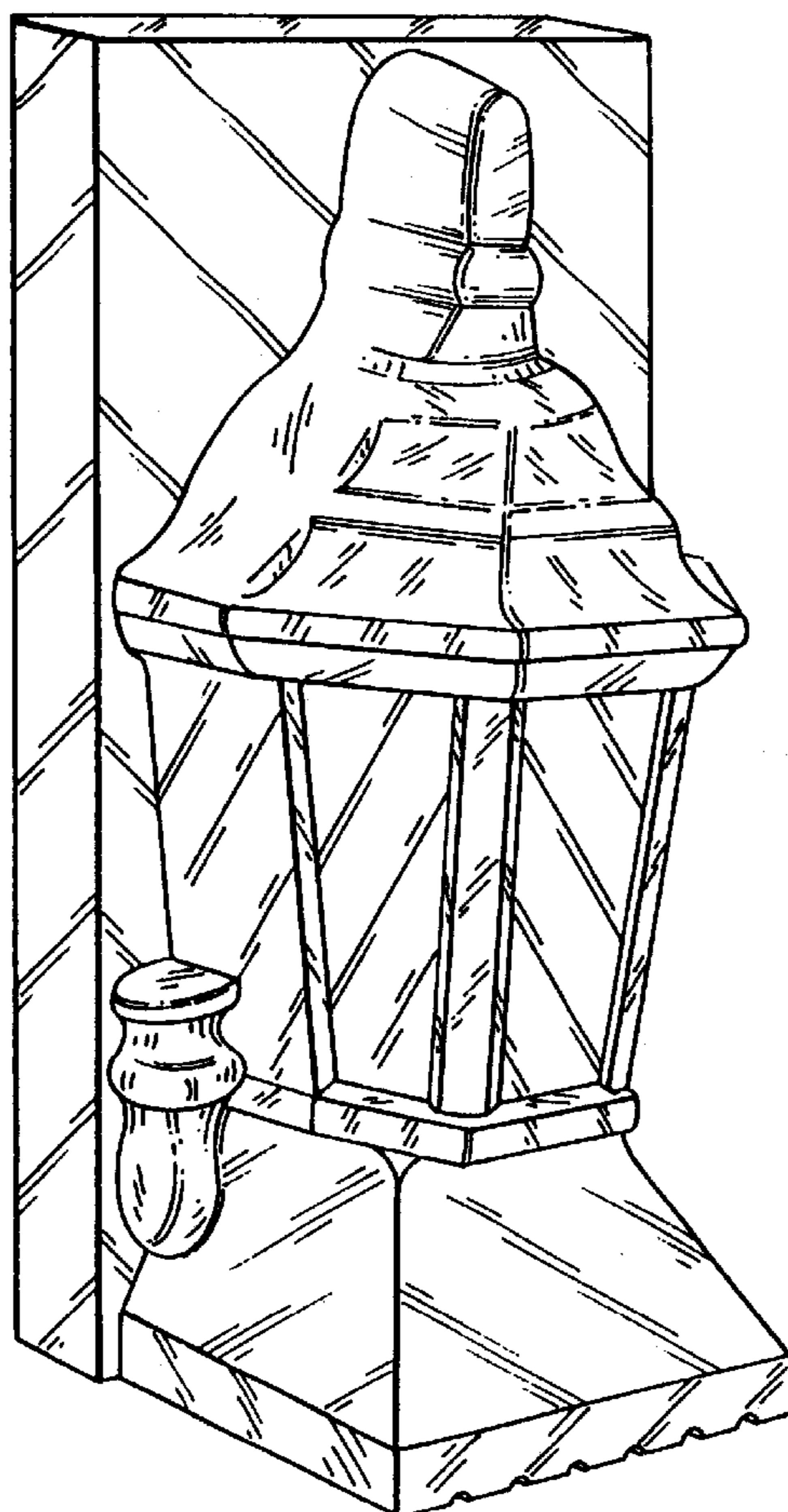
FIG. 3 is a front elevational view of the package design of
FIG. 1'

FIG. 4 is a right side elevational view thereof;

FIG. 5 is a top plan view of the package design of FIG. 1;
and,

FIG. 6 is a bottom plan view thereof.

1 Claim, 3 Drawing Sheets



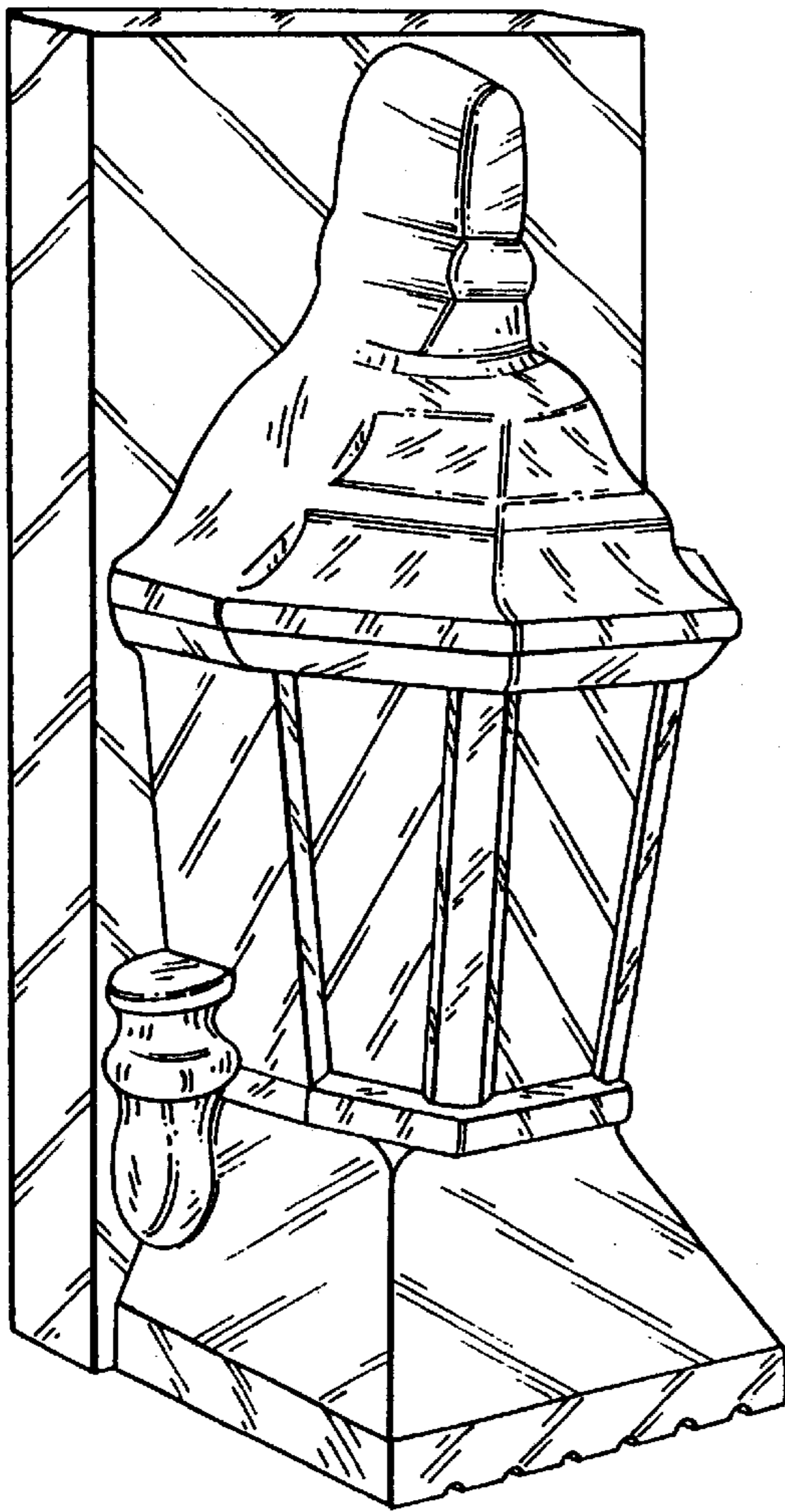


FIG. 1

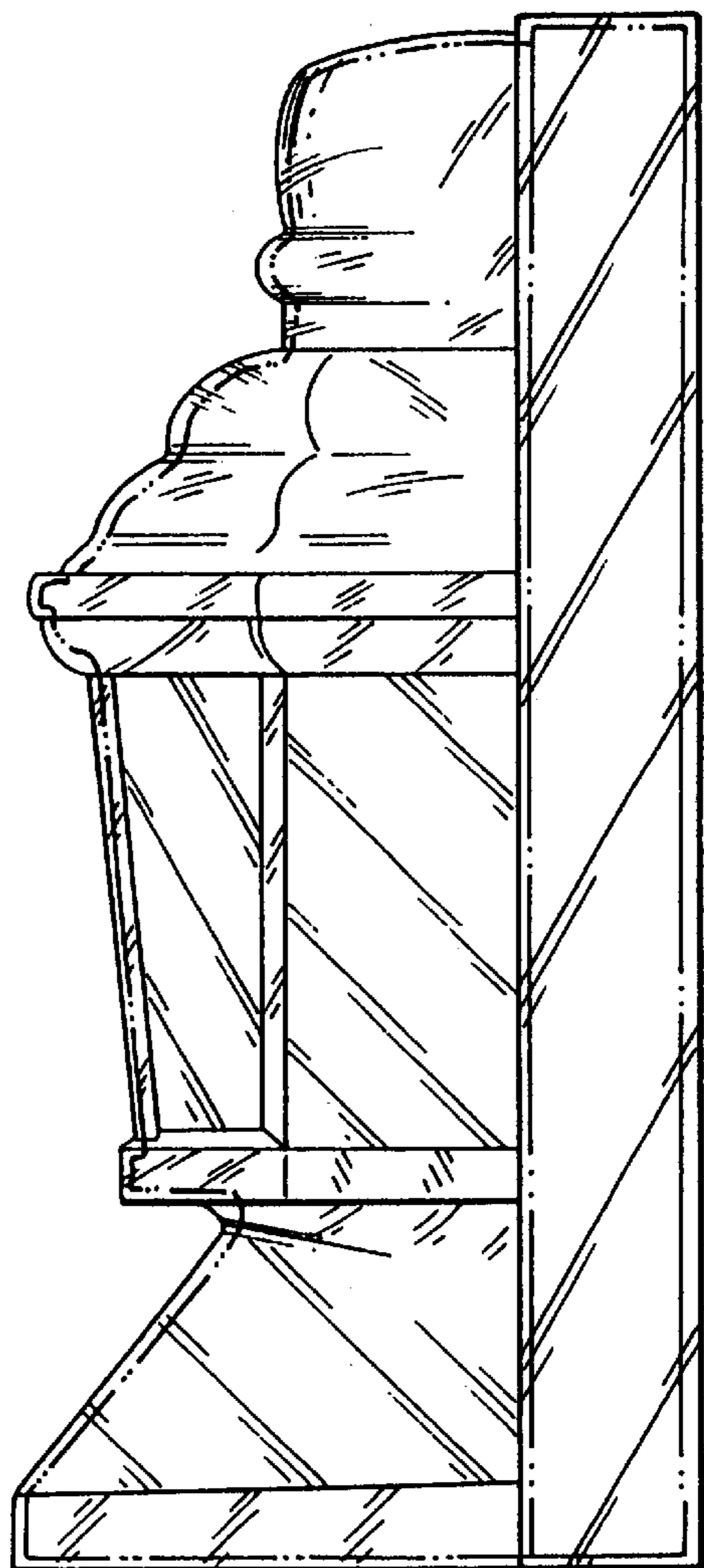


FIG. 2

FIG. 4

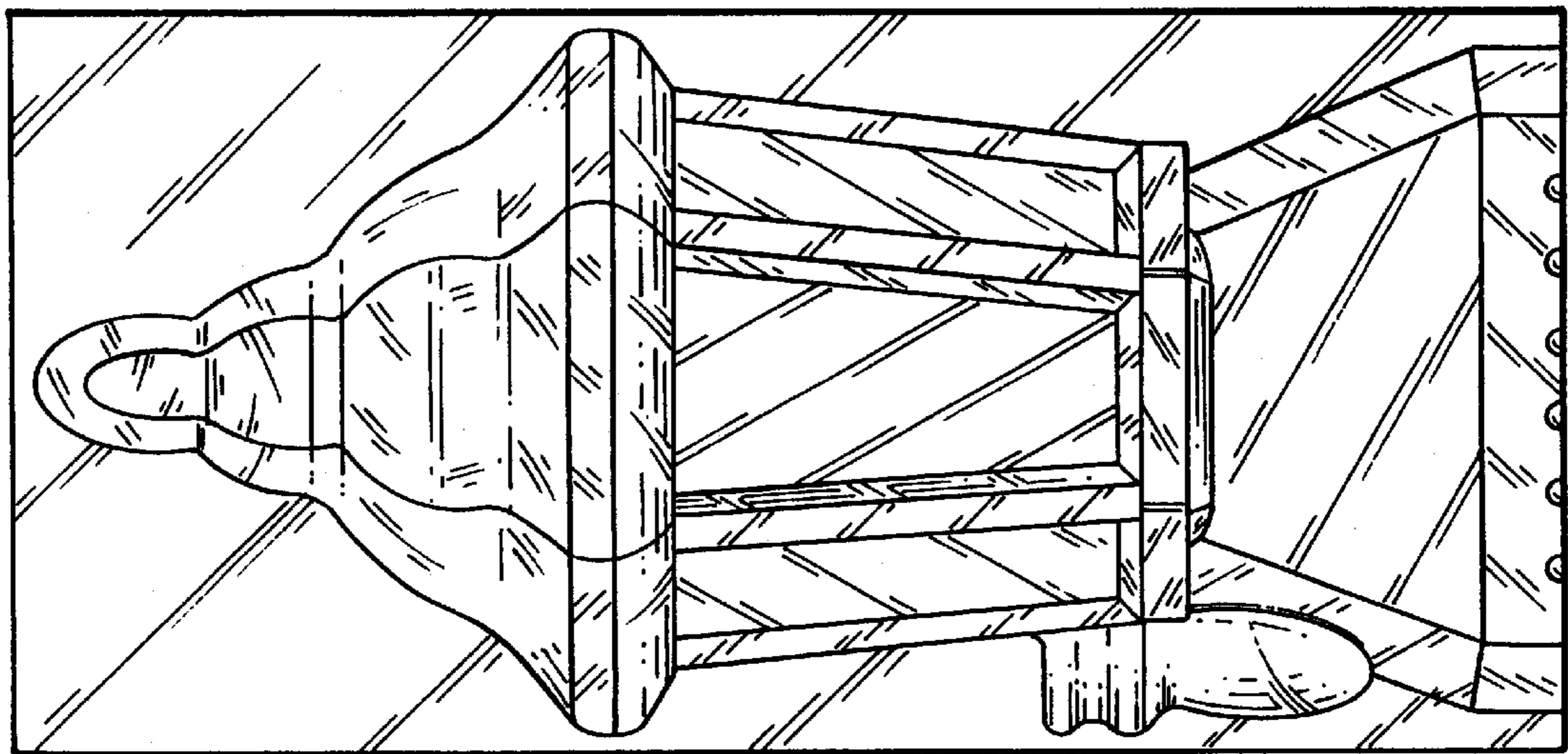
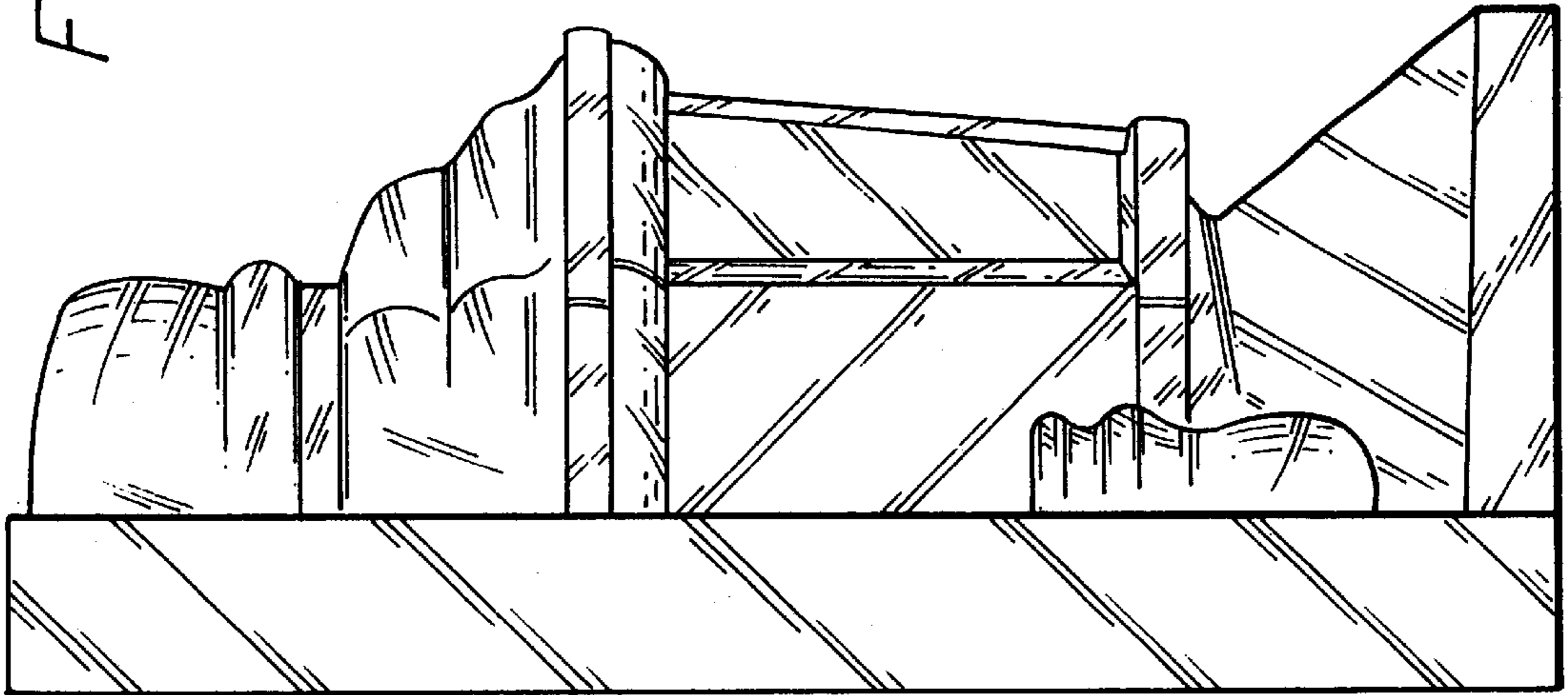


FIG. 3

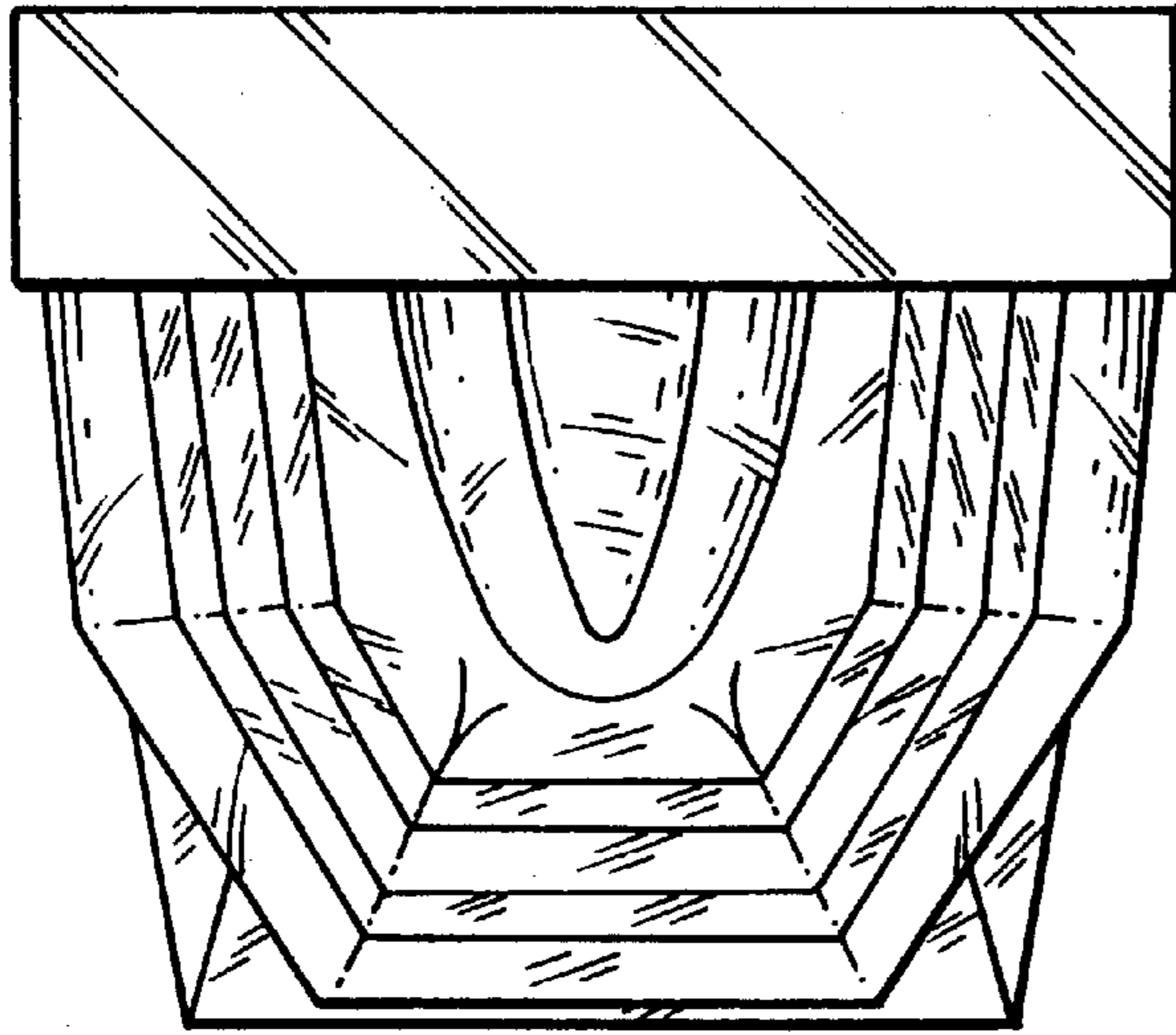


FIG. 5

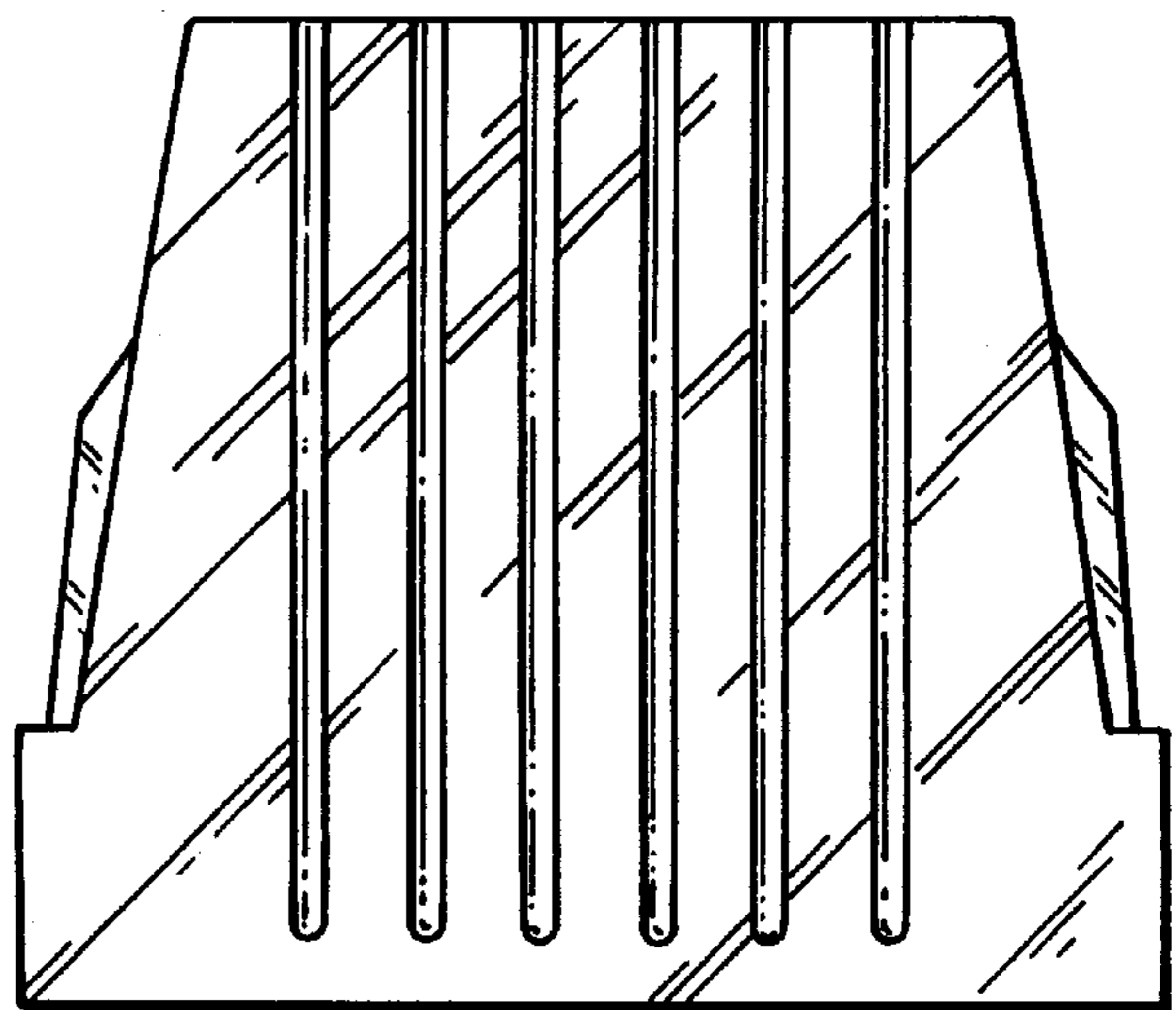


FIG. 6