



US00D442473S

(12) **United States Design Patent** (10) **Patent No.:** **US D442,473 S**  
**Habeck et al.** (45) **Date of Patent:** **\*\* May 22, 2001**

(54) **VENT STOP HOUSING FOR WINDOW**

(75) Inventors: **Jerome Carl Habeck**, Holt; **Dennis C. Westphal**, Parma, both of MI (US); **David S. Levine**, King of Prussia; **Stanley Gursky**, Yardley, both of PA (US)

(73) Assignee: **CertainTeed Corporation**, Valley Forge, PA (US)

(\*\*) Term: **14 Years**

(21) Appl. No.: **29/118,207**

(22) Filed: **Feb. 4, 2000**

(51) **LOC (7) Cl.** ..... **08-09**

(52) **U.S. Cl.** ..... **D8/402**

(58) **Field of Search** ..... D23/393; D8/400, D8/402; 49/449, 417, 450, 465; 292/45

(56) **References Cited**

**U.S. PATENT DOCUMENTS**

- D. 317,713 \* 6/1991 Kaplan ..... D8/402
- D. 410,380 \* 6/1999 Towns ..... D8/402
- 5,165,737 \* 11/1992 Riegelman ..... 292/42

\* cited by examiner

*Primary Examiner*—Mitchell Siegel

(74) *Attorney, Agent, or Firm*—Duane Morris & Heckscher LLP

(57) **CLAIM**

The ornamental design for a vent stop housing for window, as shown and described in FIGS. 1–8.

**DESCRIPTION**

**FIG. 1:** is a front perspective view of a vent stop housing for window showing our new design;

**FIG. 2:** is a bottom perspective view of the vent stop housing of FIG. 1;

**FIG. 3:** is a left side elevational view of the vent stop housing of FIG. 1;

**FIG. 4:** is a right side elevational view of the vent stop housing of FIG. 1;

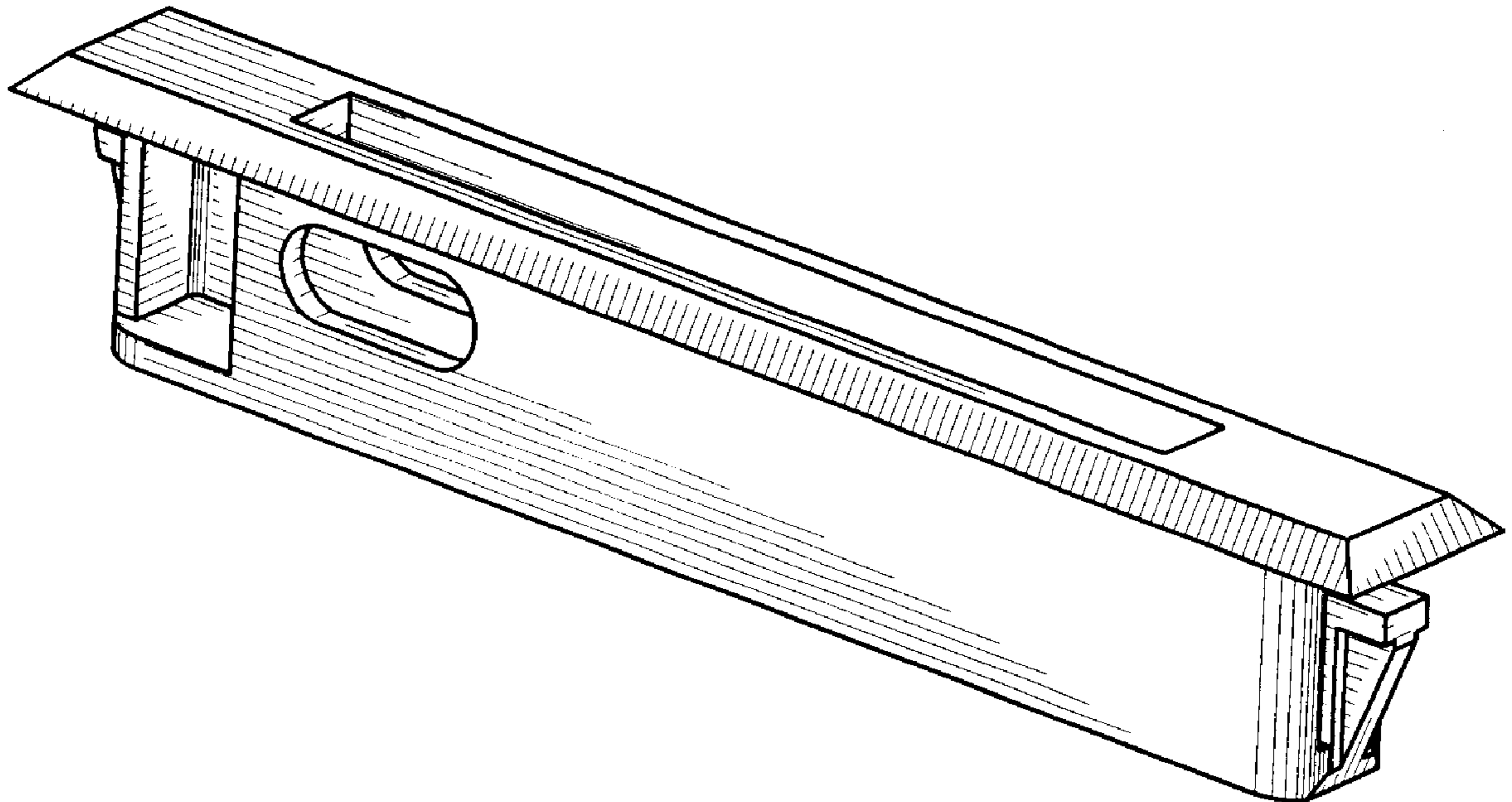
**FIG. 5:** is a top plan view of the vent stop housing of FIG. 1;

**FIG. 6:** is a bottom plan view of the vent stop housing of FIG. 1;

**FIG. 7:** is a rear elevational view of the vent stop housing of FIG. 1; and,

**FIG. 8:** is a front elevational view of the vent stop housing of FIG. 1.

**1 Claim, 2 Drawing Sheets**



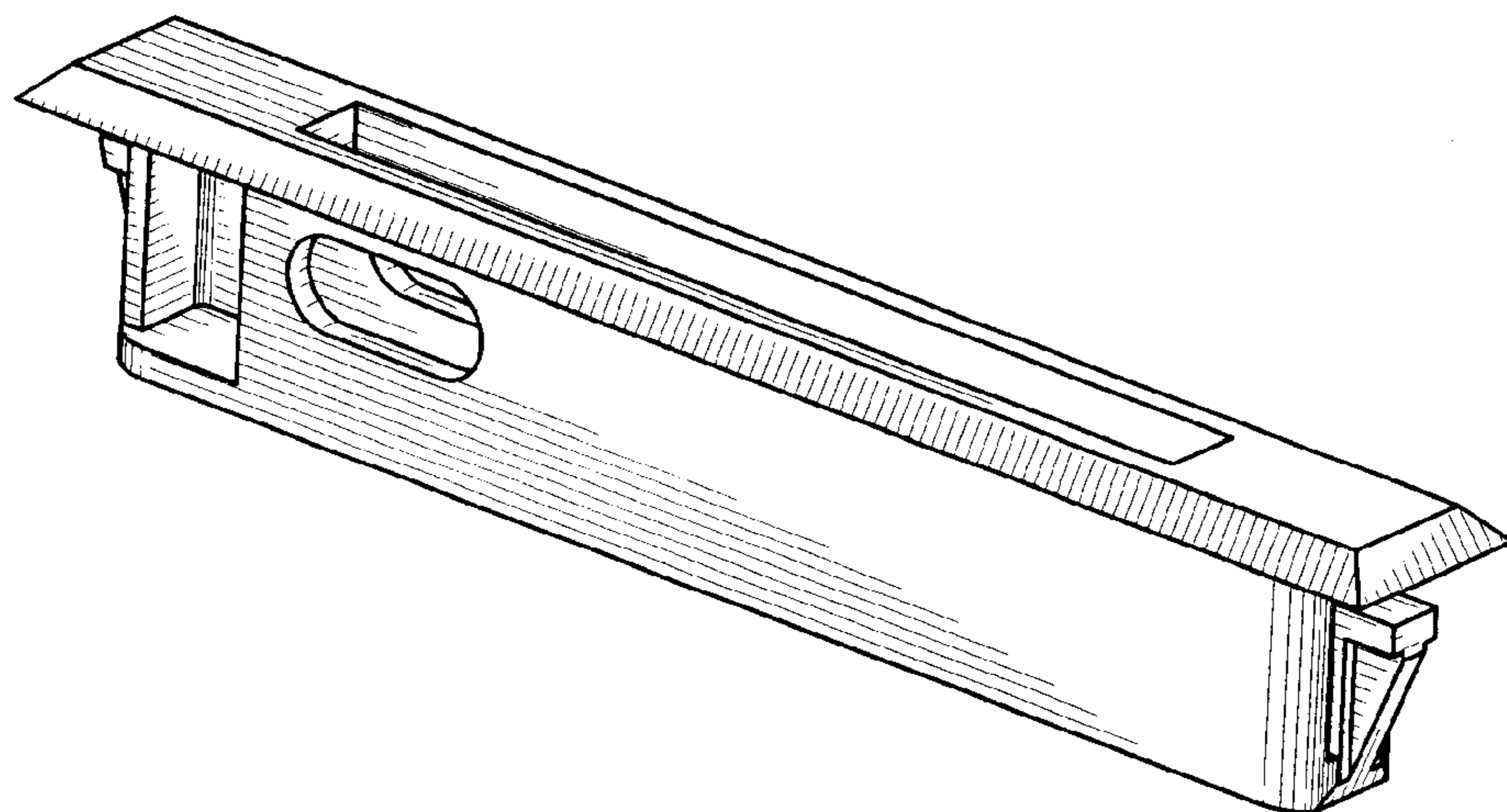


FIG. 1

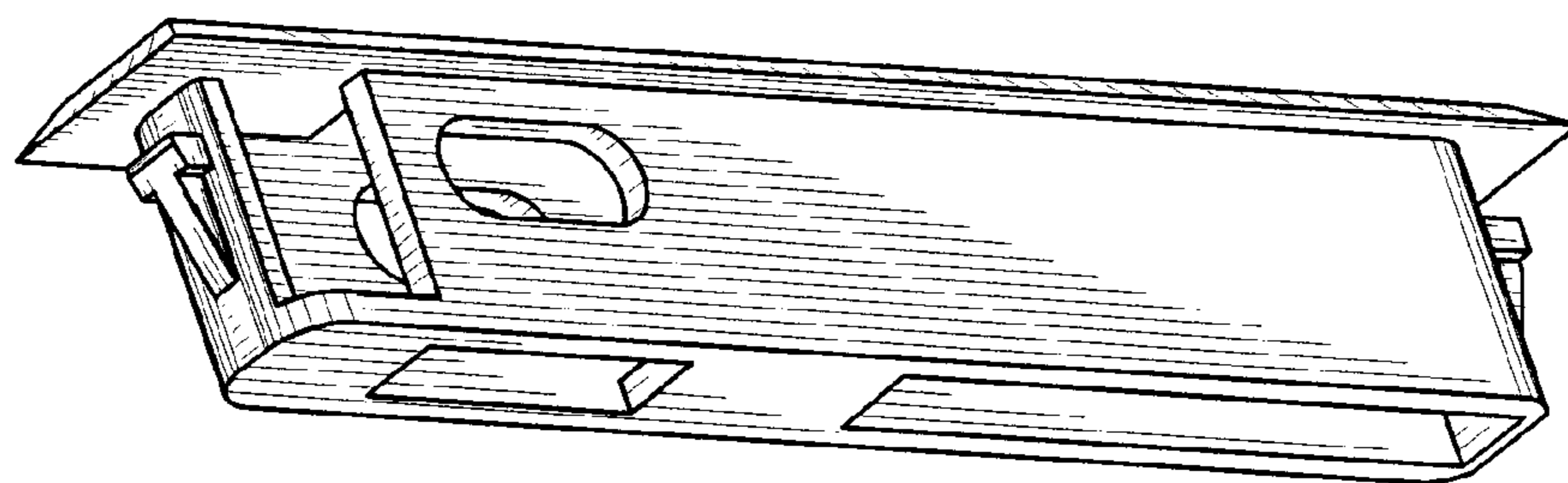


FIG. 2

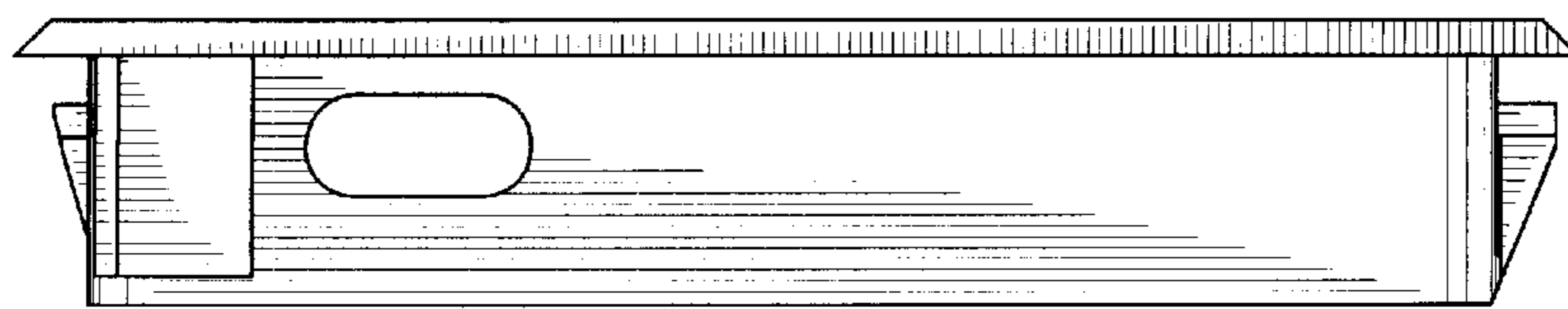


FIG. 3

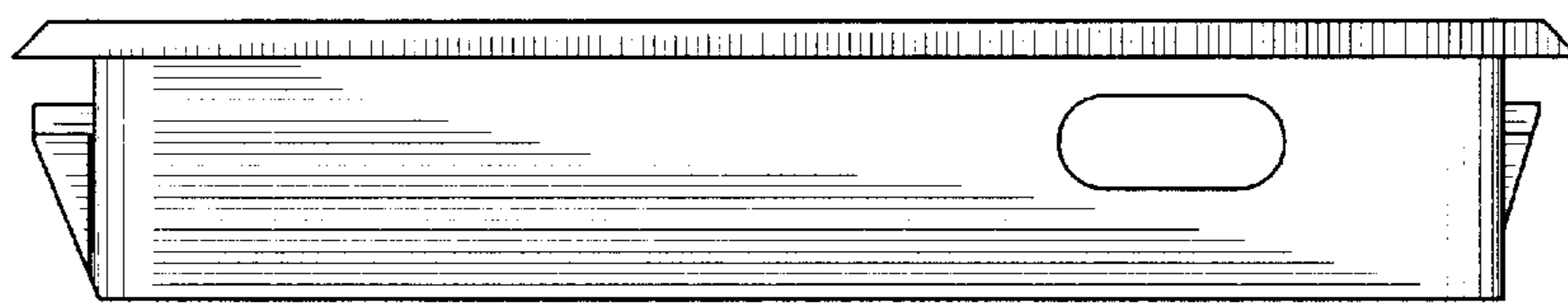


FIG. 4

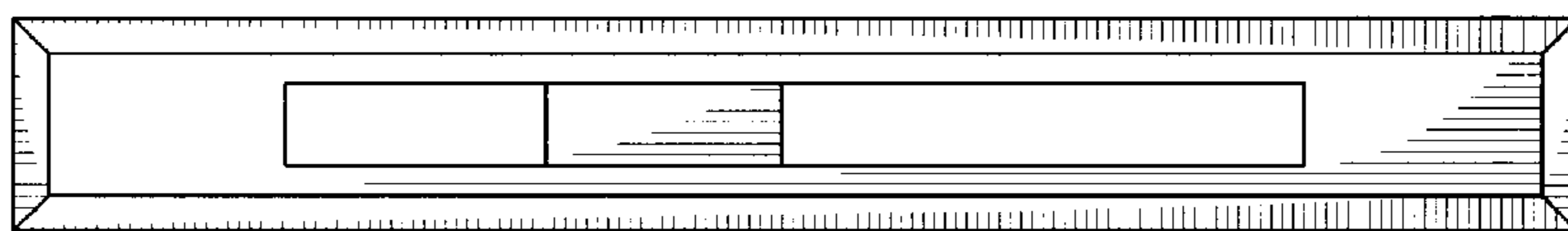


FIG. 5

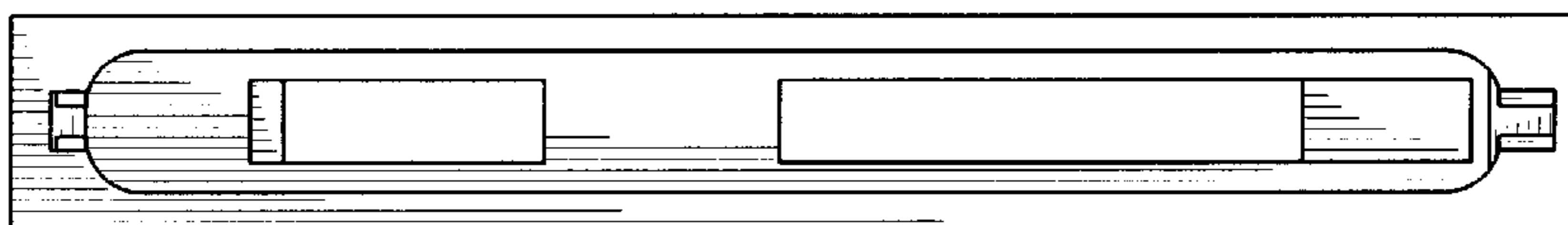


FIG. 6

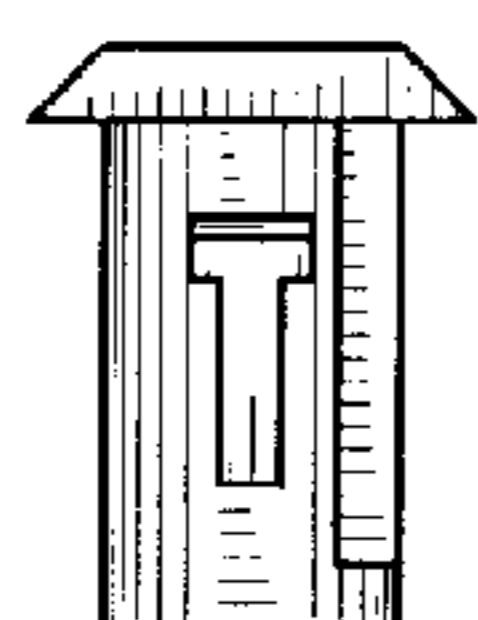


FIG. 7

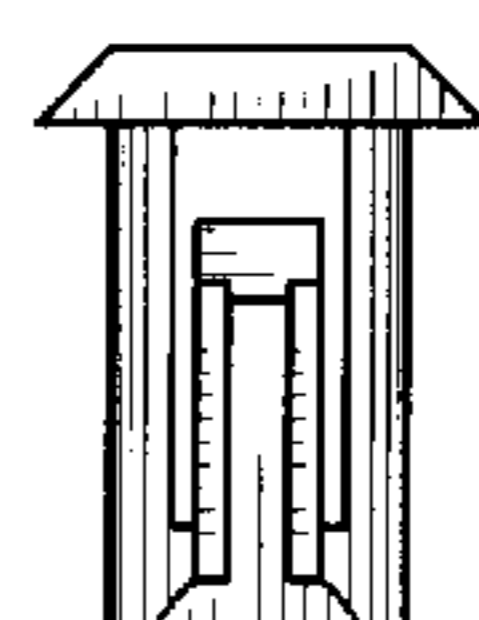


FIG. 8