



US00D442470S

(12) **United States Design Patent**  
**Wheatley**

(10) **Patent No.:** **US D442,470 S**

(45) **Date of Patent:** **\*\* May 22, 2001**

(54) **SIDE RAIL END MEMBER**

(76) Inventor: **Donald G. Wheatley**, 4451 Ford Rd.,  
Ann Arbor, MI (US) 48105

(\*\*) Term: **14 Years**

(21) Appl. No.: **29/118,040**

(22) Filed: **Feb. 3, 2000**

(51) **LOC (7) Cl.** ..... **08-05**

(52) **U.S. Cl.** ..... **D8/354**

(58) **Field of Search** ..... D8/363, 354; D25/43;  
403/230, 188; 52/182

(56) **References Cited**

**U.S. PATENT DOCUMENTS**

D. 216,458	*	1/1970	Nestrock	.....	D8/363
D. 256,076	*	7/1980	Spitz	.....	D6/503
4,948,637	*	8/1990	Kessler	.....	428/31

\* cited by examiner

*Primary Examiner*—Holly Baynham

(74) *Attorney, Agent, or Firm*—Harness, Dickey & Pierce,  
P.L.C.

(57) **CLAIM**

The ornamental design of a side rail end member, as shown and described.

**DESCRIPTION**

FIG. 1 is a downward perspective view from a rear corner of the side rail end member of this invention;

FIG. 2 is a side elevational view of the side rail end member of this invention;

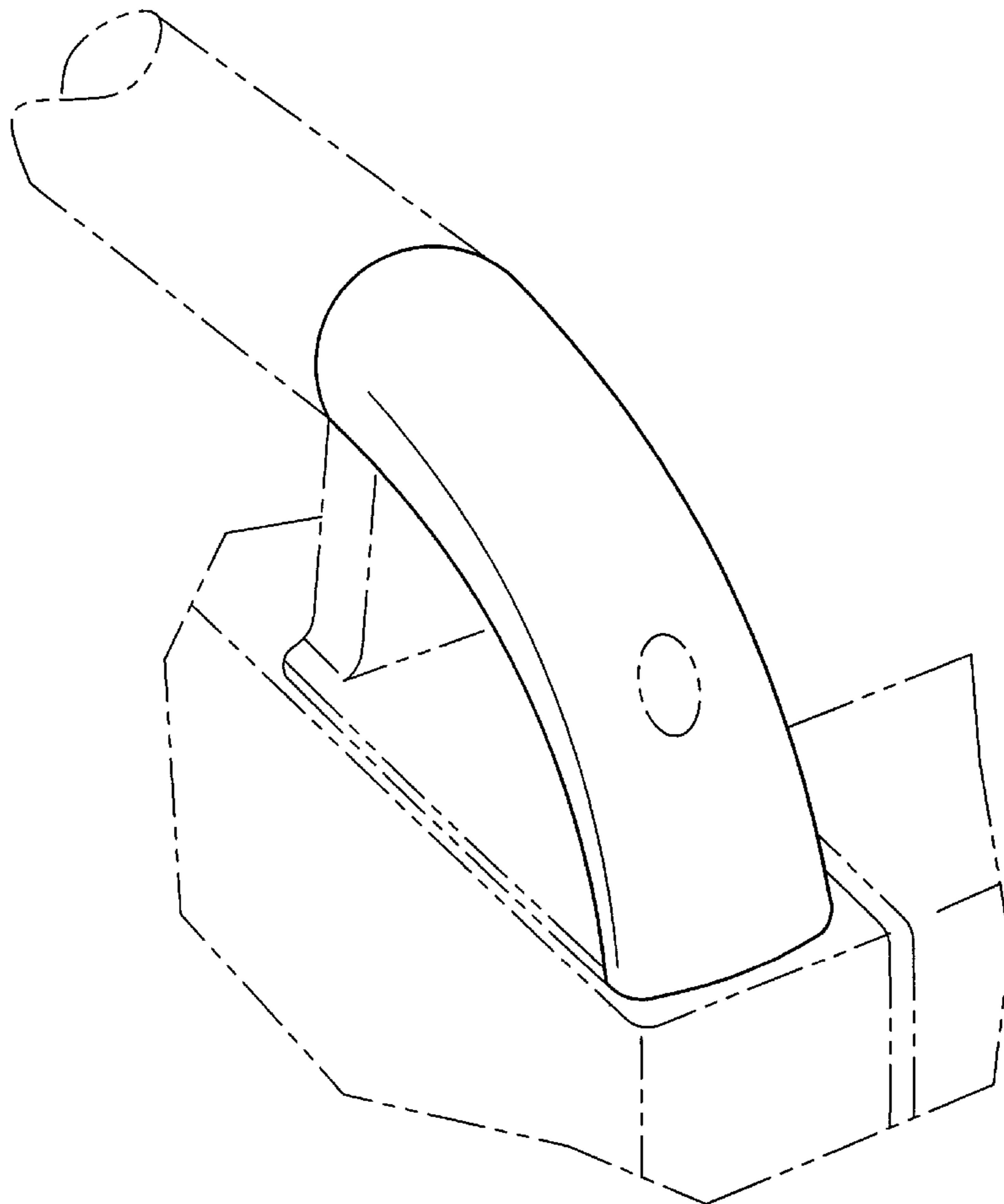
FIG. 3 is a rear view of the side rail end member of this invention;

FIG. 4 is a top view of the side rail end member of this invention; and,

FIG. 5 is a side elevational view, the opposing side of FIG. 2, of the present invention.

The phantom line portions of the drawings are shown for illustrative purposes and form no part of the present invention.

**1 Claim, 2 Drawing Sheets**



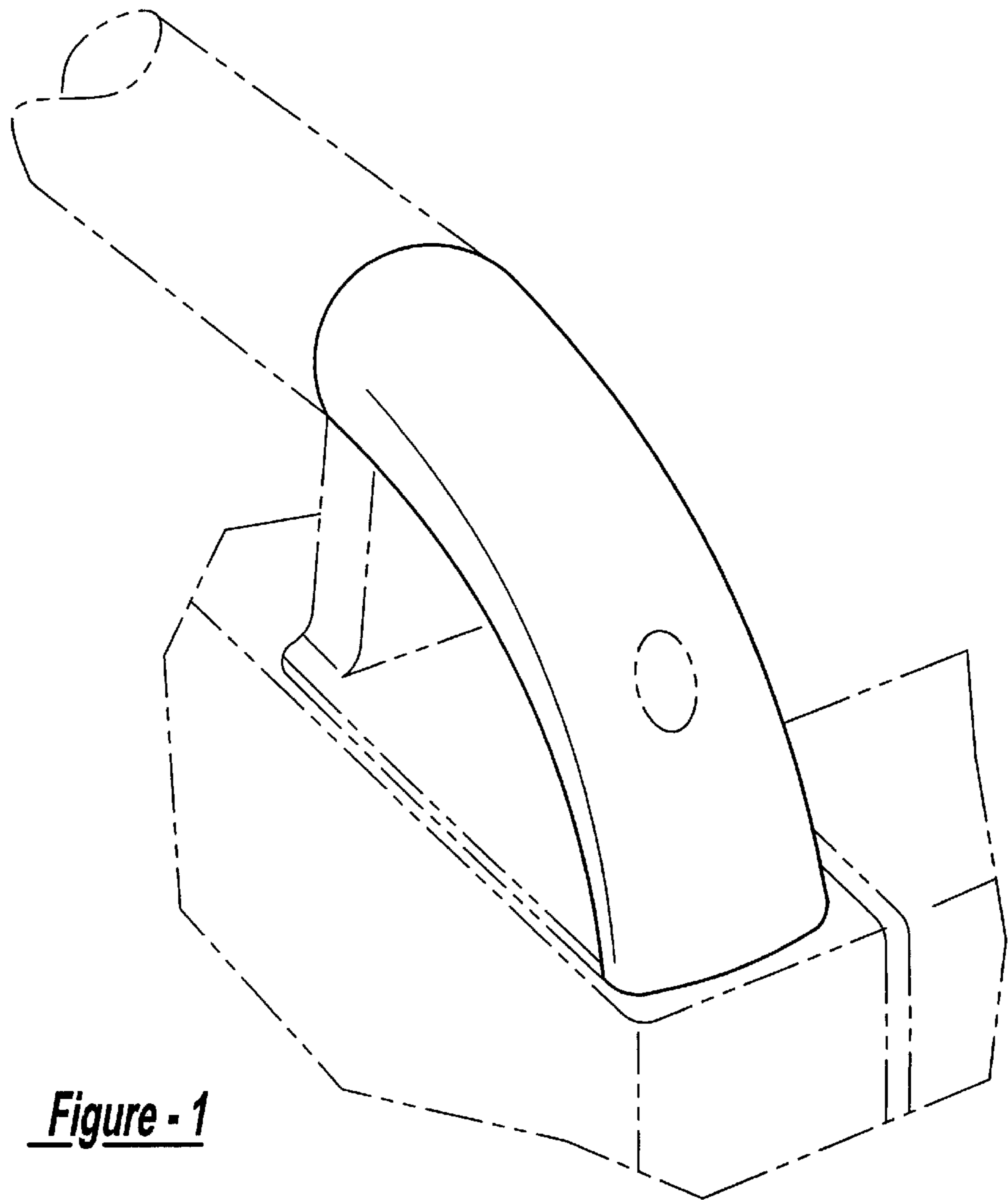


Figure - 1

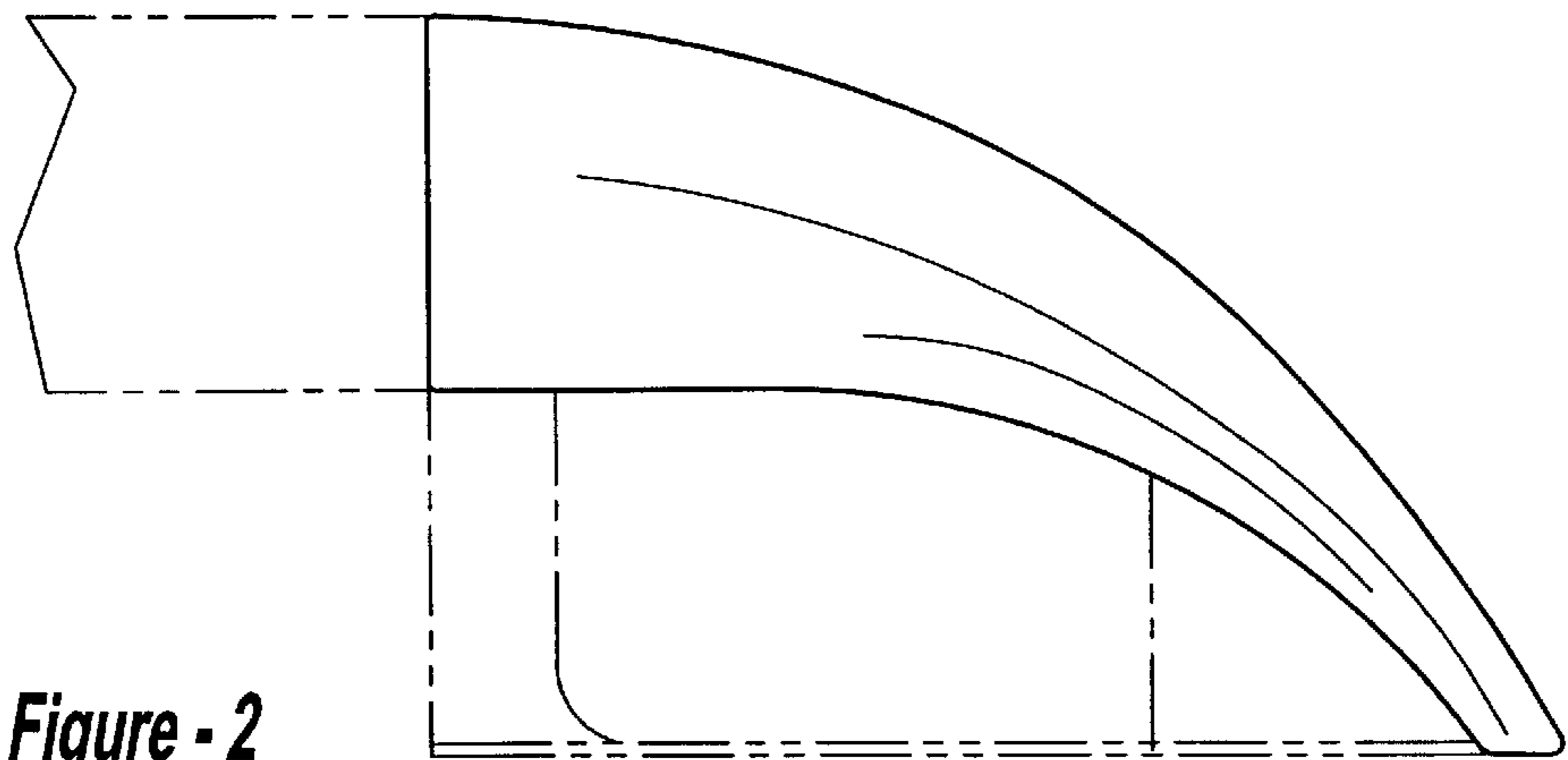


Figure - 2

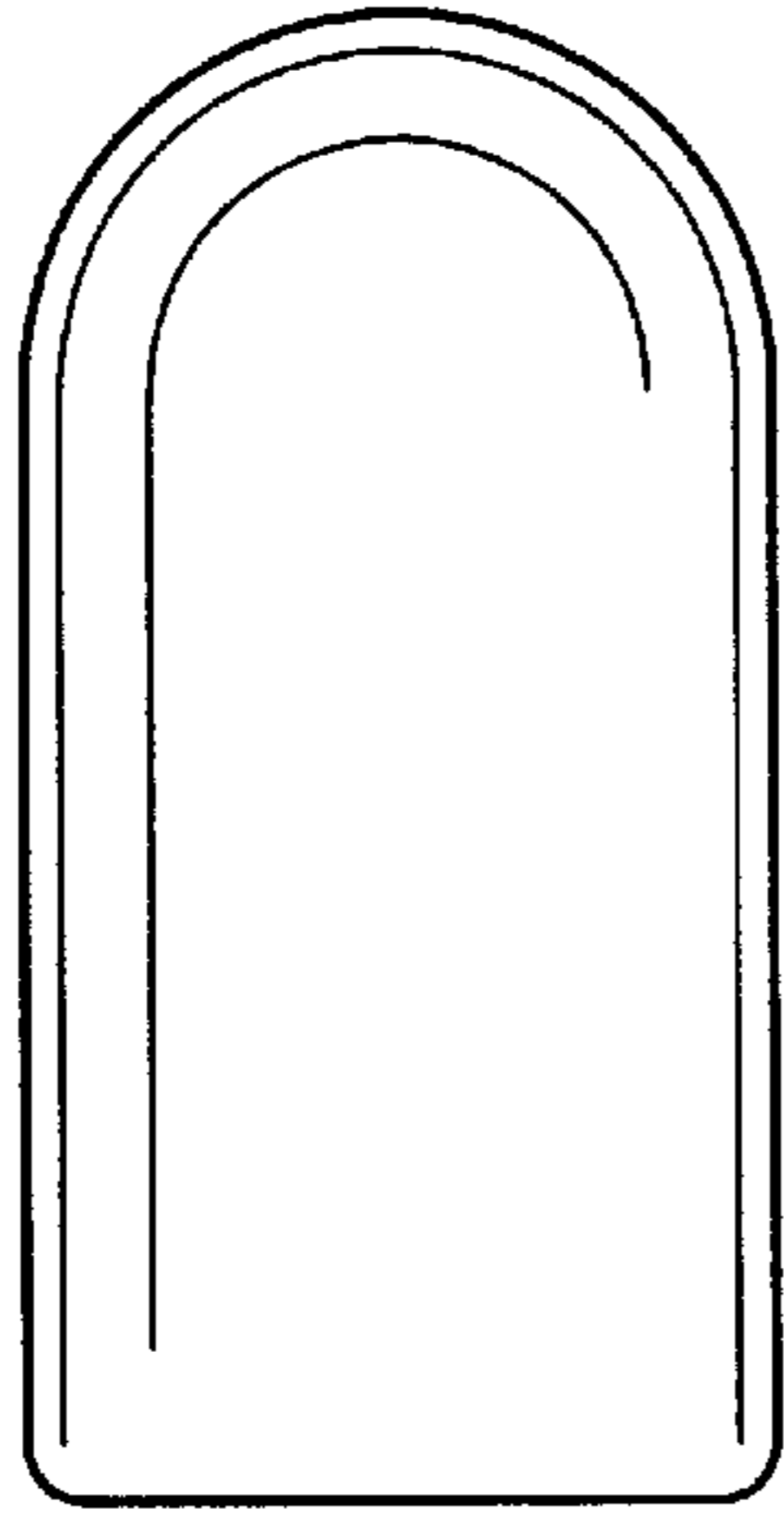


Figure - 3

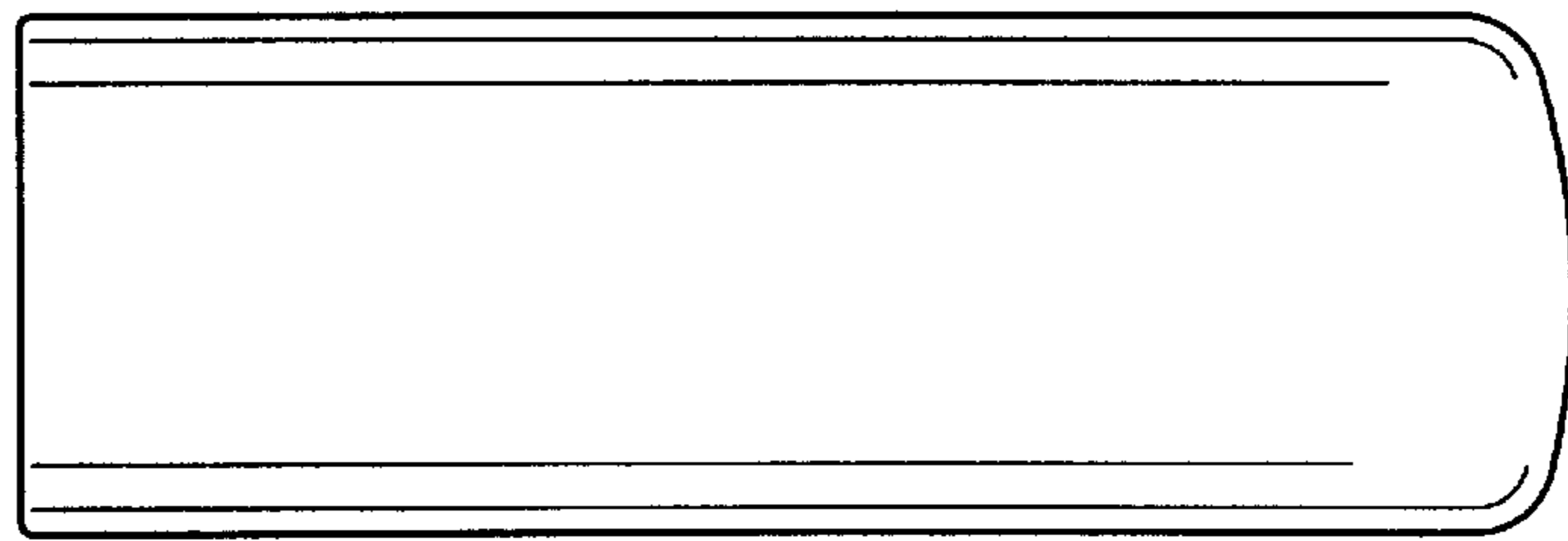


Figure - 4

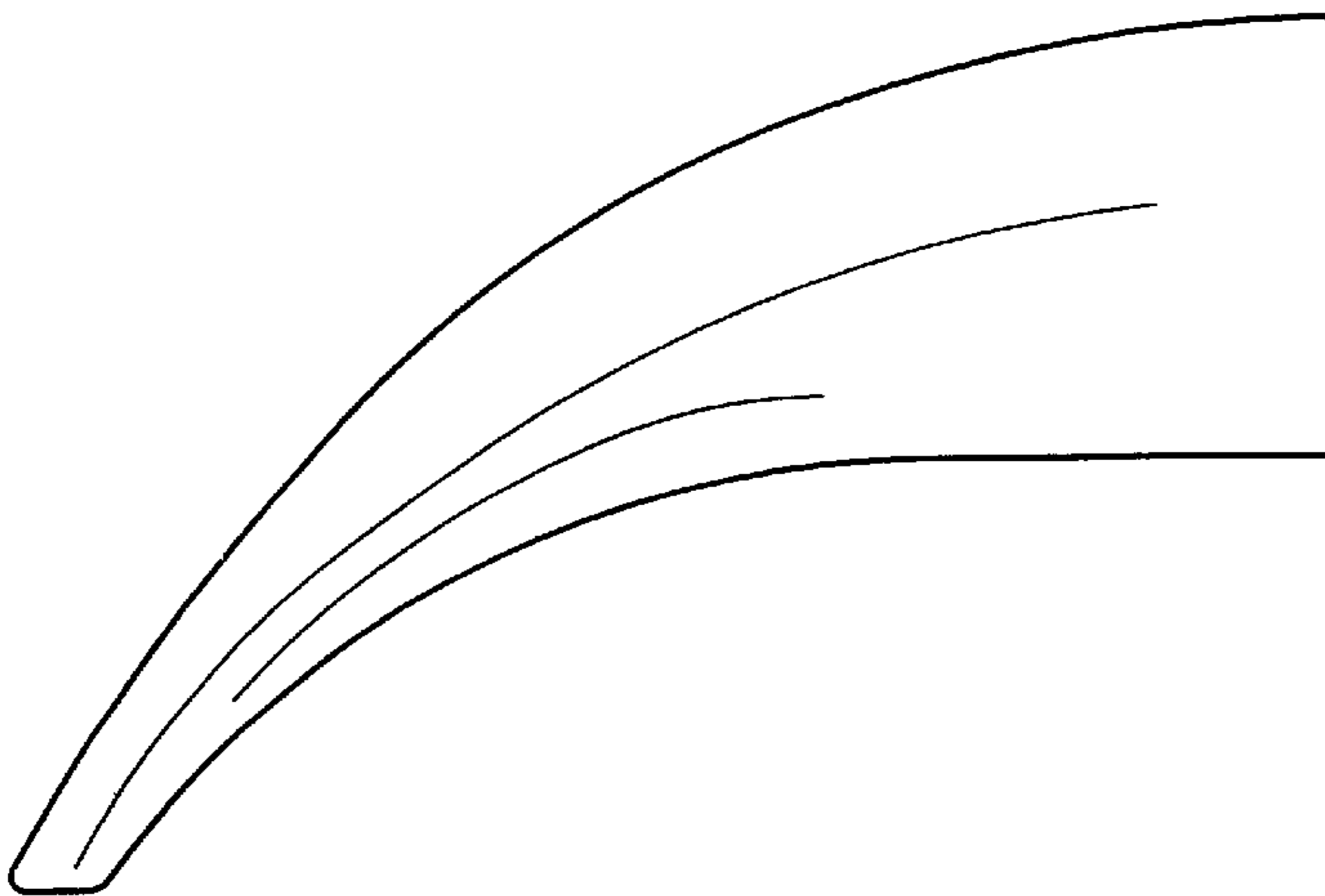


Figure - 5