



US00D442463S

(12) **United States Design Patent**
Tieu et al.

(10) **Patent No.:** **US D442,463 S**

(45) **Date of Patent:** **** May 22, 2001**

(54) **MAGNETIC CATCH**

(75) Inventors: **Loc B. Tieu**, Exton; **Christopher J. Pinkow**, Boothwyn, both of PA (US)

(73) Assignee: **Southco, Inc.**, Concordville, PA (US)

(**) Term: **14 Years**

(21) Appl. No.: **29/094,590**

(22) Filed: **Oct. 6, 1998**

(51) **LOC (7) Cl.** **08-07**

(52) **U.S. Cl.** **D8/330**

(58) **Field of Search** D8/330, 331, 343,
D8/344; 49/478.1; 70/276; 220/230; D13/183;
292/251.5

(56) **References Cited**

U.S. PATENT DOCUMENTS

- 3,425,729 2/1969 Bisbing .
- 4,026,588 * 5/1977 Bisbing et al. 292/251.5
- 5,190,325 * 3/1993 Doss-Desouza 292/251.5

OTHER PUBLICATIONS

Item 9773-PT Magnetic Catch, Amerock Cabinet Hardware Catalogue, pp. 38-39, Aug. 1984.*
Southco Fasteners, Handbook 40, Section K, pp. K-2, K-3, K-4, K-5 and K-6 (1990).

* cited by examiner

Primary Examiner—Susan J. Lucas
Assistant Examiner—Jennifer Rivard

(74) *Attorney, Agent, or Firm*—Paul & Paul

(57) **CLAIM**

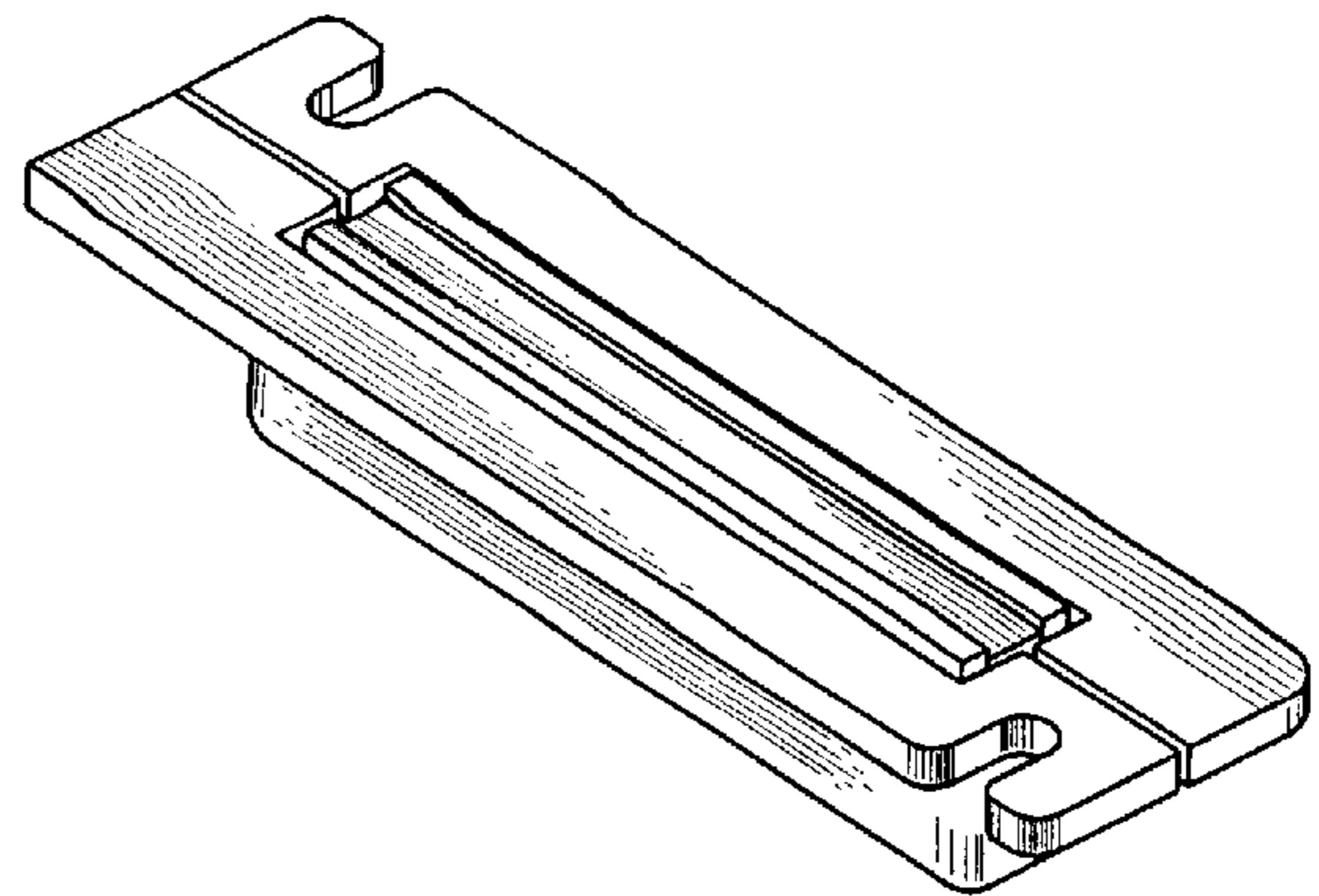
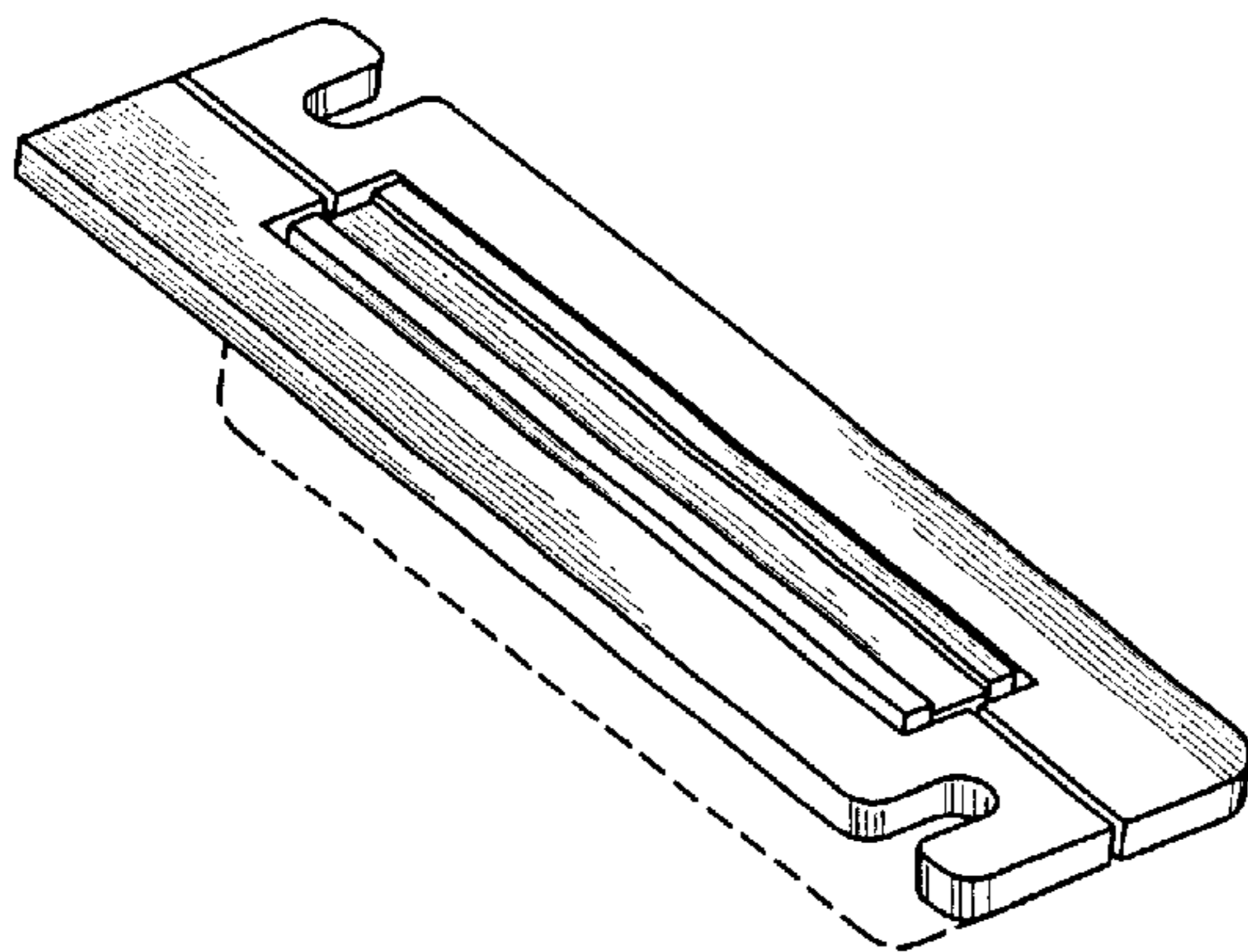
The ornamental design for a magnetic catch, as shown and described.

DESCRIPTION

FIG. 1 is perspective view of a first embodiment of a magnetic catch embodying my new design;
 FIG. 2 is a top plan view thereof;
 FIG. 3 is a front view thereof, the rear view being a mirror image of that shown;
 FIG. 4 is a left side view thereof, the right side being a mirror image of that shown;
 FIG. 5 is a bottom plan view thereof;
 FIG. 6 is a perspective view of another embodiment of a magnetic catch embodying my new design, the difference from the first embodiment is that the dotted lines in the first embodiment are now shown as solid lines;
 FIG. 7 is a top plan view of the magnetic catch of FIG. 6;
 FIG. 8 is a front view of the magnetic catch of FIG. 6, the rear view being a mirror image of that shown;
 FIG. 9 is a left side view of the magnetic catch of FIG. 6, the right side being a mirror image of that shown; and,
 FIG. 10 is a bottom plan view of the magnetic catch of FIG. 6.

The broken lines illustrating a portion of the magnetic catch in FIGS. 1-5 are for illustrative purposes only and form no part of the claimed design.

1 Claim, 2 Drawing Sheets



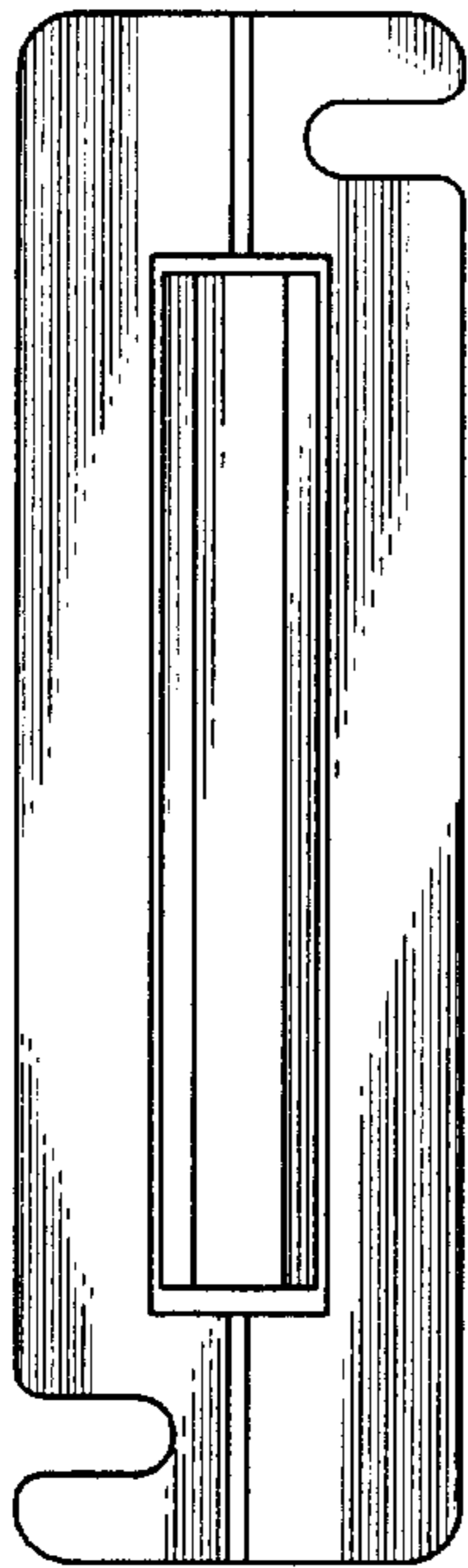


FIG. 2

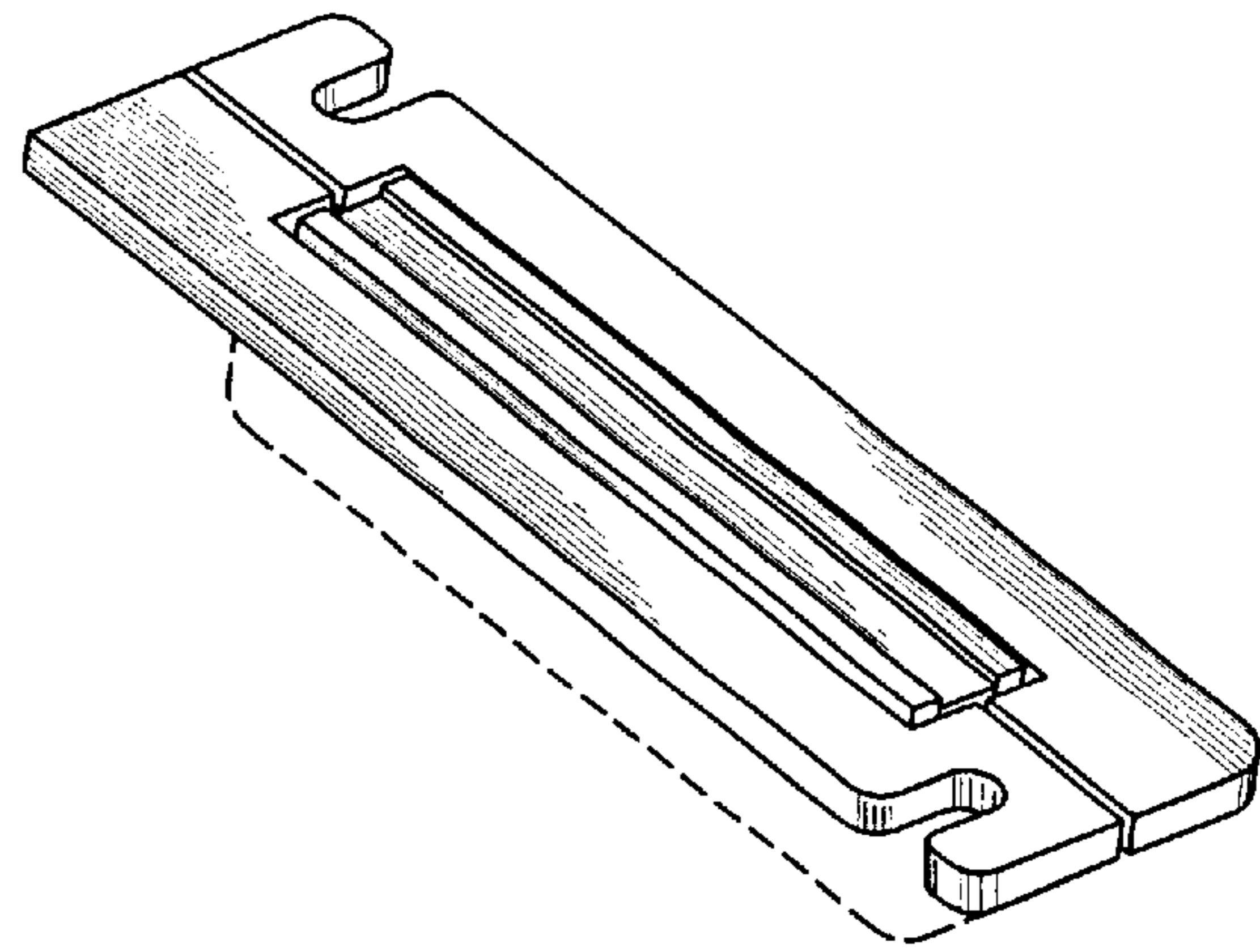


FIG. 1

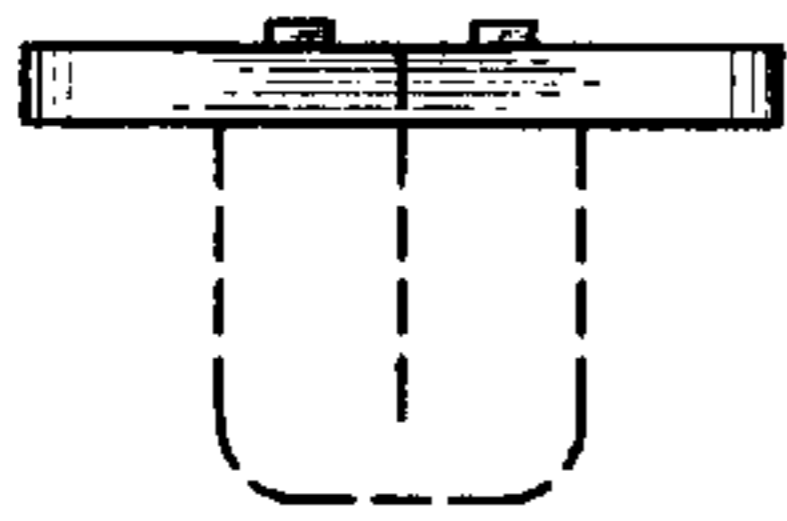


FIG. 3

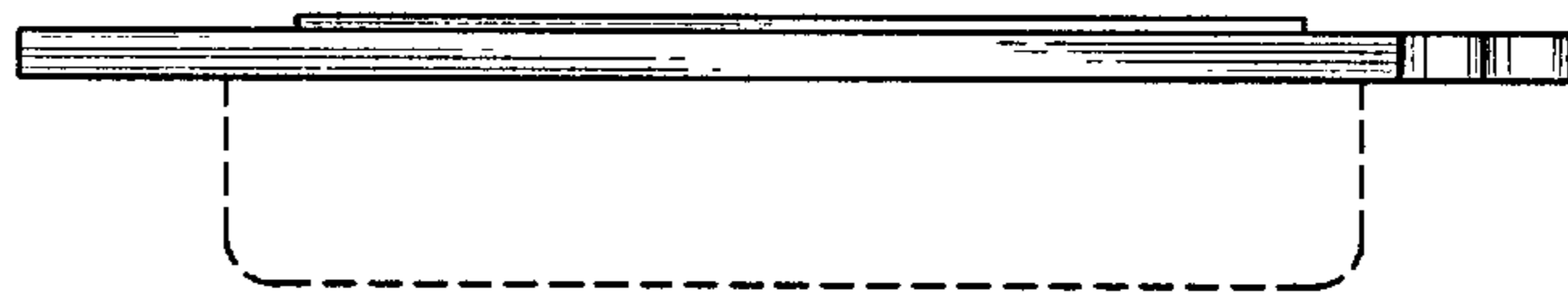


FIG. 4

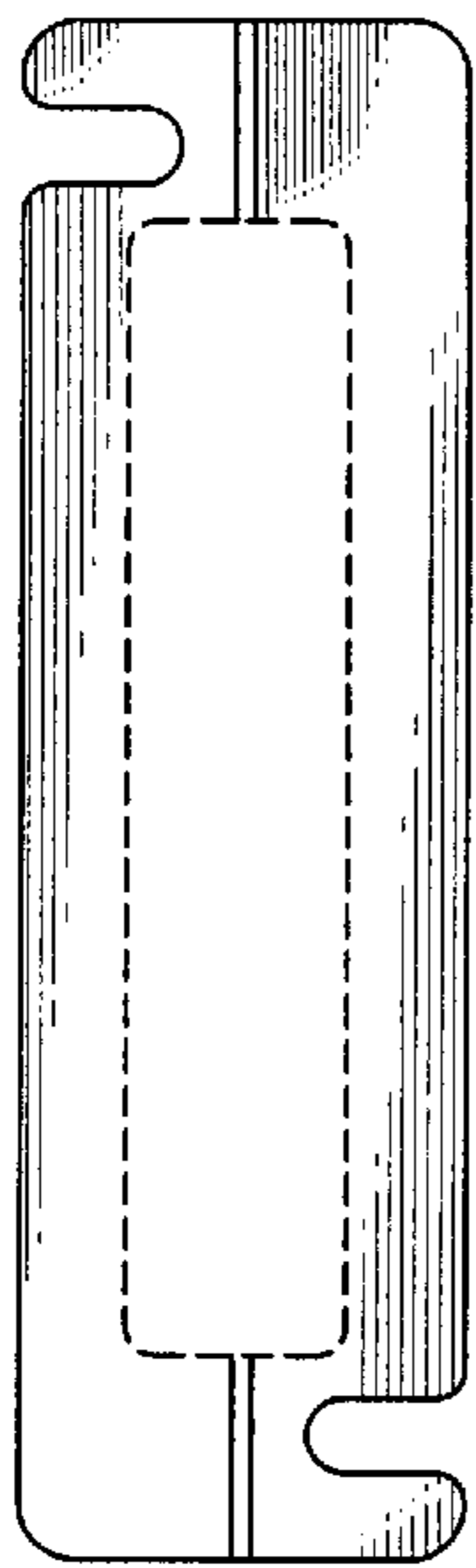


FIG. 5

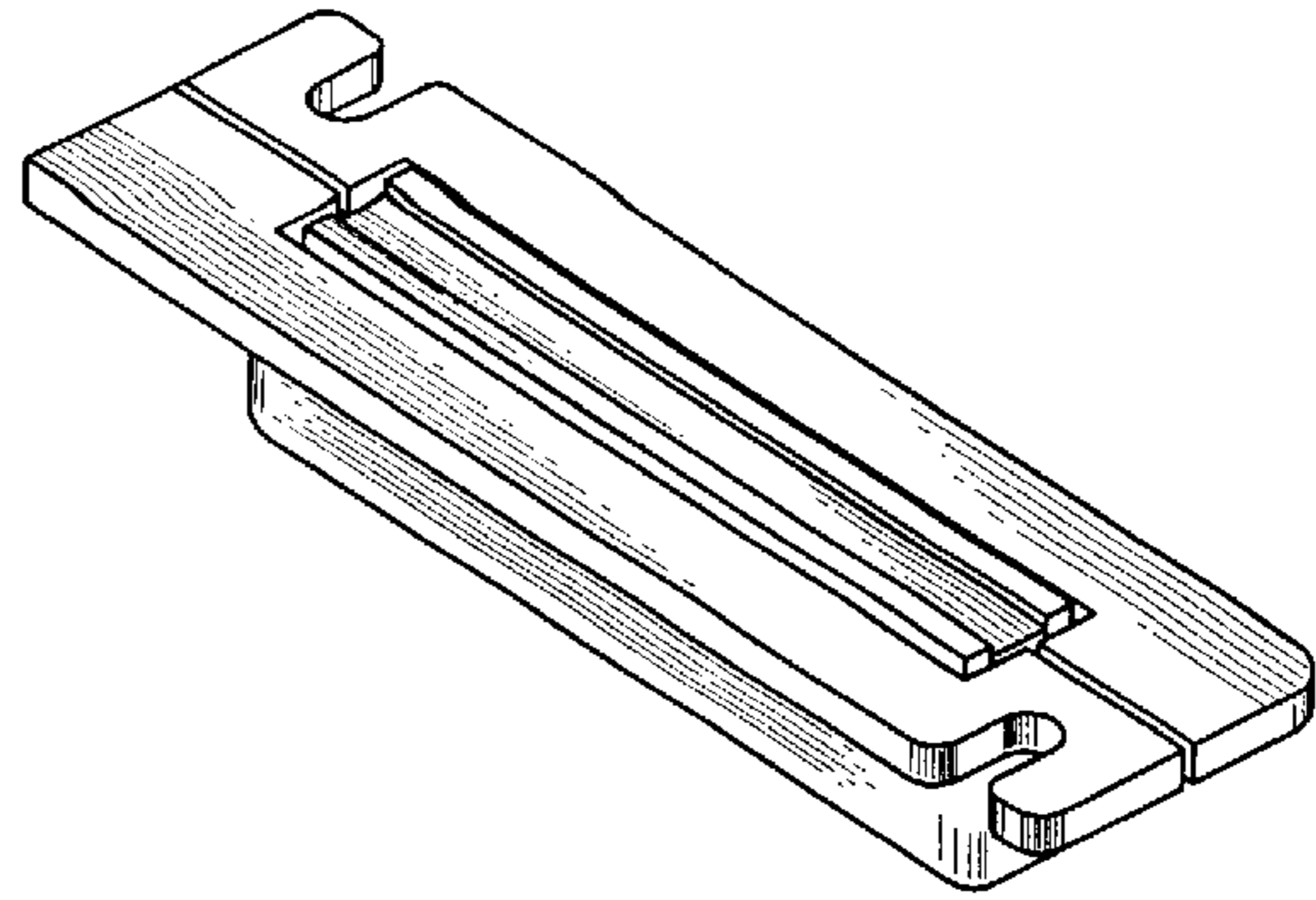


FIG. 6

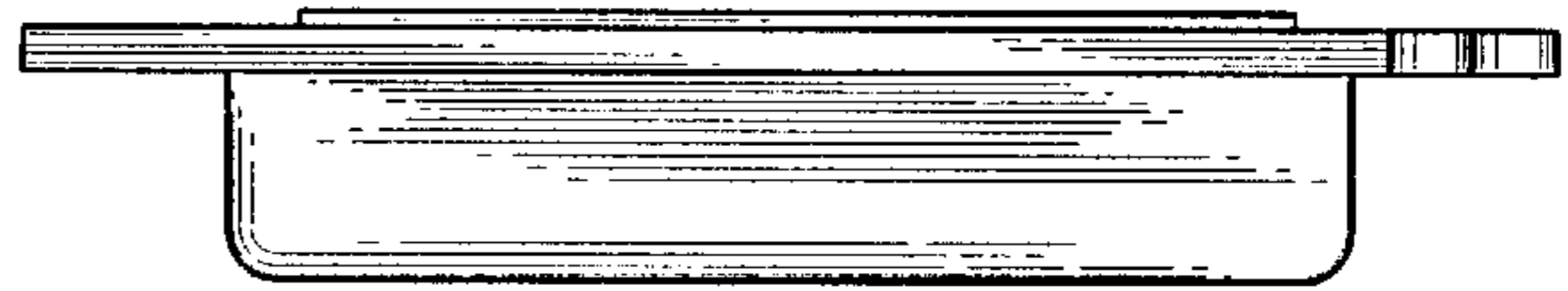


FIG. 9

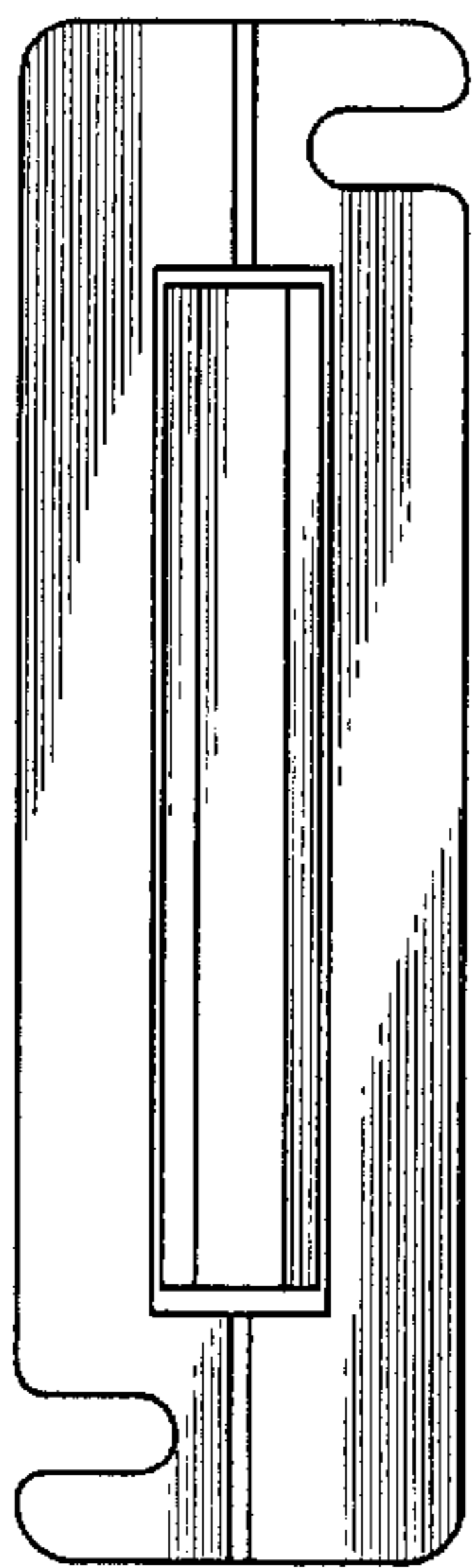


FIG. 7

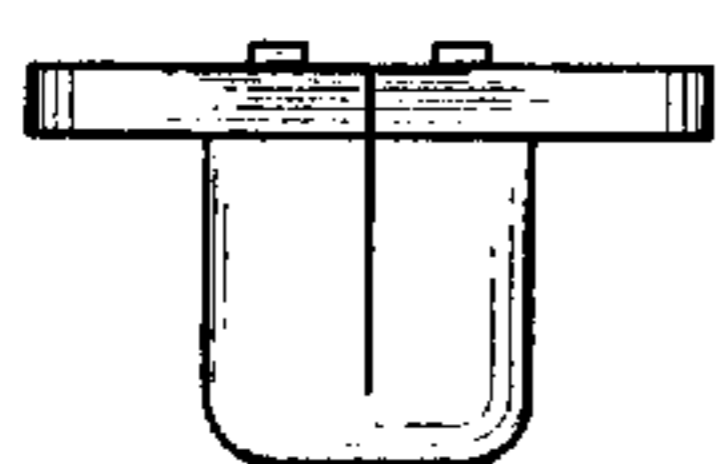


FIG. 8

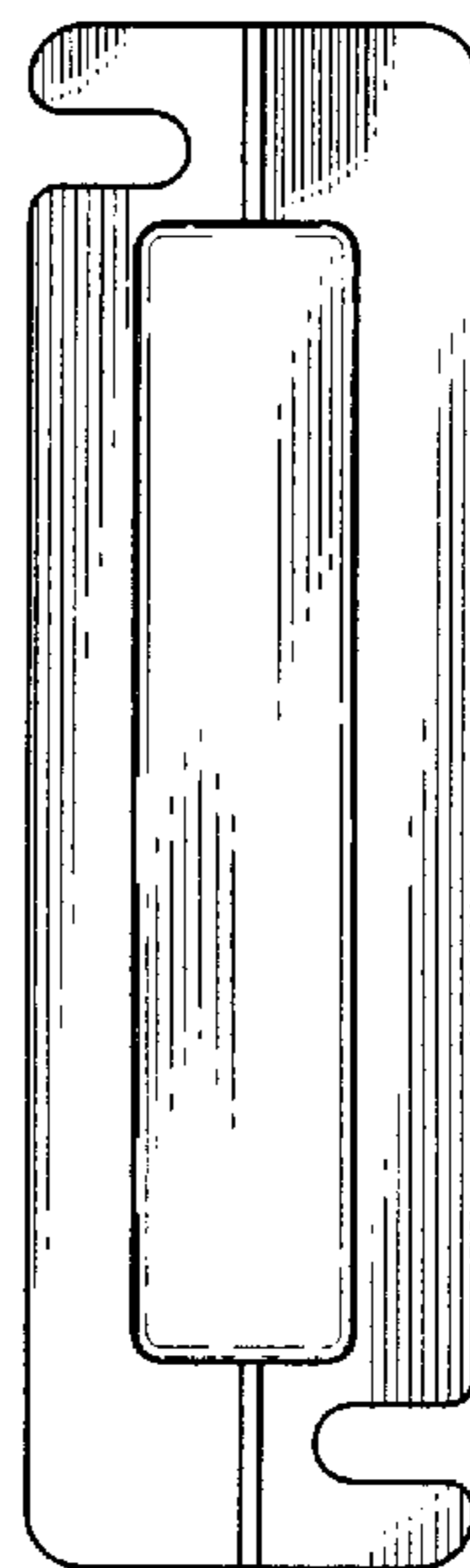


FIG. 10