



US00D442456S

(12) **United States Design Patent**  
**Killins**

(10) **Patent No.:** **US D442,456 S**

(45) **Date of Patent:** **\*\* May 22, 2001**

(54) **GYP SUM, DOOR INSTALLATION, PRYING AND RASPING TOOL**

(75) Inventor: **Richard Michael Killins**, Yucca Valley, CA (US)

(73) Assignee: **Inventions Unlimited, Inc.**, Yucca Valley, CA (US)

(\*\*) Term: **14 Years**

(21) Appl. No.: **29/119,623**

(22) Filed: **Mar. 4, 2000**

**Related U.S. Application Data**

(62) Division of application No. 29/109,057, filed on Aug. 9, 1999.

(51) **LOC (7) Cl.** ..... **08-05**

(52) **U.S. Cl.** ..... **D8/88; D8/90**

(58) **Field of Search** ..... D8/14, 71, 88, D8/89, 90, 107; 7/166; 81/45; 254/129, 130, 131

(56) **References Cited**

**U.S. PATENT DOCUMENTS**

D. 205,190 \* 7/1966 Timble .

D. 226,057	*	1/1973	Grindinger .....	D8/88
D. 324,474	*	3/1992	Killins .....	D8/88
2,692,753	*	10/1954	Masterson, Jr. et al. .	
4,712,771	*	12/1987	Donnelly et al. ....	254/131
5,501,561	*	3/1996	Wulff .....	254/131
5,749,113	*	5/1998	Witter .....	7/166

\* cited by examiner

*Primary Examiner*—Philip S. Hyder

(57) **CLAIM**

The ornamental design for a gypsum, door installation, prying, and rasping tool, as shown and described.

**DESCRIPTION**

FIG. 1 is a front perspective view of a gypsum, door installation, prying, and rasping tool showing my new design;

FIG. 2 is a rear elevational view thereof;

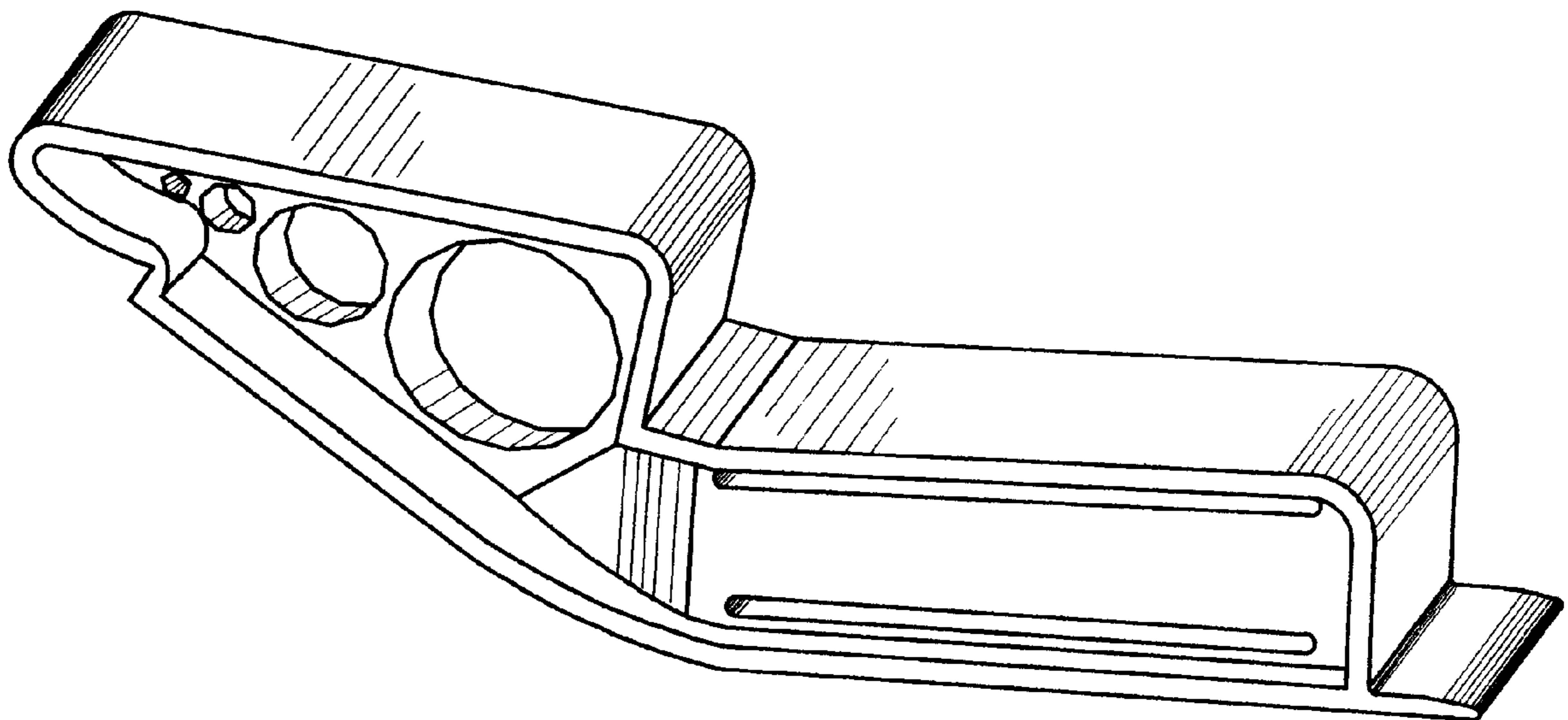
FIG. 3 is a top plan view thereof;

FIG. 4 is a bottom plan view thereof;

FIG. 5 is a left end view thereof; and,

FIG. 6 is a right end view thereof.

**1 Claim, 1 Drawing Sheet**



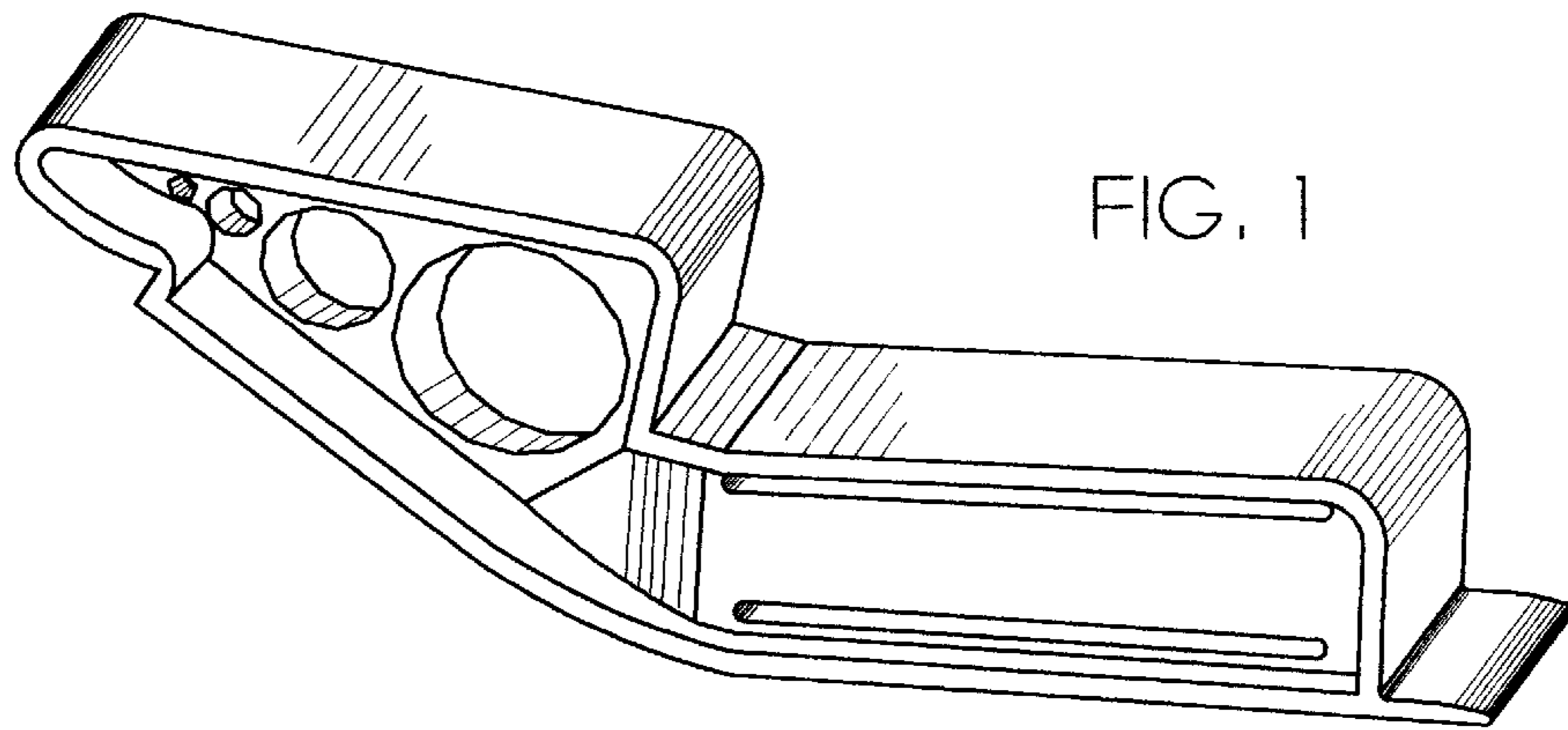


FIG. 1

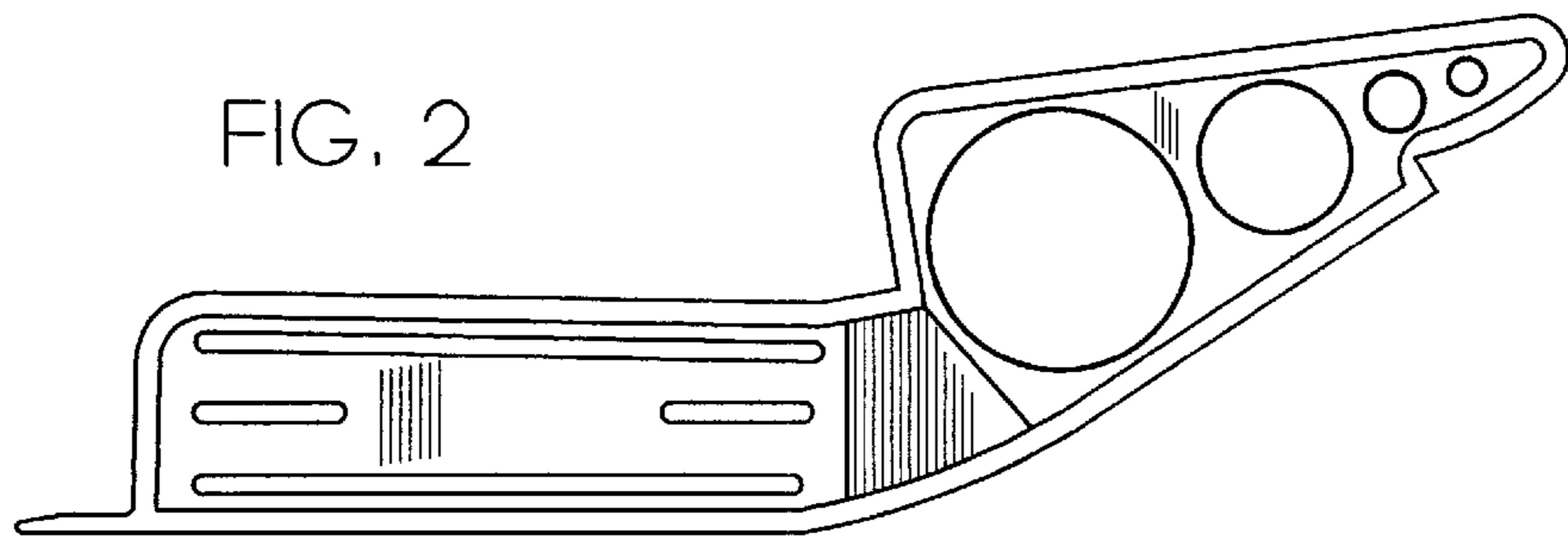


FIG. 2

FIG. 3

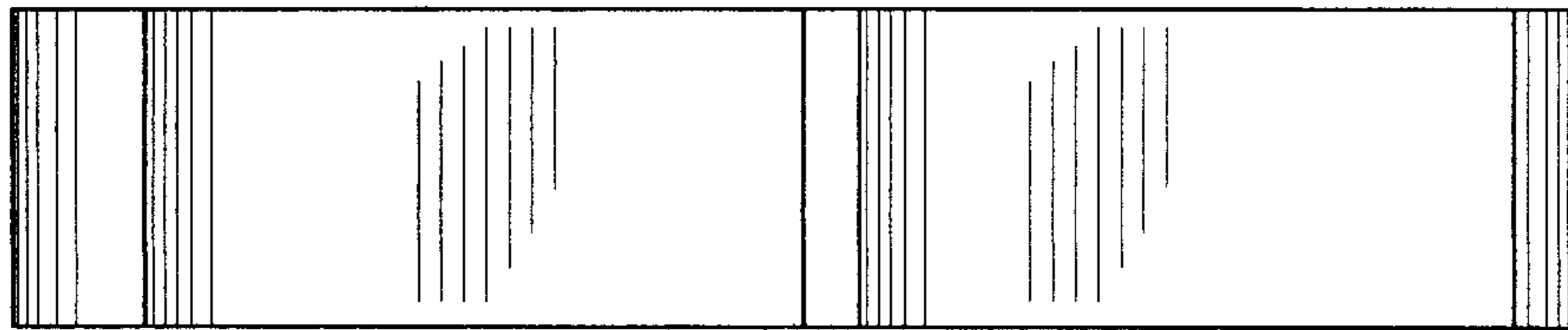


FIG. 4

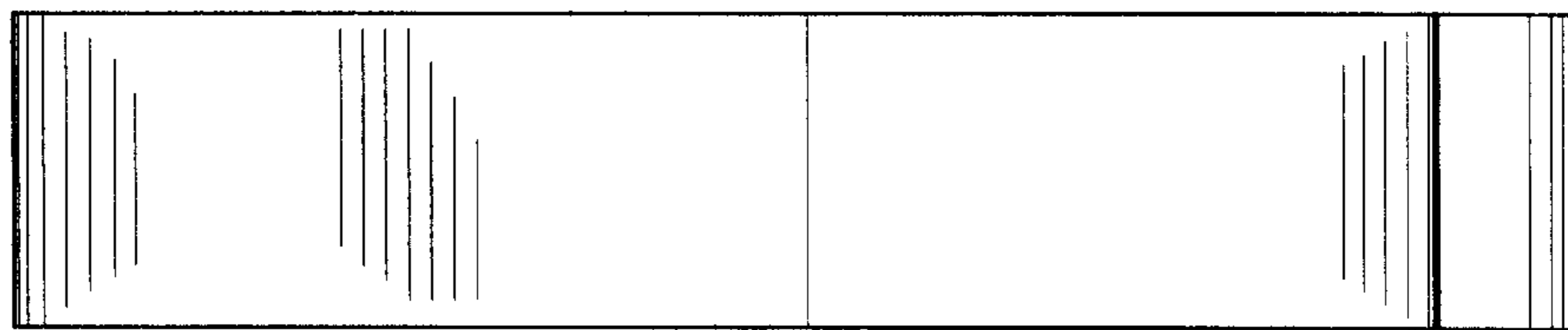


FIG. 5

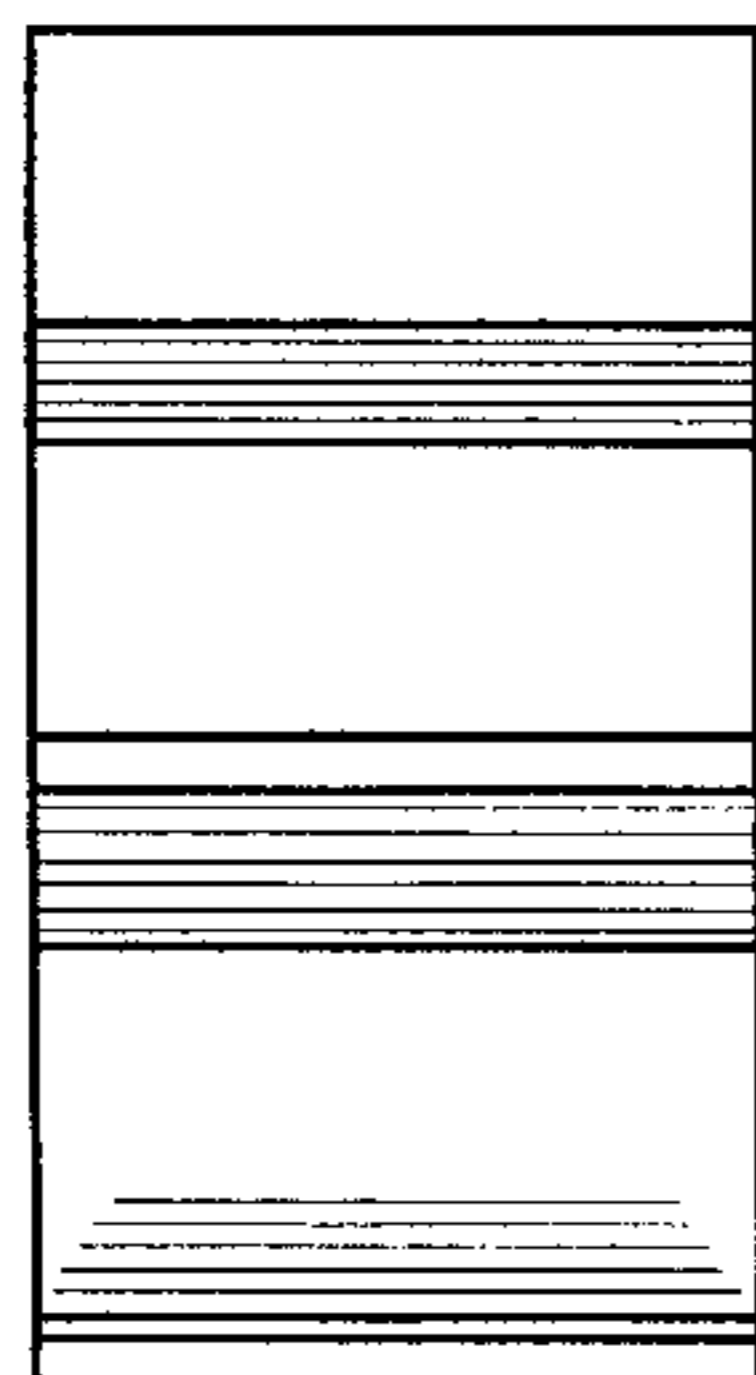


FIG. 6

