



US00D442454S

(12) **United States Design Patent**
Kolpin

(10) **Patent No.:** **US D442,454 S**

(45) **Date of Patent:** **** May 22, 2001**

(54) **SAW PRESS**

(76) **Inventor:** **Ronald N. Kolpin**, 9380 Ladwig La.,
Berlin, WI (US) 54923

(**) **Term:** **14 Years**

(21) **Appl. No.:** **29/132,666**

(22) **Filed:** **Nov. 13, 2000**

(51) **LOC (7) Cl.** **08-05**

(52) **U.S. Cl.** **D8/72**

(58) **Field of Search** D8/71-74, 394;
D15/140; 269/221, 219; 83/471.1, 471.2,
473, 665

(56) **References Cited**

U.S. PATENT DOCUMENTS

D. 277,932	*	3/1985	Baptiste	D8/72
D. 318,409	*	7/1991	Garrett	D8/72
D. 430,783	*	9/2000	Cummings	D8/72
4,456,043	*	6/1984	Stocks	269/221

4,552,345	*	11/1985	Benda et al.	269/221
5,117,722	*	6/1992	Letendre	83/471.1
5,193,428	*	3/1993	Letendre	83/471.2
5,335,898	*	8/1994	Johnson	269/219

* cited by examiner

Primary Examiner—Raphael Barkai

(74) *Attorney, Agent, or Firm*—Gerald E. Helget; Rider,
Bennett, Egan & Arundel

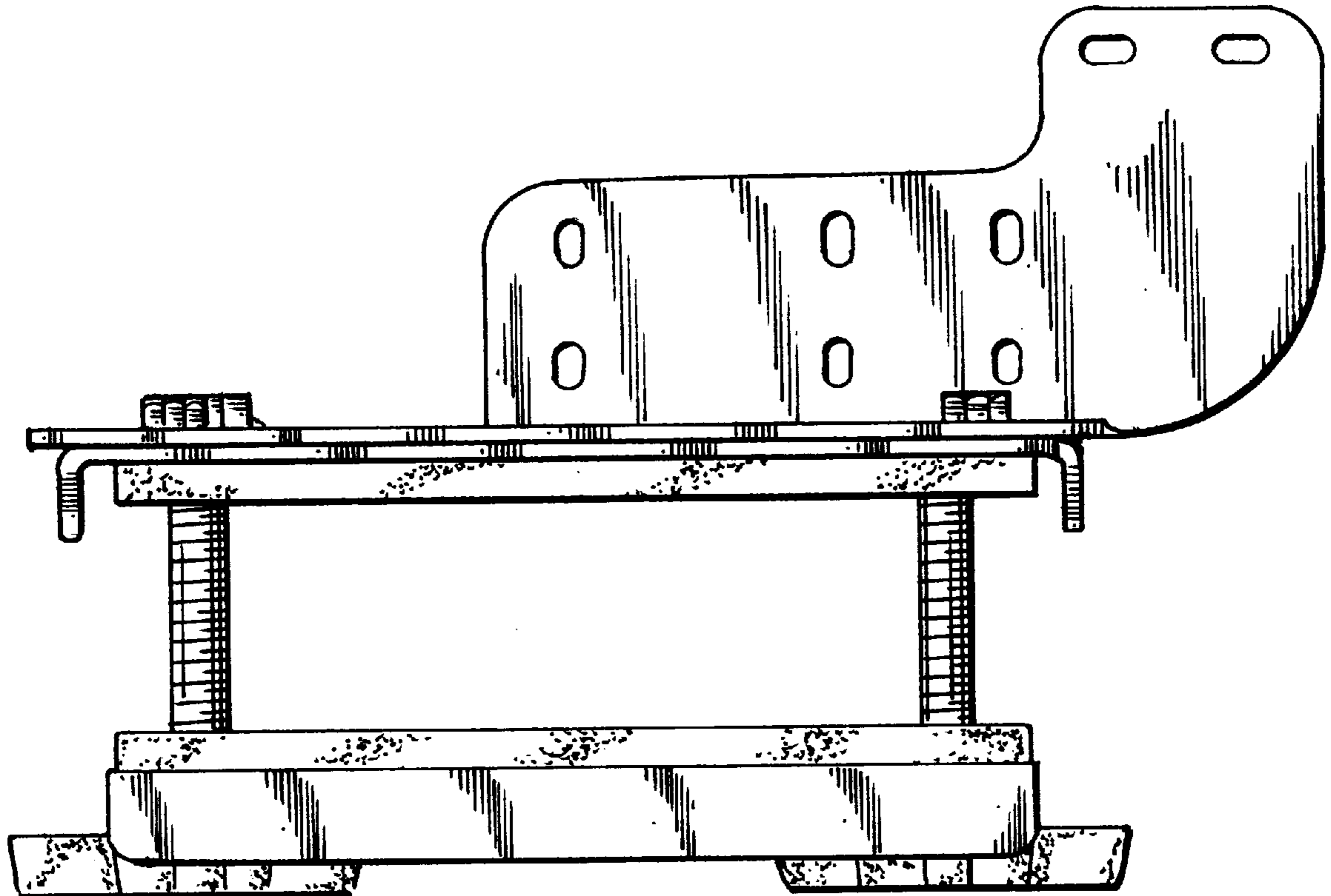
(57) **CLAIM**

The ornamental design for a saw press, as shown and described.

DESCRIPTION

FIG. 1 is a front elevational view showing my new design;
FIG. 2 is a top view;
FIG. 3 is a rear elevational view;
FIG. 4 is a bottom view;
FIG. 5 is a side view; and,
FIG. 6 is a side view.

1 Claim, 3 Drawing Sheets



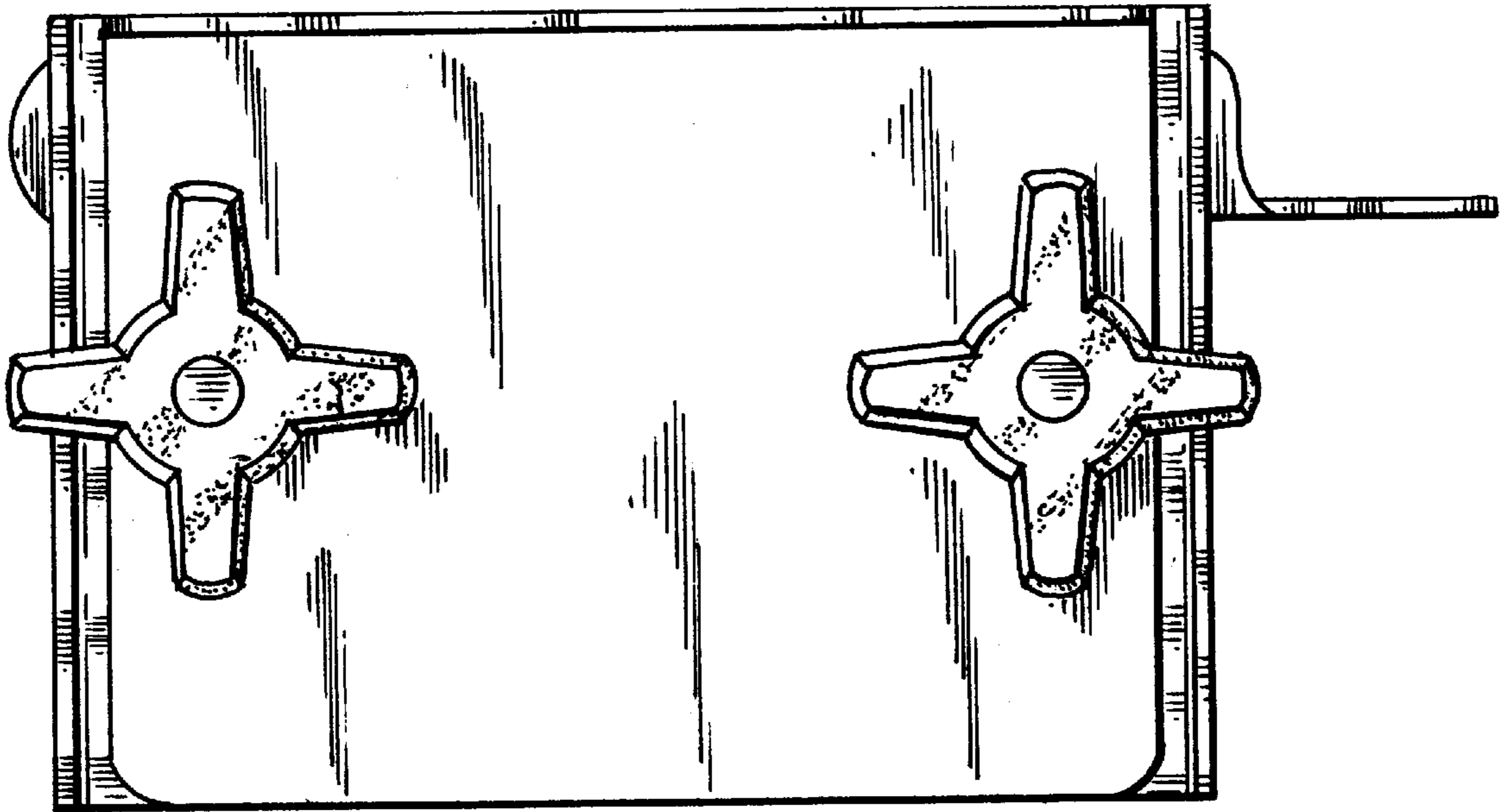


Fig. 1.

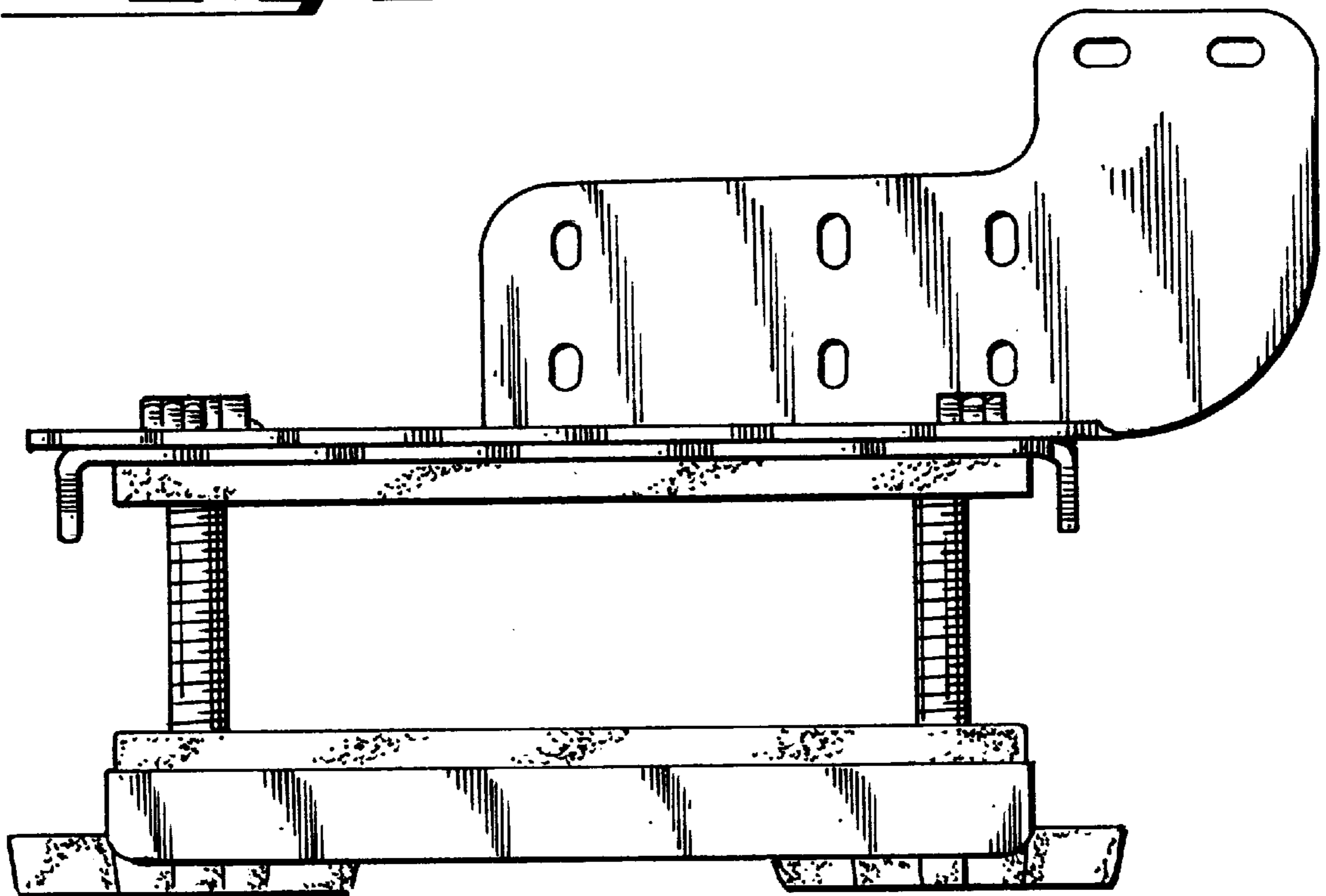


Fig. 2.

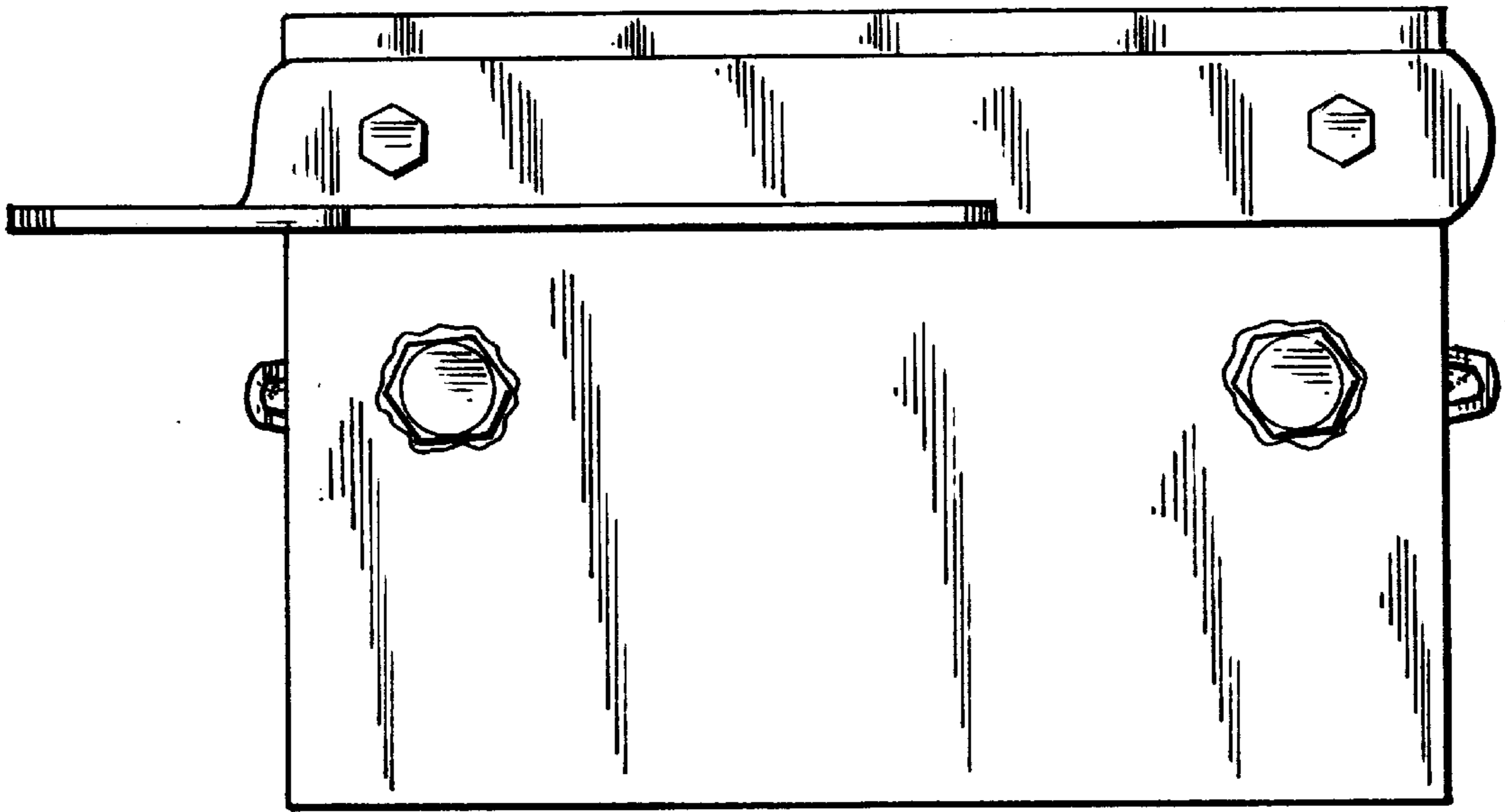


Fig. 3.

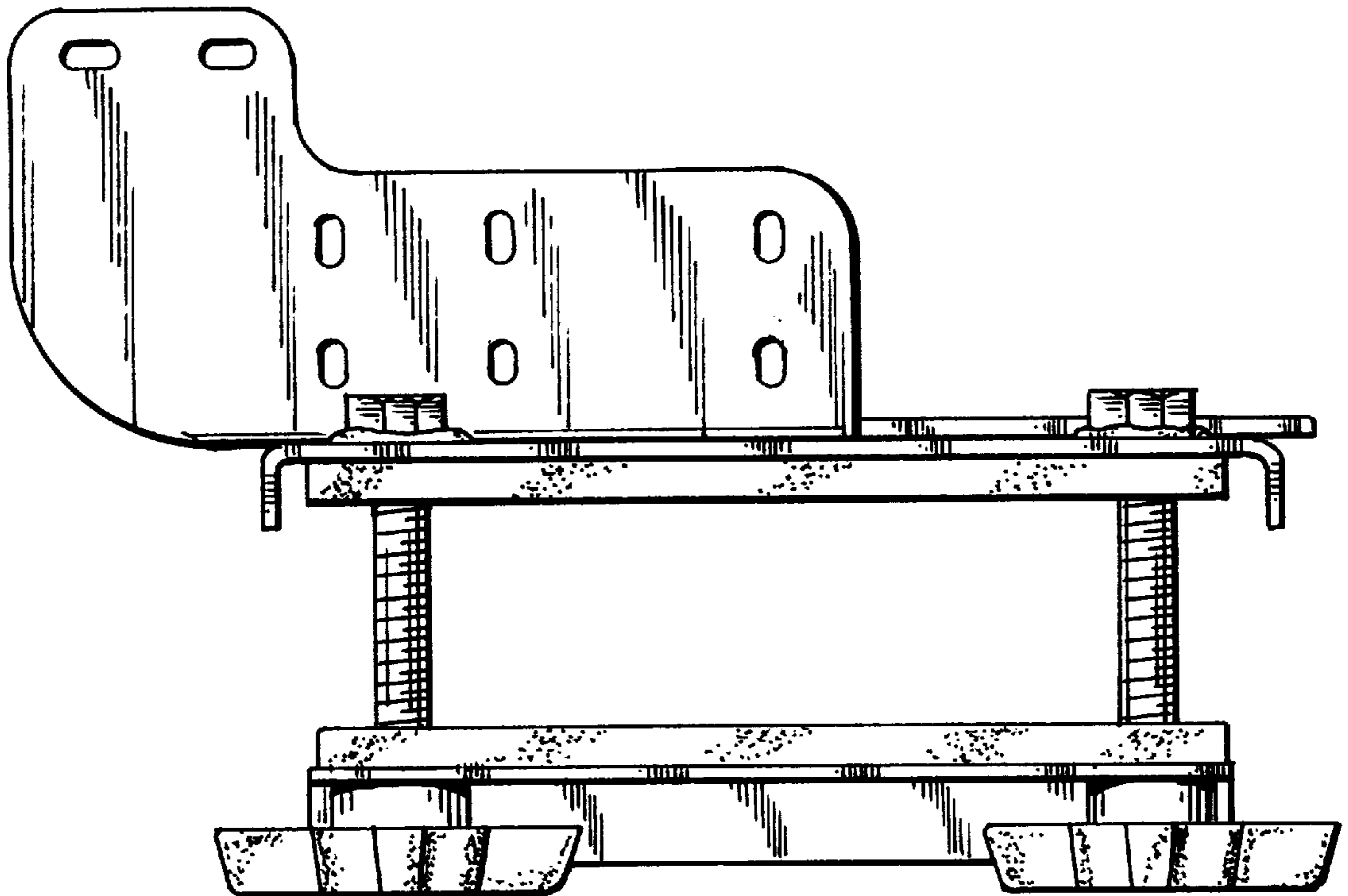


Fig. 4.

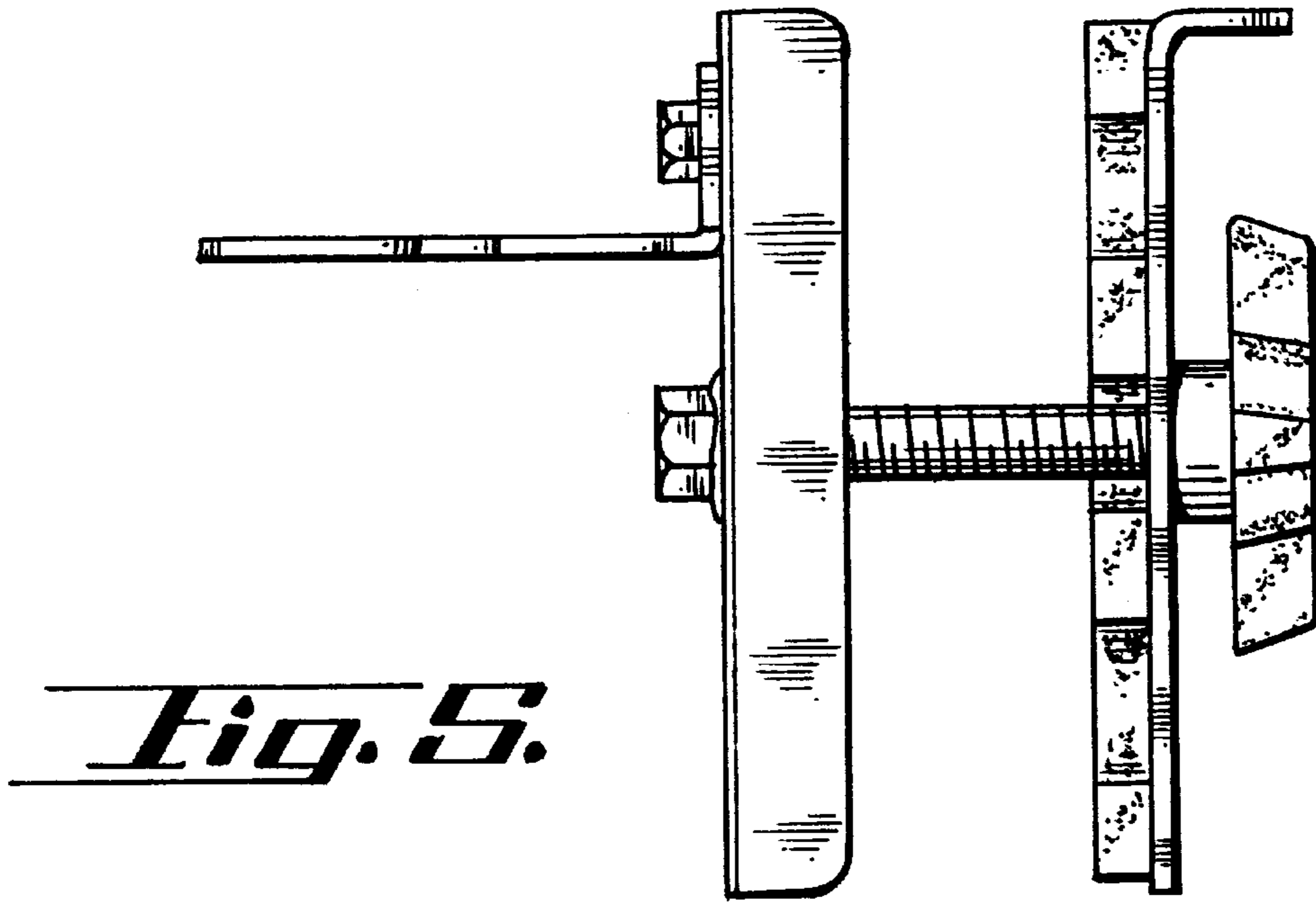


Fig. 5.

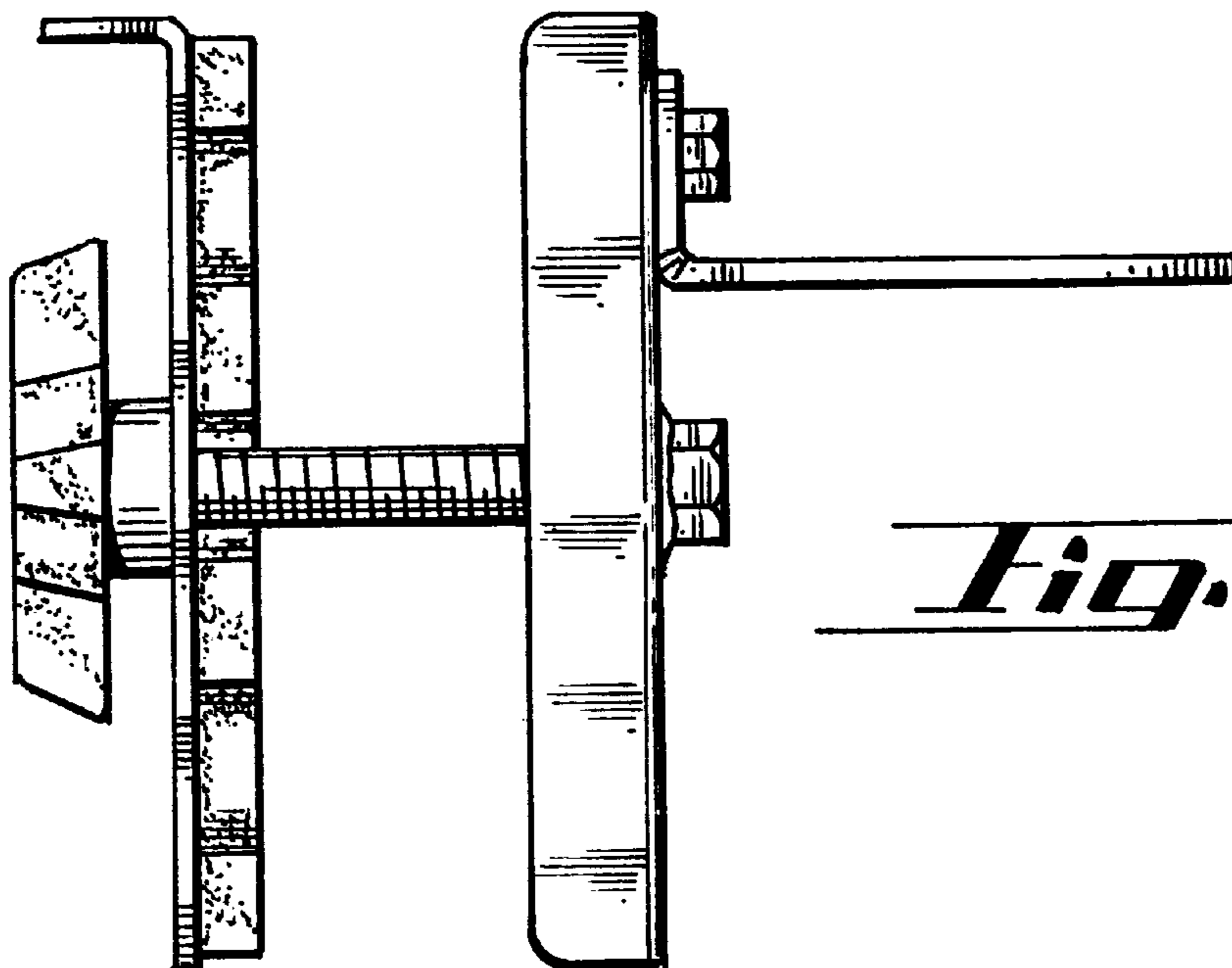


Fig. 6.