



US00D442451S

(12) **United States Design Patent**  
**Berg**

(10) **Patent No.:** **US D442,451 S**

(45) **Date of Patent:** **\*\* May 22, 2001**

(54) <b>JAWS FOR FOLDING PLIERS</b>	5,503,049	4/1996	Chervenak et al. ....	81/427.5
(75) Inventor: <b>Howard G. Berg</b> , Gresham, OR (US)	5,745,997	5/1998	Berg et al. ....	30/155
	6,019,020	2/2000	Liou .....	81/407

(73) Assignee: **Leatherman Tool Group, Inc.**,  
Portland, OR (US)

(\*\*) Term: **14 Years**

(21) Appl. No.: **29/113,355**

(22) Filed: **Nov. 2, 1999**

(51) **LOC (7) Cl.** ..... **08-05**

(52) **U.S. Cl.** ..... **D8/52**

(58) **Field of Search** ..... D8/51, 55, 52,  
D8/58, 105; 81/385, 405, 407-409, 411,  
415-418, 427.5; 7/125

(56) **References Cited**

**U.S. PATENT DOCUMENTS**

D. 260,476	9/1981	Knaus .....	D8/55
D. 367,807	3/1996	Hung .....	D8/105
D. 385,170	10/1997	Rivera .....	D8/52
D. 414,393	9/1999	Berg et al. ....	D8/55
4,044,413	8/1977	Tucker et al. ....	7/3
4,546,680	10/1985	Petersen .....	81/418
4,793,224	12/1988	Huang .....	81/385

*Primary Examiner*—Alan P. Douglas  
*Assistant Examiner*—Reid Hecker  
(74) *Attorney, Agent, or Firm*—Chernoff, Vilhauer,  
McClung & Stenzel, LLP

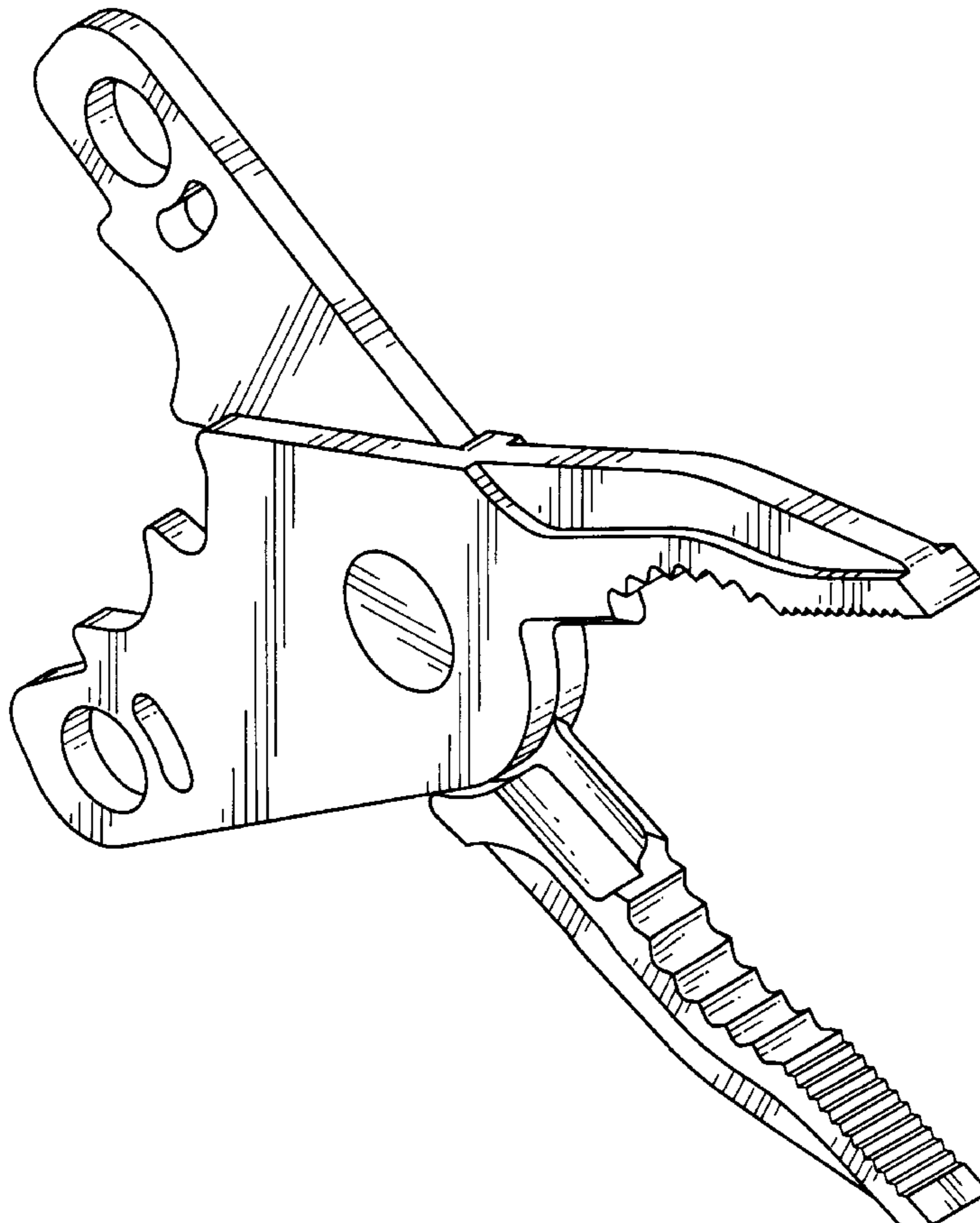
(57) **CLAIM**

The ornamental design for jaws for folding pliers, as shown and described.

**DESCRIPTION**

FIG. 1 is an isometric view from the upper right front of a pair of jaws for folding pliers showing my new design, in a closed position;  
FIG. 2 is an isometric view from the upper right front of the pair of jaws shown in FIG. 1, in an opened position;  
FIG. 3 is a right side elevational view of the jaws as shown in FIG. 1, the left side elevational view thereof being identical thereto;  
FIG. 4 is a top plan view thereof, the bottom plan view thereof being identical thereto;  
FIG. 5 is a rear end elevational view thereof; and,  
FIG. 6 is a front end elevational view thereof.

**1 Claim, 2 Drawing Sheets**



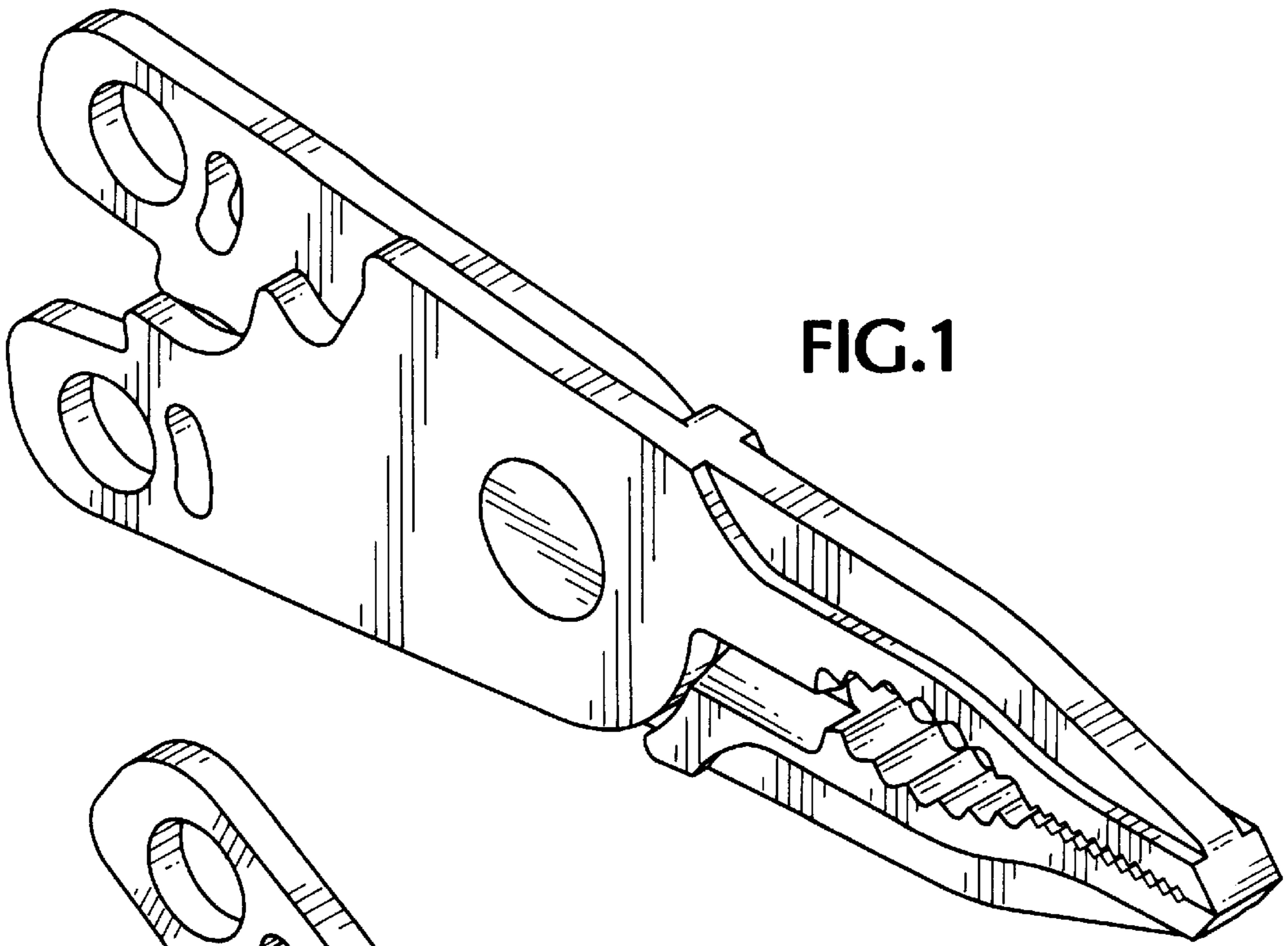


FIG.1

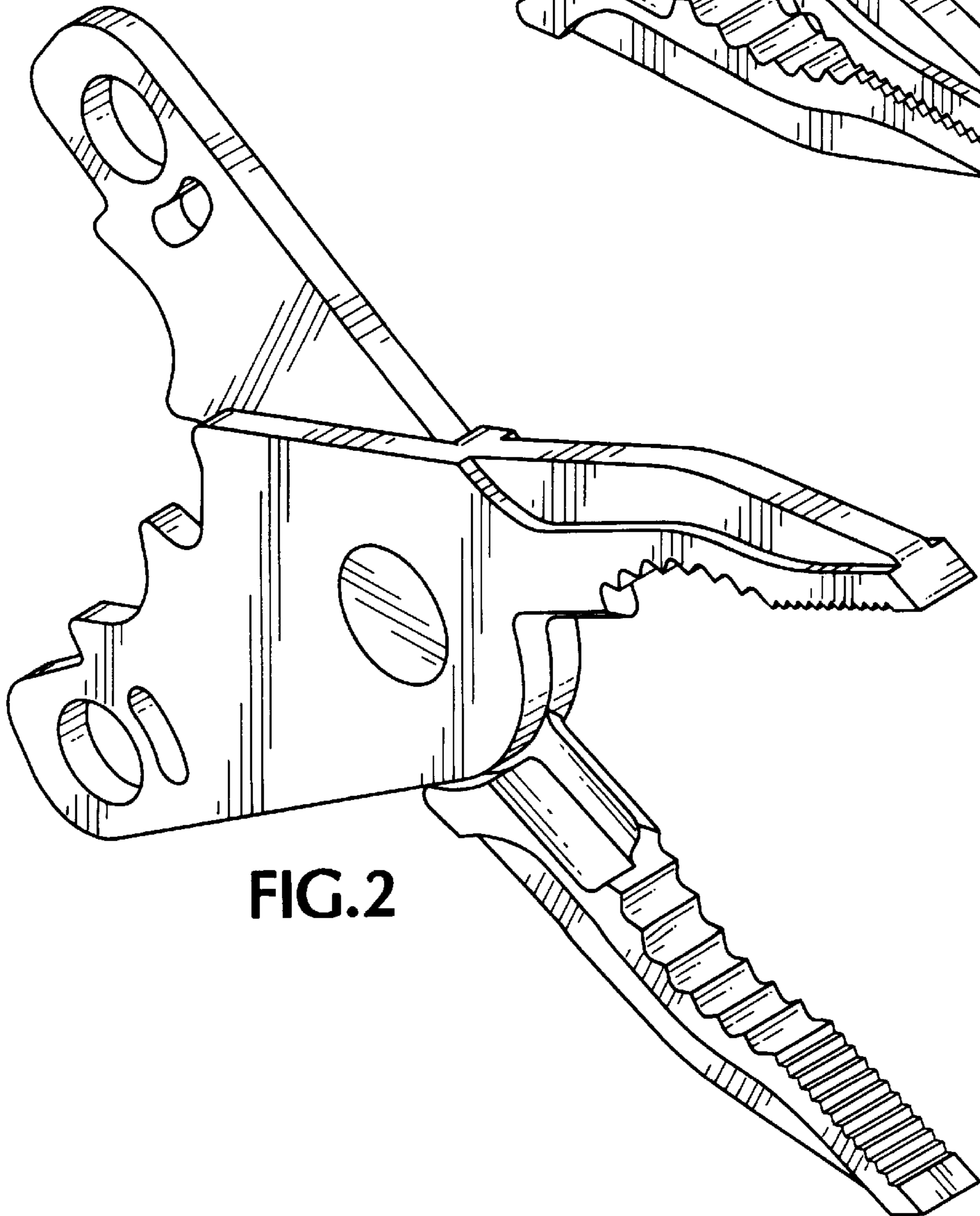


FIG.2

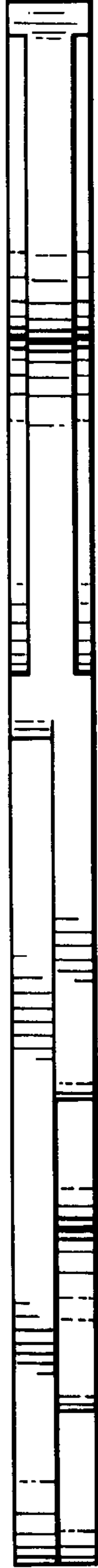


FIG. 4



FIG. 6

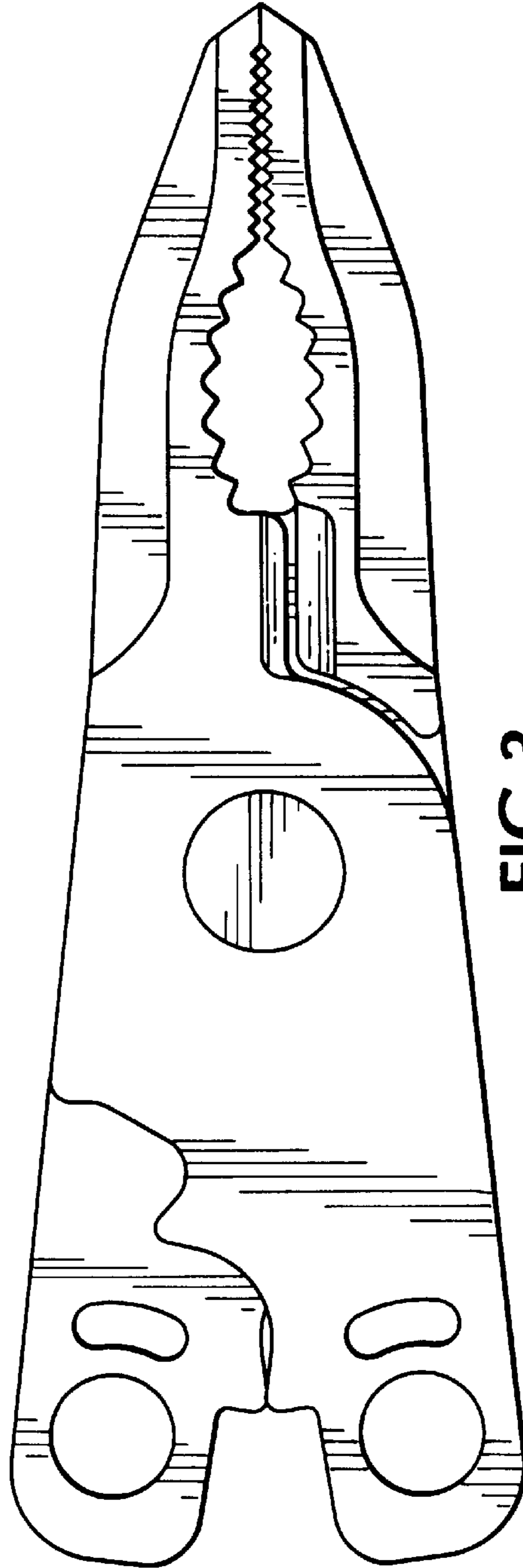


FIG. 3



FIG. 5