



US00D442450S

(12) **United States Design Patent**
Larson

(10) **Patent No.:** **US D442,450 S**

(45) **Date of Patent:** **** May 22, 2001**

- (54) **ARROWHEAD REMOVER AND CASE**
- (76) Inventor: **Guy E Larson**, 212 5th Ave., Milton, WA (US) 98354
- (**) Term: **14 Years**
- (21) Appl. No.: **29/130,649**
- (22) Filed: **Oct. 6, 2000**
- (51) **LOC (7) Cl.** **08-05**
- (52) **U.S. Cl.** **D8/51; D22/115; D3/262**
- (58) **Field of Search** **D8/14, 51; D22/115; 29/254, 255, 427; 173/191; D3/220, 262**

5,416,963	*	5/1995	Boynton	29/264
5,504,982		4/1996	Sharp	29/255
5,934,001		8/1999	Pace et al.	42/95

* cited by examiner

Primary Examiner—Philip S. Hyder

(57) **CLAIM**

The ornamental design for an arrowhead remover and case, as shown and described.

DESCRIPTION

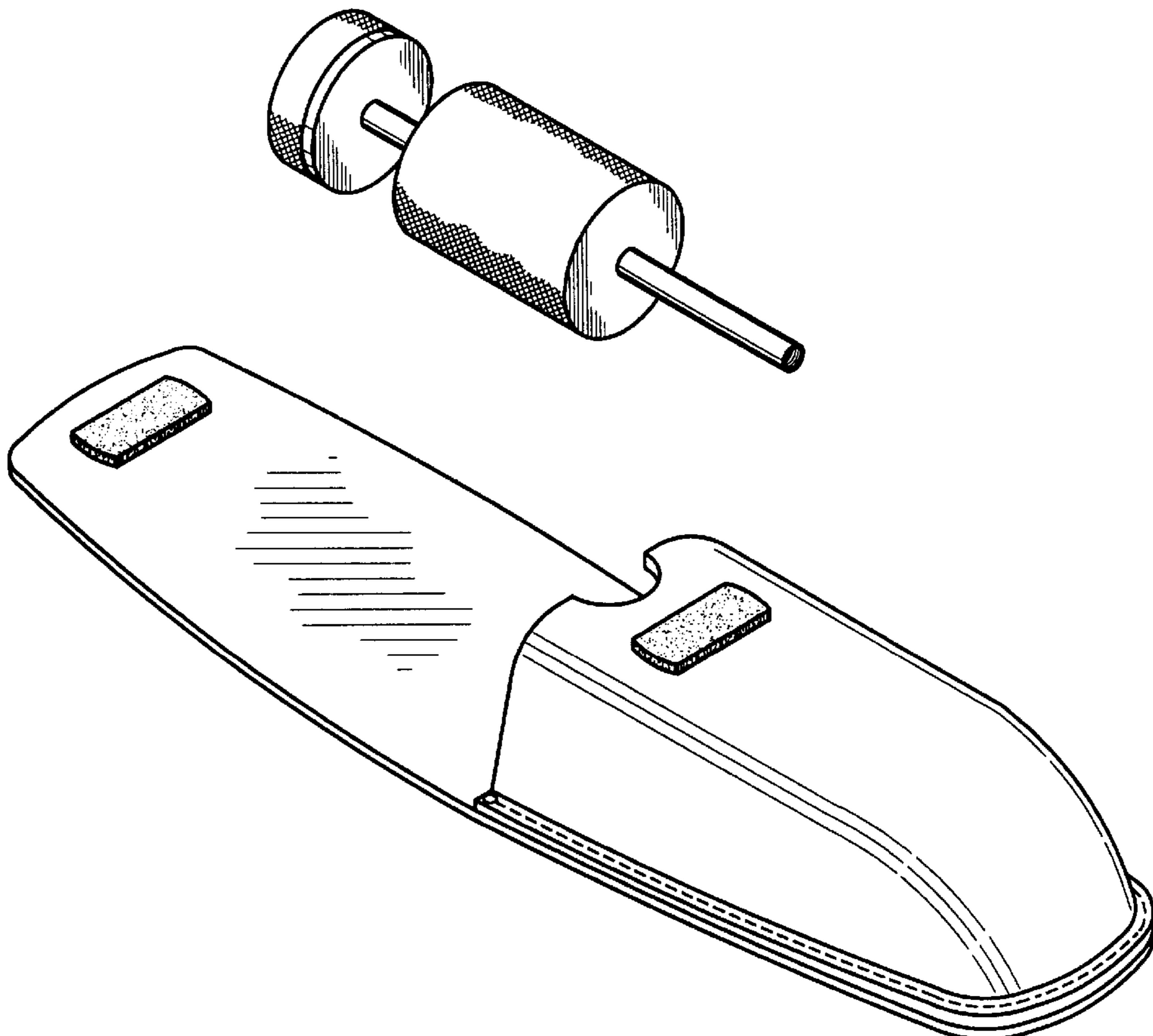
FIG. 1 is a front elevational view of the arrowhead remover and case of the present invention;
 FIG. 2 is a rear elevational view of the arrowhead remover and case of FIG. 1;
 FIG. 3 is a left side elevational view of the arrowhead remover and case of FIG. 1, the right view being a mirror image thereof;
 FIG. 4 is a top plan view of the arrowhead remover and case of FIG. 1;
 FIG. 5 is a bottom plan view of the arrowhead remover and case of FIG. 1; and,
 FIG. 6 is a front, left side perspective view of the arrowhead remover and case of FIG. 1.

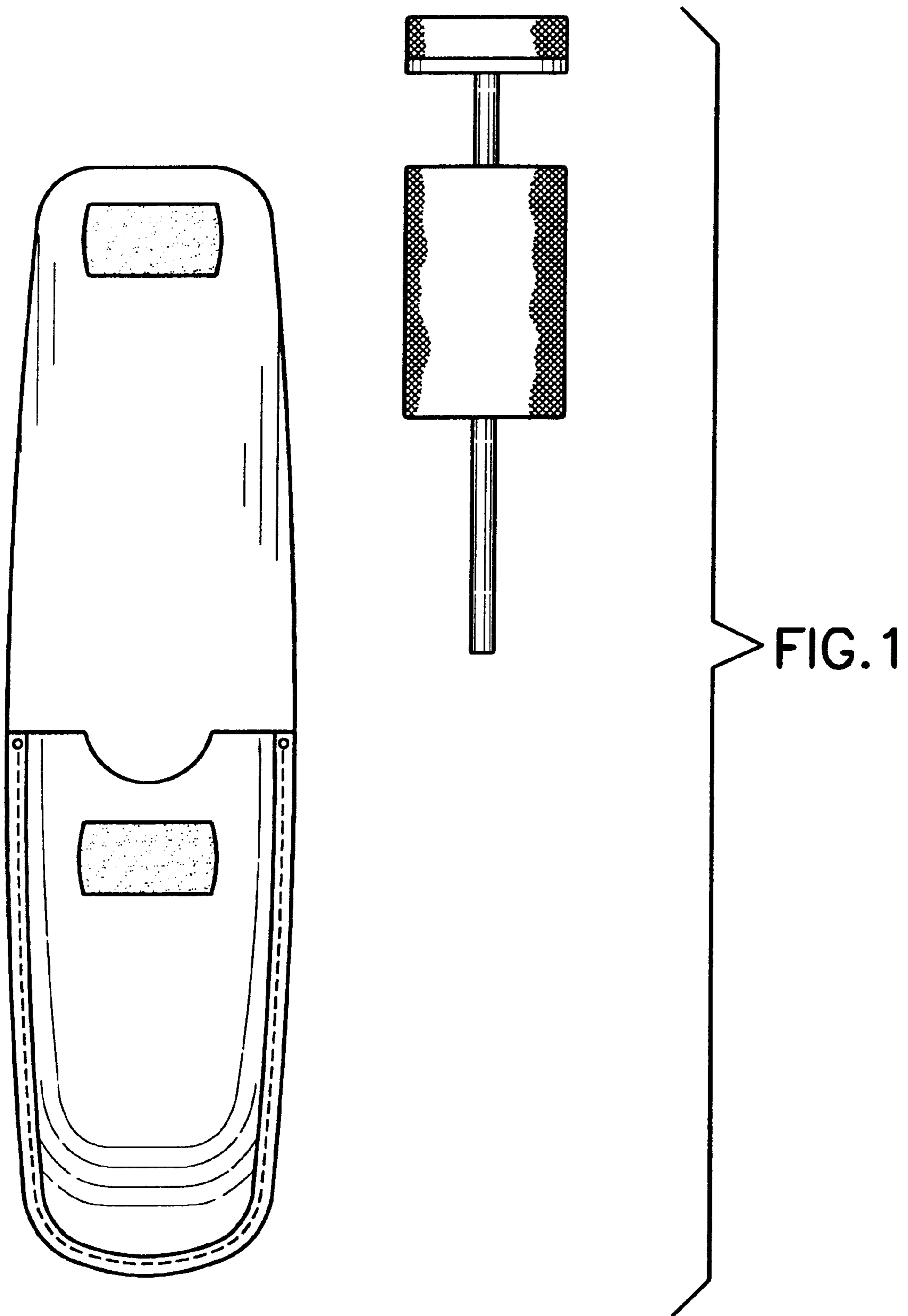
(56) **References Cited**

U.S. PATENT DOCUMENTS

D. 324,631	*	3/1992	Perry	D8/51
D. 347,045		5/1994	Tomblin	D22/115
D. 363,199	*	10/1995	Domagala	D8/51
D. 365,972	*	1/1996	Mills et al.	D8/51
D. 373,170	*	8/1996	Kosa	D22/115
3,570,289	*	3/1971	Smyers	173/91
4,043,020		8/1977	Hoggard	29/427
4,125,927		11/1978	Geary	29/254
4,476,598		10/1984	Beauregard	7/170
5,295,291	*	3/1994	Harris	29/274

1 Claim, 5 Drawing Sheets





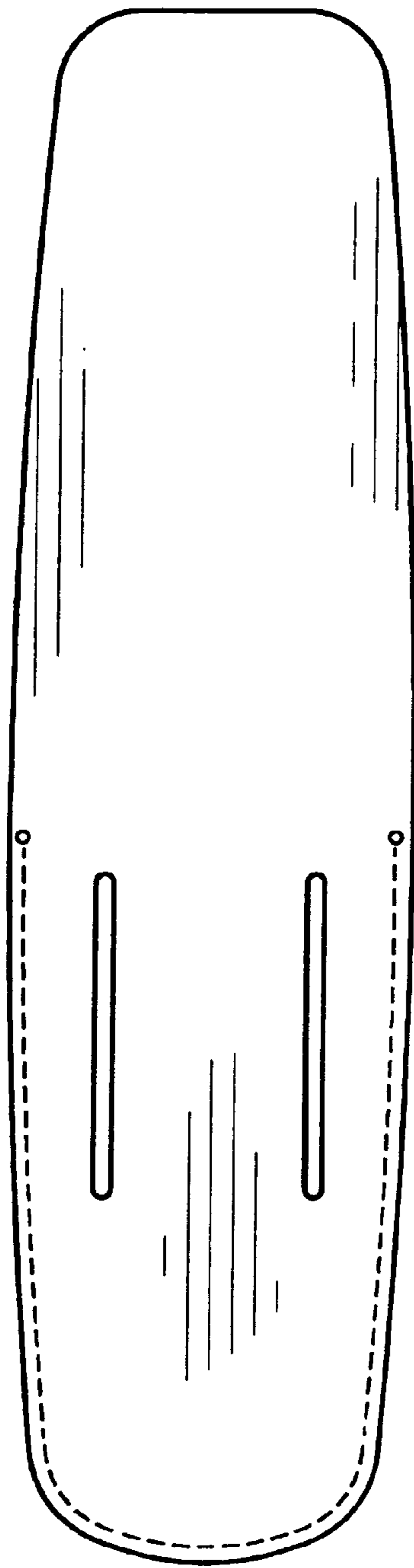
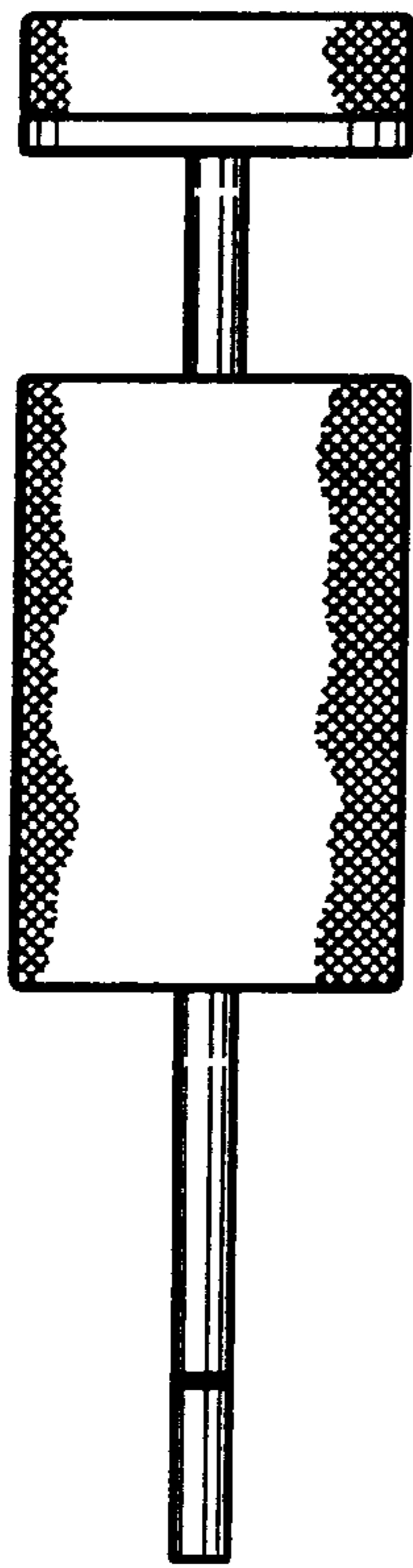


FIG.2

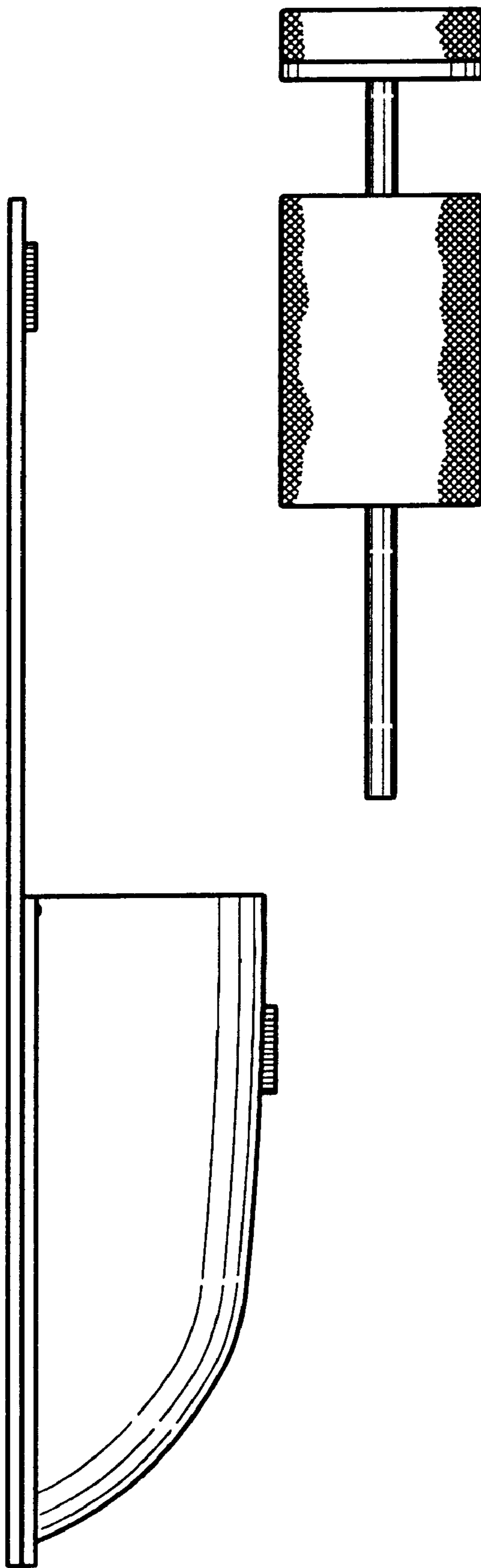


FIG. 3

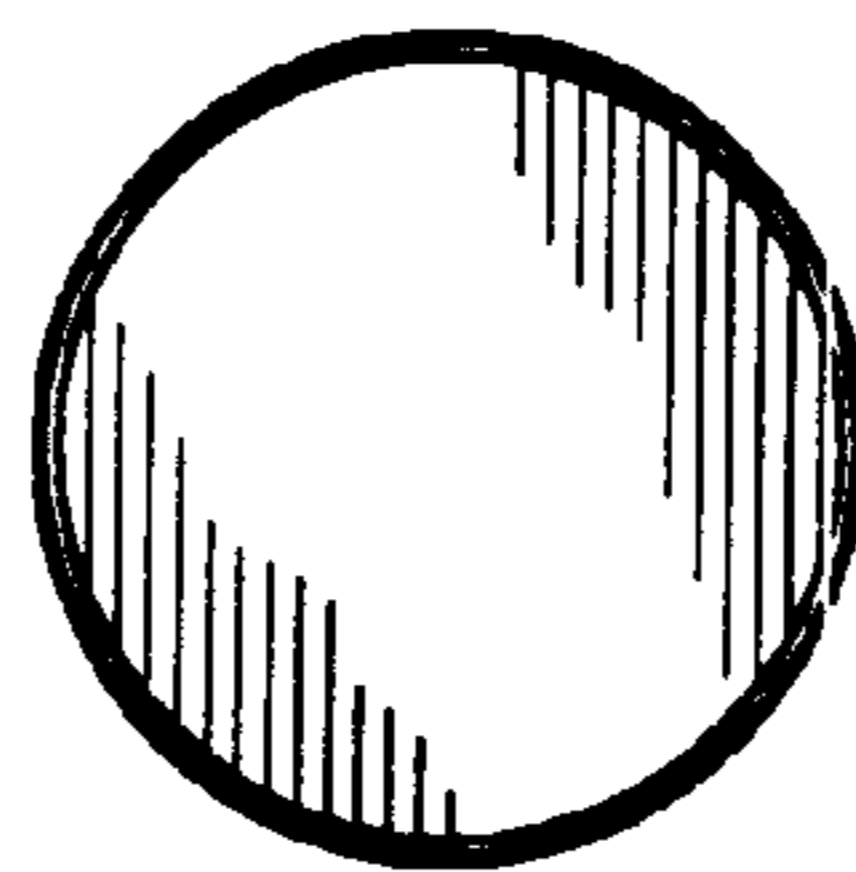
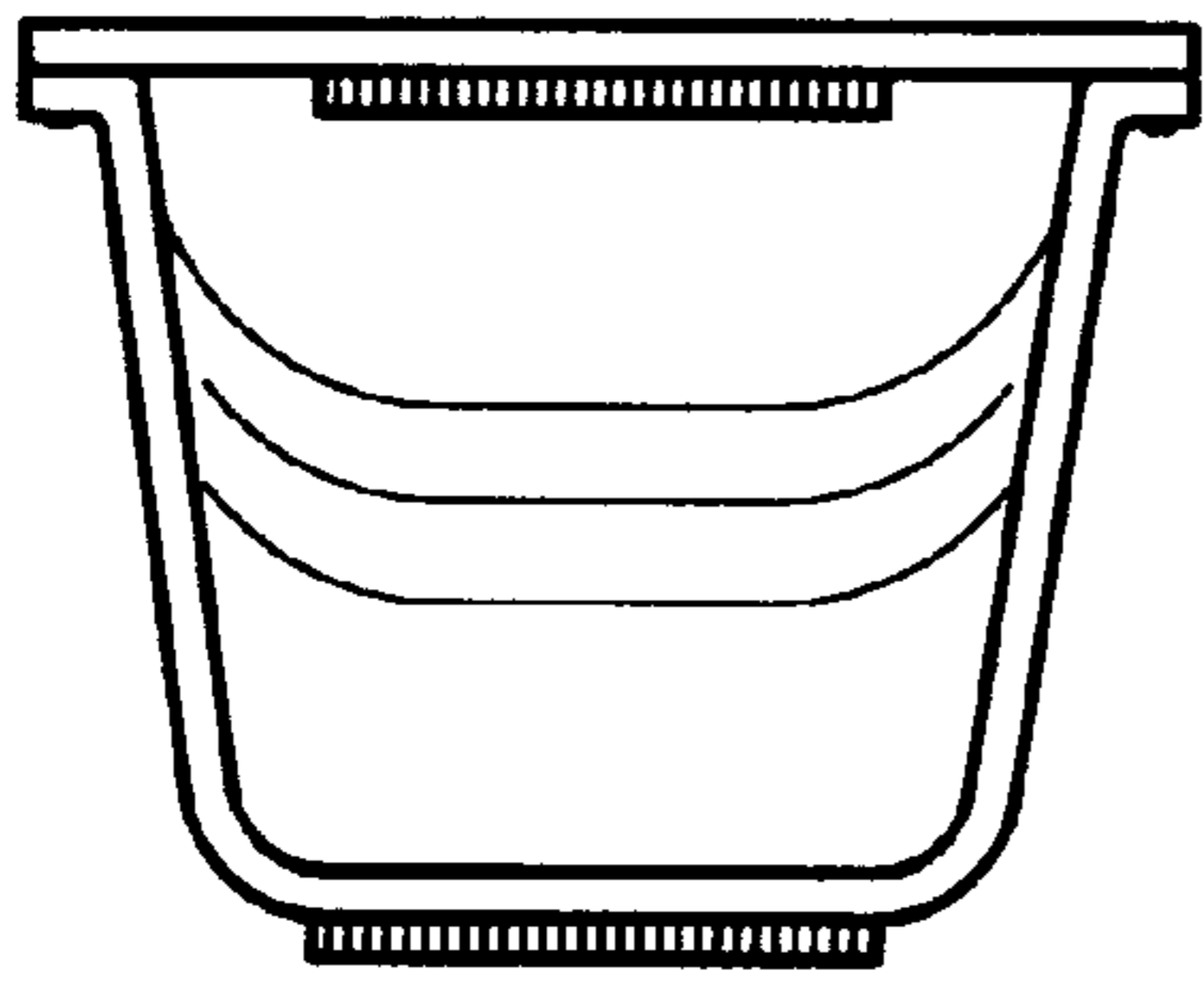


FIG. 4

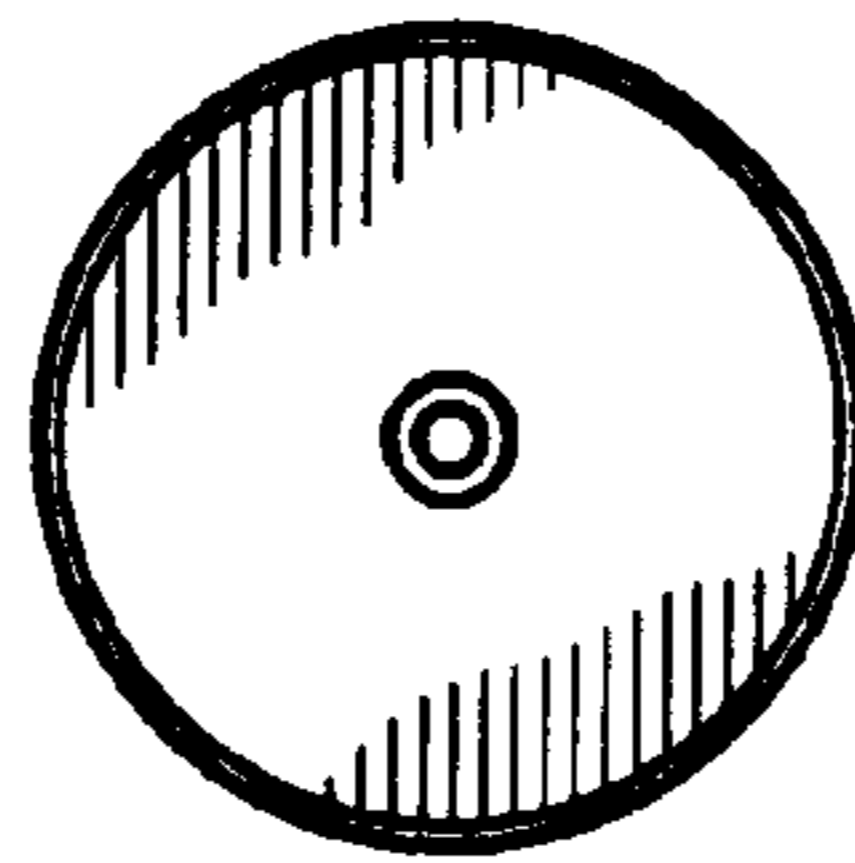


FIG. 5

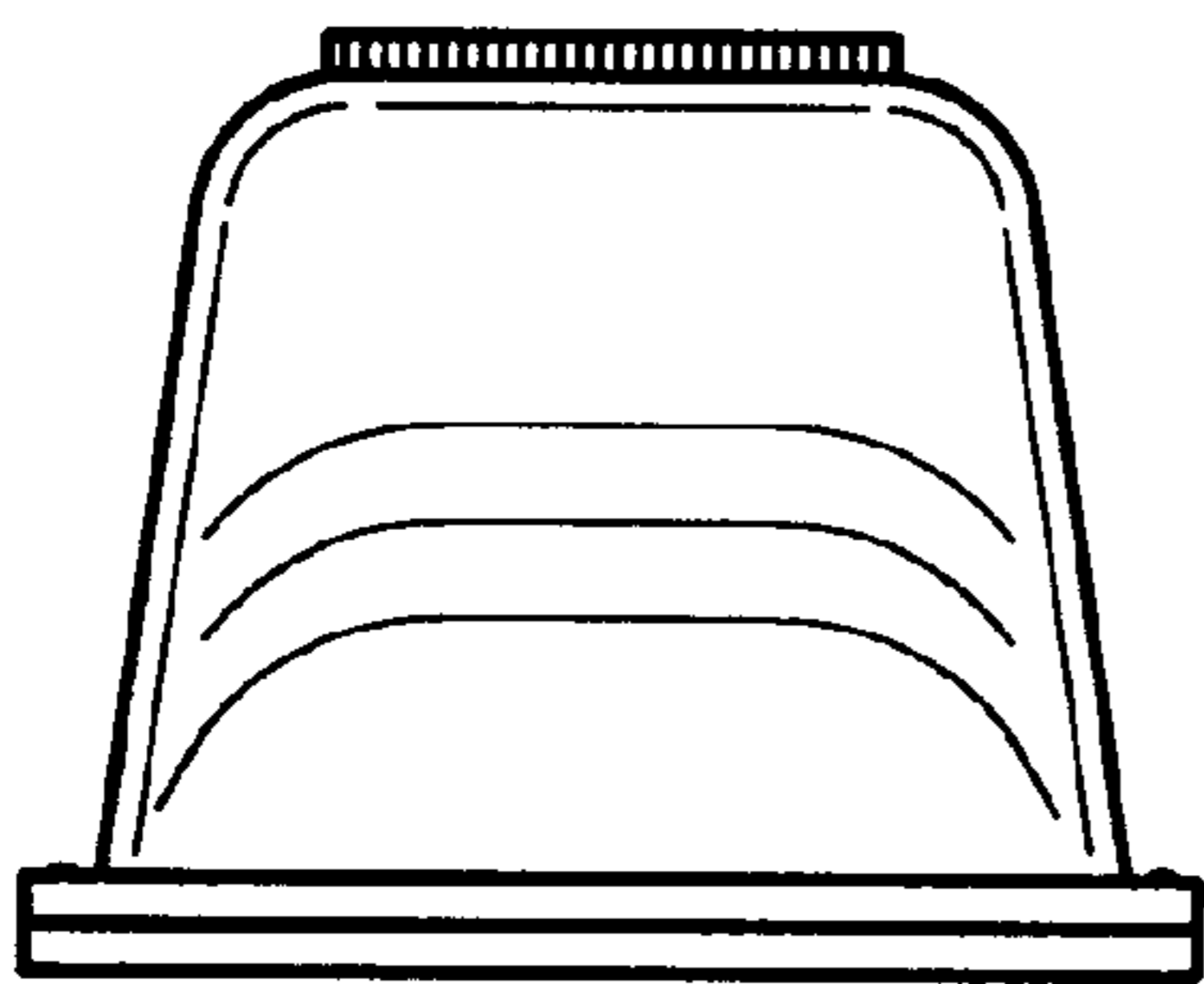


FIG. 6

