



US00D442449S

(12) **United States Design Patent**
McQuillan

(10) **Patent No.:** **US D442,449 S**

(45) **Date of Patent:** **** May 22, 2001**

(54) **BOTTLE OPENER**

(76) **Inventor:** **Robert J. McQuillan**, 6895 Balsam Street, Vancouver, BC (CA), V6P 5W9

(**) **Term:** **14 Years**

(21) **Appl. No.:** **29/120,941**

(22) **Filed:** **Mar. 30, 2000**

(51) **LOC (7) Cl.** **07-99**

(52) **U.S. Cl.** **D8/40**

(58) **Field of Search** D8/33-43, 18, D8/19; 30/400-443; 81/3.07-3.49; 7/151-156

(56) **References Cited**

U.S. PATENT DOCUMENTS

D. 261,854	*	11/1981	Nielsen	D8/40
D. 277,725	*	2/1985	Silkebakken et al.	D8/40
D. 287,093	*	12/1986	Ryan	D8/34
D. 289,364	*	4/1987	Bass	D8/34
D. 296,978	*	8/1988	Smith	D8/34
D. 303,345	*	9/1989	Sawatsky et al.	D8/40
D. 407,283	*	3/1999	Schwab	D8/40
3,736,817	*	6/1973	Huff	81/3.15

3,812,741	*	5/1974	Heine	81/3.4
4,414,865	*	11/1983	Brooks et al.	81/3.09
4,455,894	*	6/1984	Roberts	81/3.09
4,633,740	*	1/1987	Jacobs	81/3.09
4,846,024	*	7/1989	Bryant et al.	81/3.09
4,967,622	*	11/1990	Phillips	81/3.09

* cited by examiner

Primary Examiner—Jeffrey Asch

(74) *Attorney, Agent, or Firm*—Siemens Patent Services, LC

(57) **CLAIM**

The ornamental design for a bottle opener, as shown.

DESCRIPTION

FIG. 1 is a perspective view of a bottle opener showing my new design;

FIG. 2 is a top plan view thereof;

FIG. 3 is a right side lateral elevational view thereof;

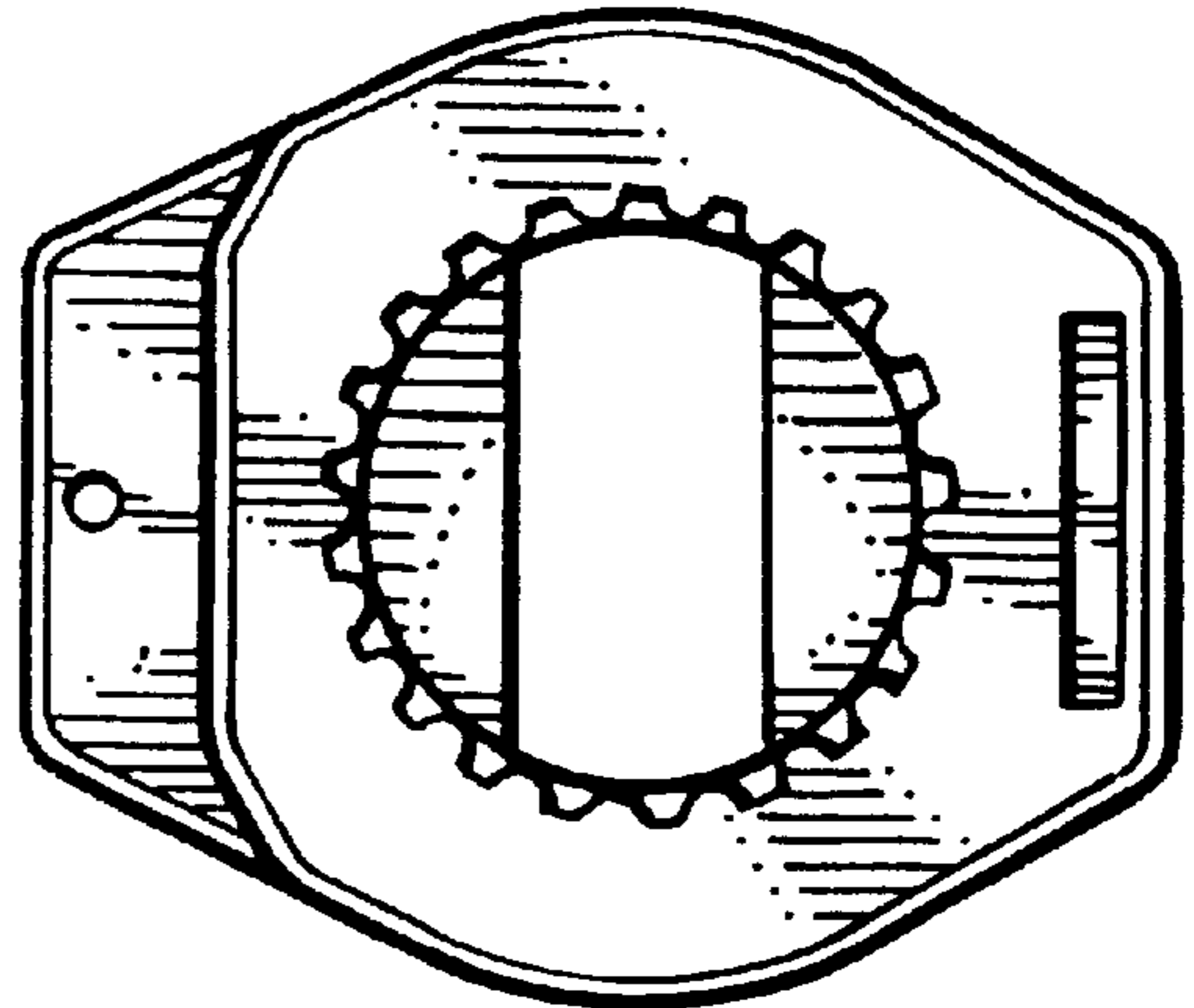
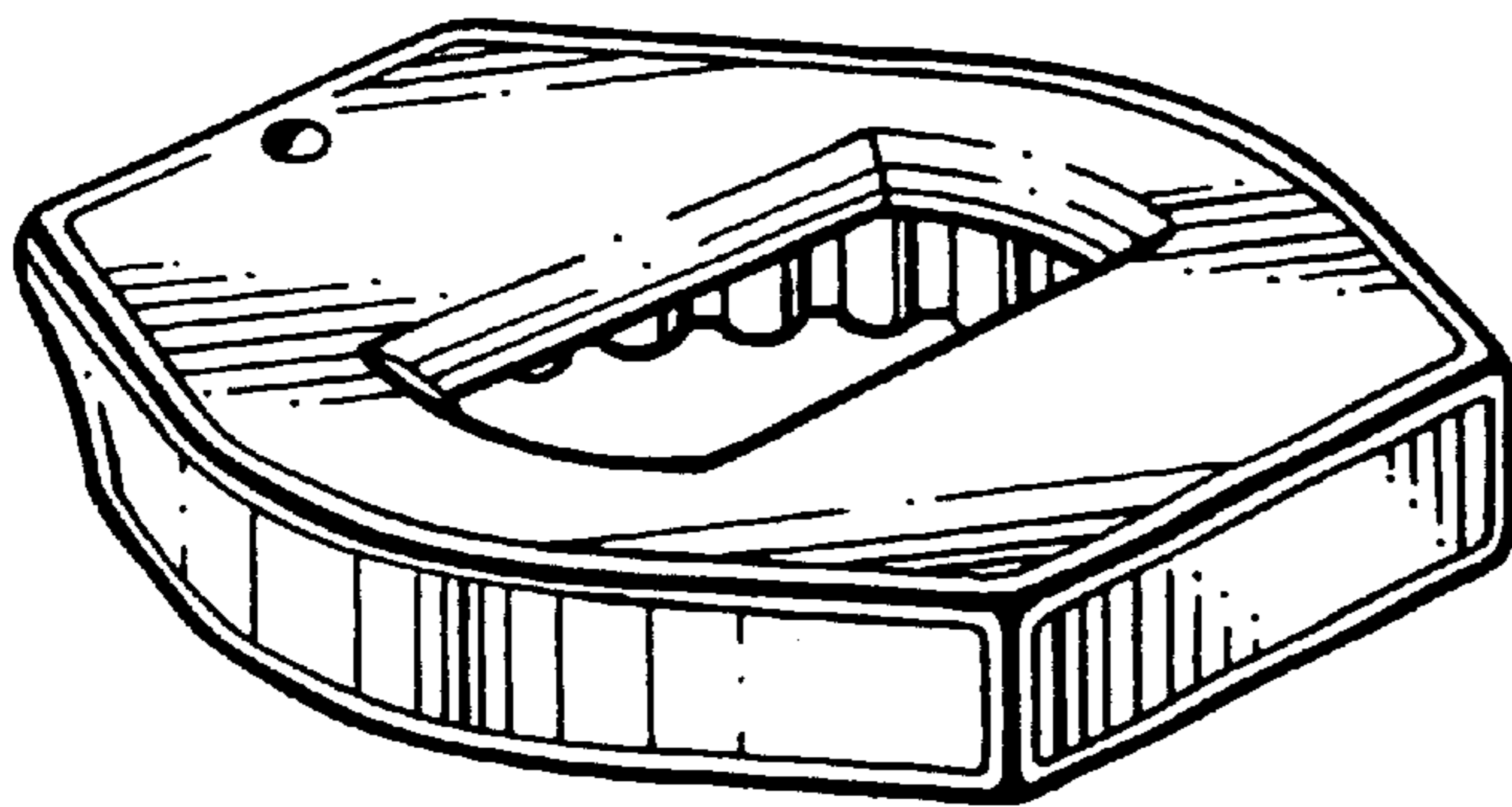
FIG. 4 is a bottom plan view thereof;

FIG. 5 is a left side elevational view thereof;

FIG. 6 is a rear elevational view thereof; and,

FIG. 7 is a front elevational view thereof.

1 Claim, 2 Drawing Sheets



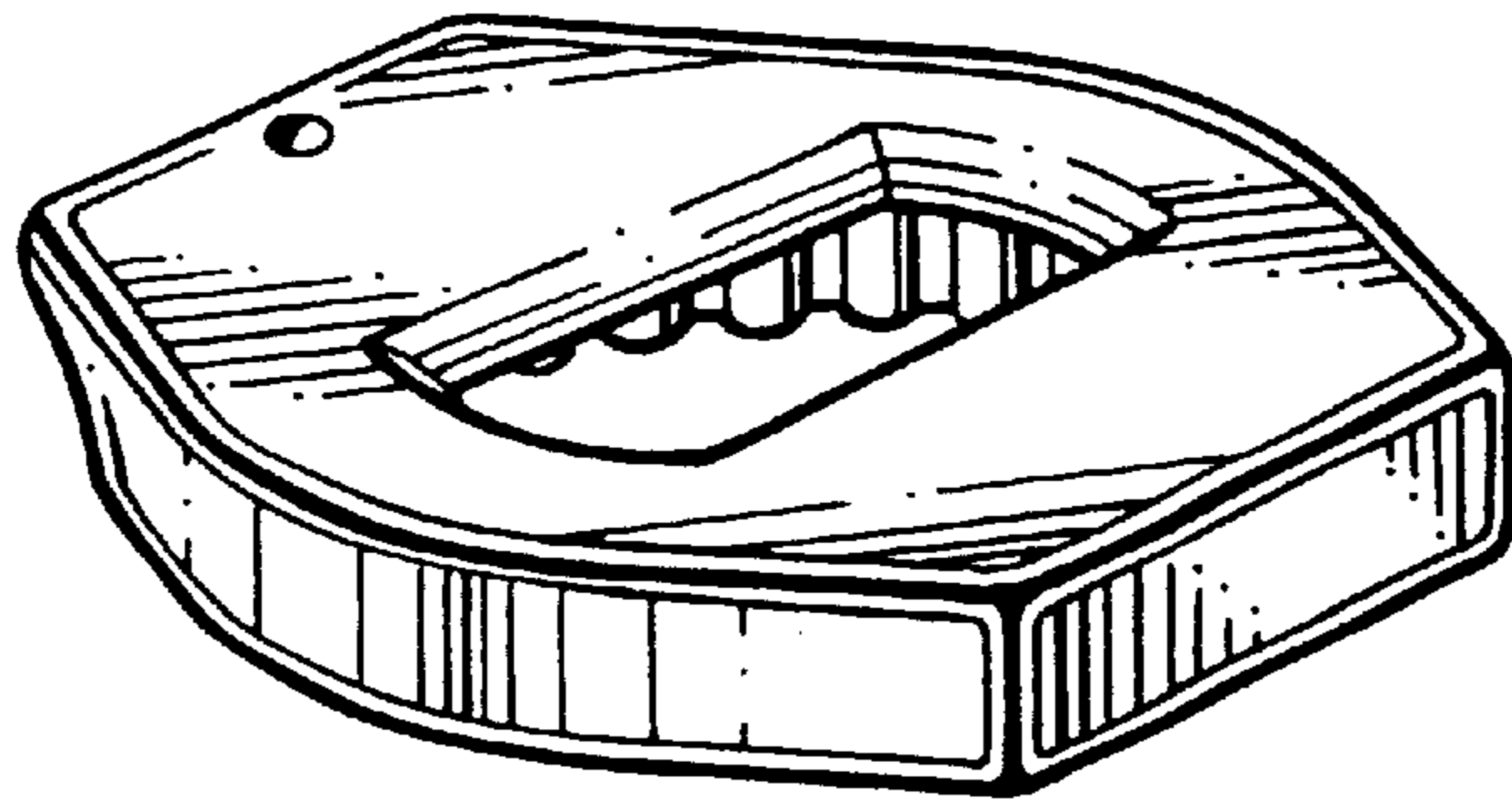


FIG. 1

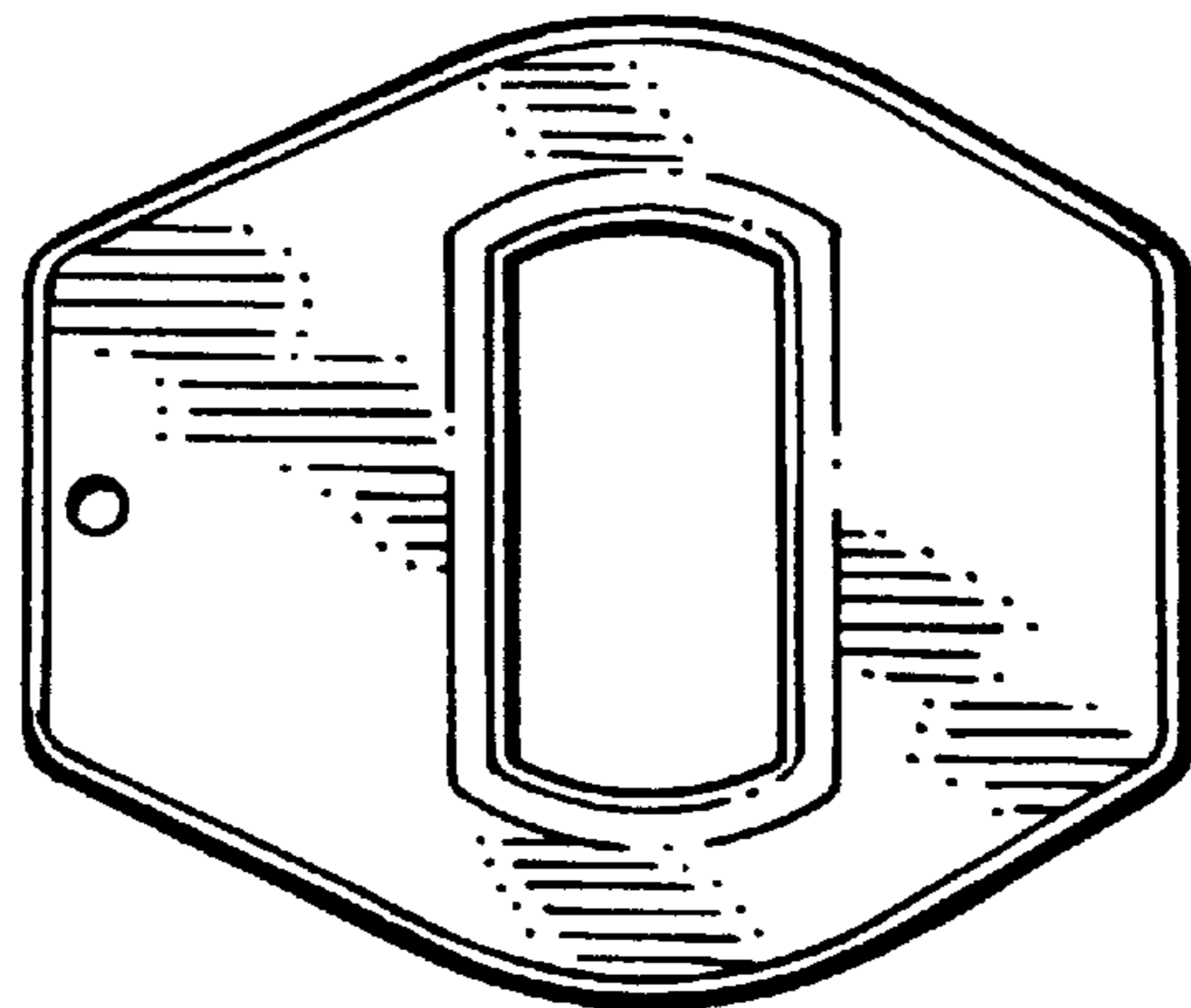


FIG. 2



FIG. 3

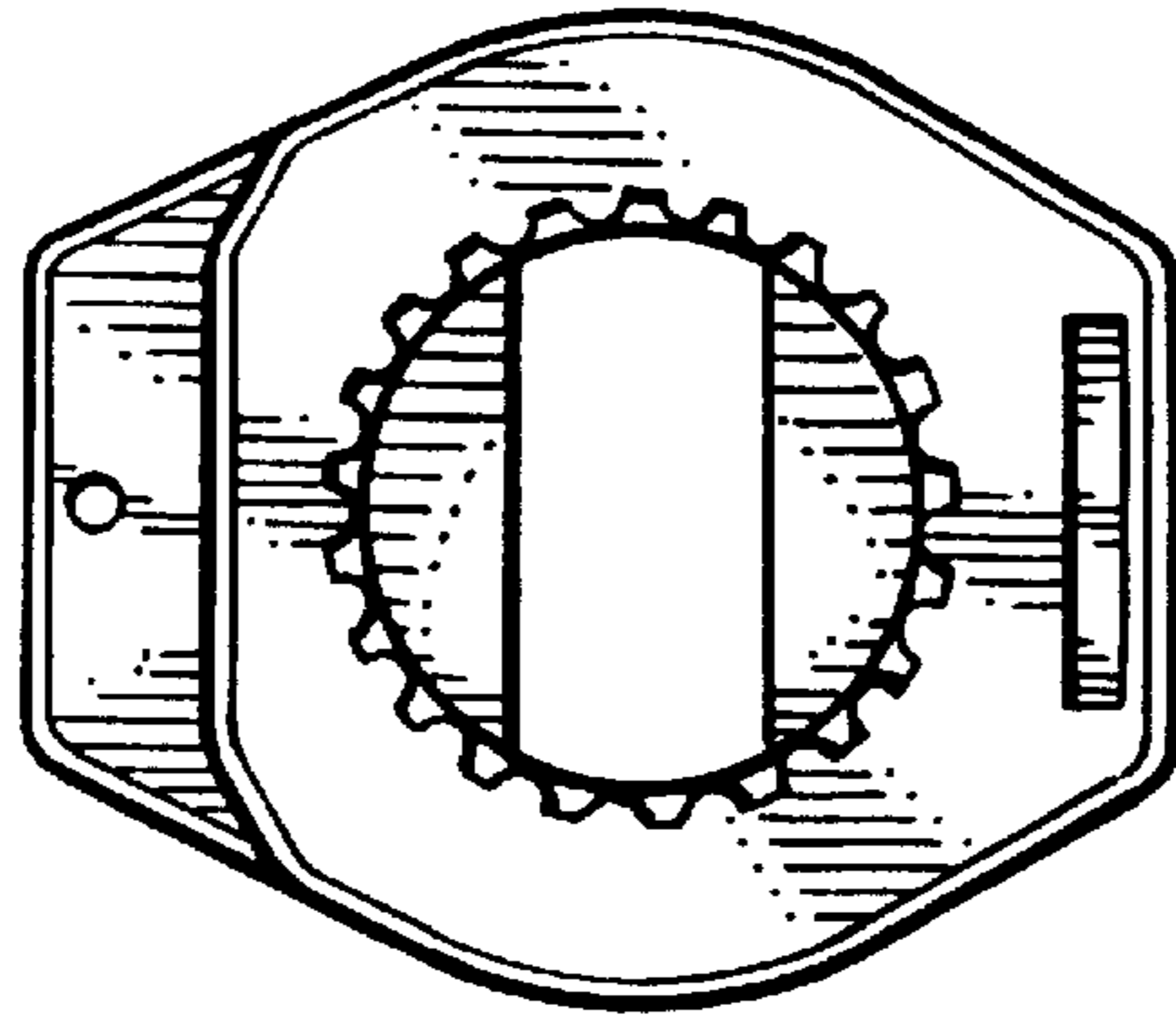


FIG. 4

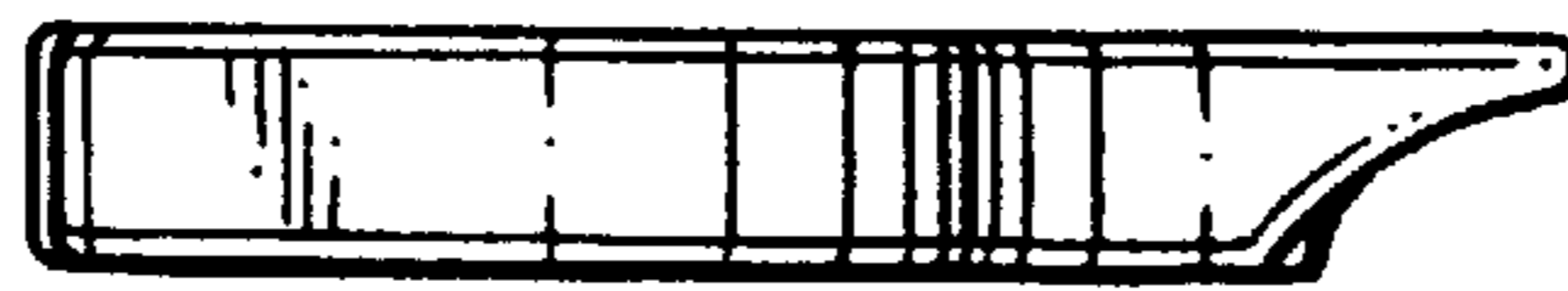


FIG. 5



FIG. 6



FIG. 7