



US00D442443S

(12) **United States Design Patent**  
**Perndocaj et al.**

(10) **Patent No.:** **US D442,443 S**

(45) **Date of Patent:** **\*\* May 22, 2001**

(54) **DUAL CUP HOLDER WITH TEMPERATURE CONTROL**

5,044,577 \* 9/1991 Spearman ..... 248/311.2  
5,060,479 \* 10/1991 Carmi et al. .... 62/457.4  
5,092,395 3/1992 Amidzich .  
5,720,171 2/1998 Osterhoff et al. .

(76) Inventors: **Albert Perndocaj; Joseph Giorgio,**  
both of 16 Lake St., White Plains, NY  
(US) 10603

\* cited by examiner

(\*\*) Term: **14 Years**

*Primary Examiner*—Terry A. Wallace

(21) Appl. No.: **29/127,171**

(57) **CLAIM**

(22) Filed: **Jul. 28, 2000**

The ornamental design for a dual cup holder with temperature control, as shown and described.

(51) **LOC (7) Cl.** ..... **07-01**

**DESCRIPTION**

(52) **U.S. Cl.** ..... **D7/701**

(58) **Field of Search** ..... D7/701, 707, 708,  
D7/619-625; 211/71.01, 74; 220/737, 739;  
248/309.1, 311.2; D12/411, 419, 420; 62/457.1-457.5,  
3.6, 3.2, 298, 3.3

FIG. 1 is a top, front, right side perspective view of the dual cup holder with temperature control of the present invention; FIG. 2 is a front elevational view of the dual cup holder with temperature control of FIG. 1;

FIG. 3 is a rear elevational view of the dual cup holder with temperature control of FIG. 1;

FIG. 4 is a left side elevational view of the dual cup holder with temperature control of FIG. 1;

FIG. 5 is a top plan view of the dual cup holder with temperature control of FIG. 1; and,

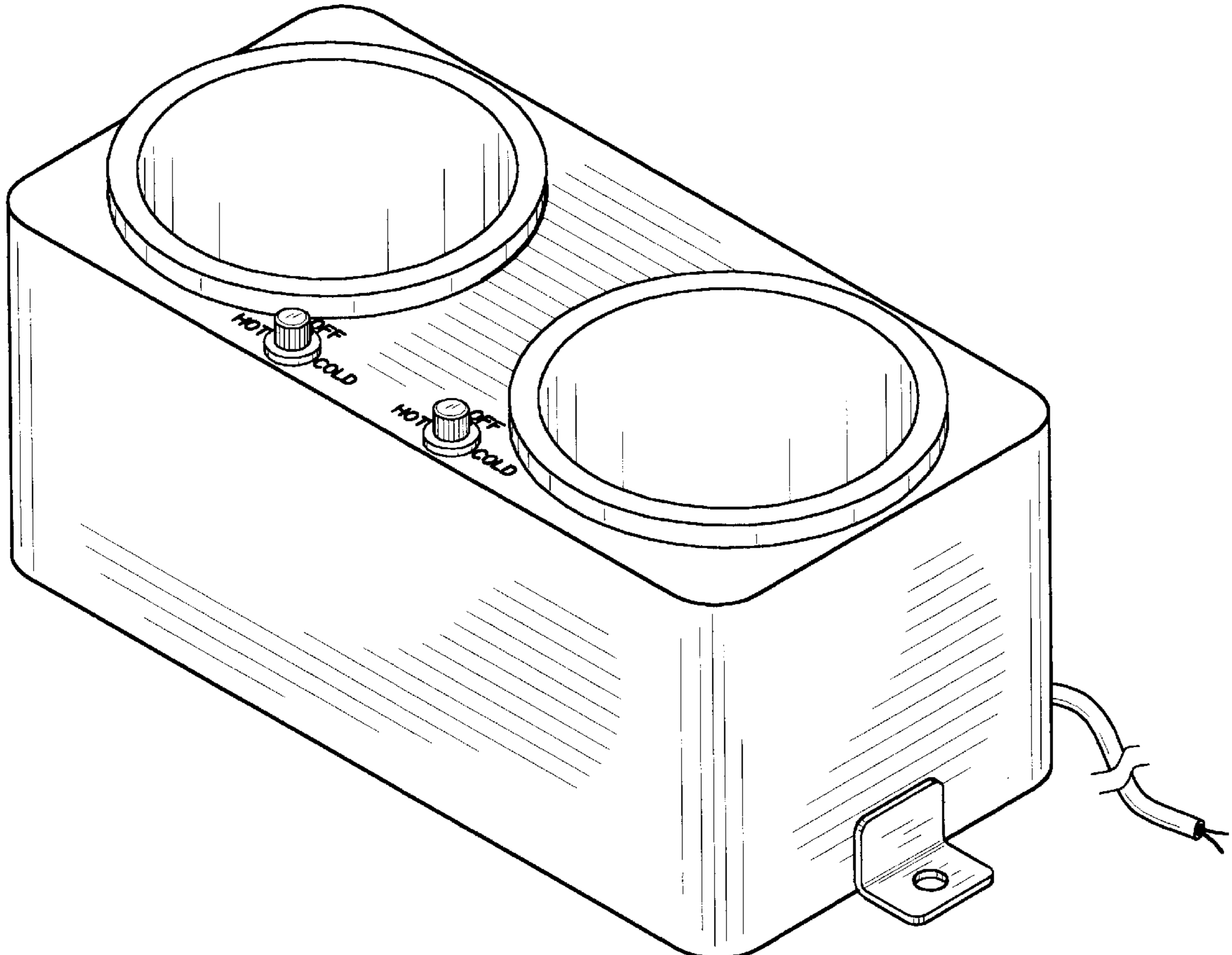
FIG. 6 is a bottom plan view of the dual cup holder with temperature control of FIG. 1.

(56) **References Cited**

**U.S. PATENT DOCUMENTS**

D. 334,507 4/1993 Erwin .  
3,808,825 \* 5/1974 Ciurea ..... 62/3.3  
4,852,843 8/1989 Chandler .  
4,892,137 1/1990 Bibik, Jr. .  
4,914,920 \* 4/1990 Carnage et al. .... 62/3.3

**1 Claim, 3 Drawing Sheets**



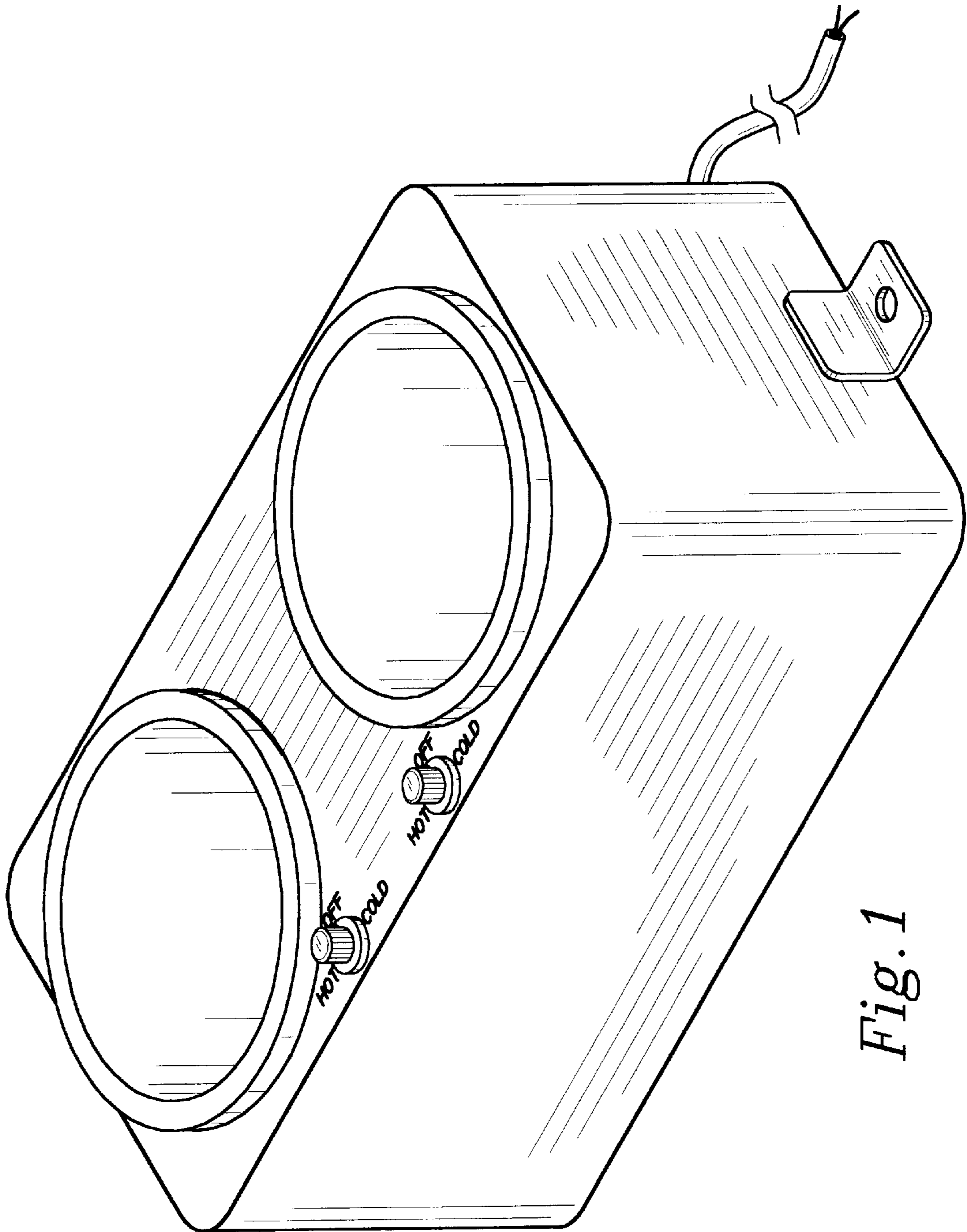
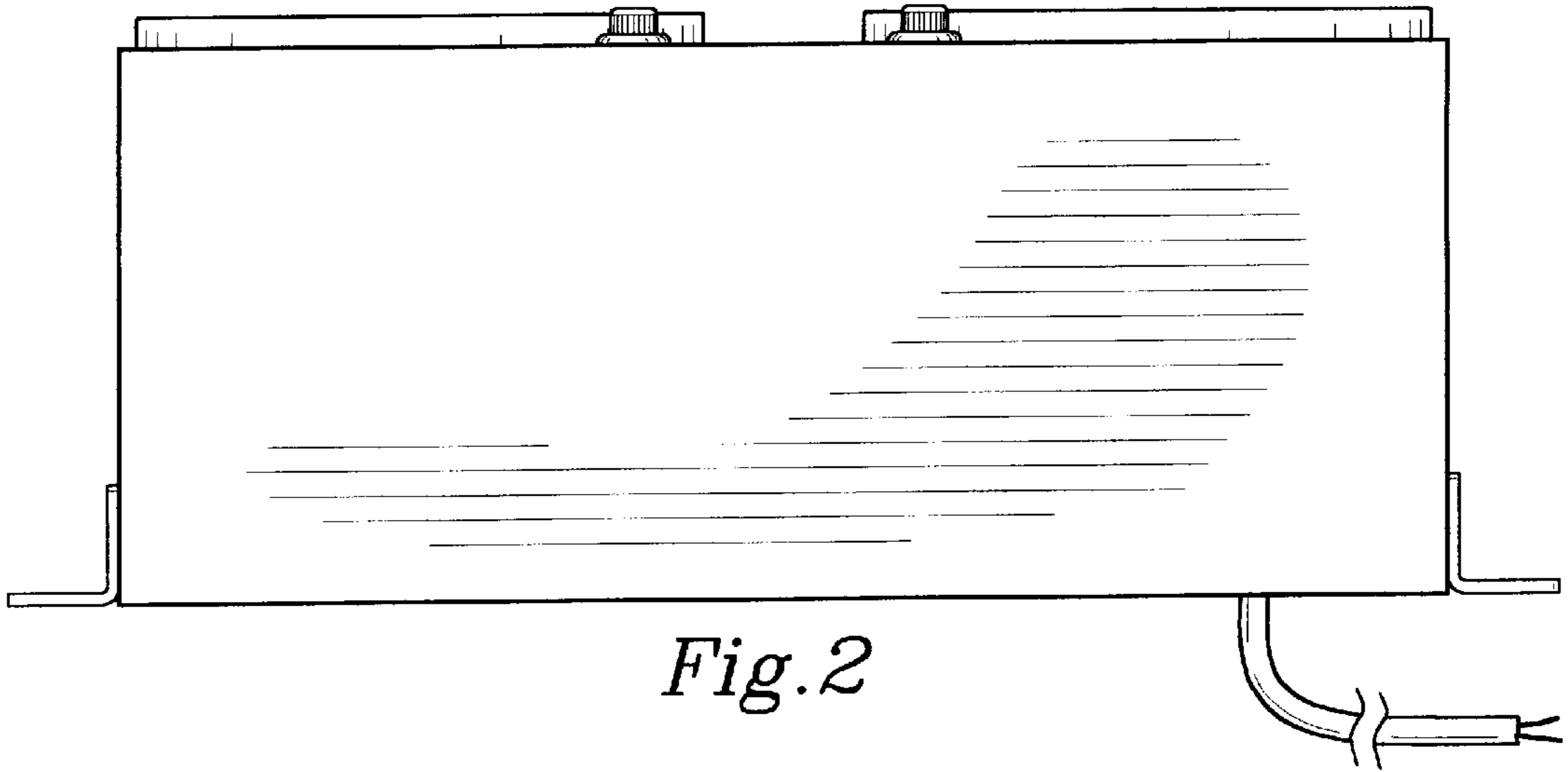
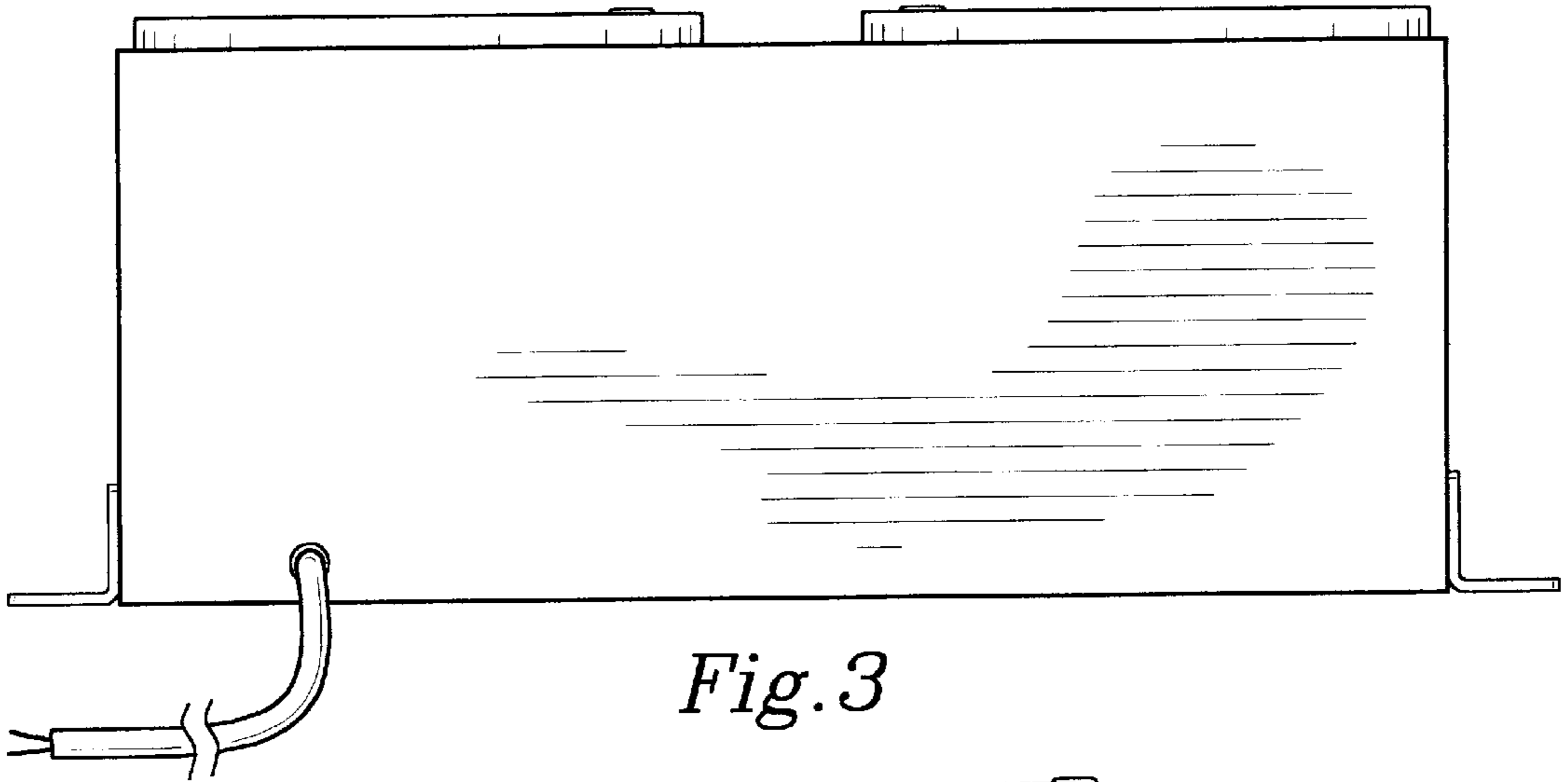


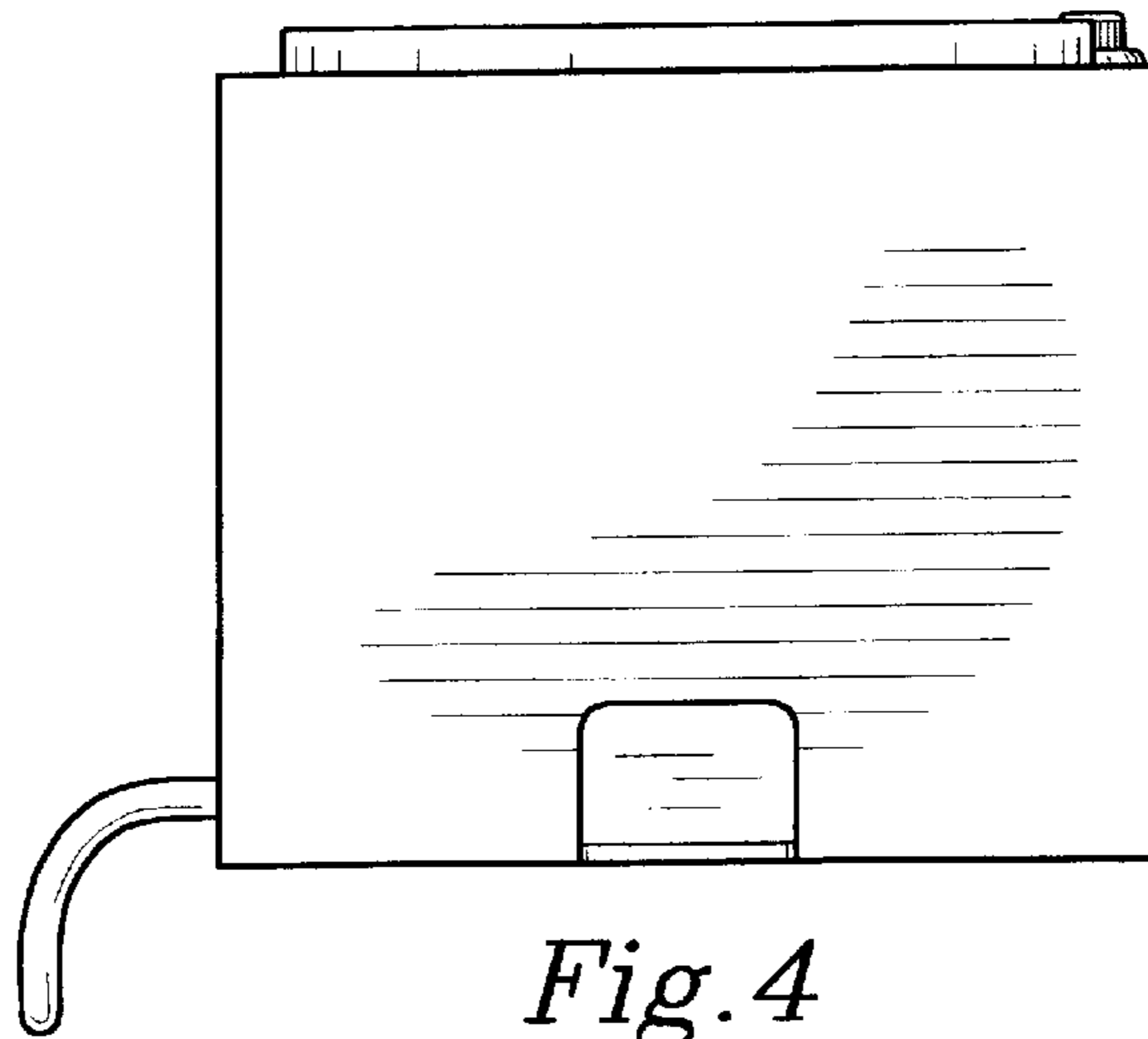
Fig. 1



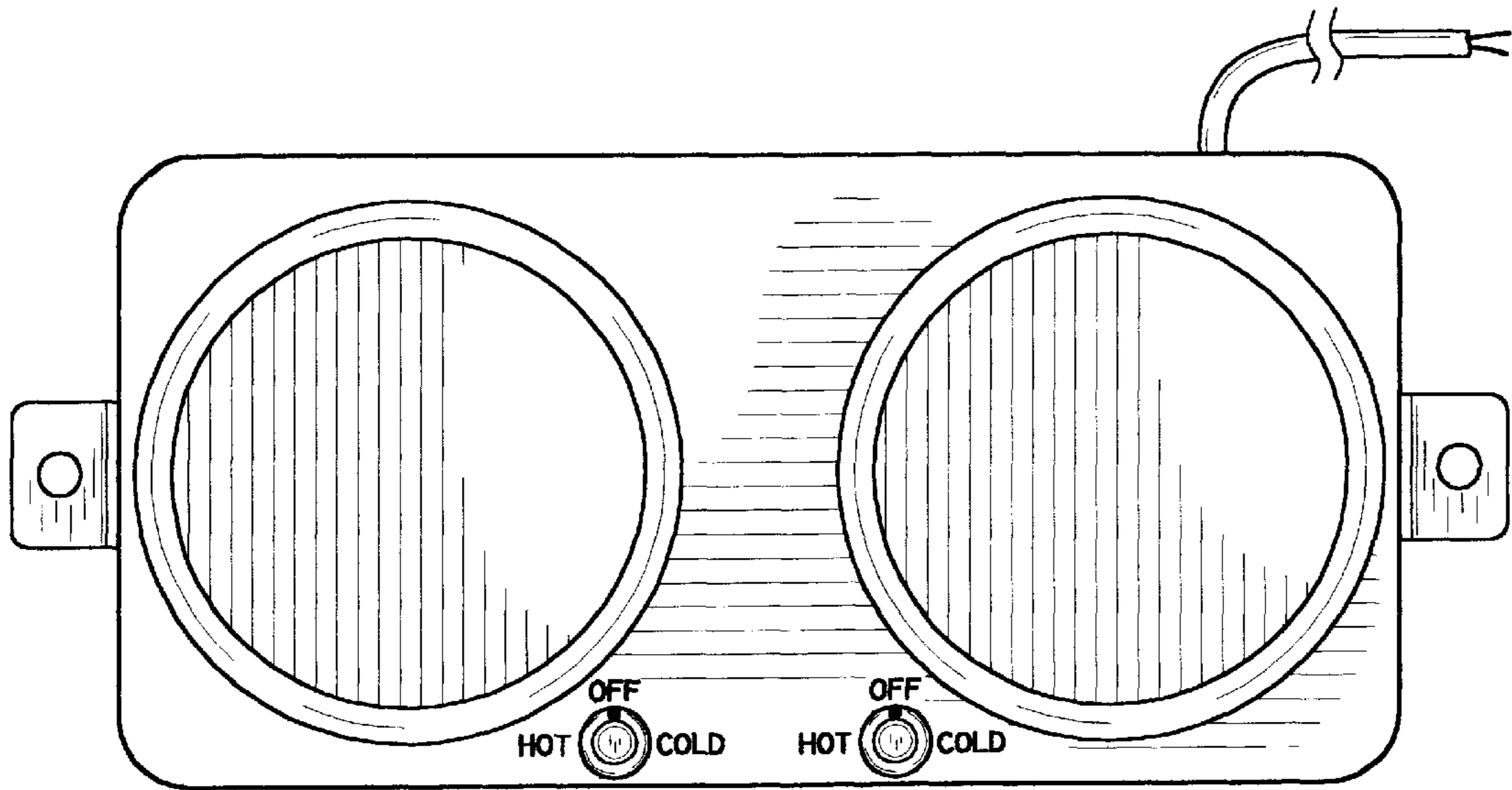
*Fig. 2*



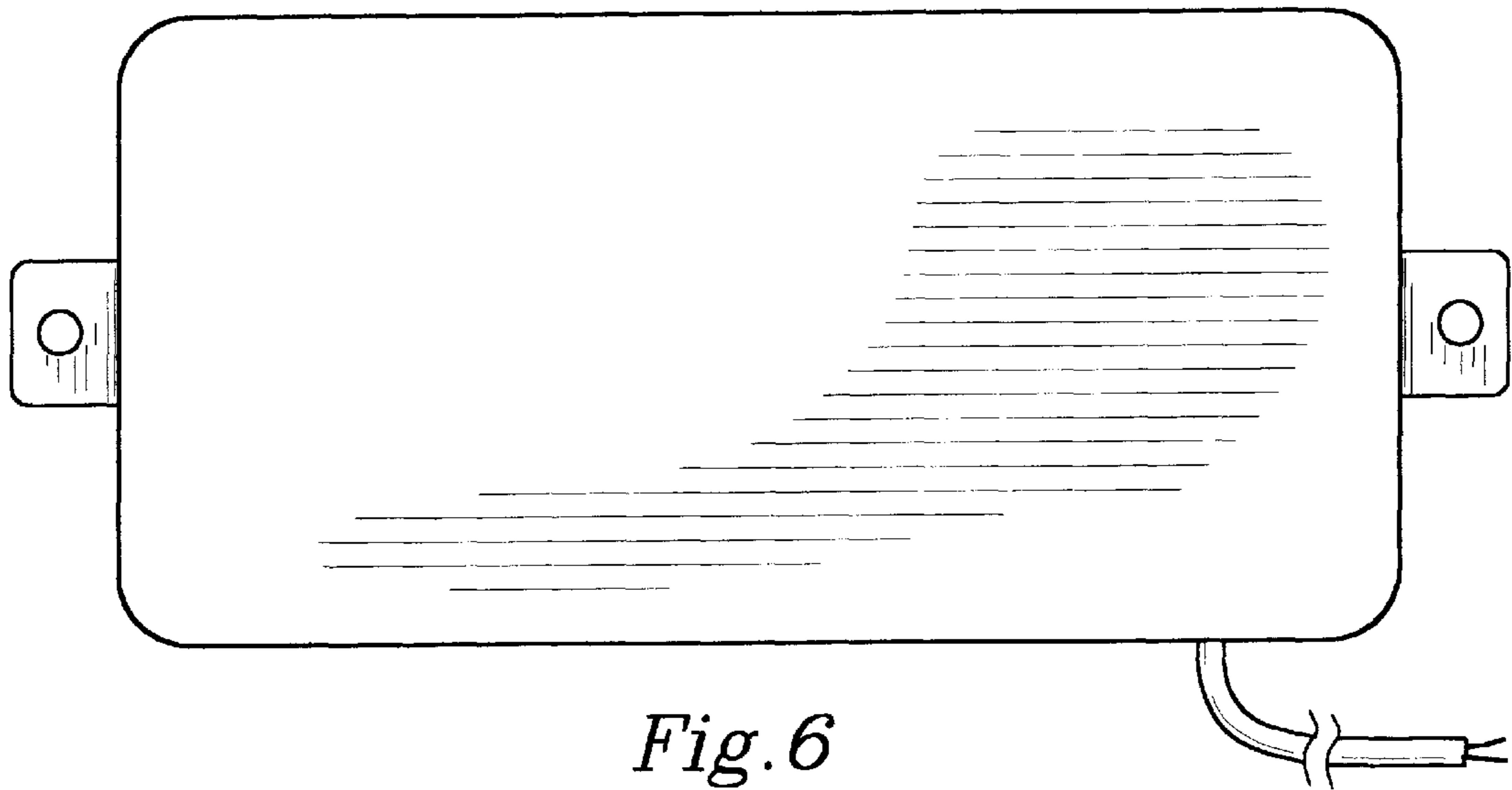
*Fig. 3*



*Fig. 4*



*Fig. 5*



*Fig. 6*