



US00D442441S

(12) **United States Design Patent**
Usbeck

(10) **Patent No.:** **US D442,441 S**

(45) **Date of Patent:** **** May 22, 2001**

(54) **ASPARAGUS PEELING DEVICE**

(75) Inventor: **Friedrich Wilhelm Usbeck**, Marburg (DE)

(73) Assignee: **Monopolwerk Usbeck & Sohne GmbH & Co.**, Marburg (DE)

(**) Term: **14 Years**

(21) Appl. No.: **29/126,816**

(22) Filed: **Jul. 26, 2000**

(30) **Foreign Application Priority Data**

Feb. 7, 2000 (XH) DM/050704

(51) **LOC (7) Cl.** **07-04**

(52) **U.S. Cl.** **D7/695**

(58) **Field of Search** D7/693, 695, 683-687;
30/123.5, 123.7, 113.3, 279.4, 279.6, 280;
294/99.1, 99.2, 118, 119

(56) **References Cited**

U.S. PATENT DOCUMENTS

- D. 247,870 * 5/1978 Herrmeyer et al. D7/695
- D. 299,996 * 2/1989 Tucker et al. D7/686
- 2,232,941 * 2/1941 Fender 30/279.6
- 2,876,487 * 3/1959 Pasquale 30/279.2 X

* cited by examiner

Primary Examiner—Terry A. Wallace

(74) *Attorney, Agent, or Firm*—Clark & Brody

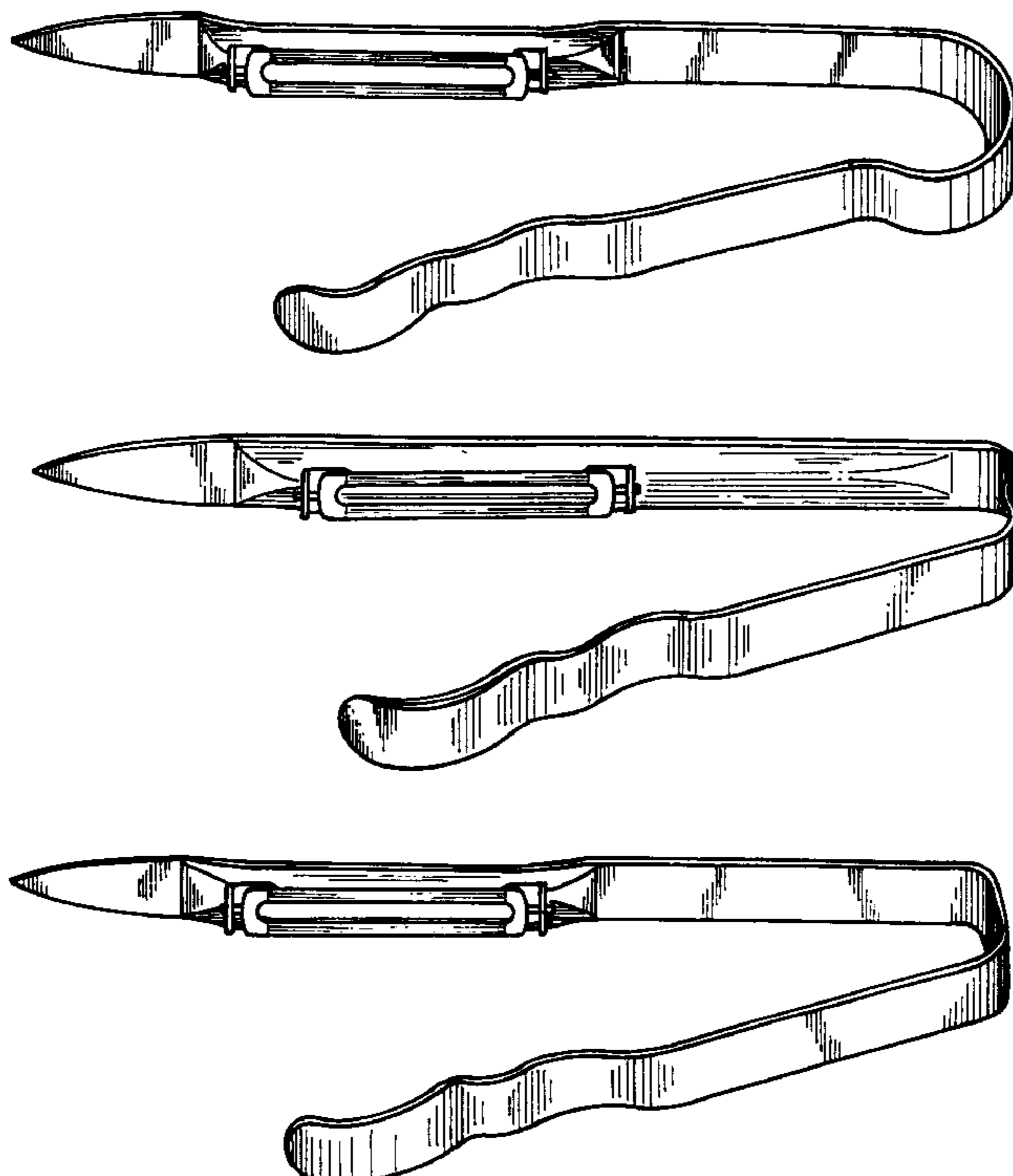
(57) **CLAIM**

The ornamental design for an asparagus peeling device, as shown and described.

DESCRIPTION

FIG. 1 is a perspective view of an asparagus peeling device showing my new design;
 FIG. 2 is a bottom plan view thereof;
 FIG. 3 is a top plan view thereof;
 FIG. 4 is a left side elevation view thereof;
 FIG. 5 is a front elevation view thereof;
 FIG. 6 is a right side elevation view thereof;
 FIG. 7 is a rear elevation view thereof;
 FIG. 8 is a perspective view of an alternate embodiment of FIG. 1;
 FIG. 9 is a bottom plan view FIG. 8;
 FIG. 10 is a top plan view FIG. 8;
 FIG. 11 is a left side elevation view FIG. 8;
 FIG. 12 is a front elevation view FIG. 8;
 FIG. 13 is a right side elevation view FIG. 8;
 FIG. 14 is a rear elevation view FIG. 8;
 FIG. 15 is a perspective view of an alternate embodiment of FIG. 1;
 FIG. 16 is a bottom plan view of FIG. 15;
 FIG. 17 is a top plan view of FIG. 15;
 FIG. 18 is a left side elevation view of FIG. 15;
 FIG. 19 is a front elevation view of FIG. 15;
 FIG. 20 is a right side elevation view of FIG. 15; and,
 FIG. 21 is a rear elevation view of FIG. 15.

1 Claim, 3 Drawing Sheets



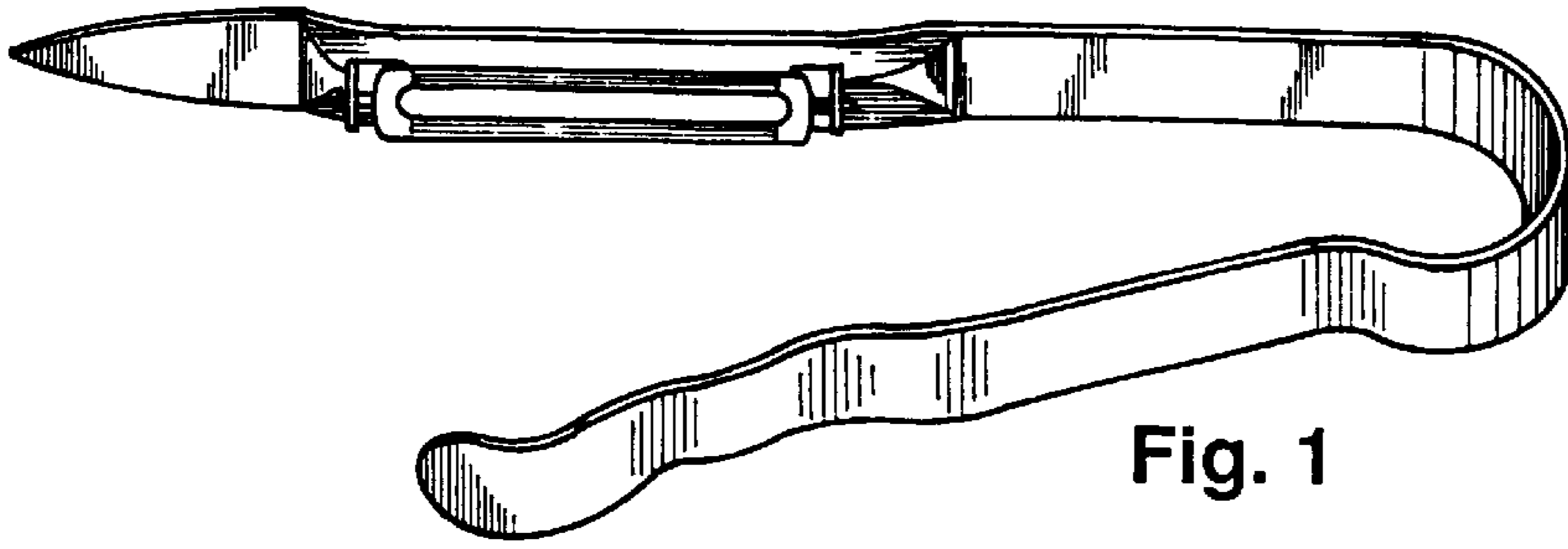


Fig. 1

Fig. 2

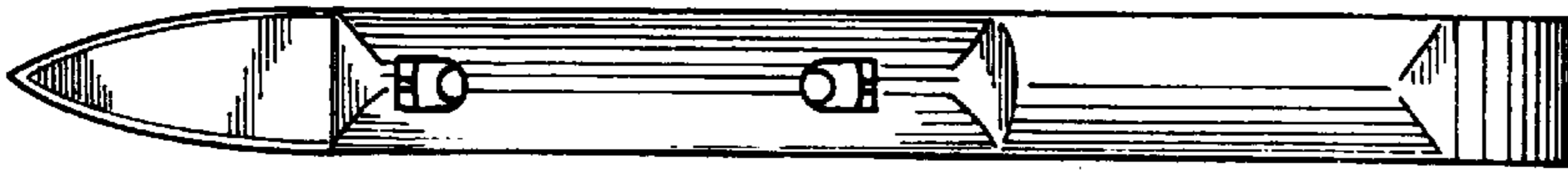


Fig. 3



Fig. 5

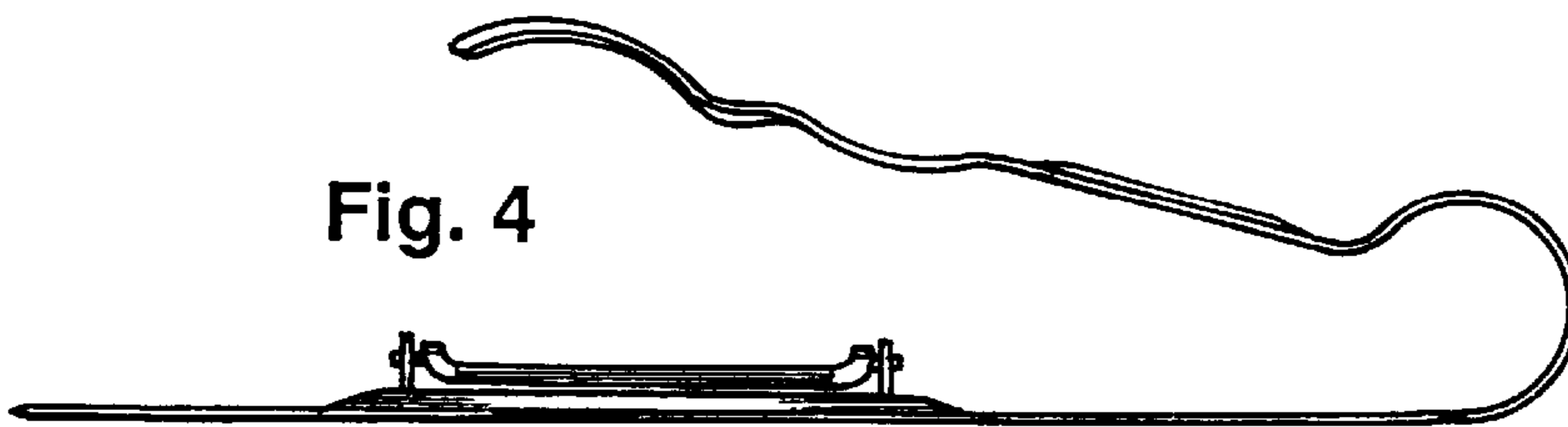


Fig. 4



Fig. 7

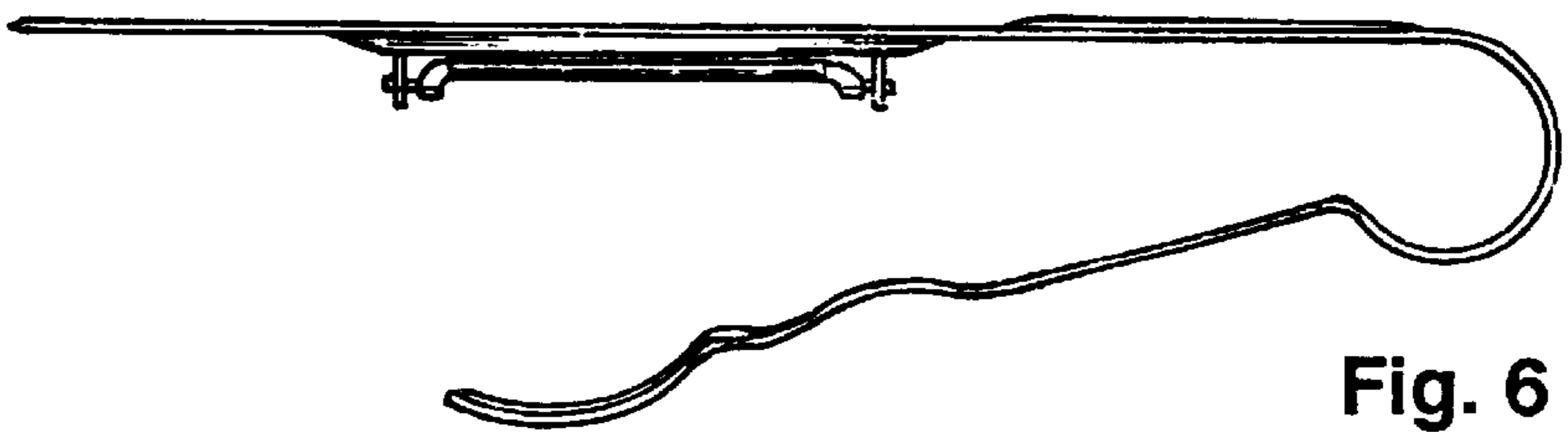


Fig. 6

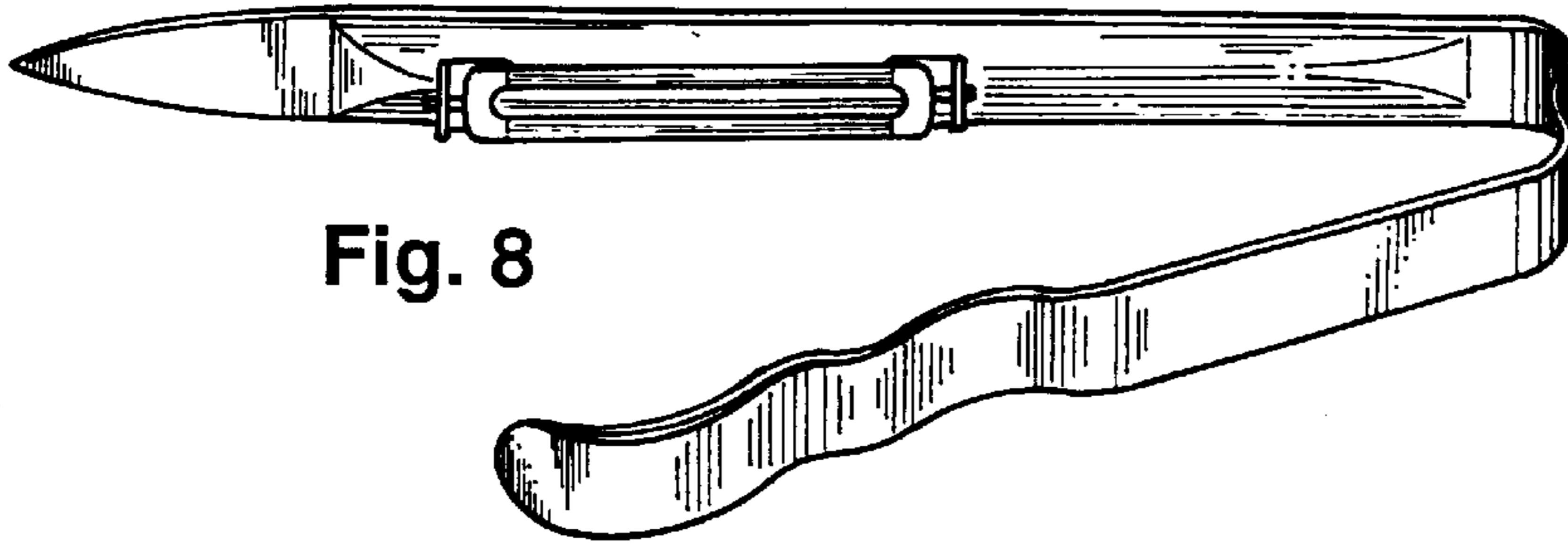


Fig. 8

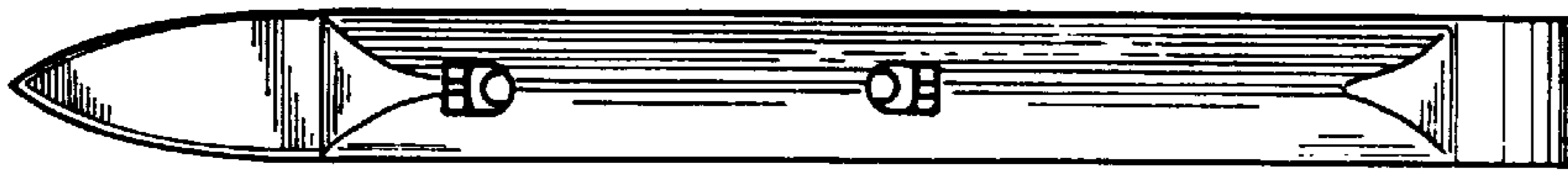


Fig. 9

Fig. 10

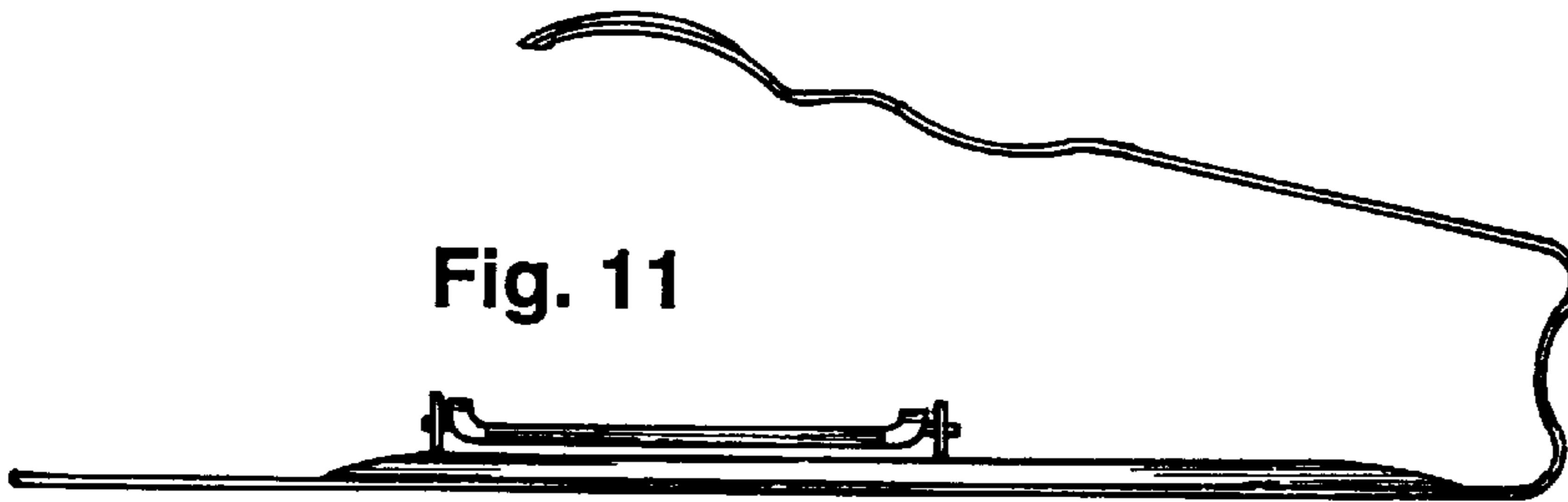
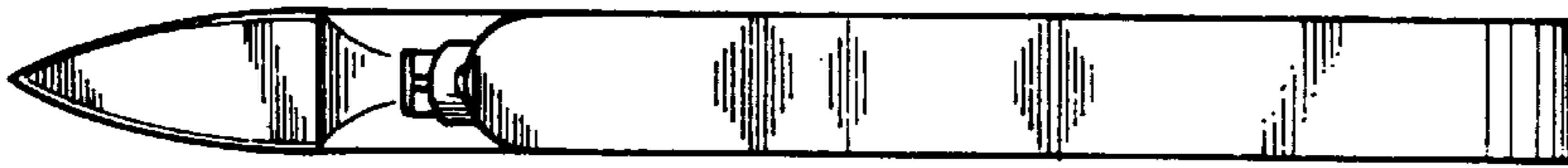


Fig. 11

Fig. 12

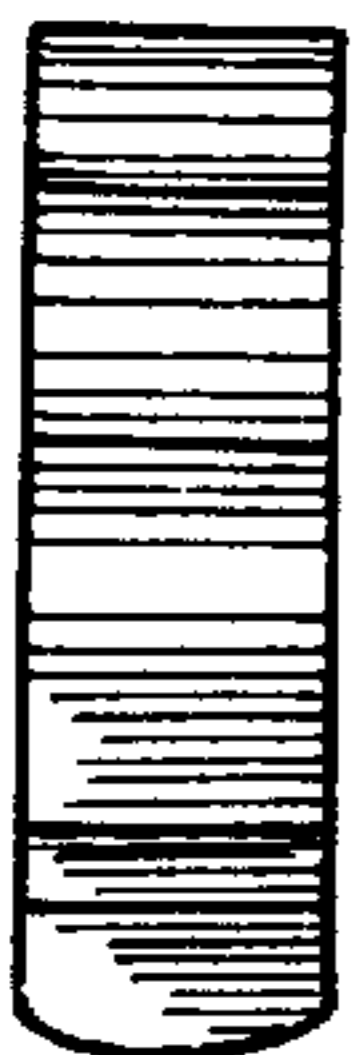


Fig. 14

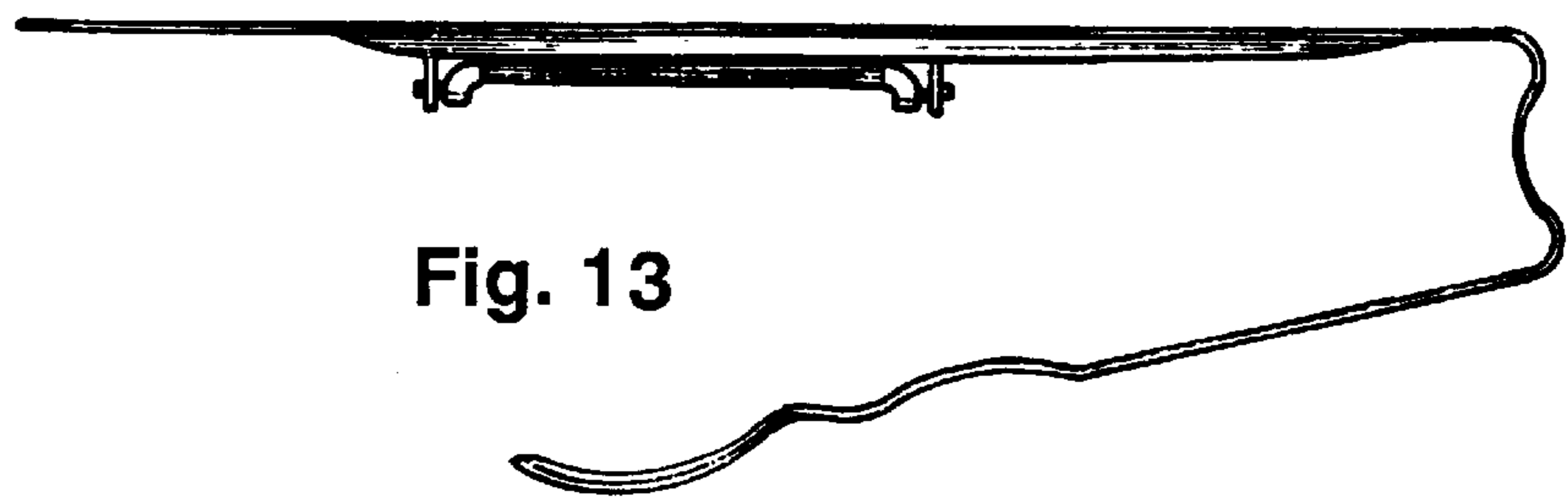


Fig. 13

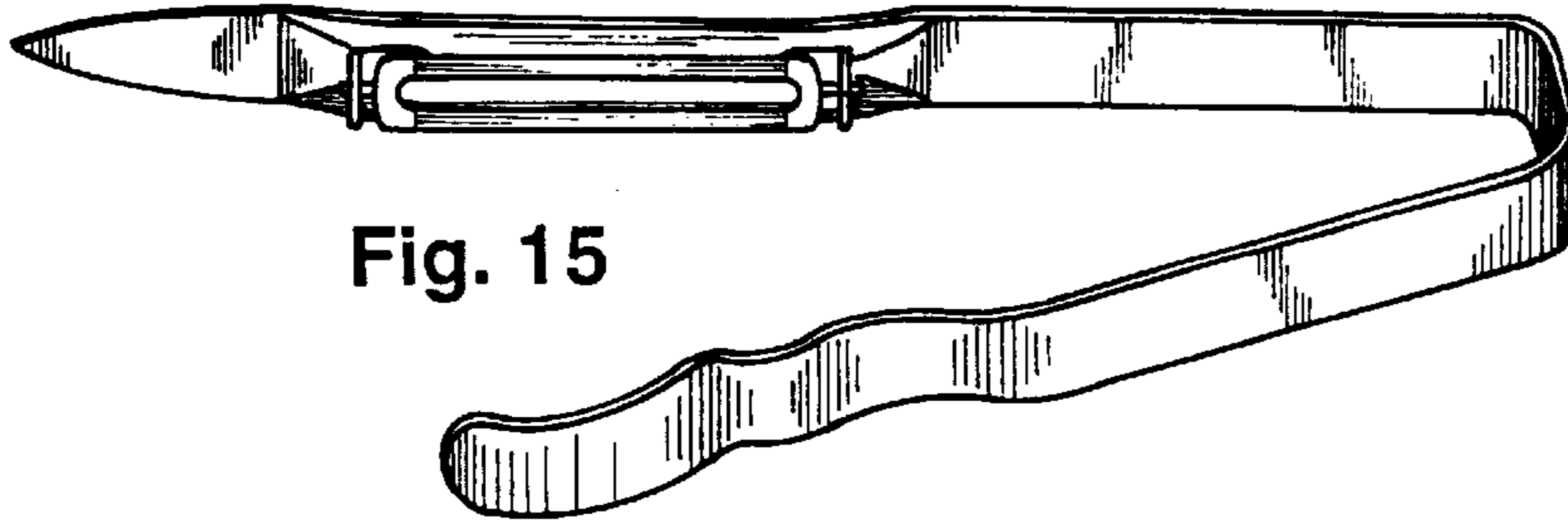


Fig. 15

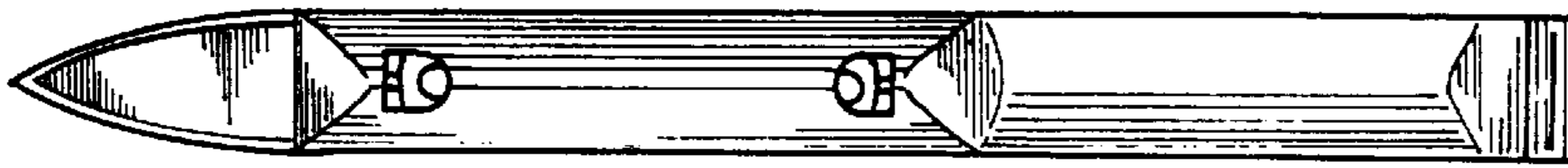


Fig. 16

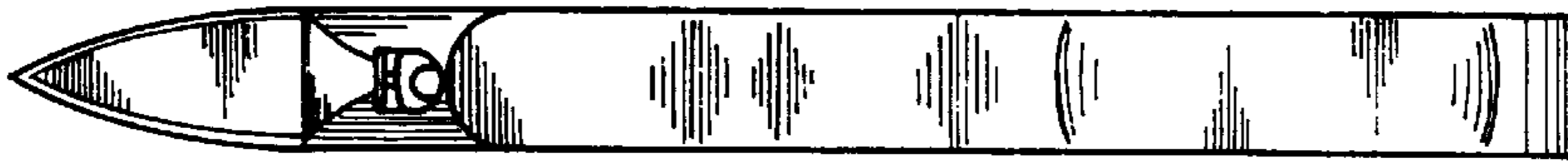


Fig. 17

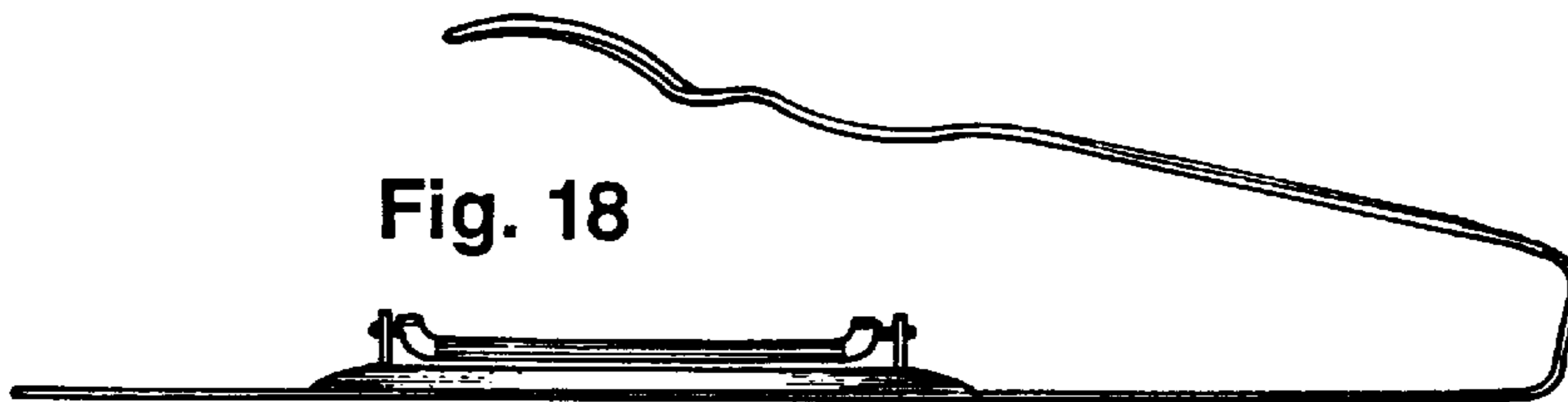


Fig. 18

Fig. 19



Fig. 21

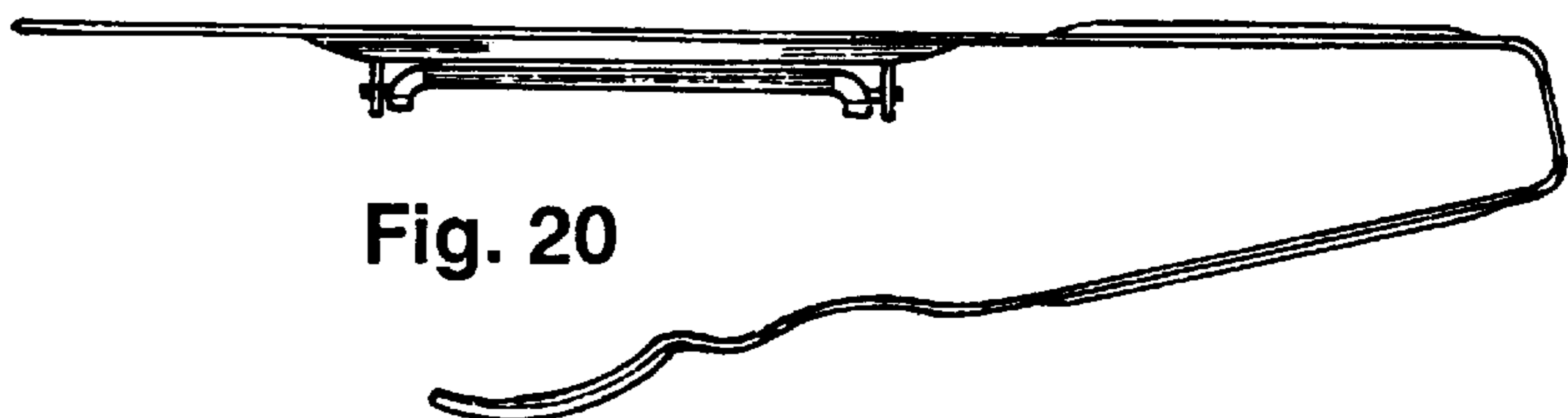


Fig. 20