



US00D442440S

(12) **United States Design Patent**  
**Kaposi**

(10) **Patent No.:** **US D442,440 S**

(45) **Date of Patent:** **\*\* May 22, 2001**

(54) **PASTA TONGS**

(75) Inventor: **Sascha Kaposi**, Seattle, WA (US)

(73) Assignee: **Progressive International Corp.**, Kent, WA (US)

(\*\*) Term: **14 Years**

(21) Appl. No.: **29/121,556**

(22) Filed: **Apr. 7, 2000**

(51) **LOC (7) Cl.** ..... **07-04**

(52) **U.S. Cl.** ..... **D7/686**

(58) **Field of Search** ..... D7/686, 687; 30/324; 294/3, 8.5, 11, 16, 99.1, 99.2, 118, 119

(56) **References Cited**

**U.S. PATENT DOCUMENTS**

- D. 189,488 \* 12/1960 Page ..... D7/686
- D. 212,166 \* 9/1968 Hill ..... D7/686
- 5,447,351 \* 9/1995 Klunder ..... 294/3

**OTHER PUBLICATIONS**

The Wooden Spoon, p. 24, Heavy Duty Tongs (B), Oct. 1994.\*

\* cited by examiner

*Primary Examiner*—Terry A. Wallace

(74) *Attorney, Agent, or Firm*—John R. Benefiel

(57) **CLAIM**

The ornamental design for pasta tongs, a shown and described.

**DESCRIPTION**

FIG. 1 is a perspective view of pasta tongs according to the present invention.

FIG. 2 is a front view of the pasta tongs shown in FIG. 1.

FIG. 3 is a rear view of the pasta tongs shown in FIGS. 1 and 2.

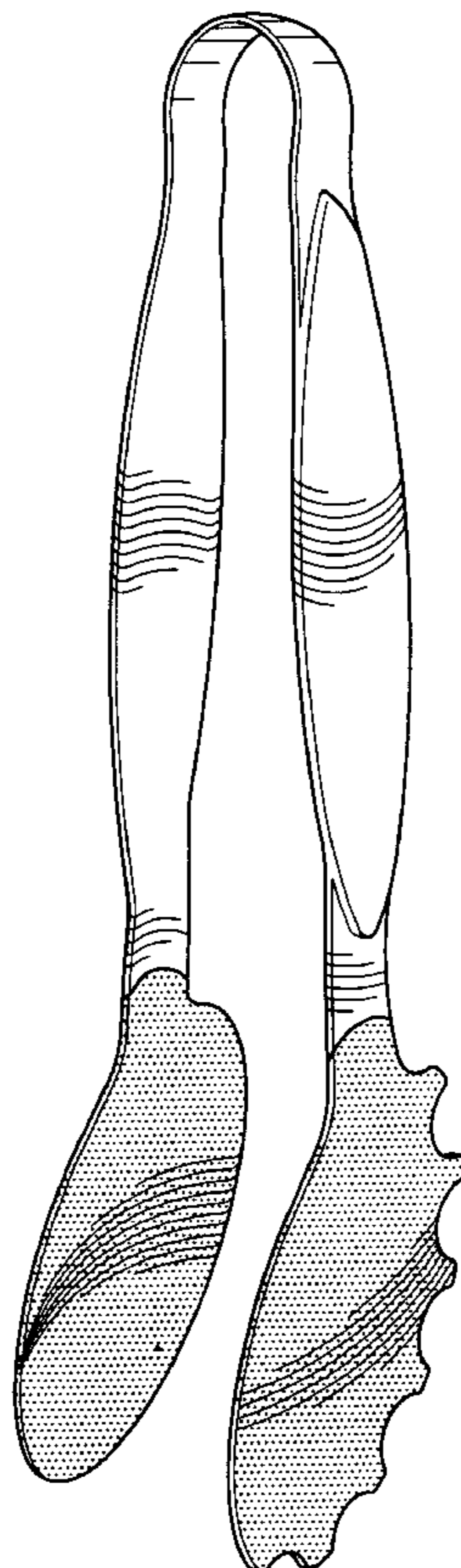
FIG. 4 is a left side view of the pasta tongs shown in FIGS. 1–3.

FIG. 5 is a right side view of the pasta tongs shown in FIGS. 1–4.

FIG. 6 is a top view of the pasta tongs shown in FIGS. 1–5; and,

FIG. 7 is a bottom view of the pasta tongs shown in FIGS. 1–6.

**1 Claim, 2 Drawing Sheets**



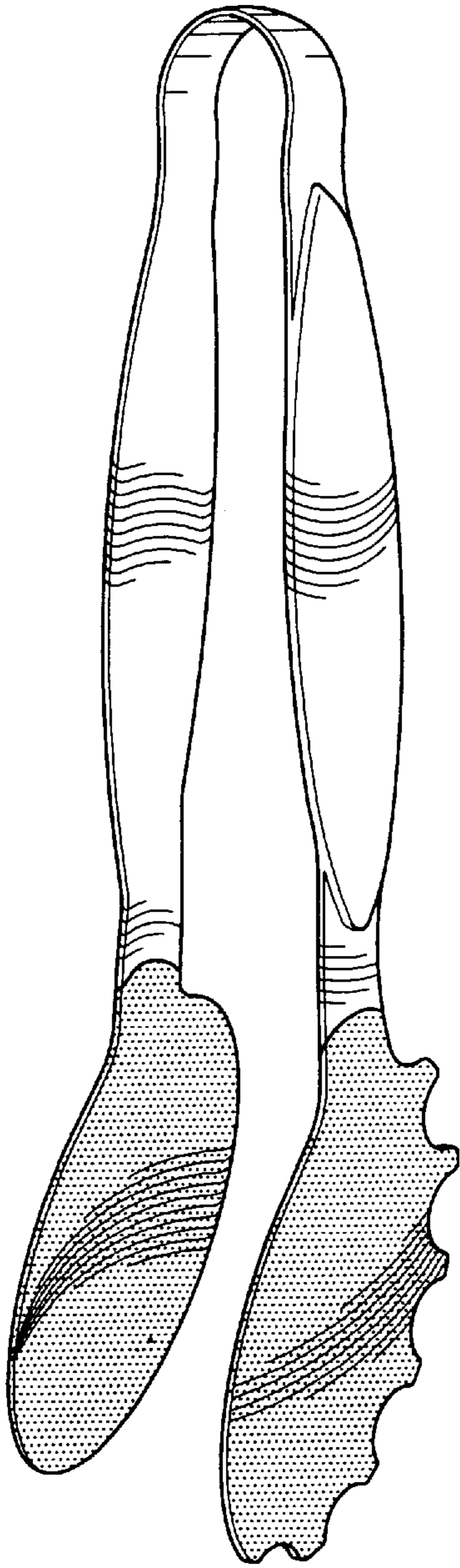


Figure 1

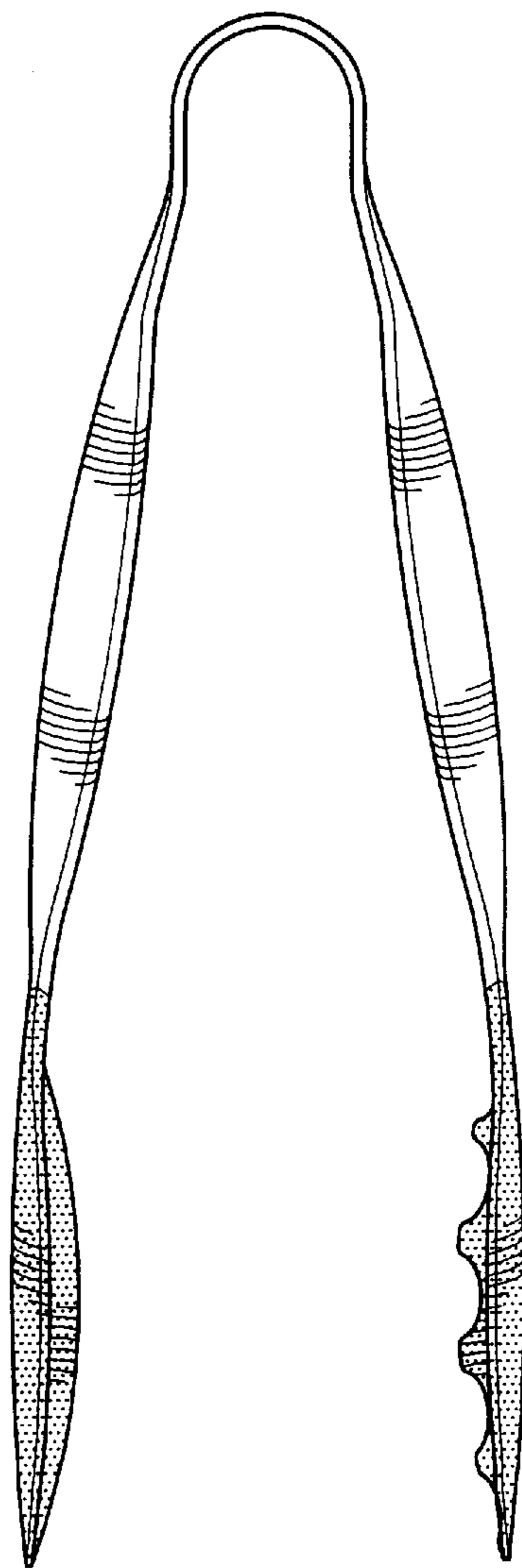


Figure 2

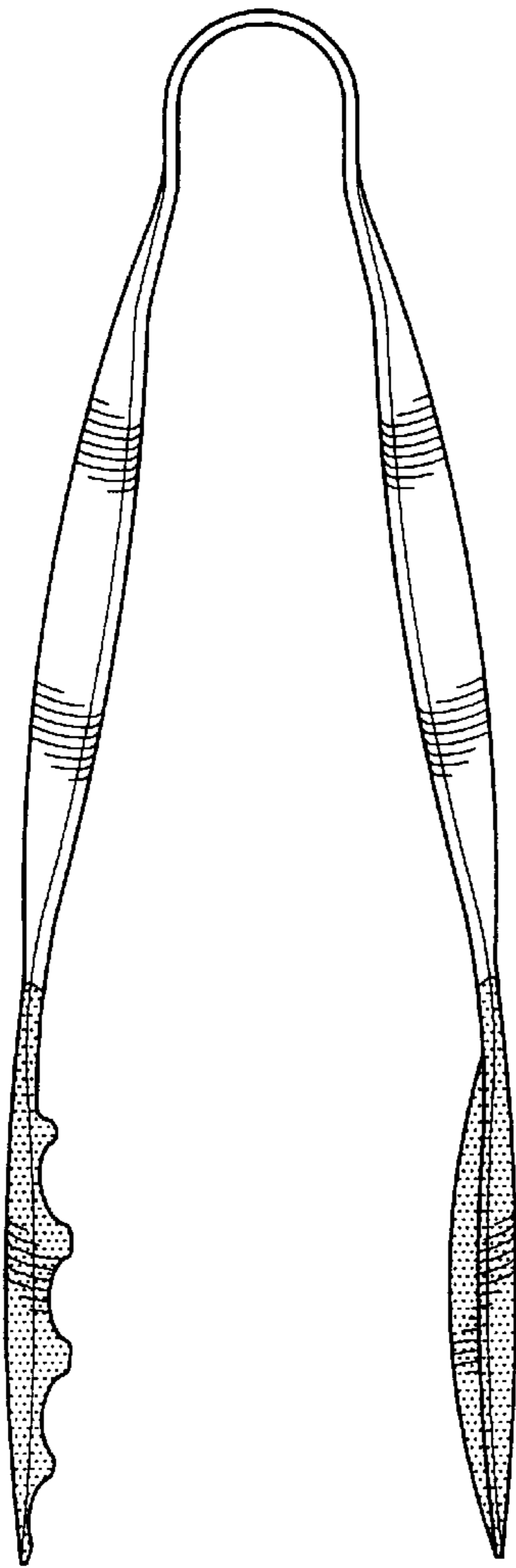


Figure 3

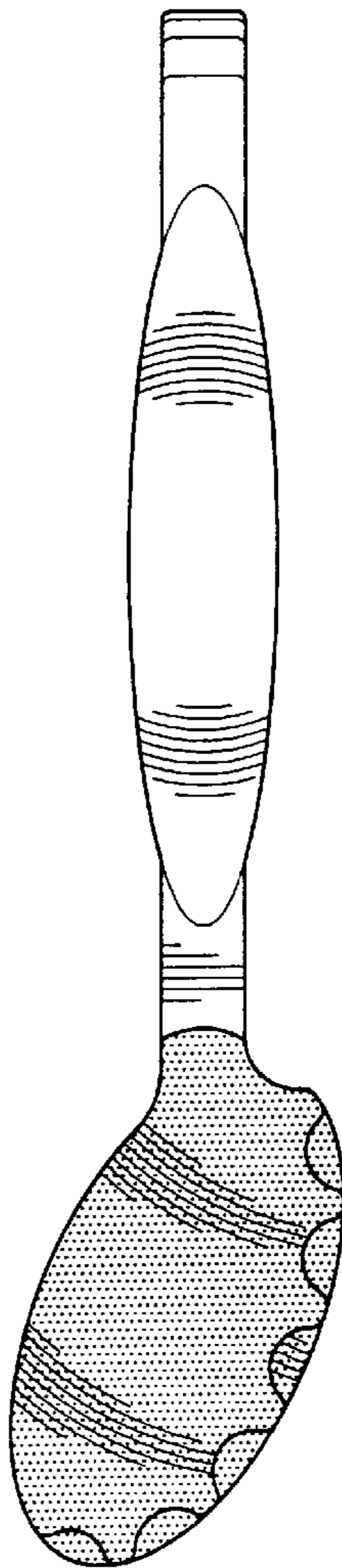


Figure 4

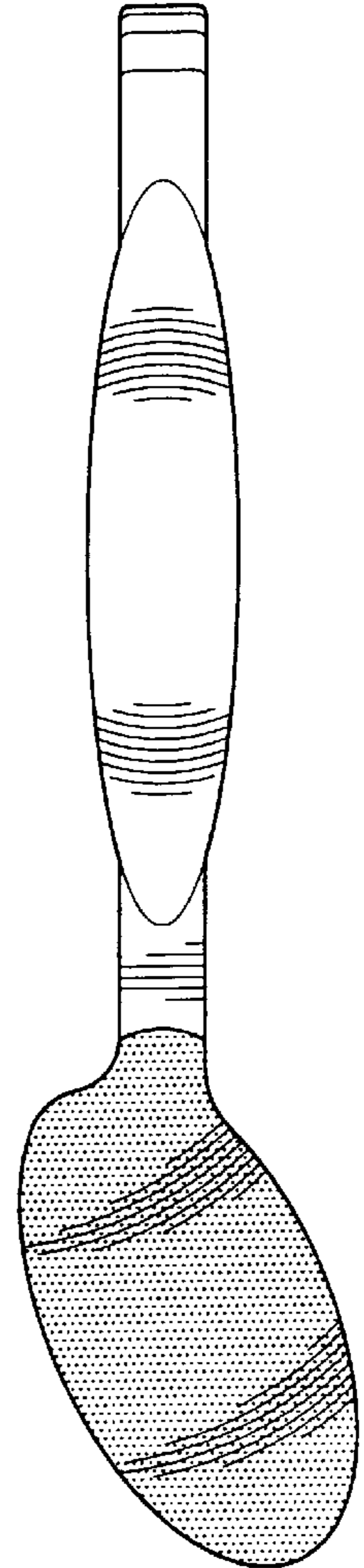


Figure 5

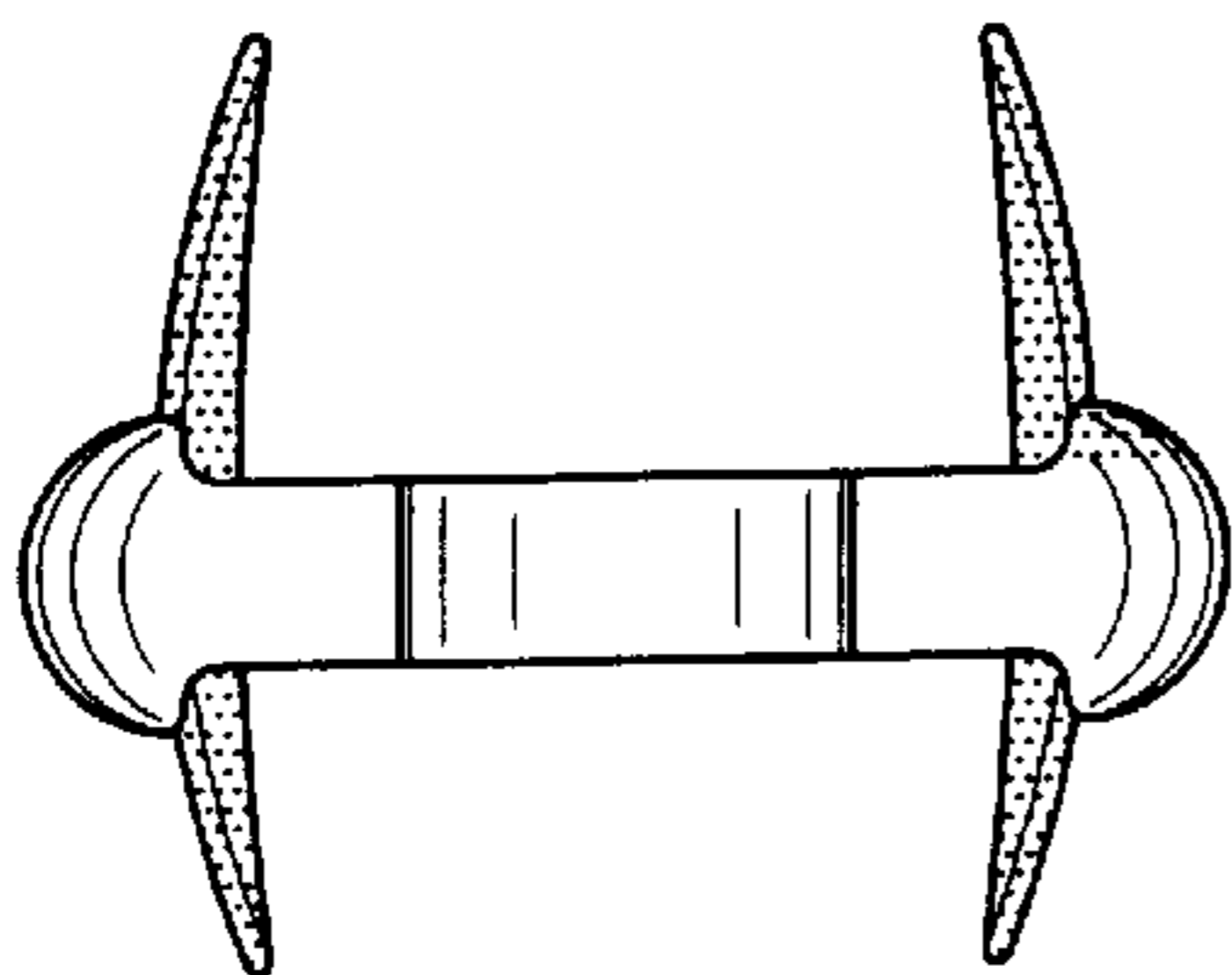


Figure 6

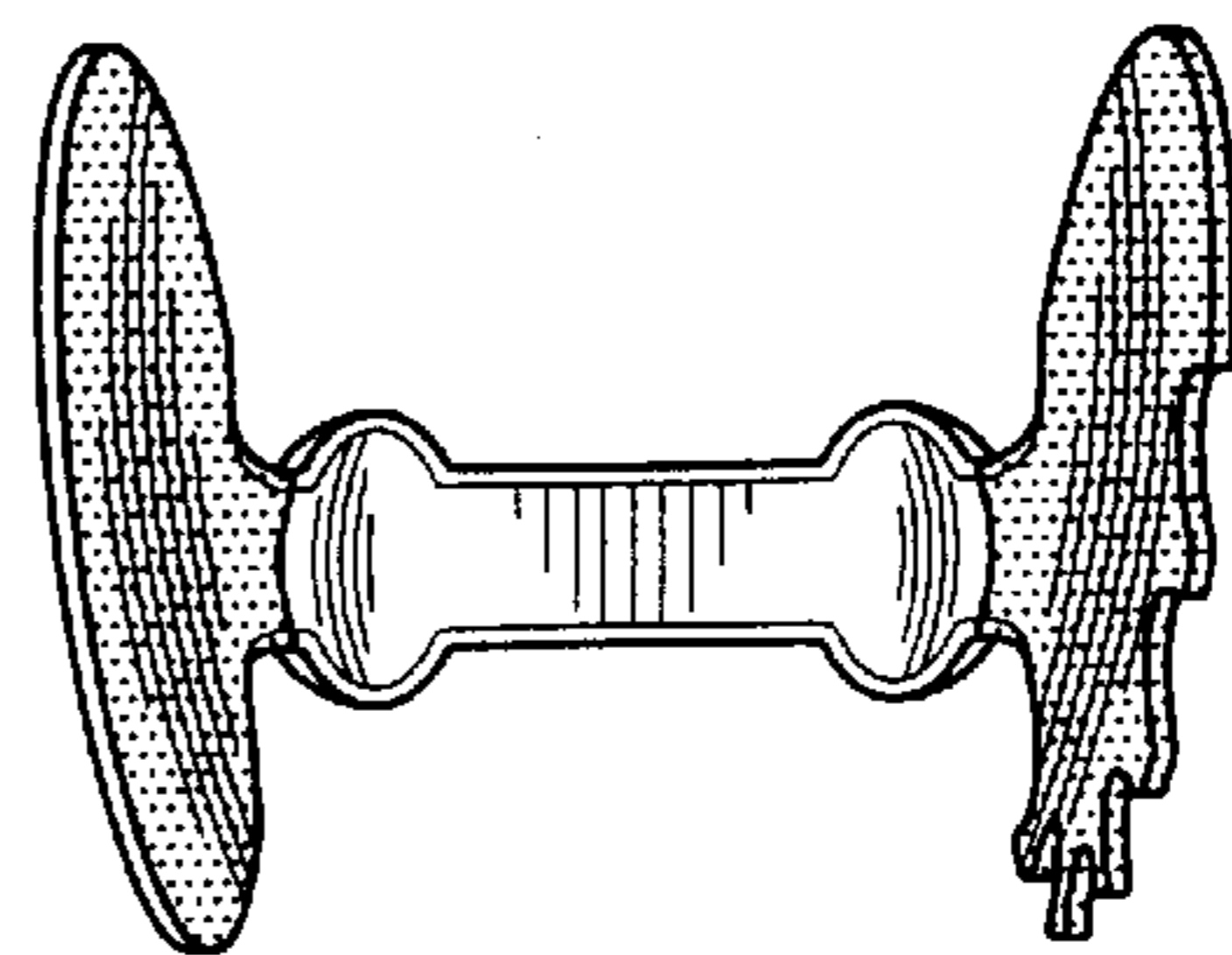


Figure 7