



US00D442439S

(12) **United States Design Patent**  
**Lai et al.**

(10) **Patent No.:** **US D442,439 S**

(45) **Date of Patent:** **\*\* May 22, 2001**

(54) **THERMO FORK**

D. 424,890 \* 5/2000 Sanoner ..... D7/683

(76) Inventors: **Jung-Tsung Lai; Fa-Chung Peng**, both  
of P.O. Box 24-108, Taipei (TW)

\* cited by examiner

*Primary Examiner*—Terry A. Wallace

(\*\*) Term: **14 Years**

(57) **CLAIM**

(21) Appl. No.: **29/121,766**

The ornamental design for a thermo fork, as shown and described.

(22) Filed: **Apr. 13, 2000**

(51) **LOC (7) Cl.** ..... **07-04**

(52) **U.S. Cl.** ..... **D7/683**

(58) **Field of Search** ..... D7/653, 683–688;  
D10/53, 57; 30/142, 129, 147, 148, 150,  
322, 323; 99/342, 419, 421 A; 294/55.5,  
61; 374/141, 155, 158, 208–210

**DESCRIPTION**

(56) **References Cited**

**U.S. PATENT DOCUMENTS**

D. 228,337 \* 9/1973 Maynard ..... D7/683

D. 392,848 \* 3/1998 Zeller ..... D7/683

FIG. 1 is a perspective view of a thermo fork showing my new design;

FIG. 2 is a top plan view thereof;

FIG. 3 is a bottom plan view thereof;

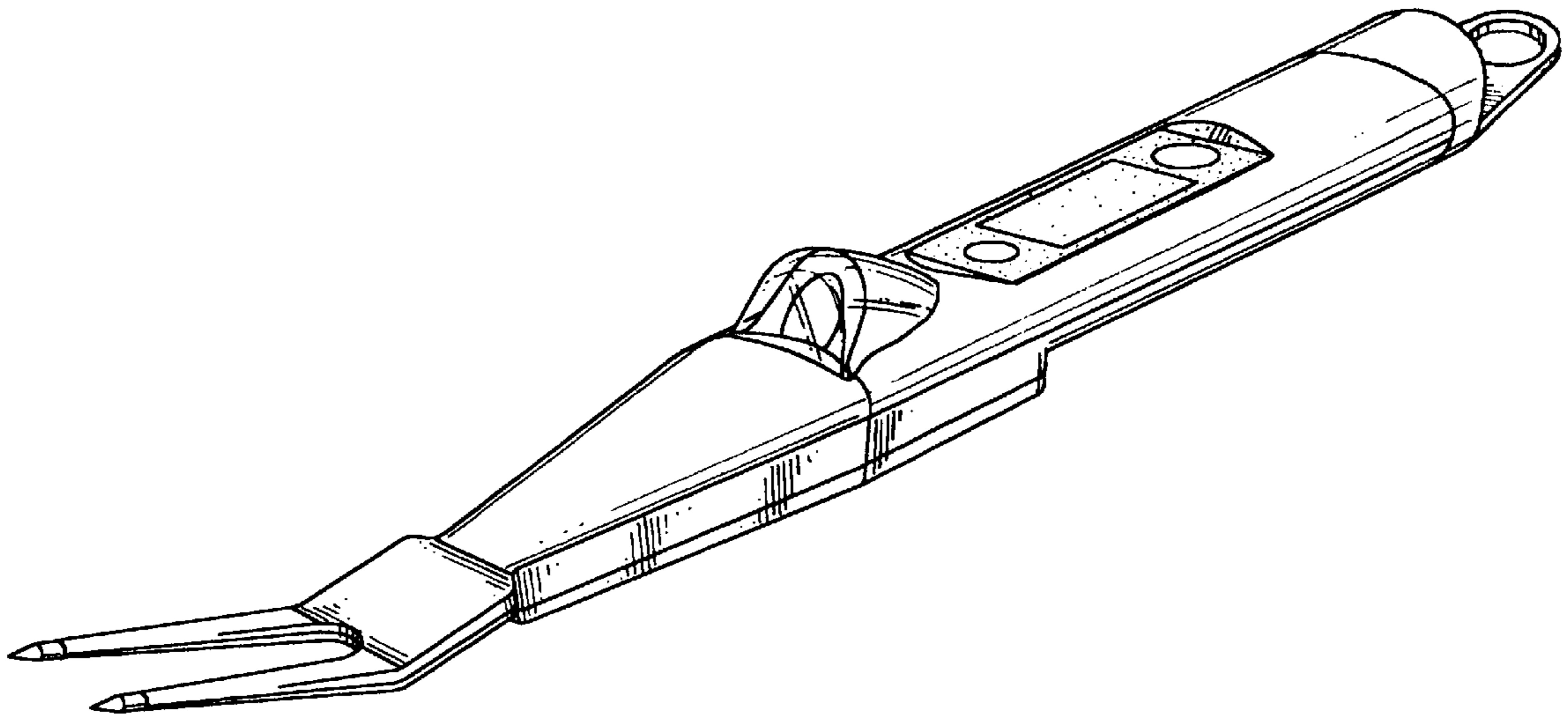
FIG. 4 is a front elevational view thereof;

FIG. 5 is a rear elevational view thereof;

FIG. 6 is a left side elevational view thereof; and,

FIG. 7 is a right side elevational view thereof.

**1 Claim, 3 Drawing Sheets**



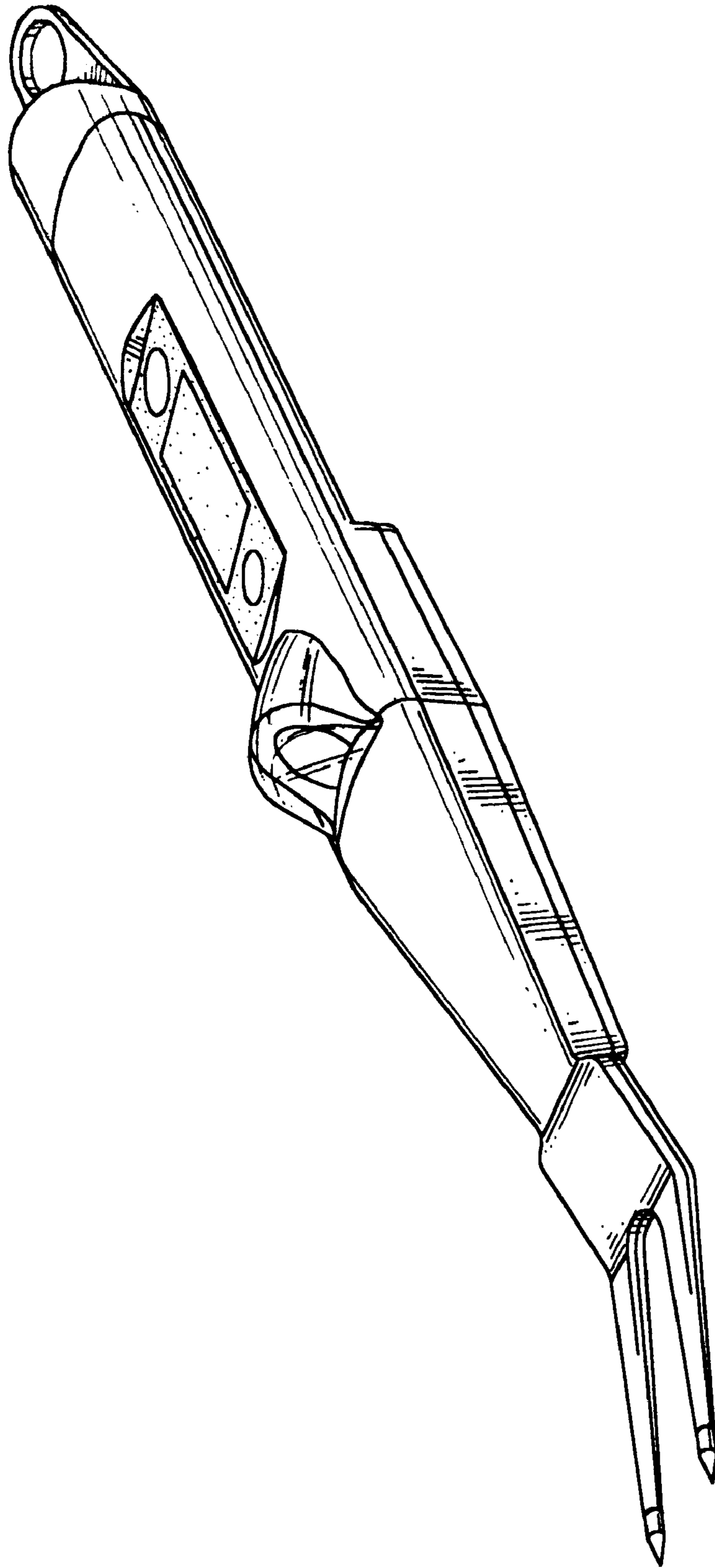


FIG.1

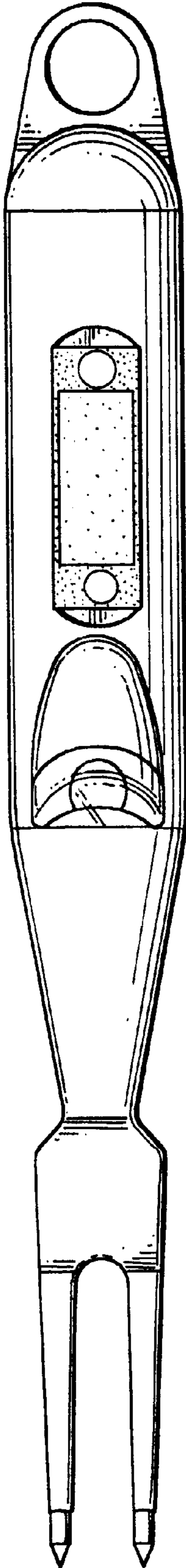


FIG. 2

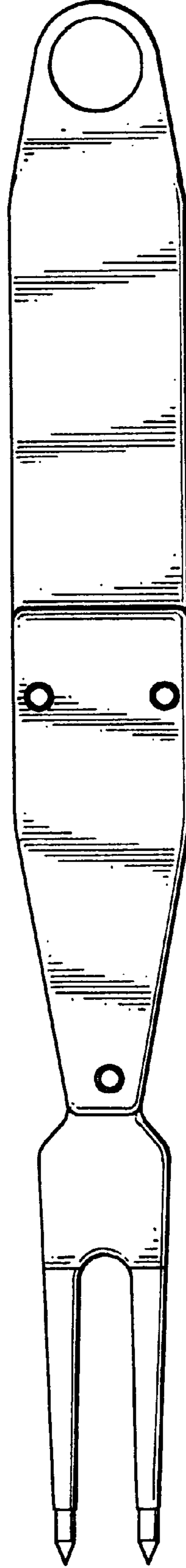


FIG. 3

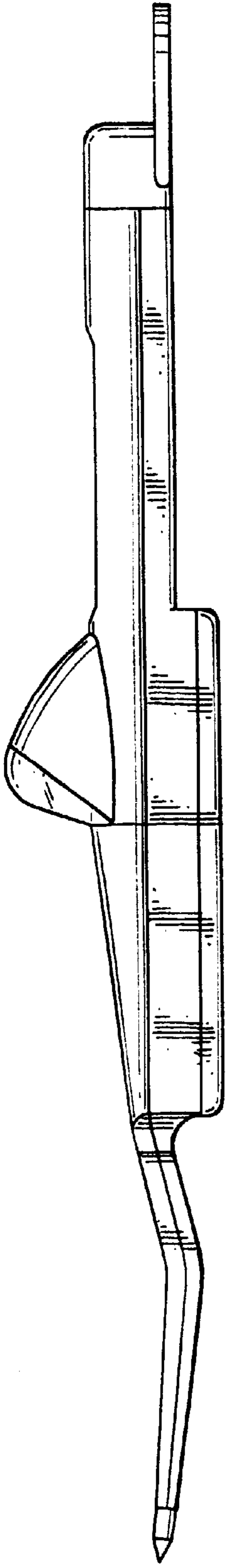


FIG. 4

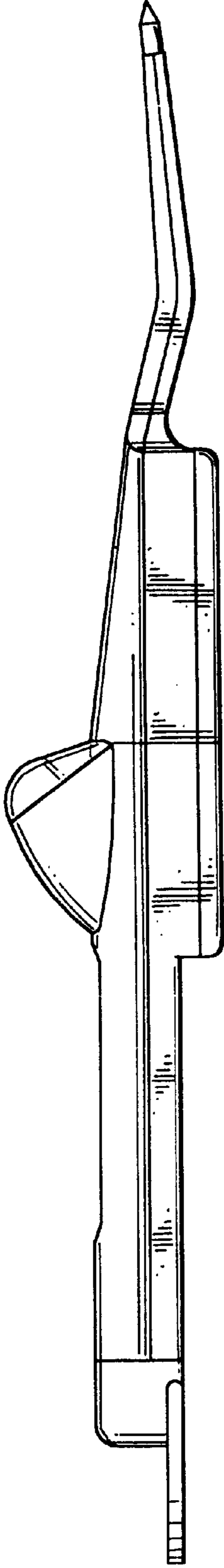


FIG. 5

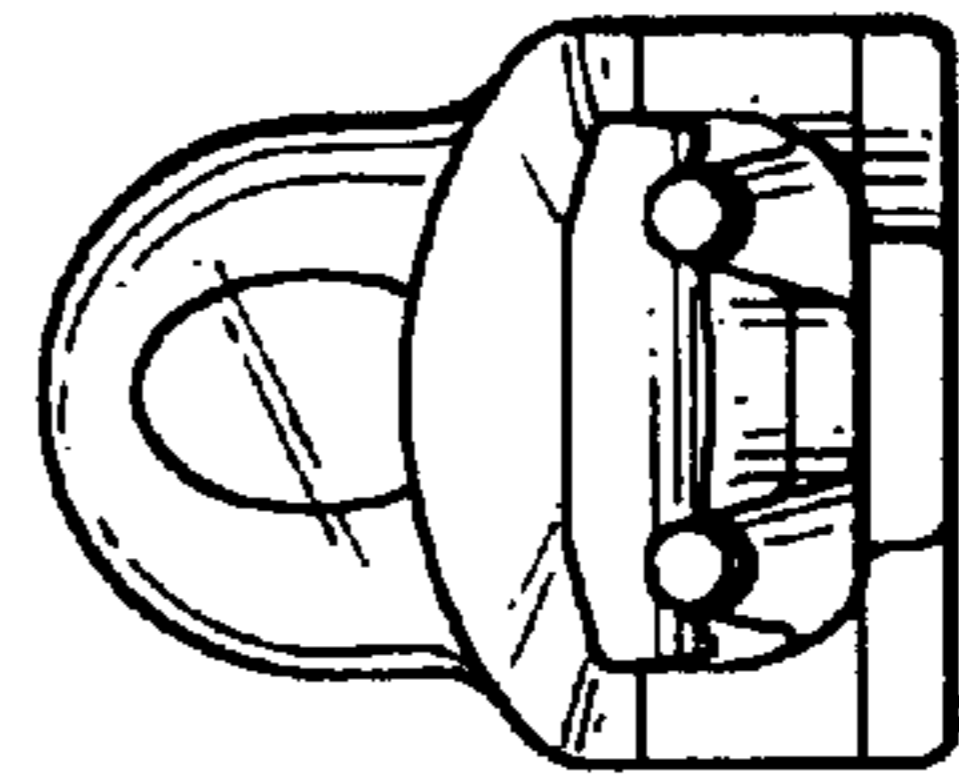


FIG. 6

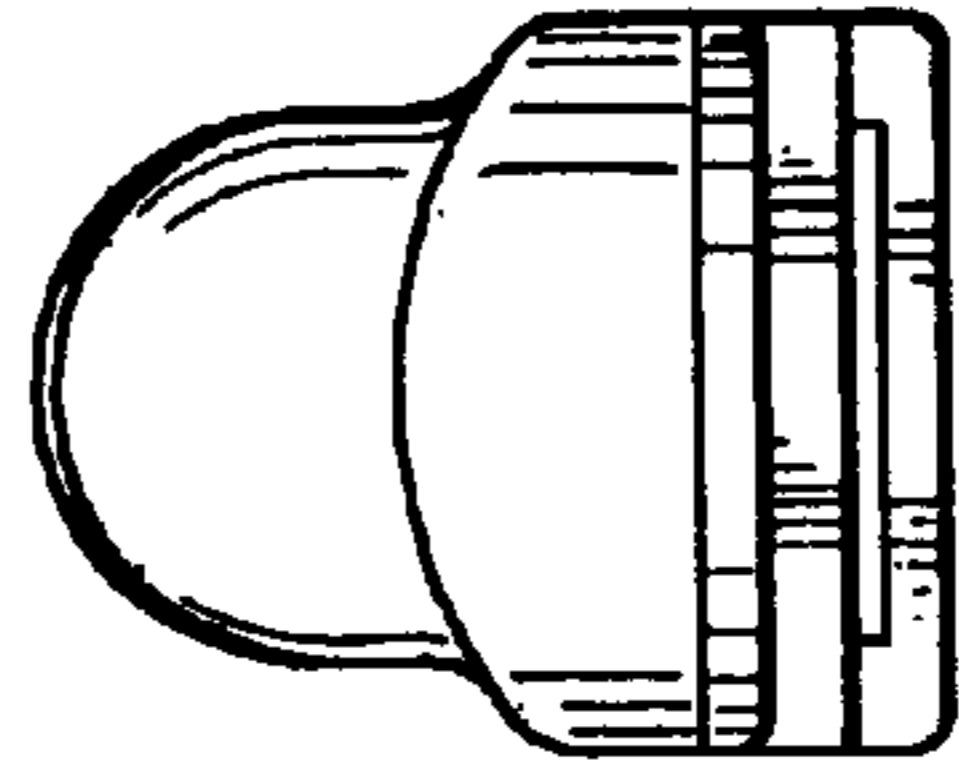


FIG. 7