



US00D442438S

(12) **United States Design Patent**
Schankowski

(10) **Patent No.:** **US D442,438 S**

(45) **Date of Patent:** **** May 22, 2001**

(54) **COMBINED COOLER AND STEREO**

Primary Examiner—Terry A. Wallace

(76) Inventor: **Nicholas G. Schankowski**, 55851 Van Dyke, Apt. F, Shelby Township, MI (US) 48316

(**) Term: **14 Years**

(21) Appl. No.: **29/103,507**

(22) Filed: **Nov. 22, 1999**

(51) **LOC (7) Cl.** **07-01**

(52) **U.S. Cl.** **D7/605**; D14/168

(58) **Field of Search** D7/605-607; D3/273, D3/274; D14/168; 62/457.1, 457.7, 371, 372; 220/592.2, 592.24, 592.25

(56) **References Cited**

U.S. PATENT DOCUMENTS

D. 351,319 * 10/1994 Long et al. D7/605

D. 352,420 * 11/1994 Costello D7/605

* cited by examiner

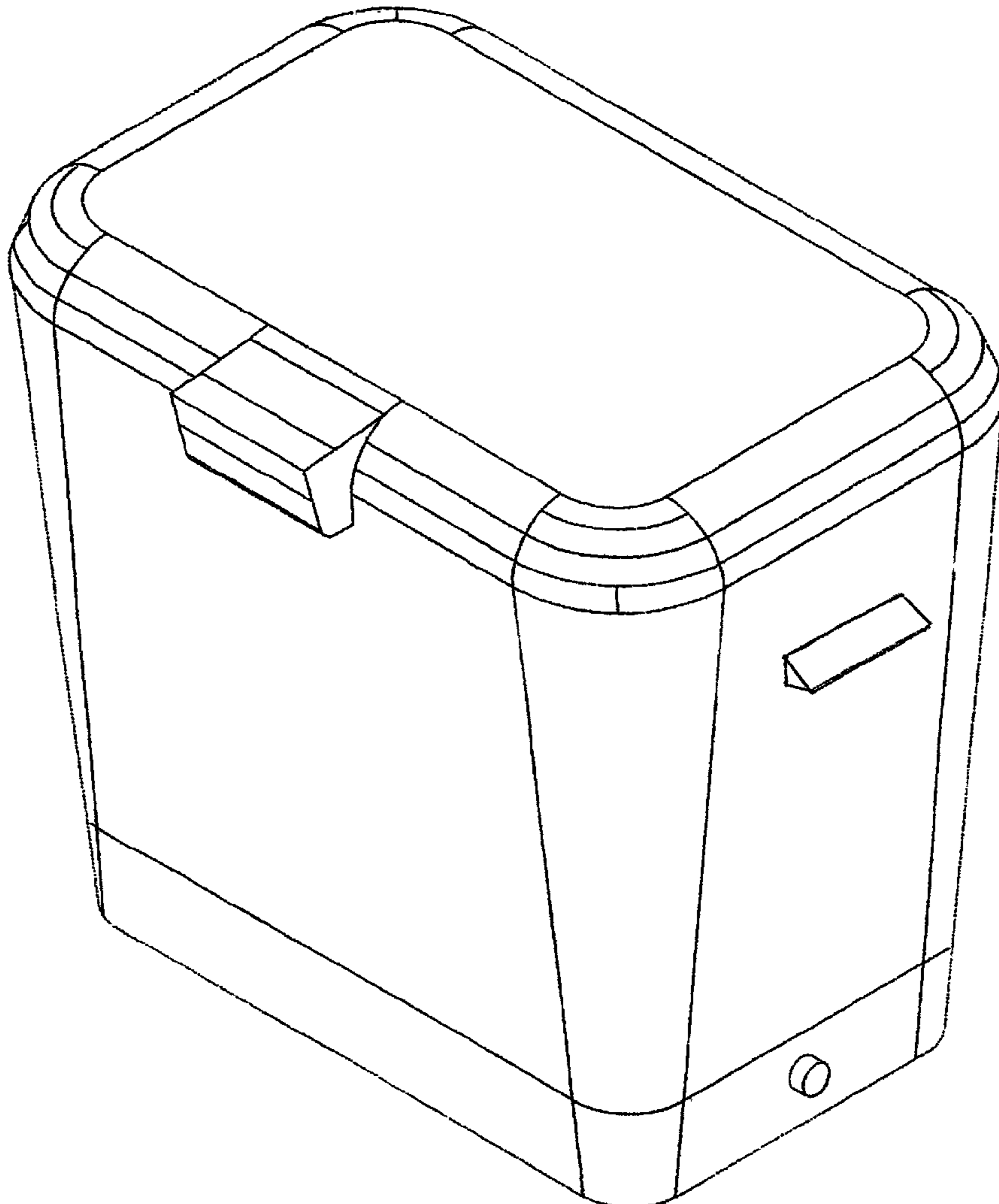
(57) **CLAIM**

The ornamental design for a combined cooler and stereo, as shown and described.

DESCRIPTION

FIG. 1 is a top, front, right side perspective view of a combined cooler and stereo unit showing my new design; FIG. 2 is an exploded front elevation view thereof; FIG. 3 is an exploded rear elevation view thereof; FIG. 4 is an exploded side elevation view thereof; FIG. 5 is an exploded opposite side elevation view thereof; FIG. 6 is a top plan view thereof; FIG. 7 is a bottom plan view thereof; and, FIG. 8 is a top perspective view of the bottom portion thereof, shown separately for clarity of illustration.

1 Claim, 3 Drawing Sheets



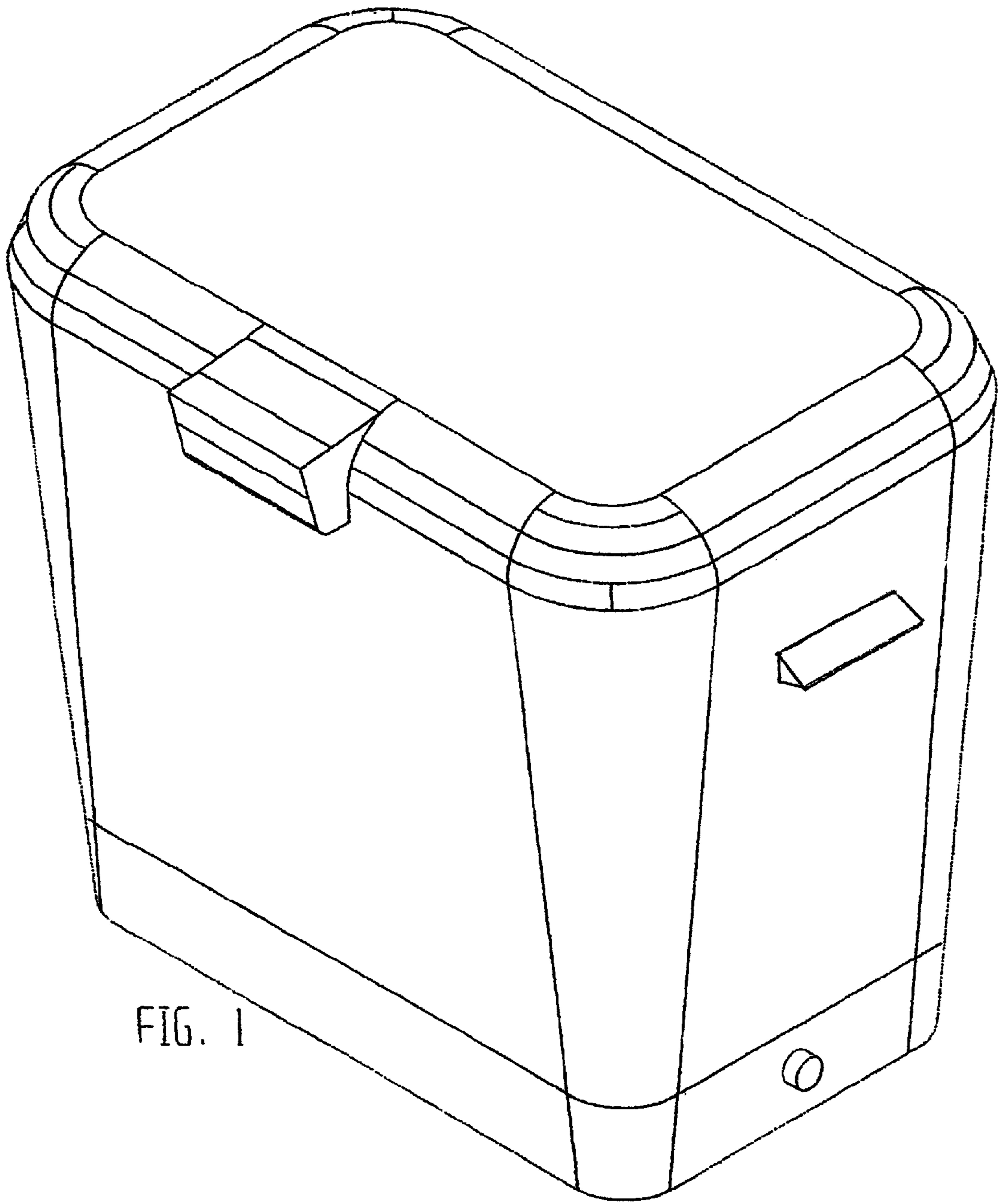


FIG. 1

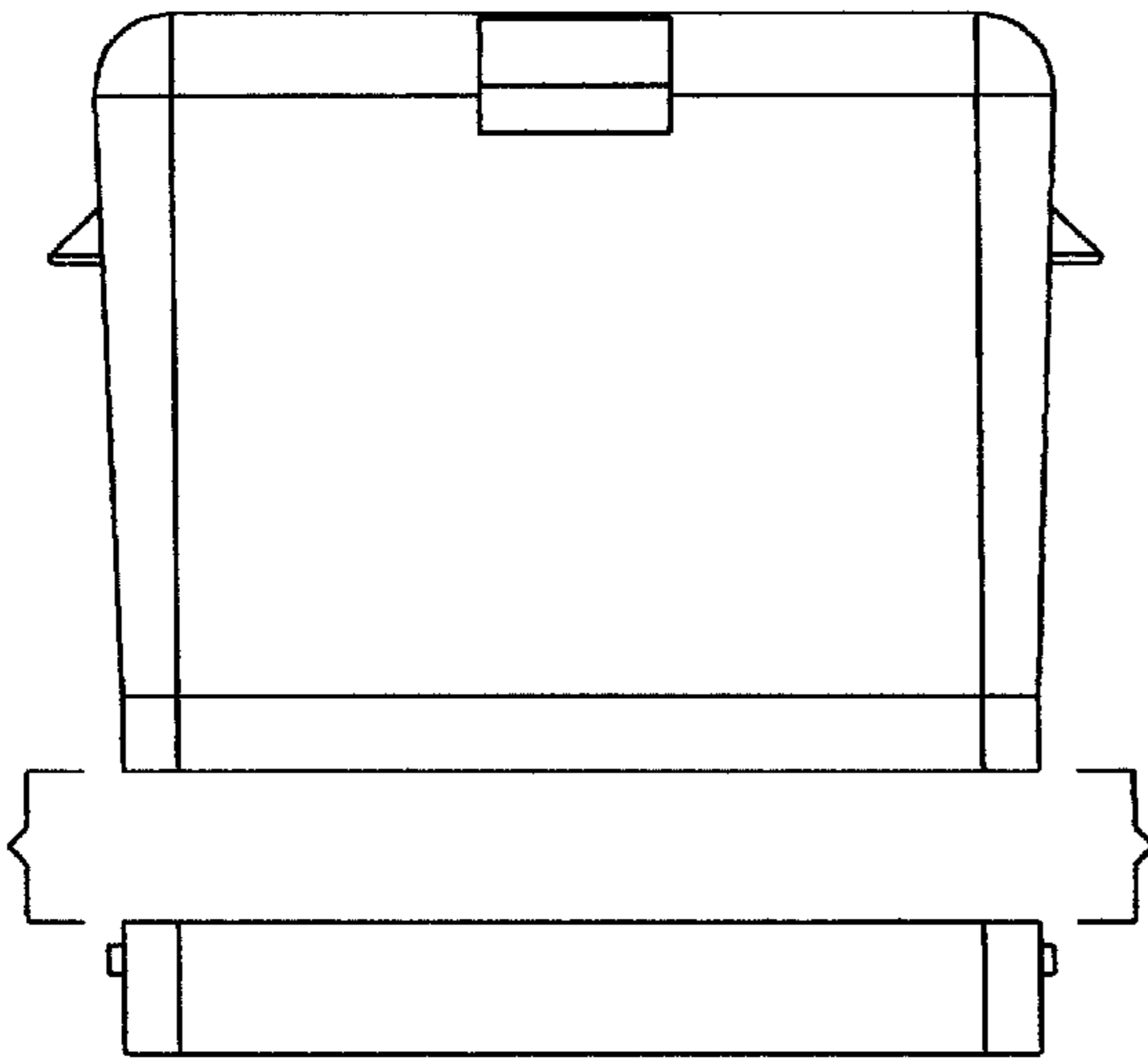


FIG. 2

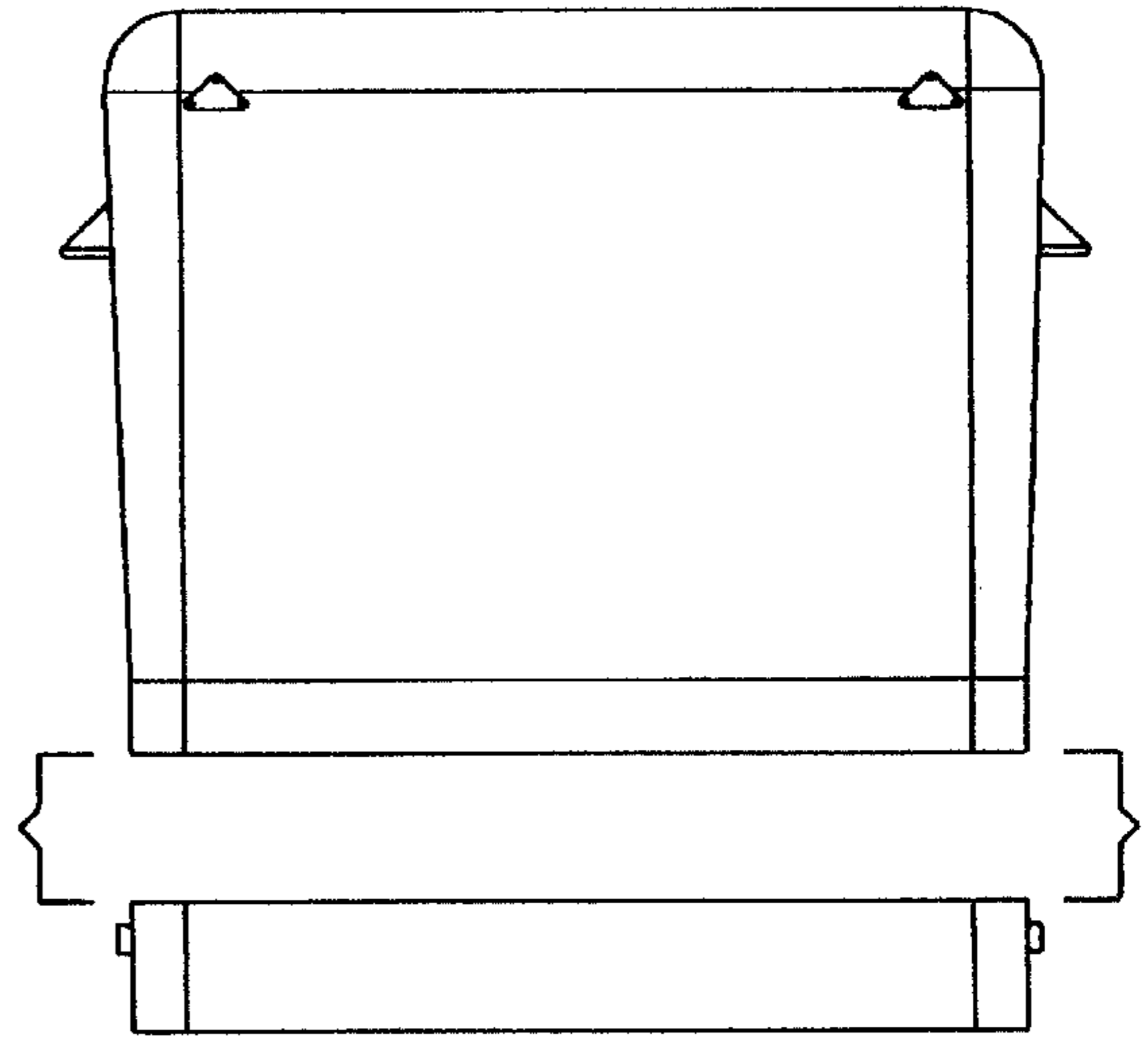


FIG. 3

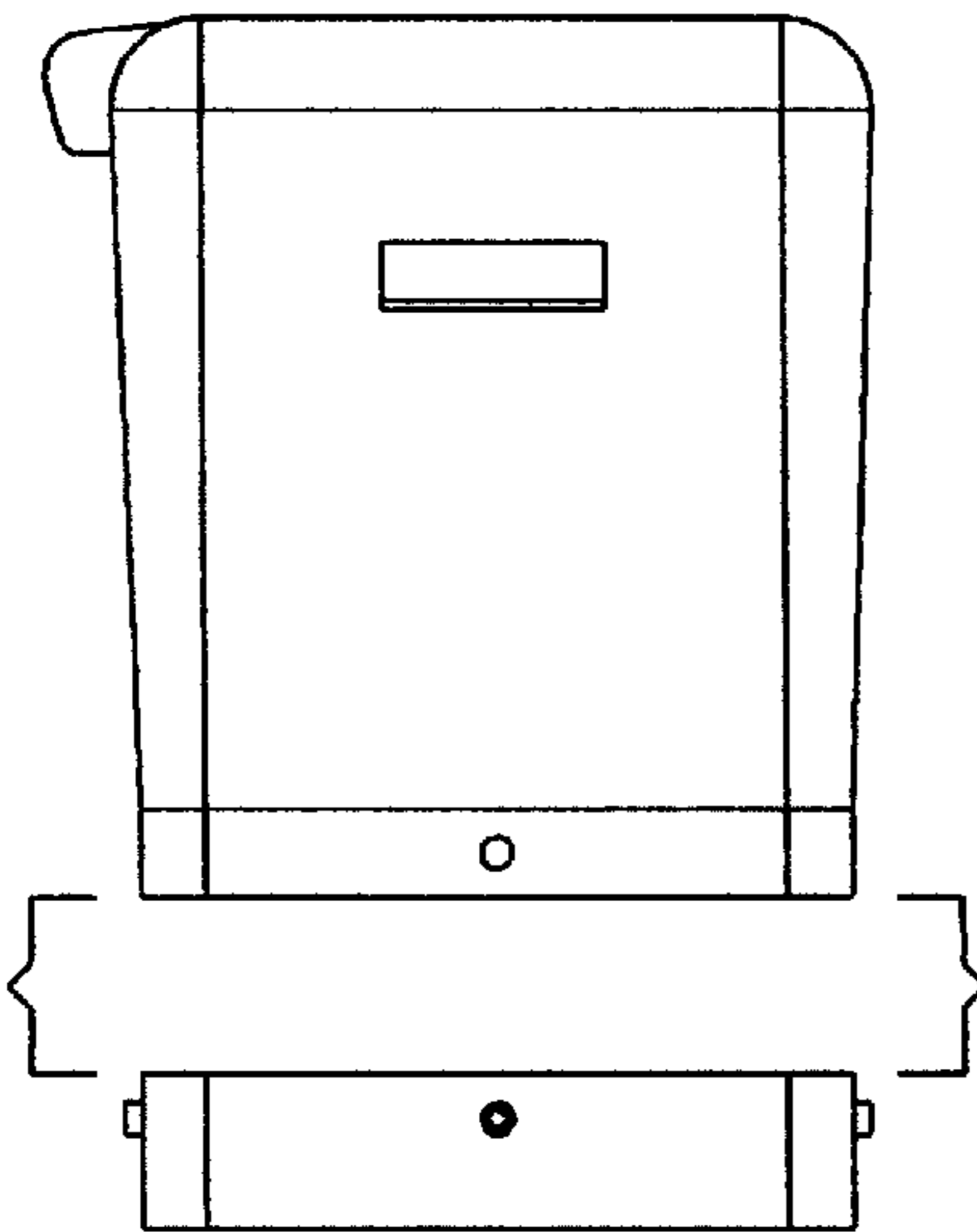


FIG. 4

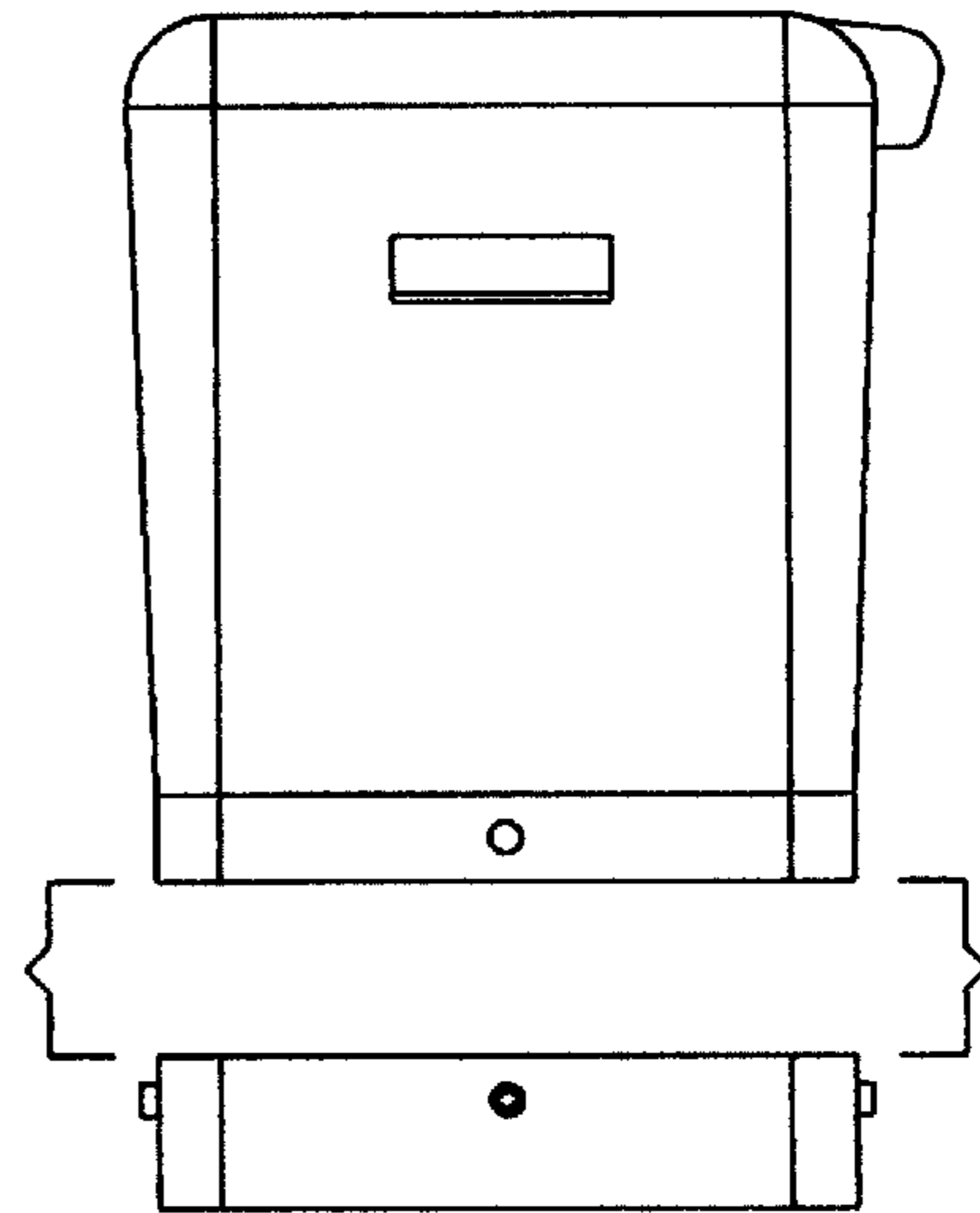


FIG. 5

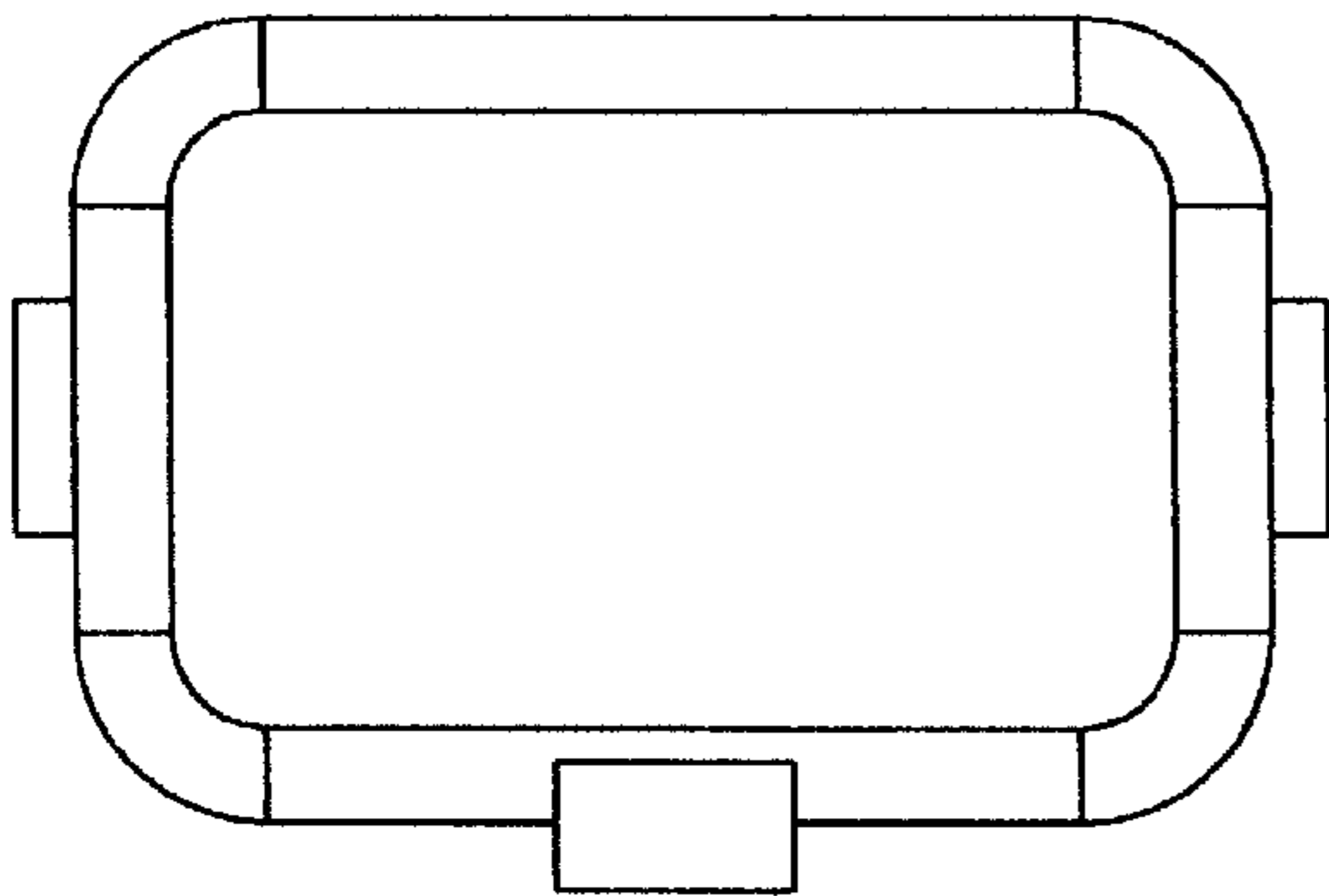


FIG 6

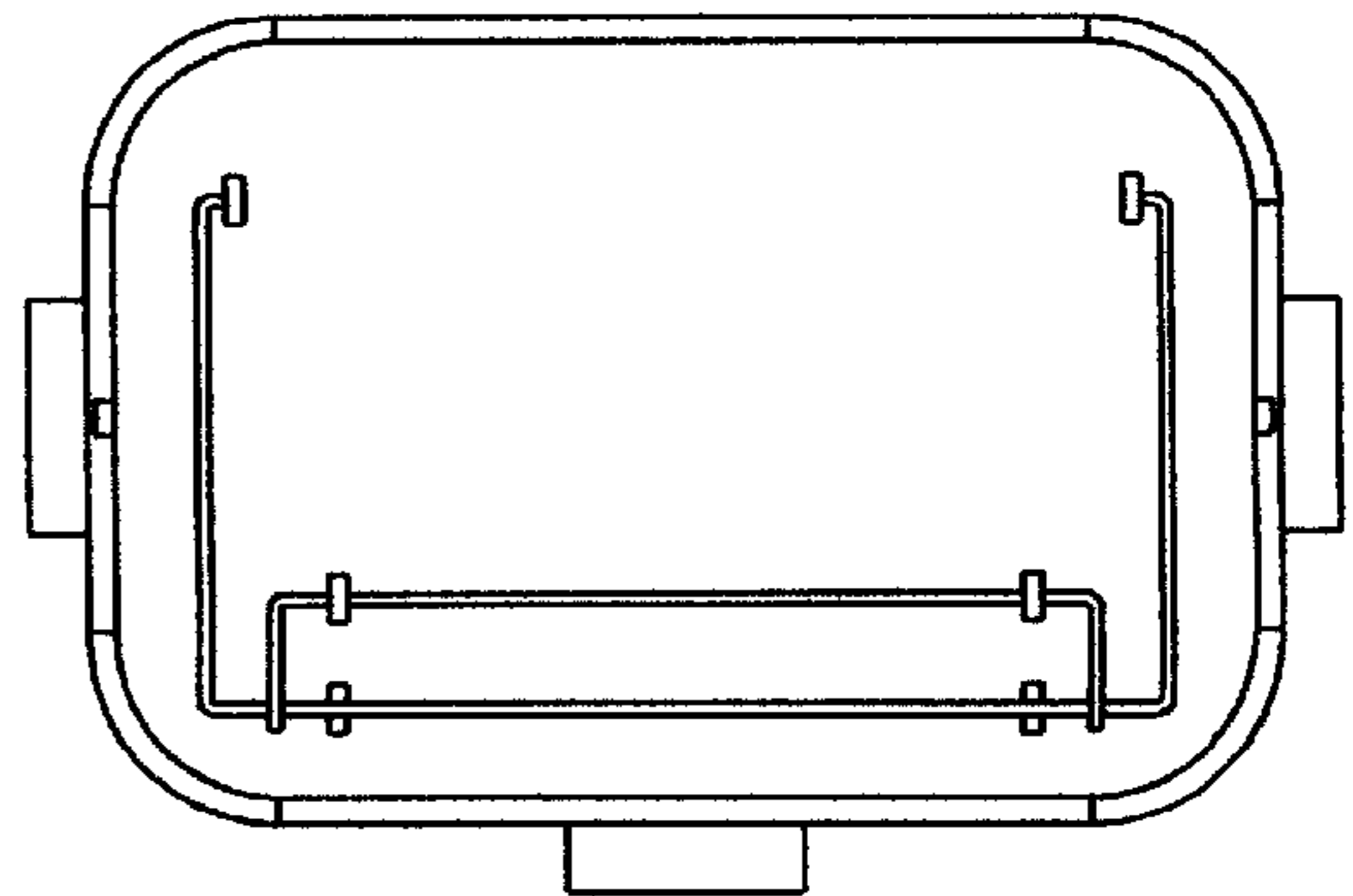


FIG 7

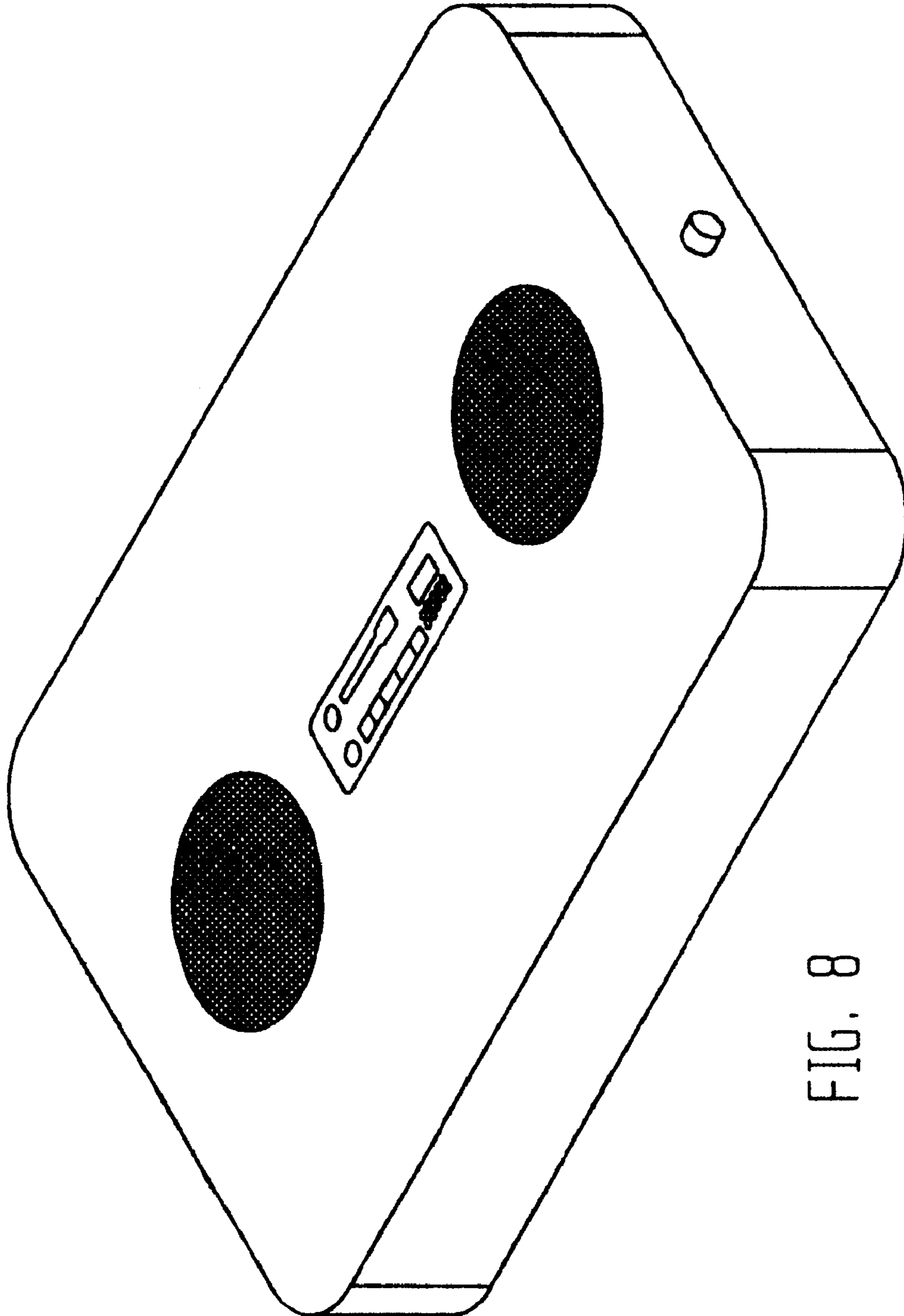


FIG. 8