



US00D442436S

(12) **United States Design Patent**
Kleckauskas et al.

(10) **Patent No.: US D442,436 S**

(45) **Date of Patent: ** May 22, 2001**

(54) **DRINKING MUG**

(75) Inventors: **Robert Kleckauskas**, St. Charles;
Bruce Ronner, Glencoe; **John P. Coursey**, Chicago; **Rita Siffuentes**,
Melrose Park; **Robert Giacolo**,
Woodridge; **David W. Heidlauf**,
Libertyville, all of IL (US)

(73) Assignee: **Arrow Plastic Manufacturing Co.**, Elk
Grove Village, IL (US)

(**) Term: **14 Years**

(21) Appl. No.: **29/131,507**

(22) Filed: **Oct. 24, 2000**

(51) **LOC (7) Cl. 07-01**

(52) **U.S. Cl. D7/511; D7/533; D7/507**

(58) **Field of Search** D7/515, 534, 533,
D7/510, 507, 511, 509, 514, 516, 517,
520, 608, 300.1; 222/80, 132; 206/217,
527; 220/710.5, 715, 713; D9/540

(56) **References Cited**

U.S. PATENT DOCUMENTS

D. 65,527	9/1924	Graham .	
D. 94,000	12/1934	Sebring .	
D. 96,566	8/1935	Straus .	
D. 185,971	8/1959	Saffer .	
D. 186,535	11/1959	Saffer .	
D. 232,797	9/1974	Doolittle .	
D. 242,416	11/1976	Achenbach .	
D. 243,816	3/1977	Achenbach .	
D. 269,578	7/1983	Straubinger .	
D. 285,035	8/1986	Petrasek .	
D. 290,323 *	6/1987	Weernink	D7/511
D. 292,462	10/1987	Petrasek .	
D. 292,463	10/1987	Petrasek .	

D. 292,464	10/1987	Petrasek .	
307,297	10/1884	Habenicht .	
D. 322,218 *	12/1991	Lynd	D9/556
D. 340,836	11/1993	Cautereels .	
D. 347,763 *	6/1994	Kleckauskas et al.	D7/533
D. 356,231 *	3/1995	Peyton, Jr.	D7/510
D. 361,244 *	8/1995	Thompson	D7/515
D. 401,106 *	11/1998	Valentinitsch	D7/300.1
D. 404,256 *	1/1999	Asberg	D7/511
D. 407,946 *	4/1999	Brewer et al.	D7/510
D. 408,220 *	4/1999	Chomik	D7/510
D. 408,689 *	4/1999	Kato	D7/608
D. 412,120 *	7/1999	Payne et al.	D9/540
2,355,010	8/1944	Pera .	
2,599,919	6/1952	Hucknall .	
2,687,628	8/1954	Cunningham .	
2,747,387	5/1956	Sweem .	
4,016,998	4/1977	Finch .	
4,239,175	12/1980	Straubinger .	

* cited by examiner

Primary Examiner—M. N. Pandozzi

(74) *Attorney, Agent, or Firm*—Rockey, Milnamow & Katz, Ltd.

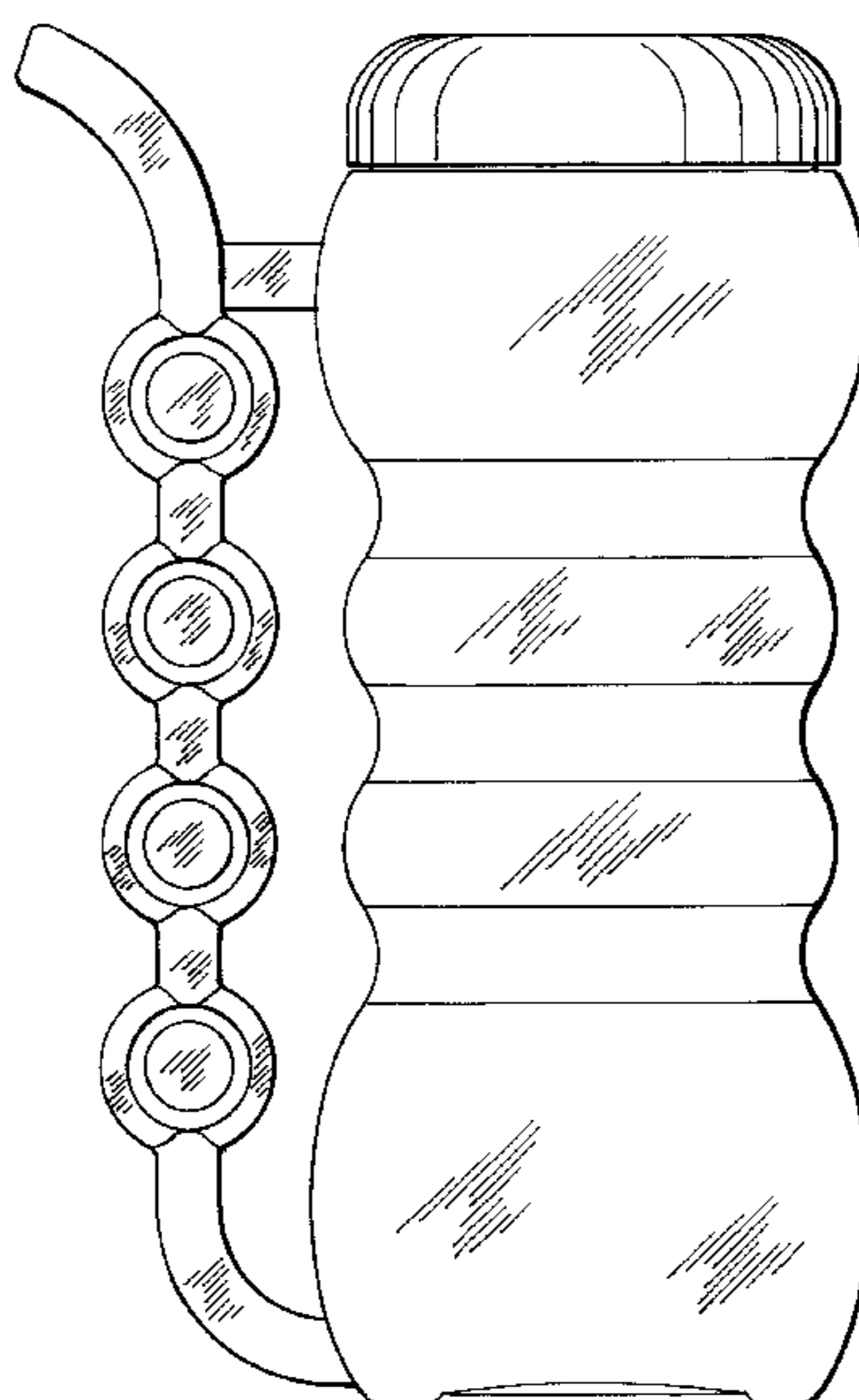
(57) **CLAIM**

The ornamental design for a drinking mug, substantially as shown and described.

DESCRIPTION

FIG. 1 is a perspective view of a drinking mug showing our new design;
FIG. 2 is a right side elevational view with the left side elevational view being a mirror image thereof;
FIG. 3 is a rear elevational view thereof;
FIG. 4 is a front elevational view thereof;
FIG. 5 is a top plan view thereof; and,
FIG. 6 is a bottom plan view thereof.

1 Claim, 3 Drawing Sheets



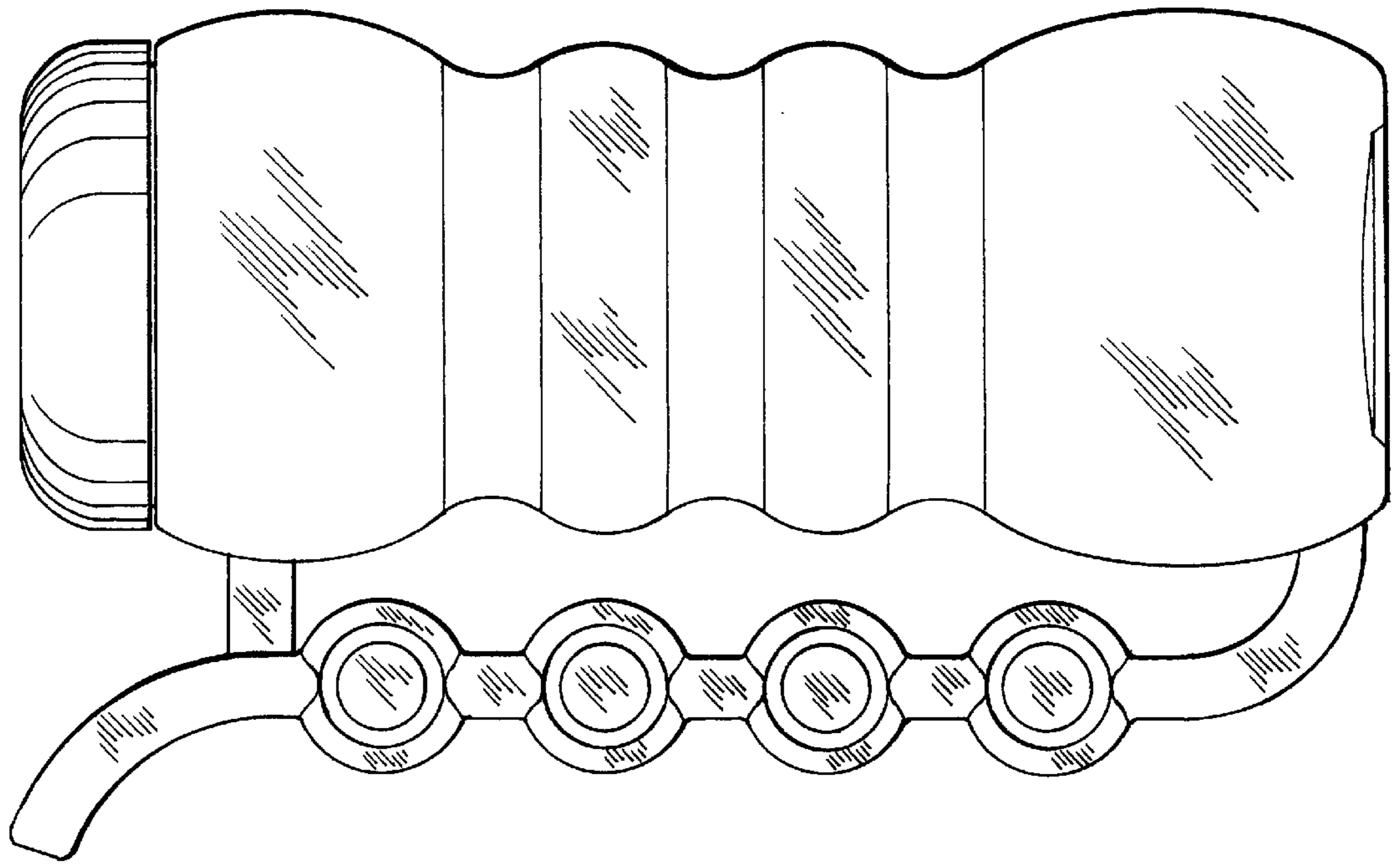


FIG. 2

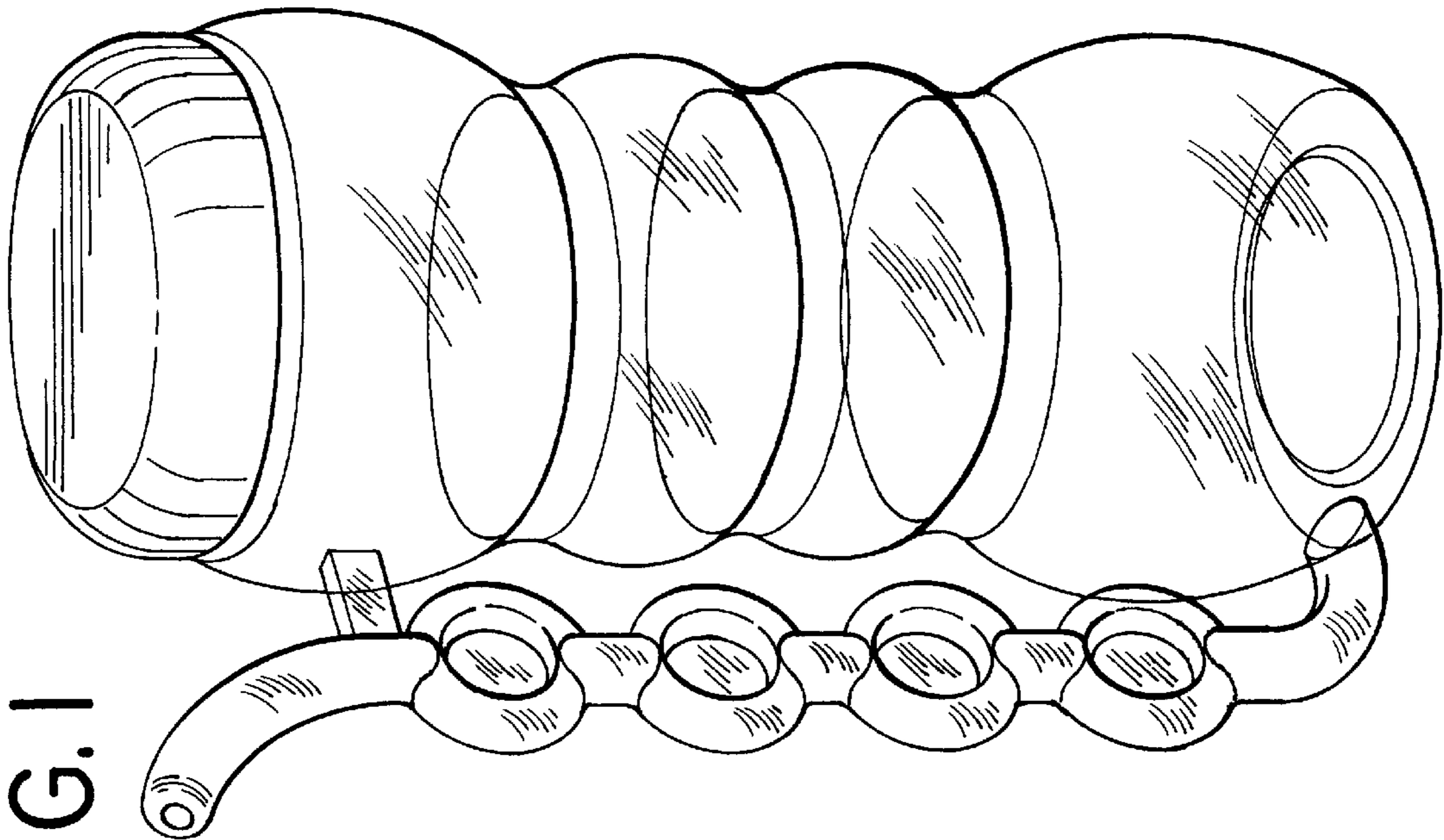


FIG. 1

FIG.3

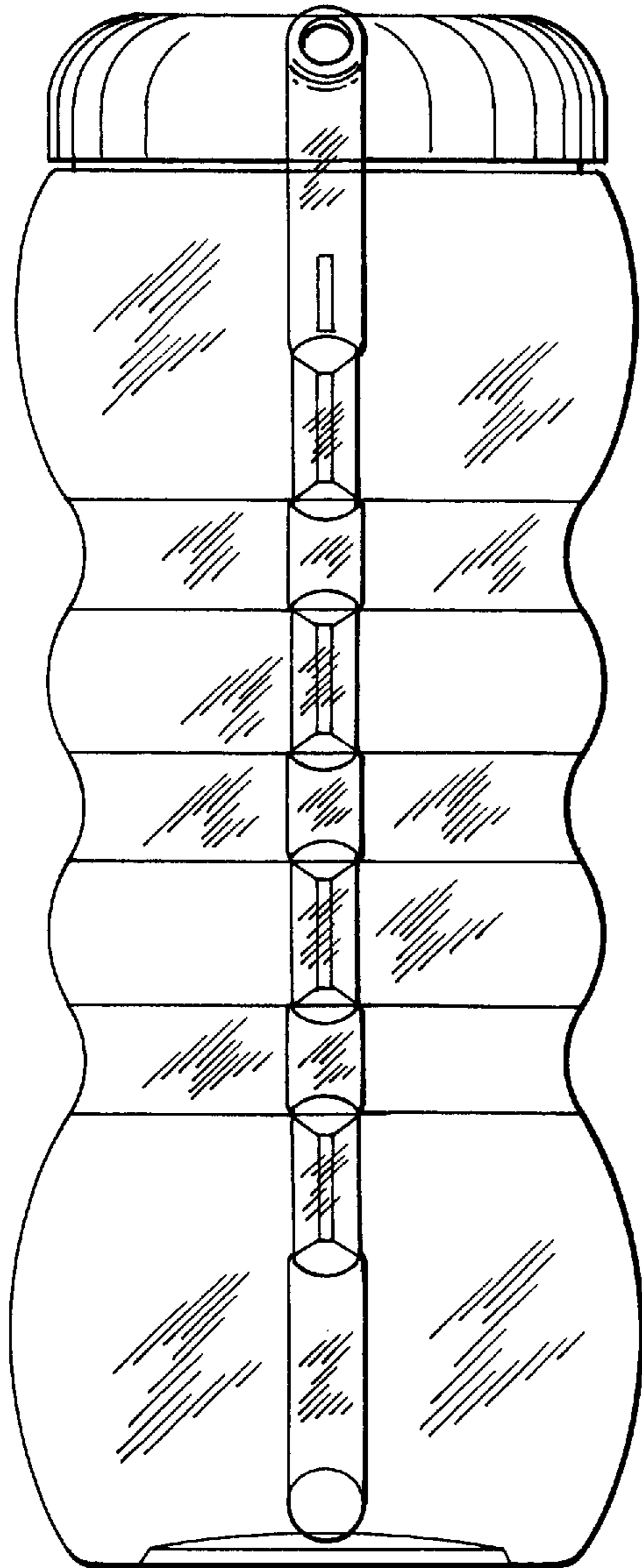


FIG.4

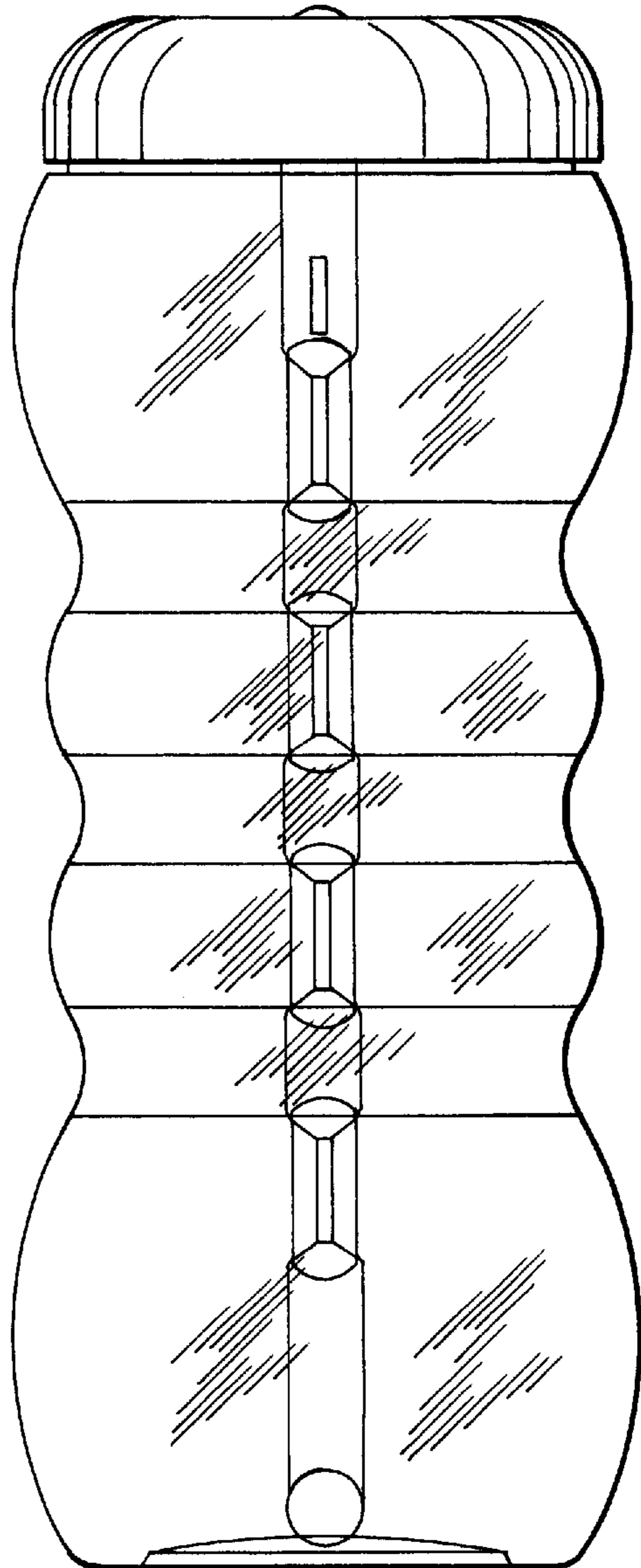


FIG.5

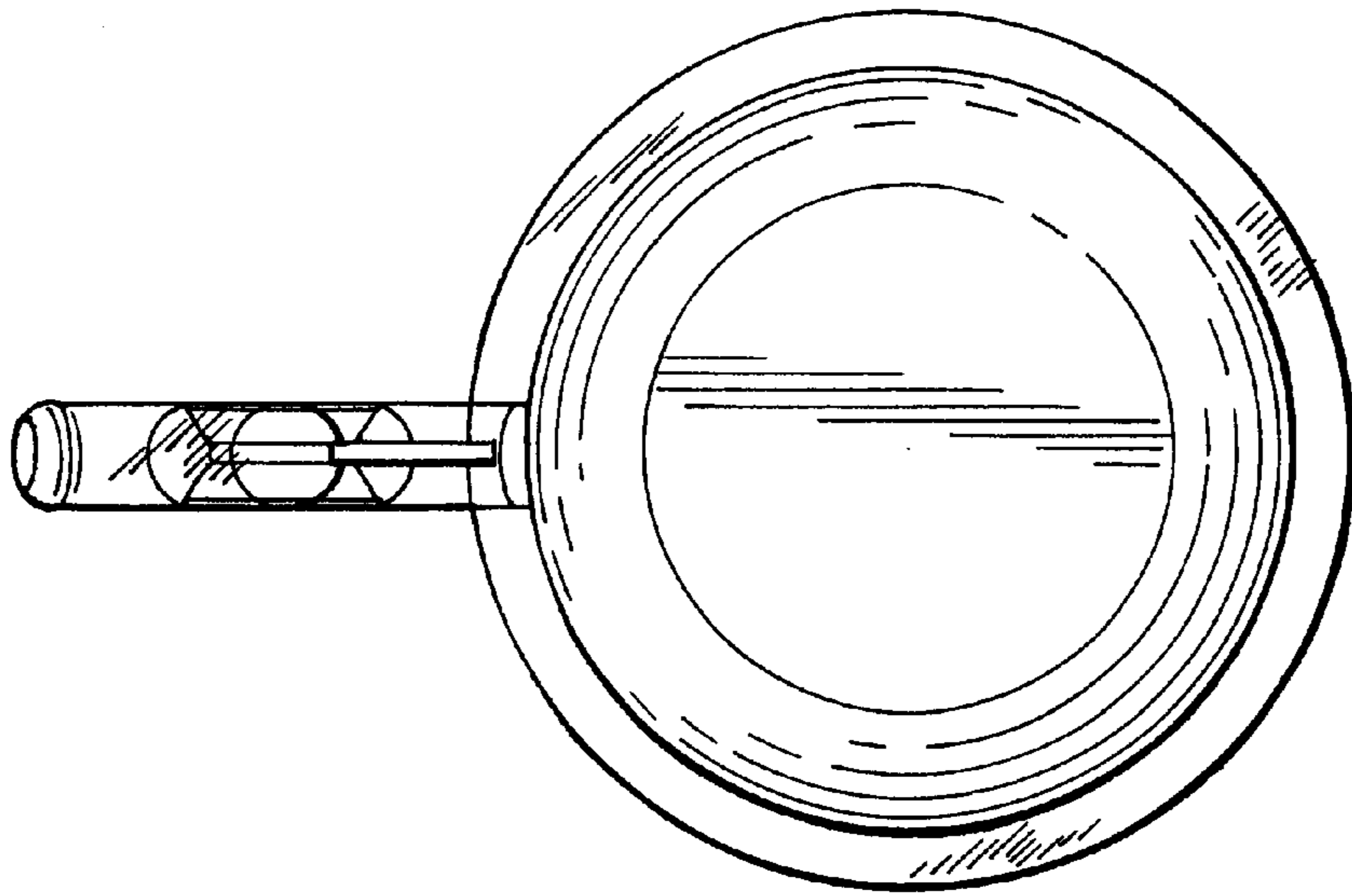


FIG.6

