



US00D442435S

(12) **United States Design Patent**
Takagi

(10) **Patent No.:** **US D442,435 S**

(45) **Date of Patent:** **** May 22, 2001**

(54) **STRAW CUP**

(75) Inventor: **Hitoshi Takagi**, Tokyo (JP)

(73) Assignee: **Pigeon Corporation**, Tokyo (JP)

(**) Term: **14 Years**

(21) Appl. No.: **29/129,326**

(22) Filed: **Sep. 13, 2000**

(30) **Foreign Application Priority Data**

Apr. 5, 2000 (AU) 1097/2000

(51) **LOC (7) Cl.** **07-01**

(52) **U.S. Cl.** **D7/510; D7/511; D7/534;**
D7/533

(58) **Field of Search** D7/533, 536, 510,
D7/511, 534, 509, 507; 270/714, 713, 254,
630, 669, 715, 771; D24/197; 222/80, 132;
215/307; D9/533

(56) **References Cited**

U.S. PATENT DOCUMENTS

- D. 216,730 * 3/1970 Carslaw D7/510
- D. 315,212 * 3/1991 Oknuki D24/197
- D. 326,796 * 6/1992 Kawano D7/510
- D. 341,892 * 11/1993 Yagi D24/197
- D. 347,552 * 6/1994 Green D7/534
- D. 354,416 * 1/1995 Cautereels et al. D7/507

- D. 358,297 * 5/1995 Garneau D7/510
- D. 417,591 * 12/1999 Roehrig D7/510
- D. 421,878 * 3/2000 Roehrig D7/510
- D. 425,994 * 5/2000 Hakim D24/197
- D. 433,143 * 10/2000 Chomik et al. D24/197
- 4,508,235 * 4/1985 Steele et al. 215/307

* cited by examiner

Primary Examiner—M. N. Pandozzi

(74) *Attorney, Agent, or Firm*—Bacon & Thomas, PLLC

(57) **CLAIM**

The ornamental design for straw cup, as shown and described.

DESCRIPTION

FIG. 1 is a perspective view of straw cup embodying my new design;
 FIG. 2 is a front elevational view thereof;
 FIG. 3 is a right side elevational view thereof;
 FIG. 4 is a rear elevational view thereof;
 FIG. 5 is a left side elevational view thereof;
 FIG. 6 is a top plan view thereof;
 FIG. 7 is a bottom plan view thereof;
 FIG. 8 is a longitudinal sectional view taken along the line 8—8 of FIG. 6;
 FIG. 9 is a front elevational view thereof in use; and,
 FIG. 10 is a top plan elevational view thereof in use.

1 Claim, 9 Drawing Sheets

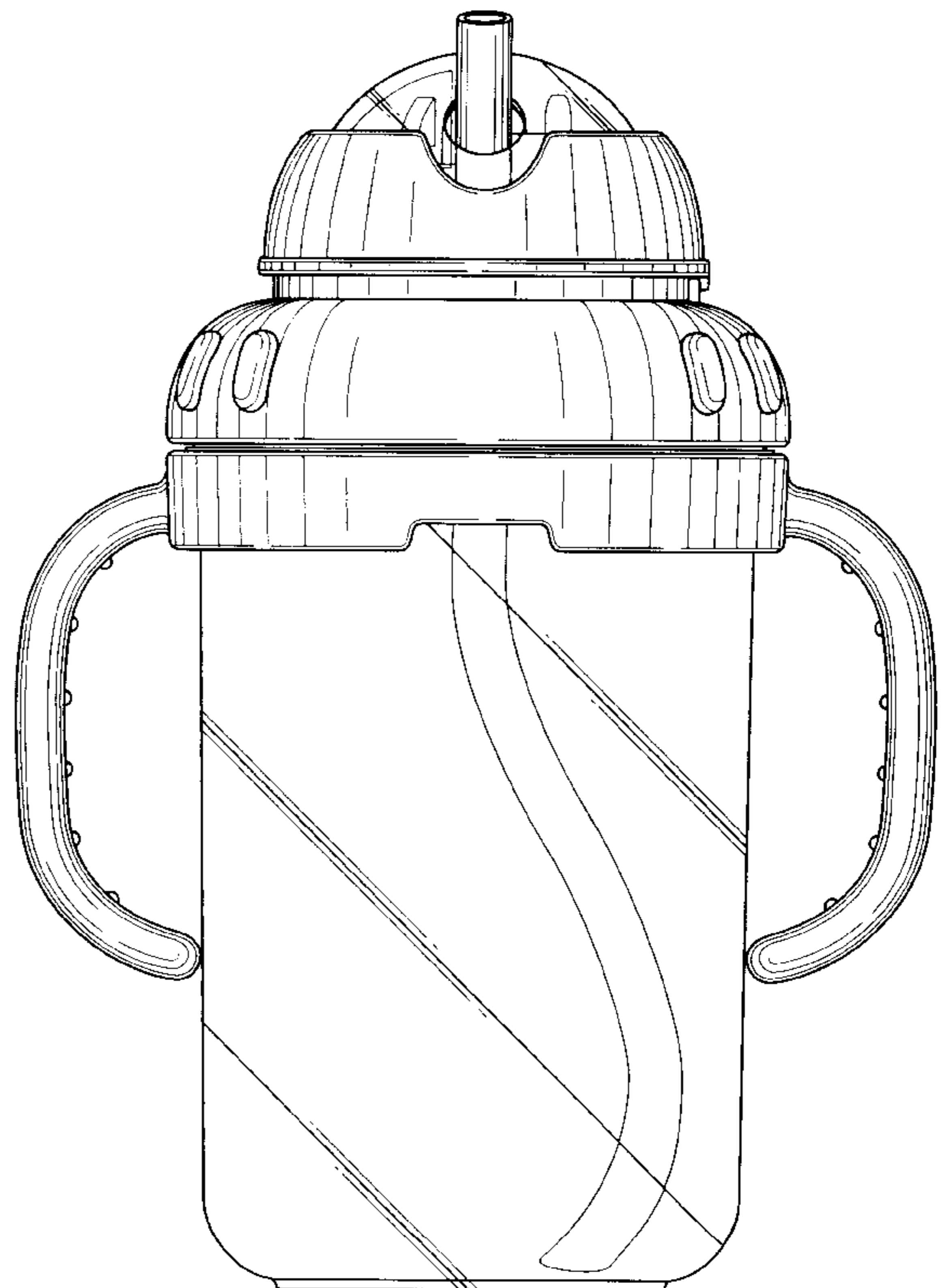
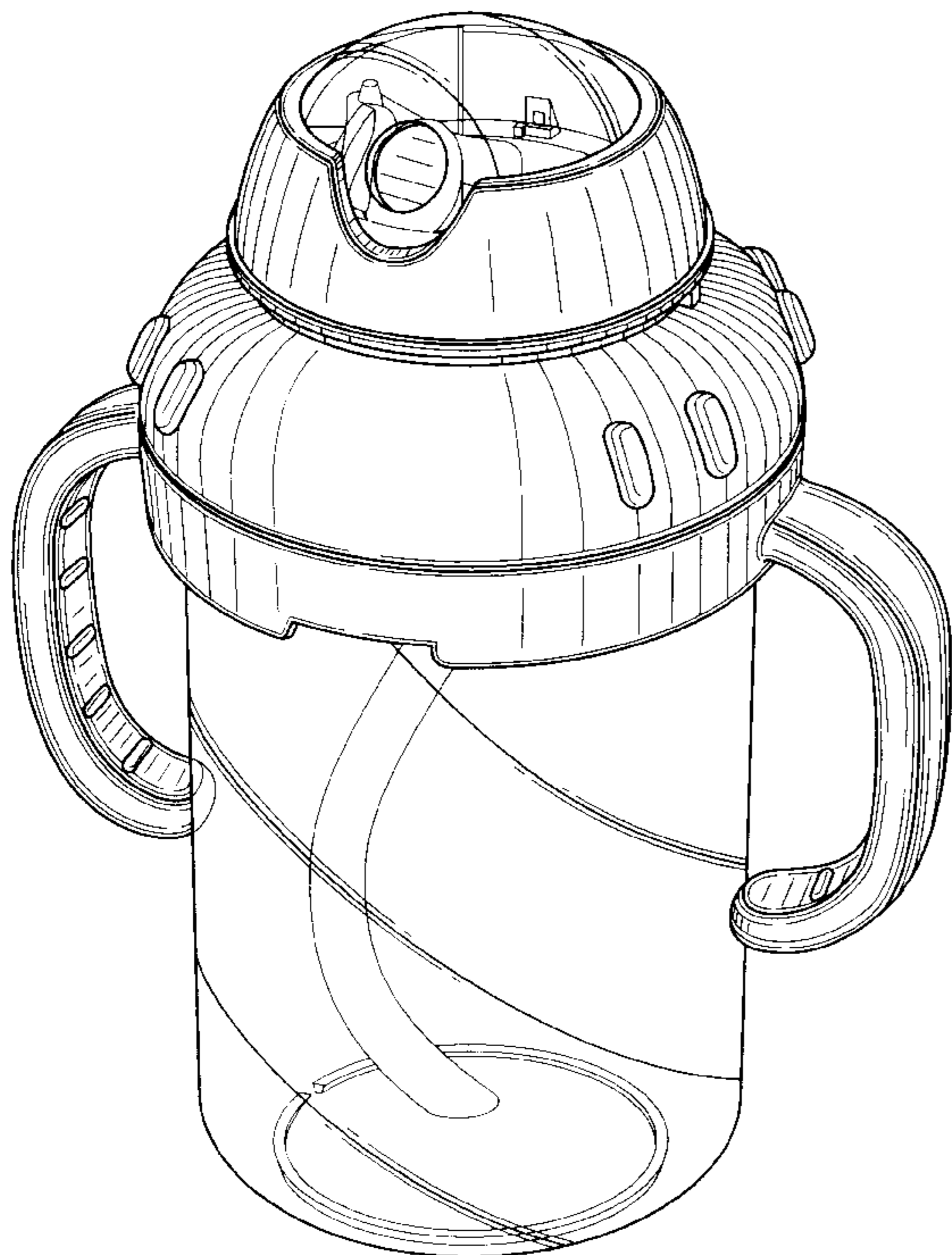


FIG. 1

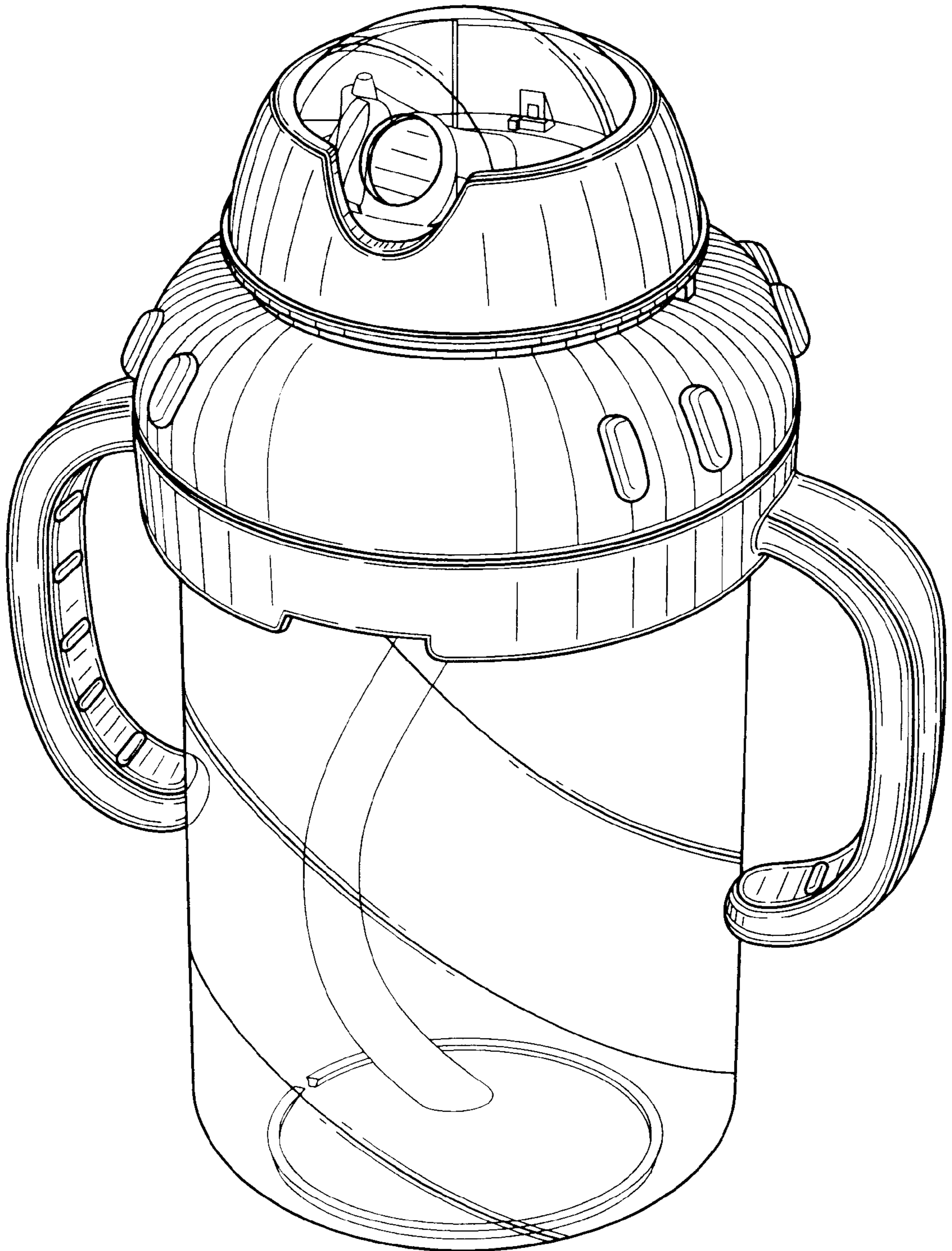


FIG. 2

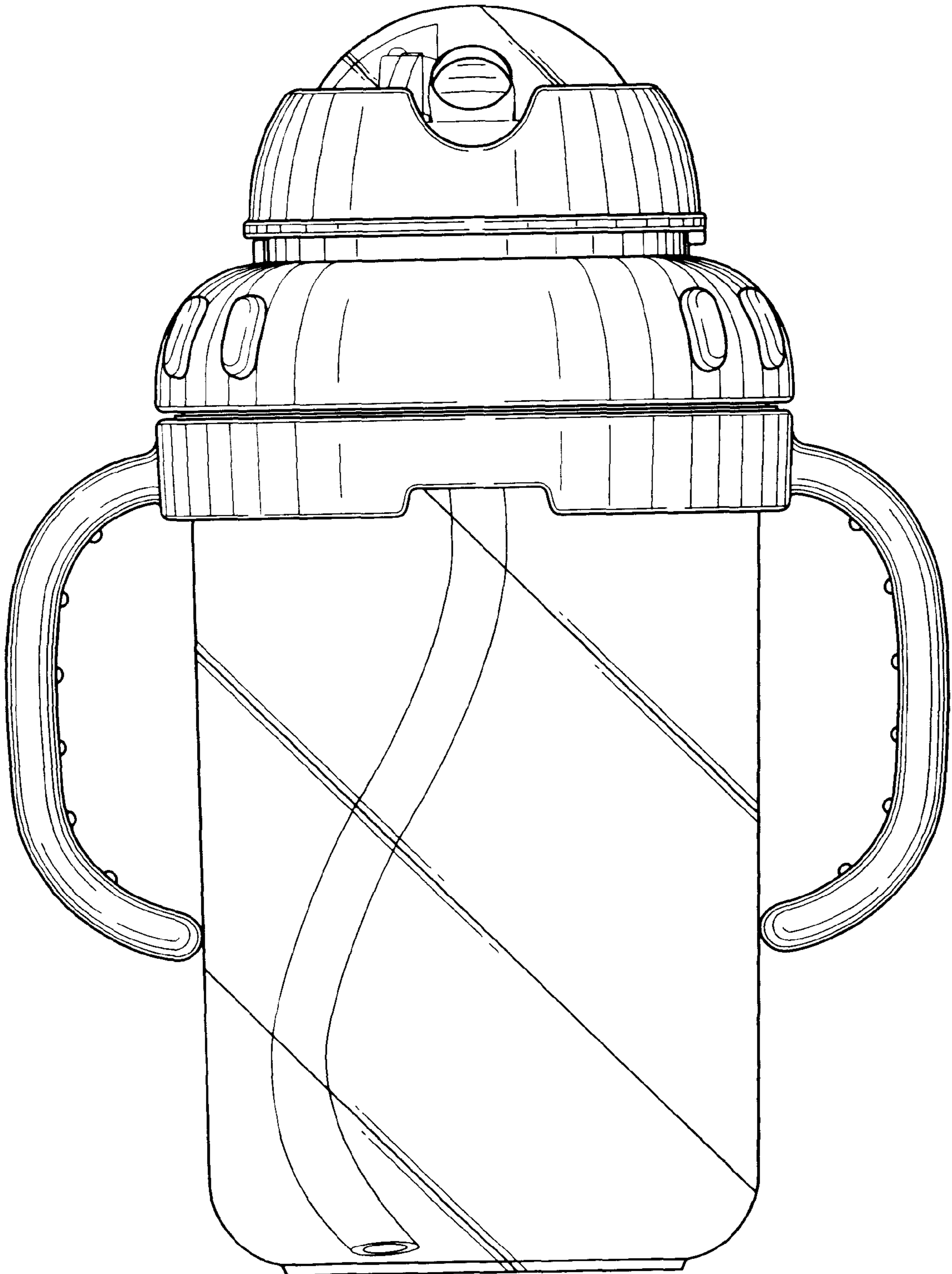


FIG. 3

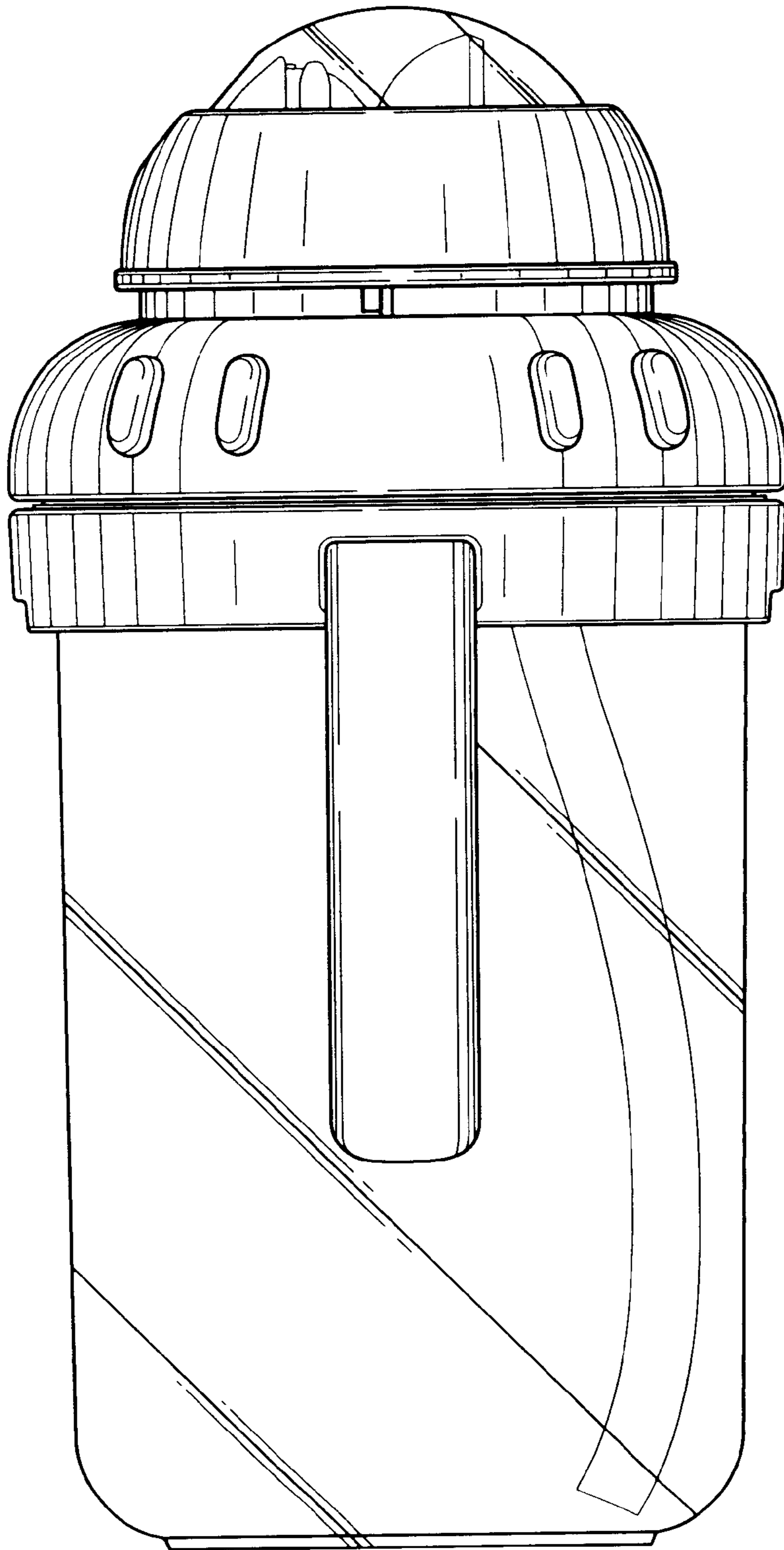


FIG. 4

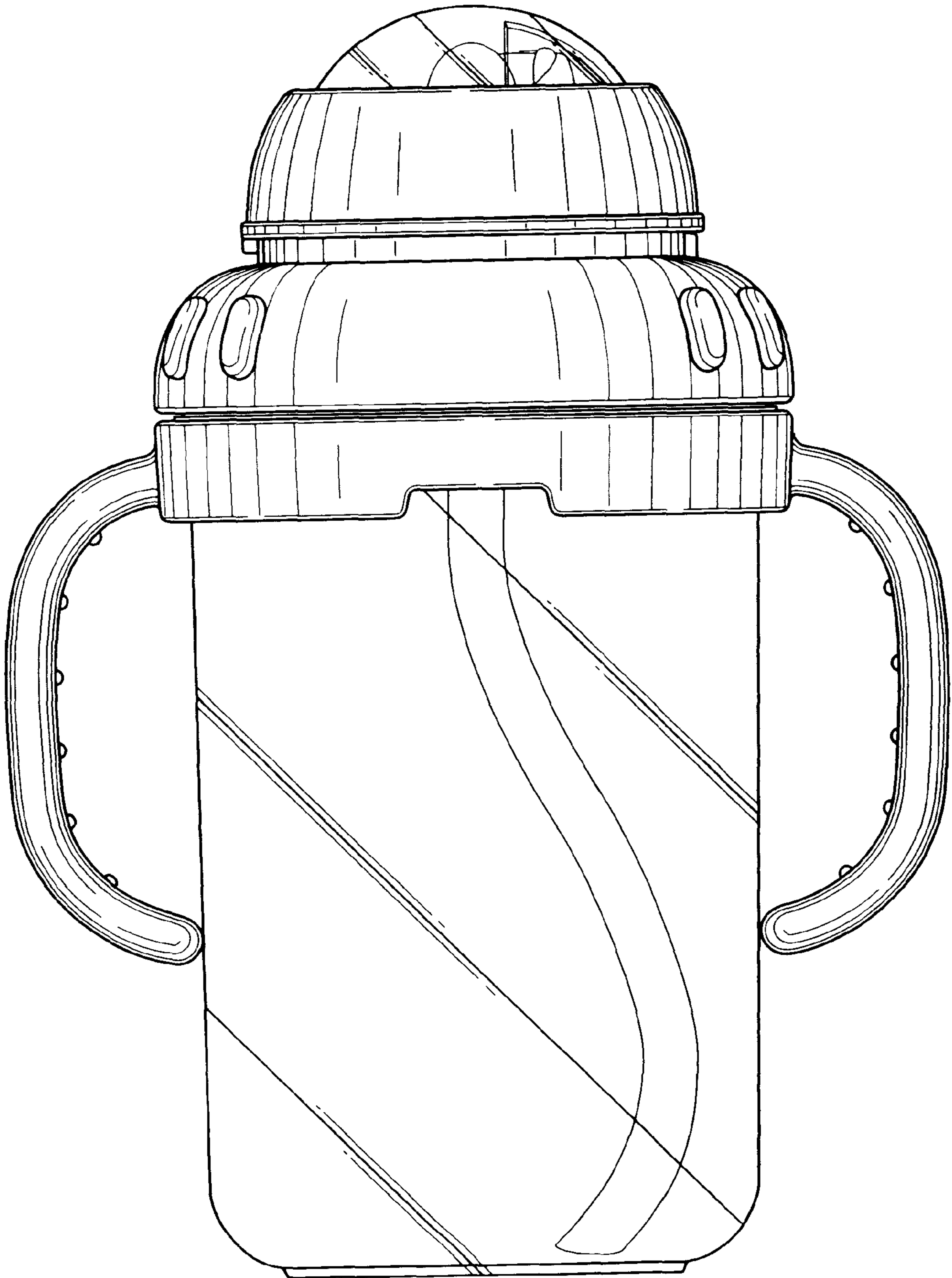


FIG. 5

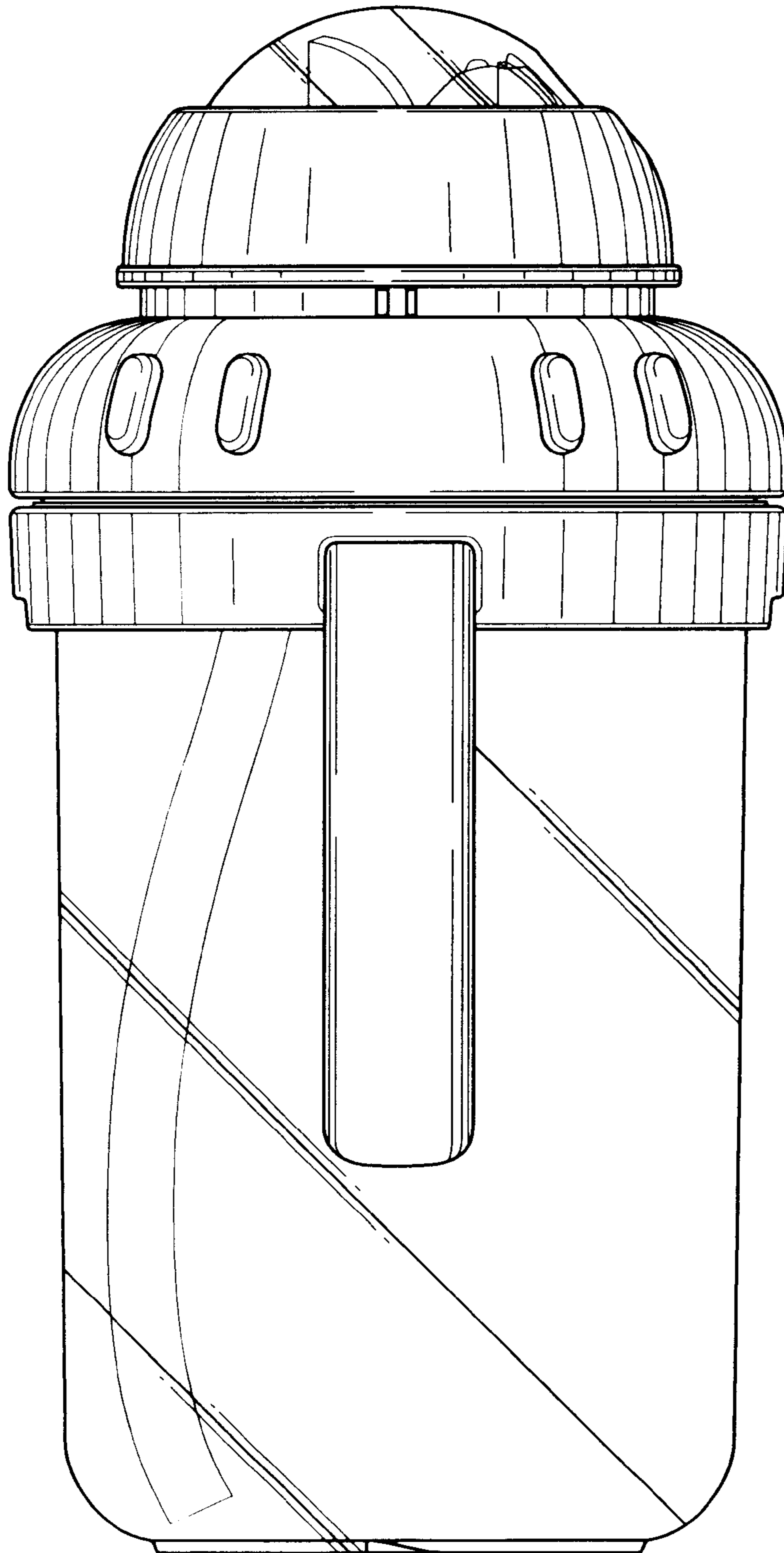


FIG. 6

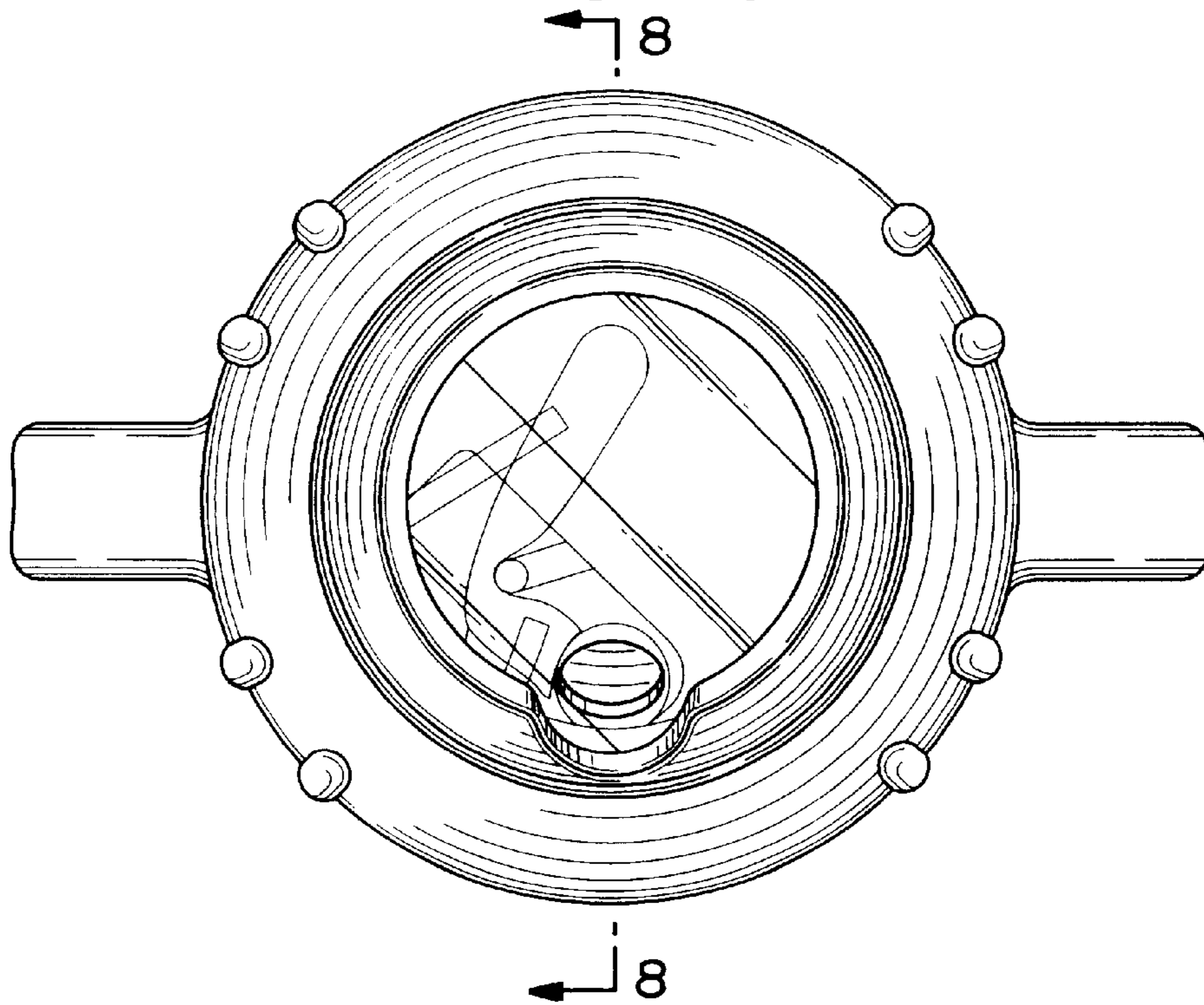


FIG. 7

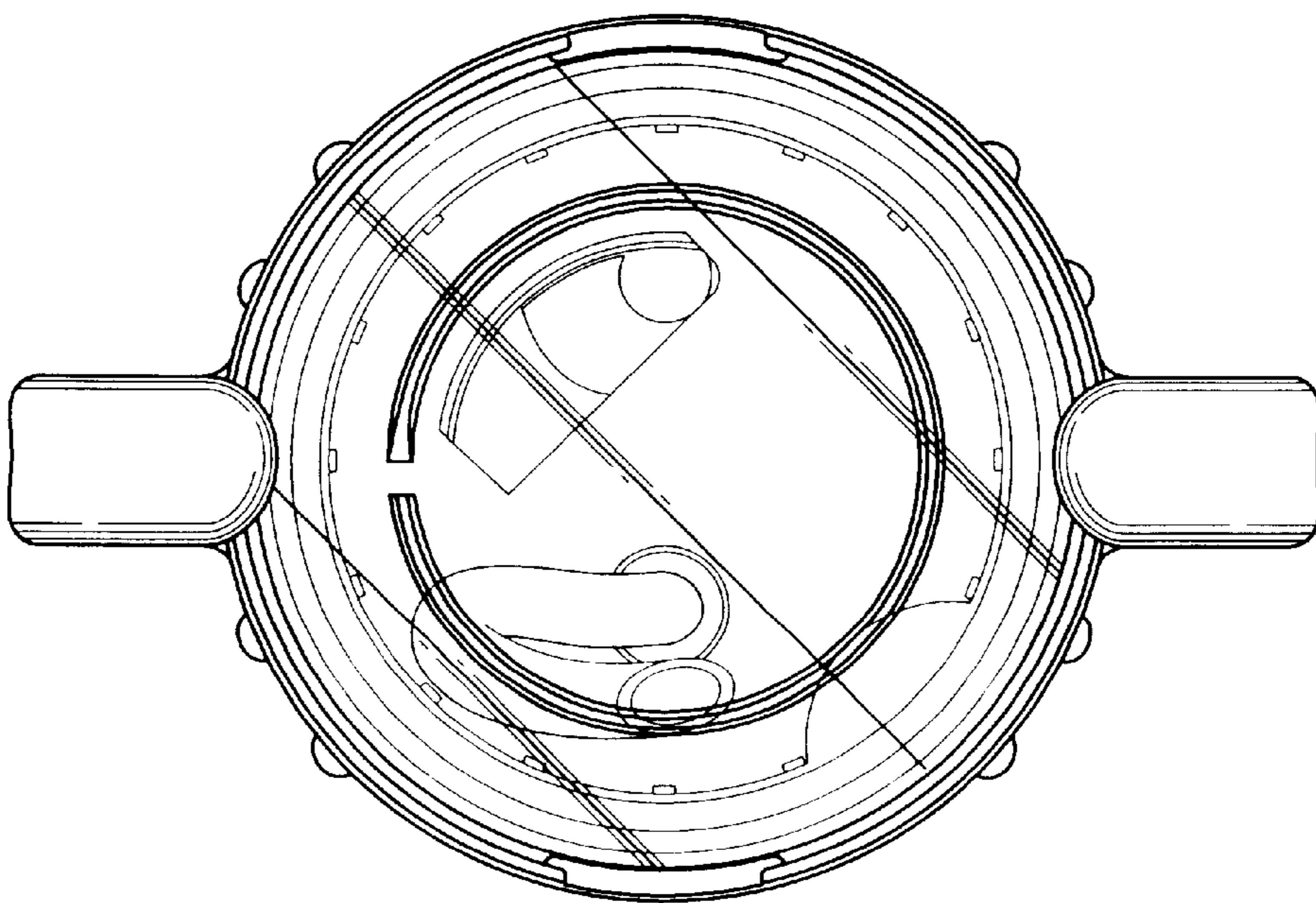


FIG. 8

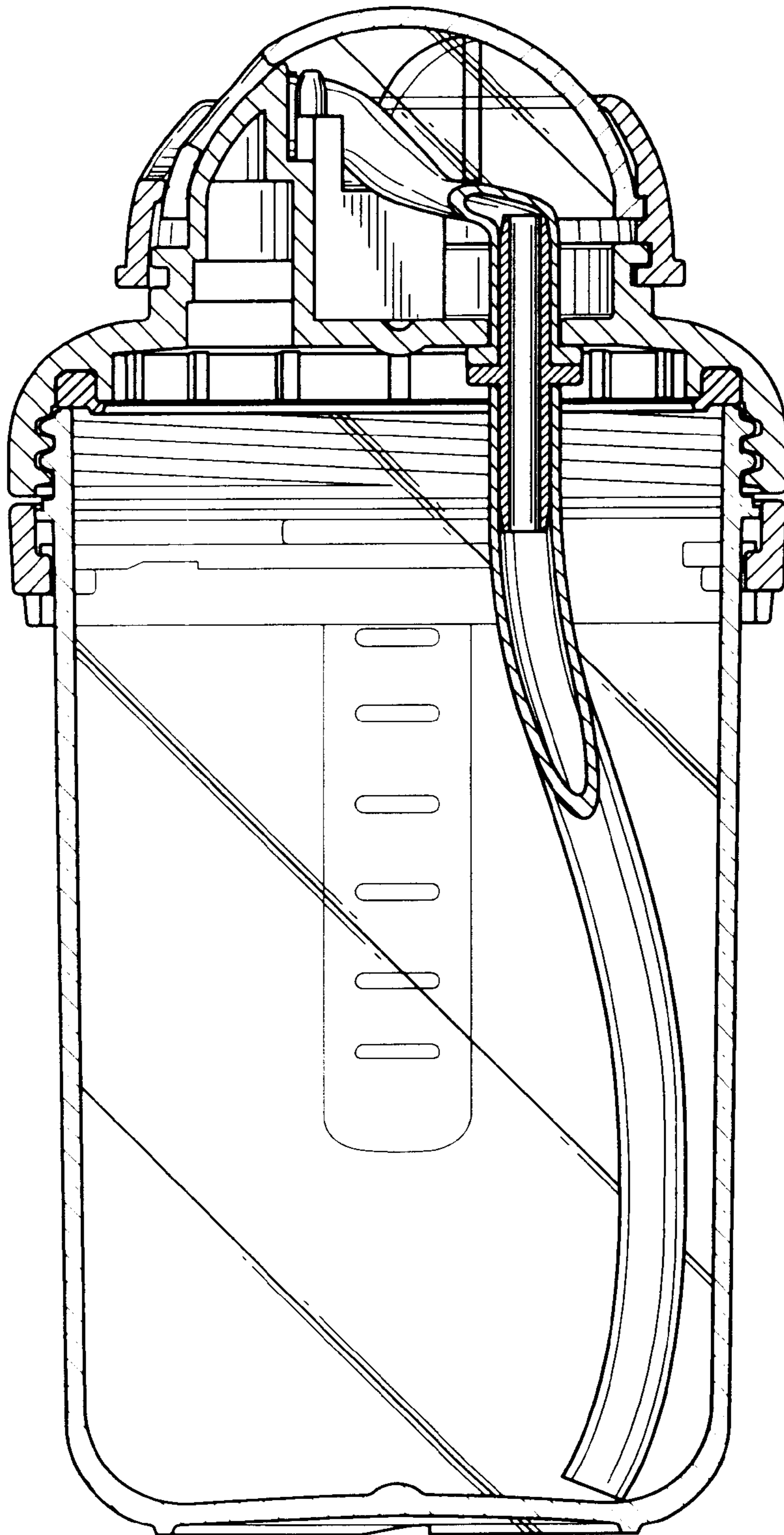


FIG. 9

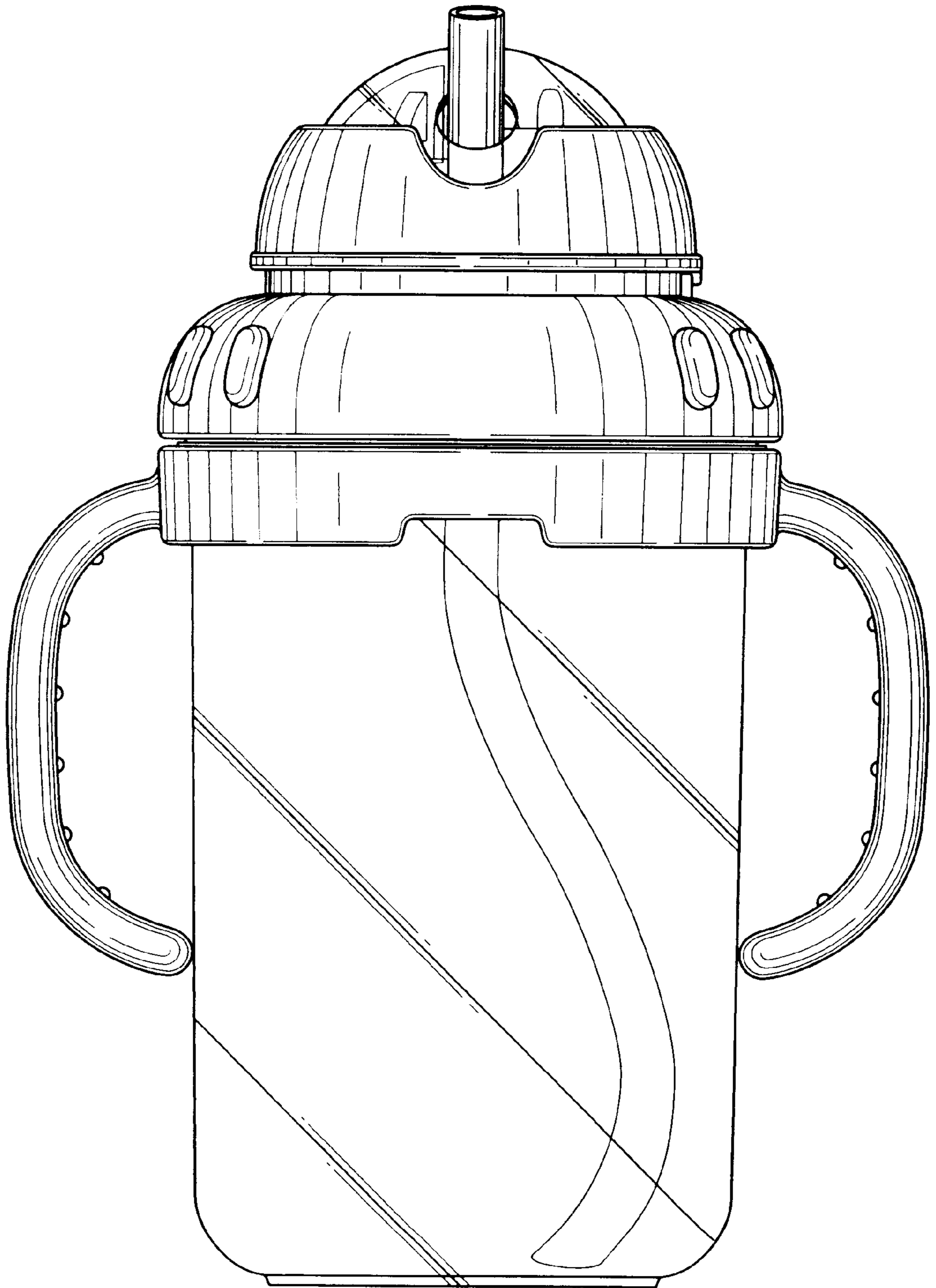


FIG. 10

