



US00D442431S

(12) **United States Design Patent**
Hoff et al.

(10) **Patent No.: US D442,431 S**

(45) **Date of Patent: ** May 22, 2001**

- (54) **COOKING UTENSIL**
- (75) Inventors: **Susan K. Hoff**, Belmont; **Jill L. Gantos**, Grand Rapids; **Charles S. Mack**, Dowling, all of MI (US)
- (73) Assignee: **Amway Corporation**, Ada, MI (US)
- (**) Term: **14 Years**
- (21) Appl. No.: **29/111,301**
- (22) Filed: **Sep. 23, 1999**

4,626,352	12/1986	Massey et al. .
4,646,628	3/1987	Lederman .
4,688,549	8/1987	Blankemeyer et al. .
4,714,012	12/1987	Hernandez .
4,784,112	11/1988	Hayashi .
5,092,229	3/1992	Chen .
6,055,901 *	5/2000	Gantos et al. 99/412

FOREIGN PATENT DOCUMENTS

677746 3/1930 (FR) .

OTHER PUBLICATIONS

Market Place (Kitchen Basics): Photos 1-A, 1-B, Date Unknown.
 Williams Sonoma (Multi Pot): Photos 2-A, 2-B, Date Unknown.
 Calphalon (Pots & Pans): Photos 3-A, 3-B, Date Unknown.
 Cuisinart Everyday (9 Quart Stock Pot with Cover); Photos 4-A, 4-B, Date Unknown.
 Cuisinart Everyday (Pasta Inset): Photos 5-A, 5-B, 5-C, Date Unknown.
 Calphalon (8 Qt. Sauce Pot with Pasta Inset & Cover): Photos 6-A, 6-B, Date Unknown.

* cited by examiner

Primary Examiner—Caron D. Veynar
 (74) *Attorney, Agent, or Firm*—Warner Norcross & Judd LLP

Related U.S. Application Data

- (63) Continuation-in-part of application No. 09/156,018, filed on Sep. 17, 1998, now Pat. No. 6,055,901.
- (51) **LOC (7) Cl.** **07-02**
- (52) **U.S. Cl.** **D7/409**
- (58) **Field of Search** D7/323, 354-361, D7/409; 99/339, 340, 403-418, 449, 450; 126/369, 373, 376, 377; 220/573.1, 573.4, 912

References Cited

U.S. PATENT DOCUMENTS

100,863	3/1870	Corbett .
254,355 *	2/1882	McCord 99/403
261,142	7/1882	Dorsch et al. .
D. 296,287 *	6/1988	Mueller D7/356 X
D. 382,440 *	8/1997	Fonville D7/360
419,497	1/1890	Caradine .
472,002	3/1892	Westcott .
523,643	7/1894	Pack .
769,496	9/1904	Seipelt .
875,972	1/1908	Wessel .
1,276,749	8/1918	George .
1,488,150	3/1924	Garibaldi et al. .
1,715,721	6/1929	Simon .
2,097,478	11/1937	Struble .
2,188,563	1/1940	Anzalone .
4,198,561	4/1980	Fujioka .
4,462,308	7/1984	Wang .
4,574,776	3/1986	Hidle .

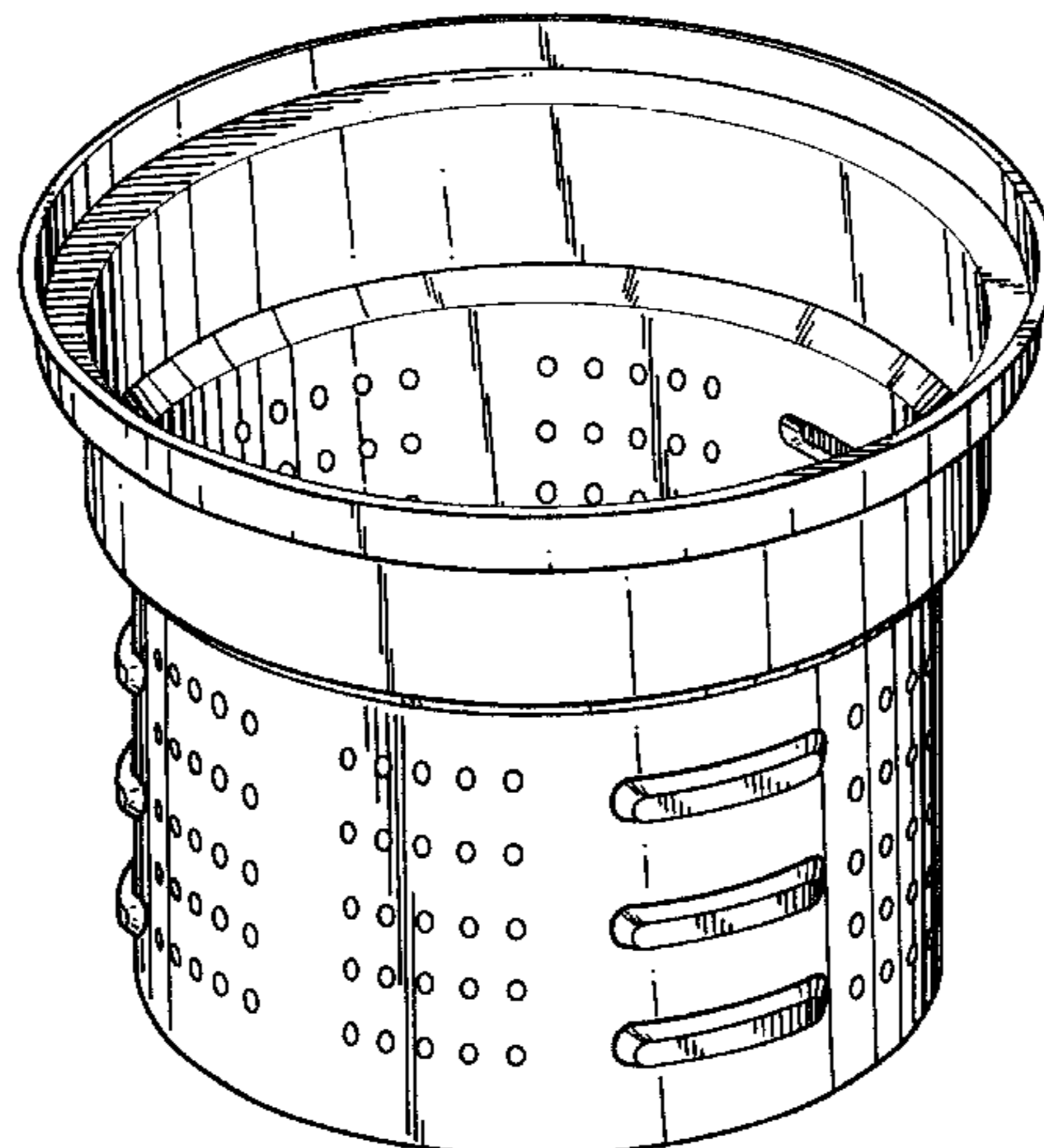
(57) **CLAIM**

The ornamental design for cooking utensil, as shown and described.

DESCRIPTION

FIG. 1 is a perspective view of the cooking utensil embodying the present invention;
 FIG. 2 is a front elevational view thereof;
 FIG. 3 is a left side elevational view thereof, the right side elevational view being the mirror image thereof;
 FIG. 4 is a top plan view thereof; and,
 FIG. 5 is a bottom plan view thereof.

1 Claim, 4 Drawing Sheets



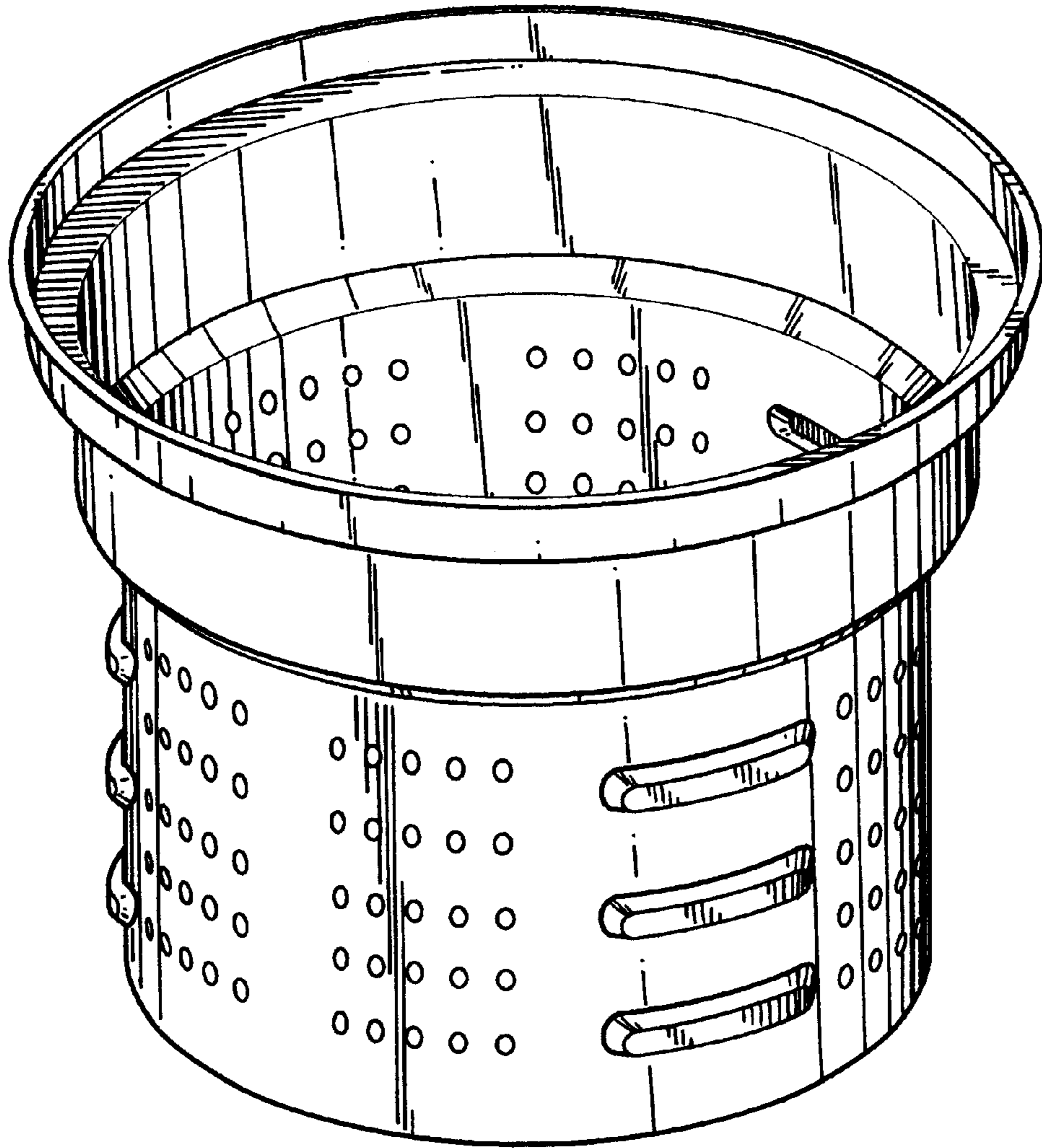


Fig. 1

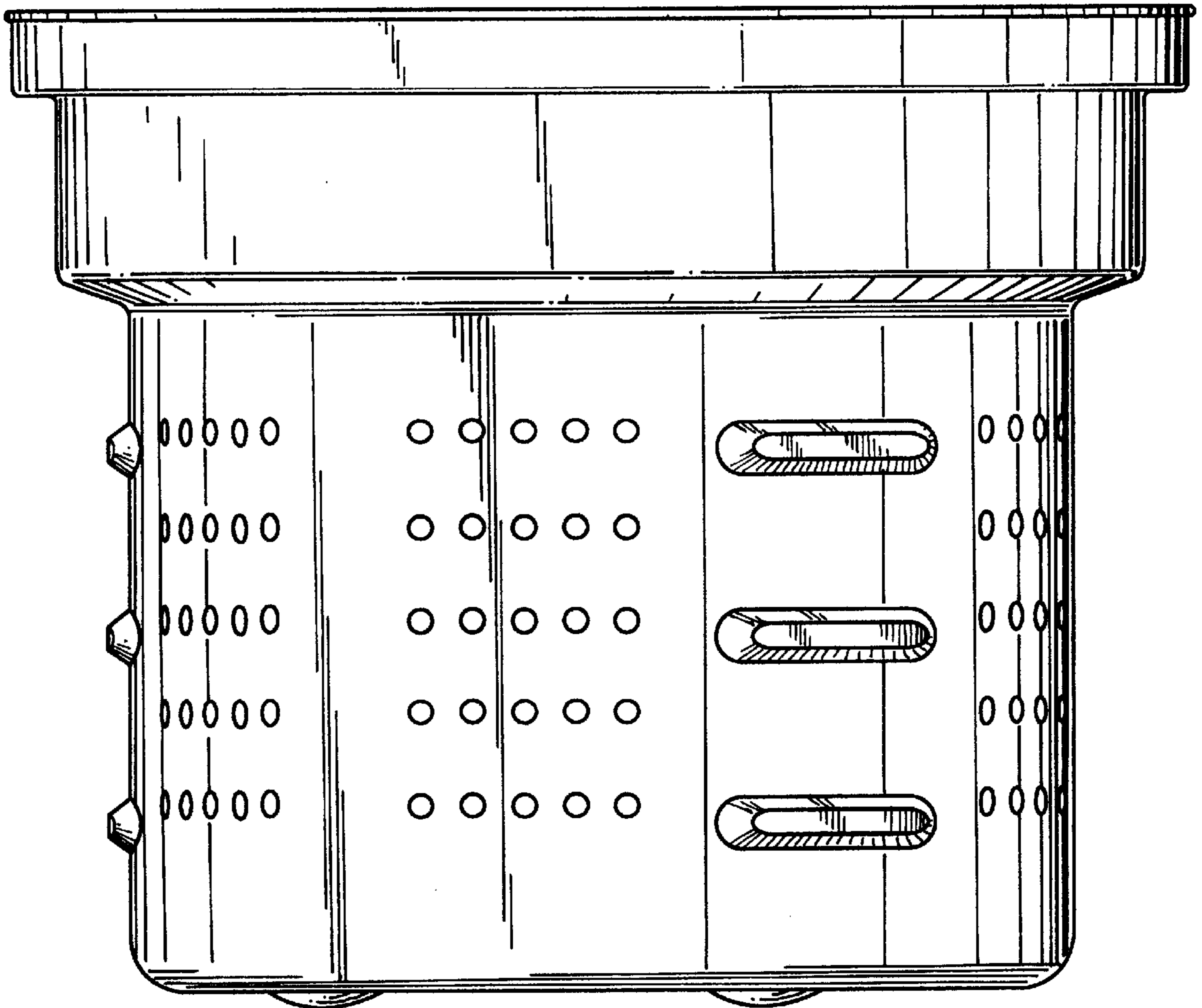


FIG. 2

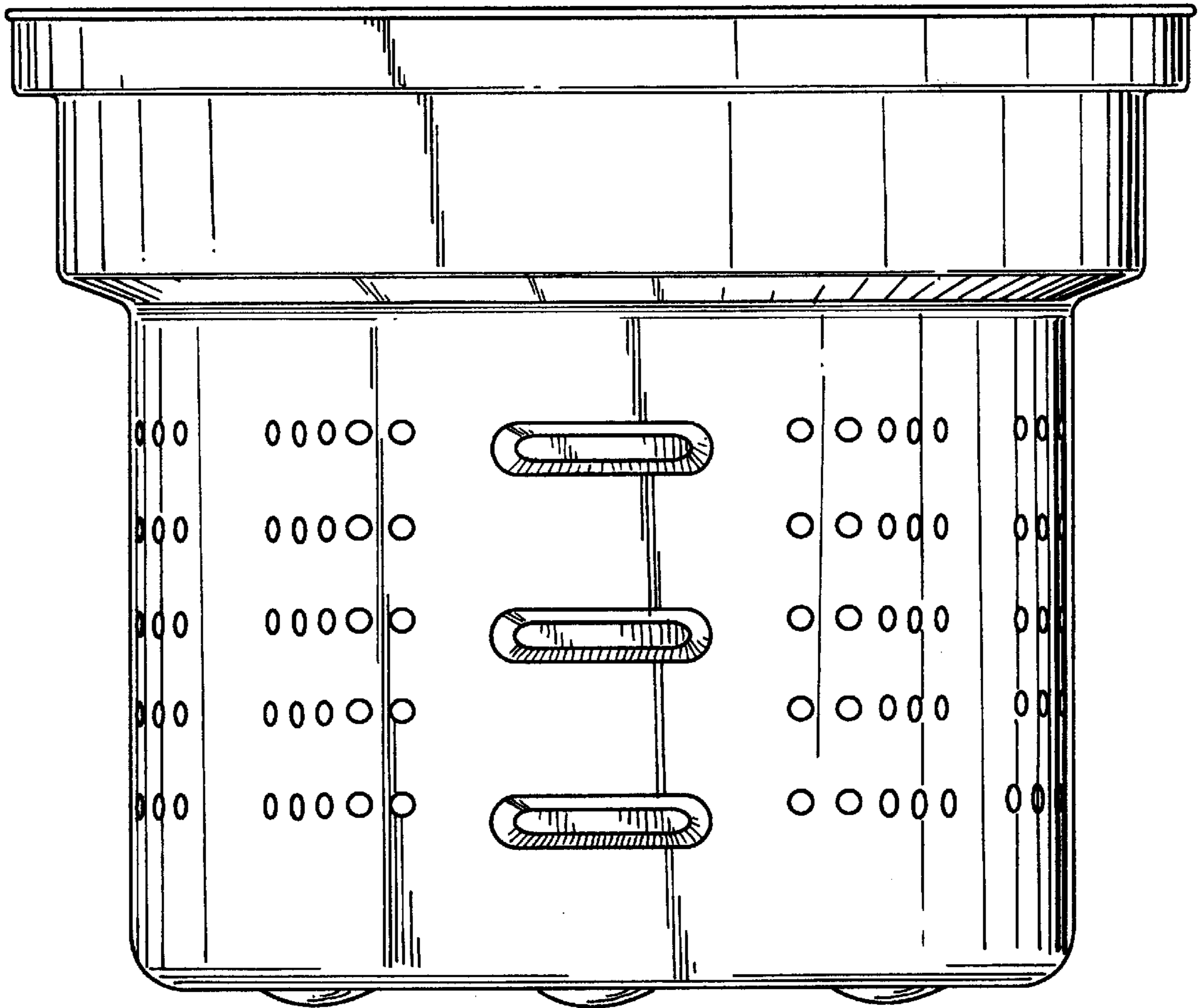


FIG. 3

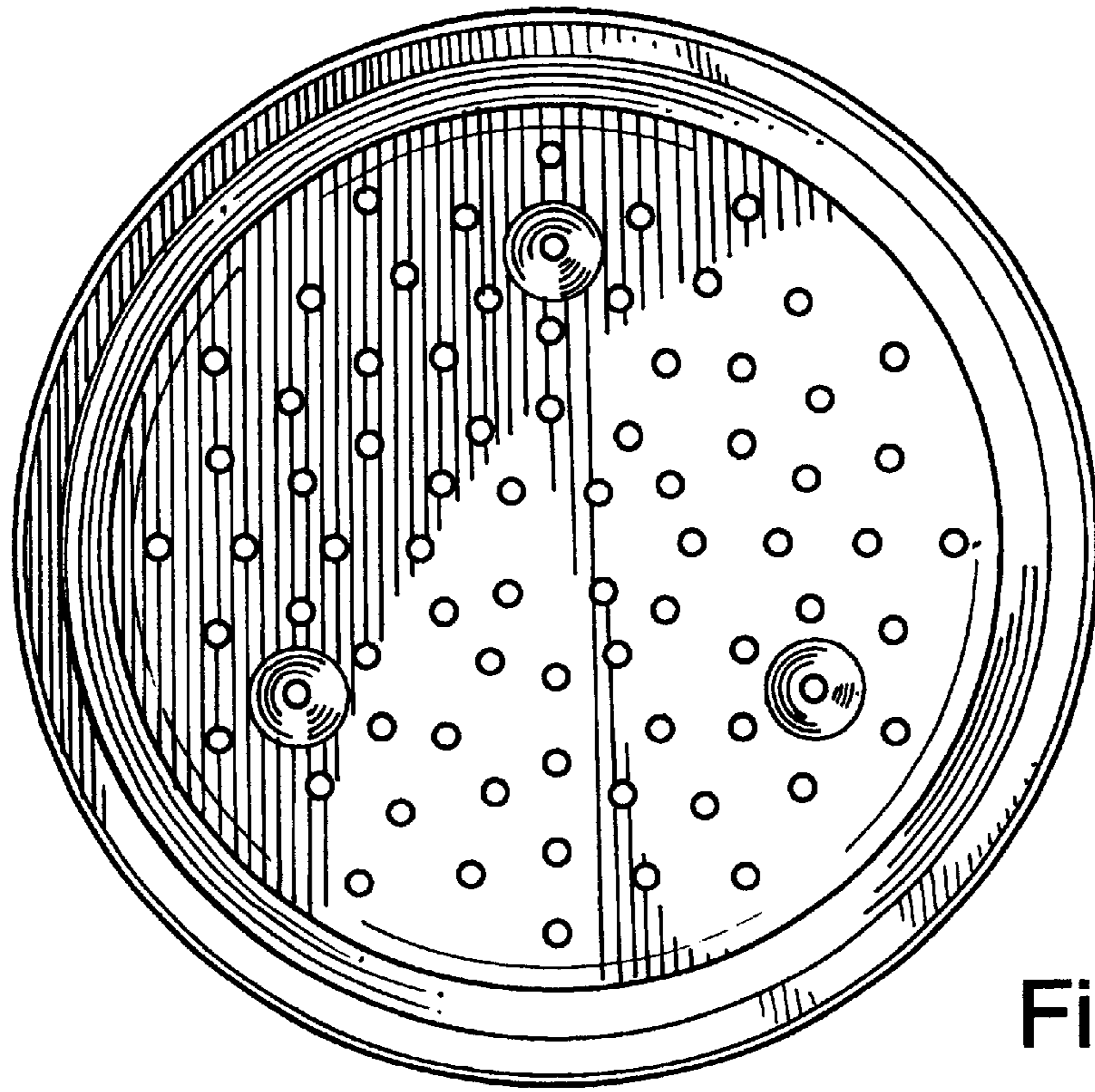


Fig. 4

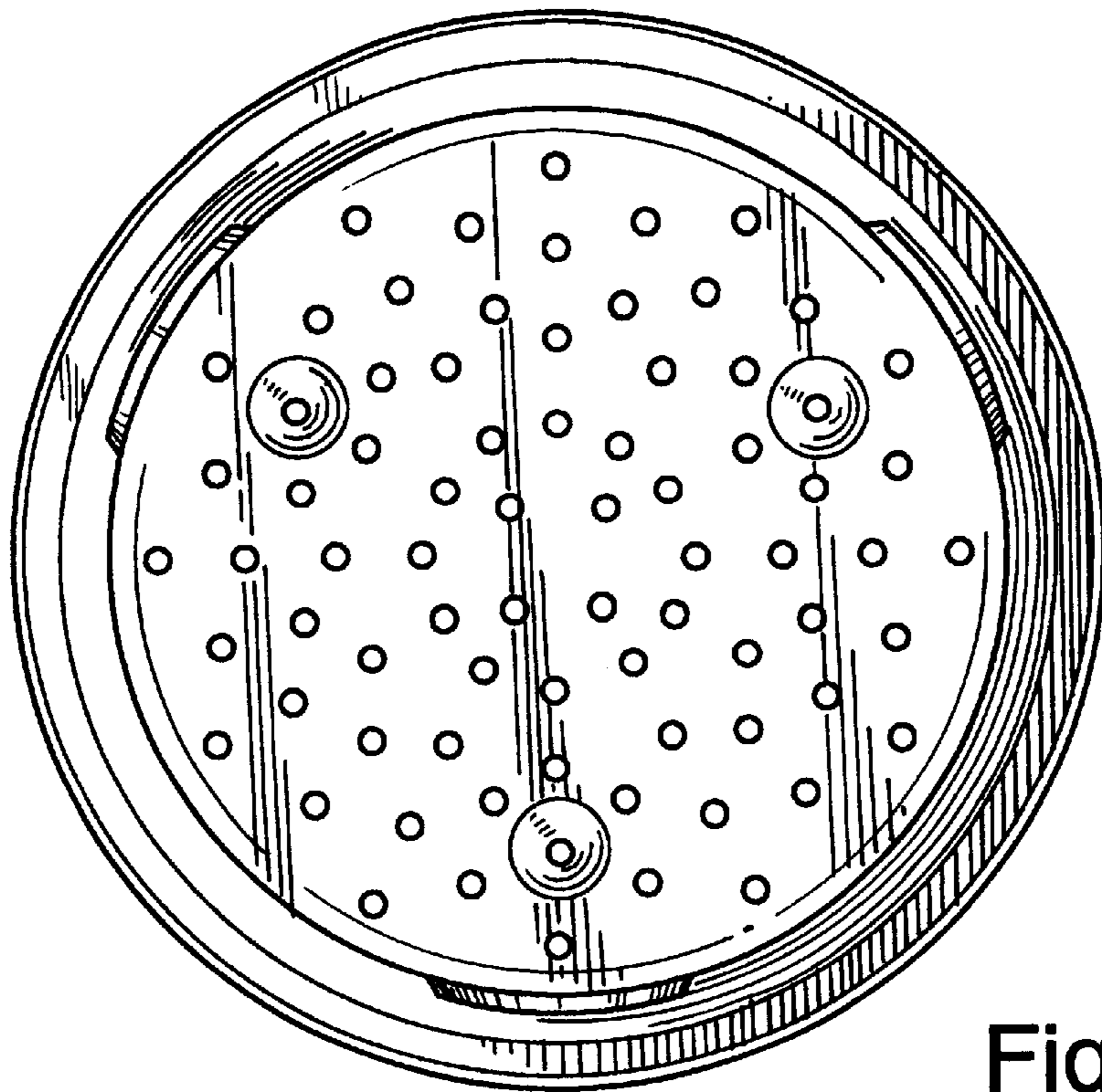


Fig. 5