



US00D442430S

(12) **United States Design Patent**  
**Pope**

(10) **Patent No.:** **US D442,430 S**

(45) **Date of Patent:** **\*\* May 22, 2001**

(54) **BEVERAGE BREWING SUBSTANCE  
HOLDER**

4,149,454 4/1979 Kemp .  
4,280,401 7/1981 Cleland .  
4,303,525 12/1981 Stover .  
4,642,190 2/1987 Zimmerman .

(75) Inventor: **Randy D. Pope**, Edinburg, IL (US)

(List continued on next page.)

(73) Assignee: **Bunn-O-Matic Corporation**,  
Springfield, IL (US)

*Primary Examiner*—M. N. Pandozzi

(74) *Attorney, Agent, or Firm*—Barnes & Thornburg

(\*\*) Term: **14 Years**

(57) **CLAIM**

(21) Appl. No.: **29/129,310**

The ornamental design for a beverage brewing substance holder, as shown and described.

(22) Filed: **Sep. 12, 2000**

**DESCRIPTION**

**Related U.S. Application Data**

(63) Continuation of application No. 09/369,542, filed on Aug. 6, 1999.

FIG. 1 is a top plan view of a first embodiment of a beverage brewing substance holder showing my new design; FIG. 2 is a right side elevational view of the first embodiment of my beverage brewing substance holder; FIG. 3 is a rear side elevational view of the first embodiment of my beverage brewing substance holder; FIG. 4 is a left side elevational view of the first embodiment of my beverage brewing substance holder; FIG. 5 is a front side elevational view of the first embodiment of my beverage brewing substance holder; FIG. 6 is a bottom plan view of the first embodiment of my beverage brewing substance holder; FIG. 7 is a top plan view of a second embodiment of a beverage brewing substance holder showing my new design; FIG. 8 is a right side elevational view of the second embodiment of my beverage brewing substance holder; FIG. 9 is a rear side elevational view of the second embodiment of my beverage brewing substance holder; FIG. 10 is a left side elevational view of the second embodiment of my beverage brewing substance holder; FIG. 11 is a front side elevational view of the second embodiment of my beverage brewing substance holder; FIG. 12 is a bottom plan view of the second embodiment of my beverage brewing substance holder; and, FIG. 13 is a cross-sectional plan view of the second embodiment of my beverage brewing substance holder along line 13—13 of FIG. 7.

(51) **LOC (7) Cl.** ..... **07-99**

(52) **U.S. Cl.** ..... **D7/400**

(58) **Field of Search** ..... D7/400; 99/295,  
99/323, 322, 304, 307, 306; 210/479, 477

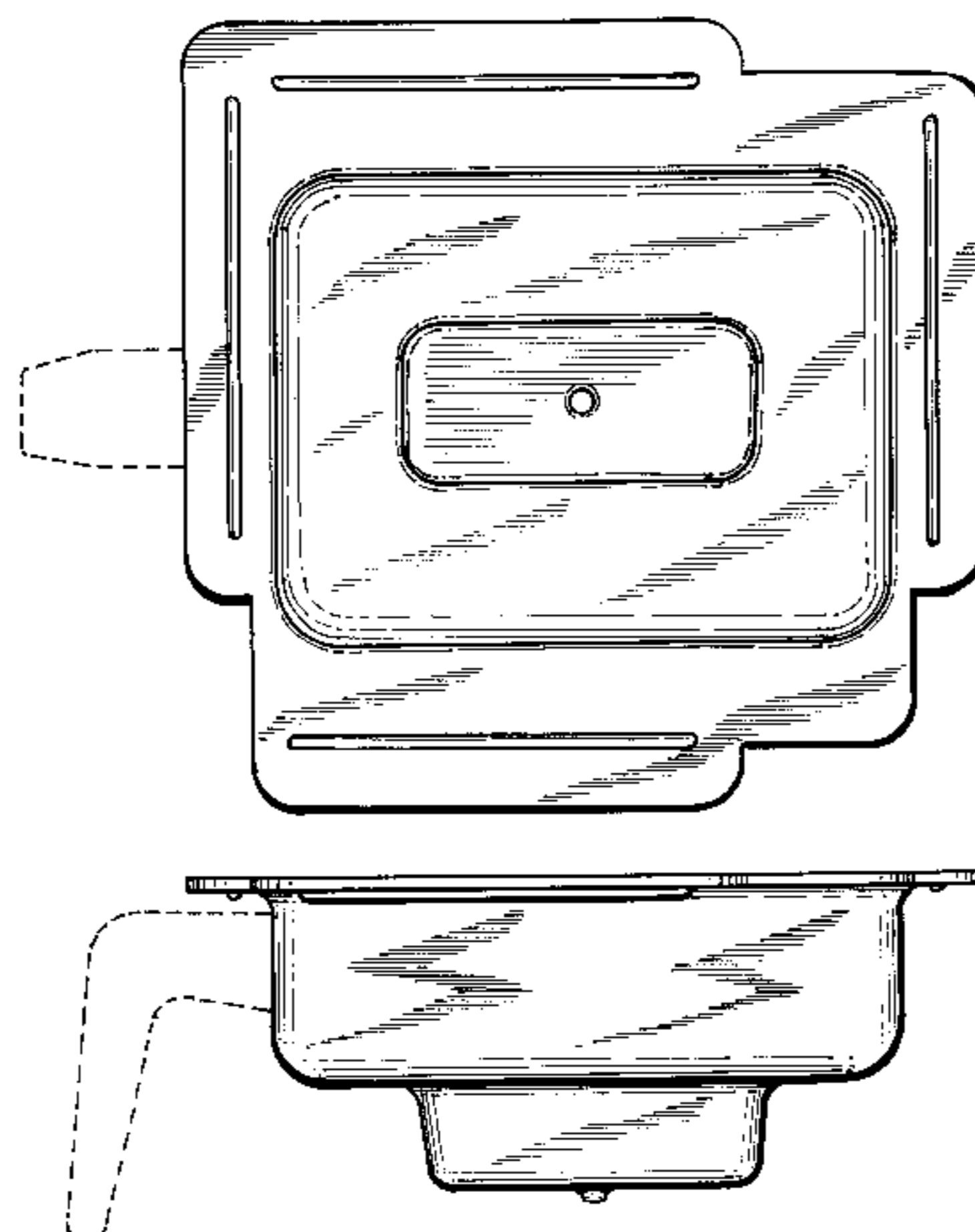
(56) **References Cited**

**U.S. PATENT DOCUMENTS**

Re. 34,473	12/1993	Ryan et al. .	
D. 225,077	11/1972	Martin et al. .	
D. 225,078	* 11/1972	Martin et al. ....	D7/400
D. 288,057	2/1987	Webster .	
D. 322,735	12/1991	Morton .	
D. 341,286	11/1993	Grykiewicz et al. .	
D. 341,992	12/1993	Gasser .	
D. 389,697	1/1998	Smit .	
D. 423,284	* 4/2000	Fischer .....	D7/400
3,034,418	5/1962	Bunn .	
3,371,593	3/1968	Price .	
3,374,897	3/1968	Martin .	
3,450,024	6/1969	Martin .	
3,593,650	7/1971	Martin et al. .	
3,610,132	10/1971	Martin et al. .	
3,719,282	3/1973	Schwartz .	
3,793,935	2/1974	Martin .	
3,795,182	3/1974	Van Damme .	
3,861,285	1/1975	Martin .	
3,935,112	1/1976	Greutert .	

The handle shown in broken line in FIGS. 1, 2, 4-8 and 10-13 is for illustrative purposes only and forms no part of the claimed design.

**1 Claim, 5 Drawing Sheets**



# US D442,430 S

Page 2

---

U.S. PATENT DOCUMENTS				
		5,290,444	3/1994	Campbell .
		5,309,820	5/1994	Baxter et al. .
4,656,932	* 4/1987	5,347,916	9/1994	Fond et al. .
4,697,503	* 10/1987	5,515,771	5/1996	Smit .
4,728,425	* 3/1988	5,555,791	9/1996	McNeill et al. .
4,739,697	4/1988	5,669,287	9/1997	Jefferson, Jr. et al. .
4,765,896	8/1988	5,687,636	11/1997	Diore et al. .
4,794,853	1/1989	5,725,765	3/1998	Shen .
4,825,757	5/1989	5,736,042	4/1998	Aoki .
4,832,845	5/1989	5,778,764	7/1998	Nielsen .
4,859,348	8/1989	5,813,319	9/1998	Lee .
4,865,737	9/1989	5,826,493	10/1998	Tien Lin .
5,036,755	8/1991	5,870,943	2/1999	Levi et al. .
5,064,533	11/1991			
5,287,797	2/1994			
	Grykiewicz et al. ....			
	99/304 X			
				* cited by examiner

FIG. 1

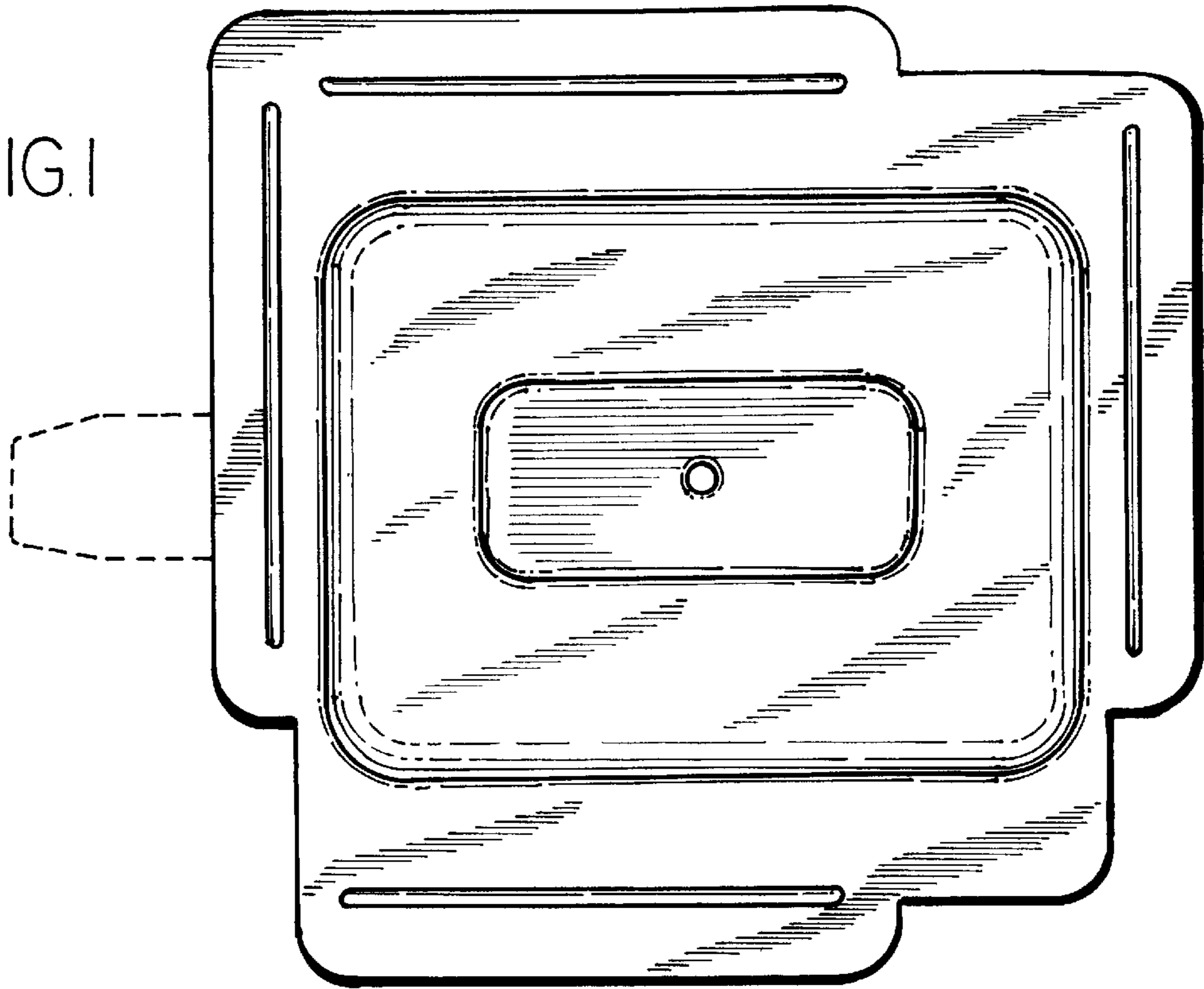


FIG. 2

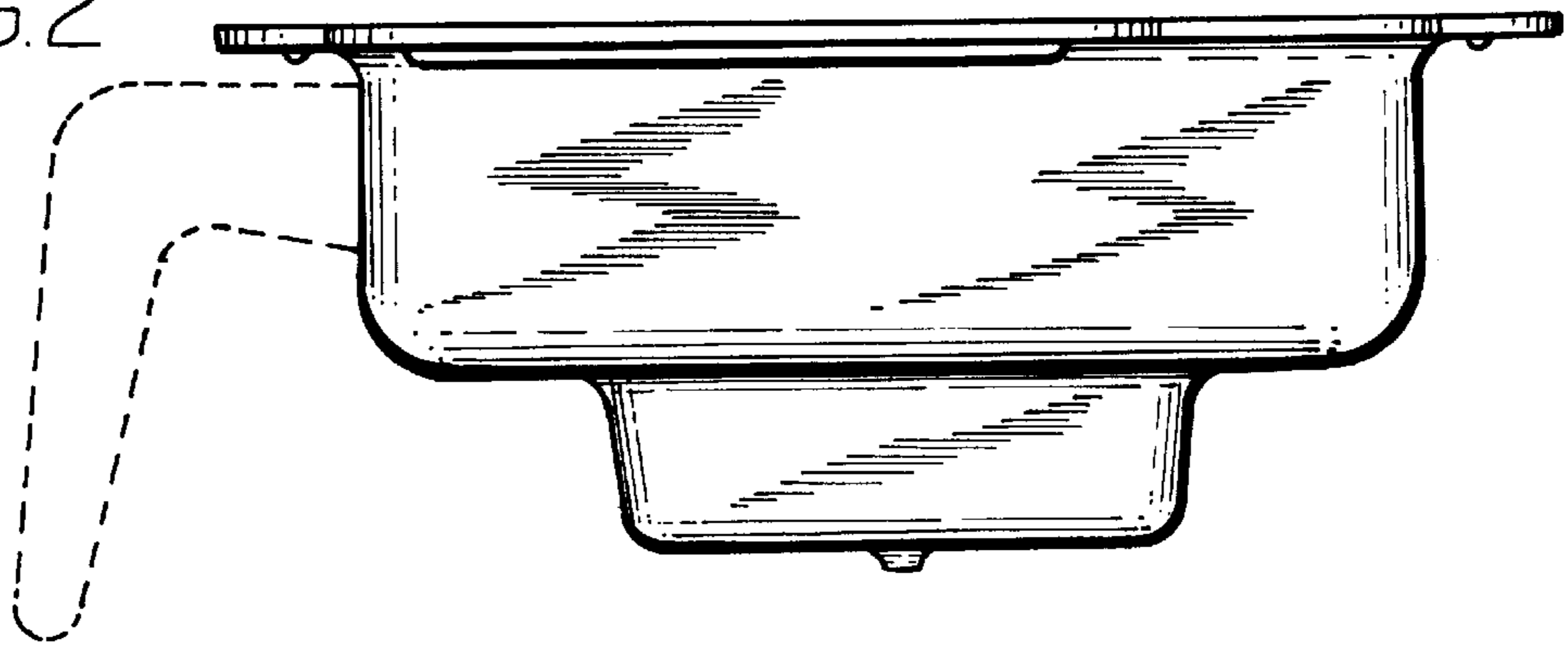


FIG. 3

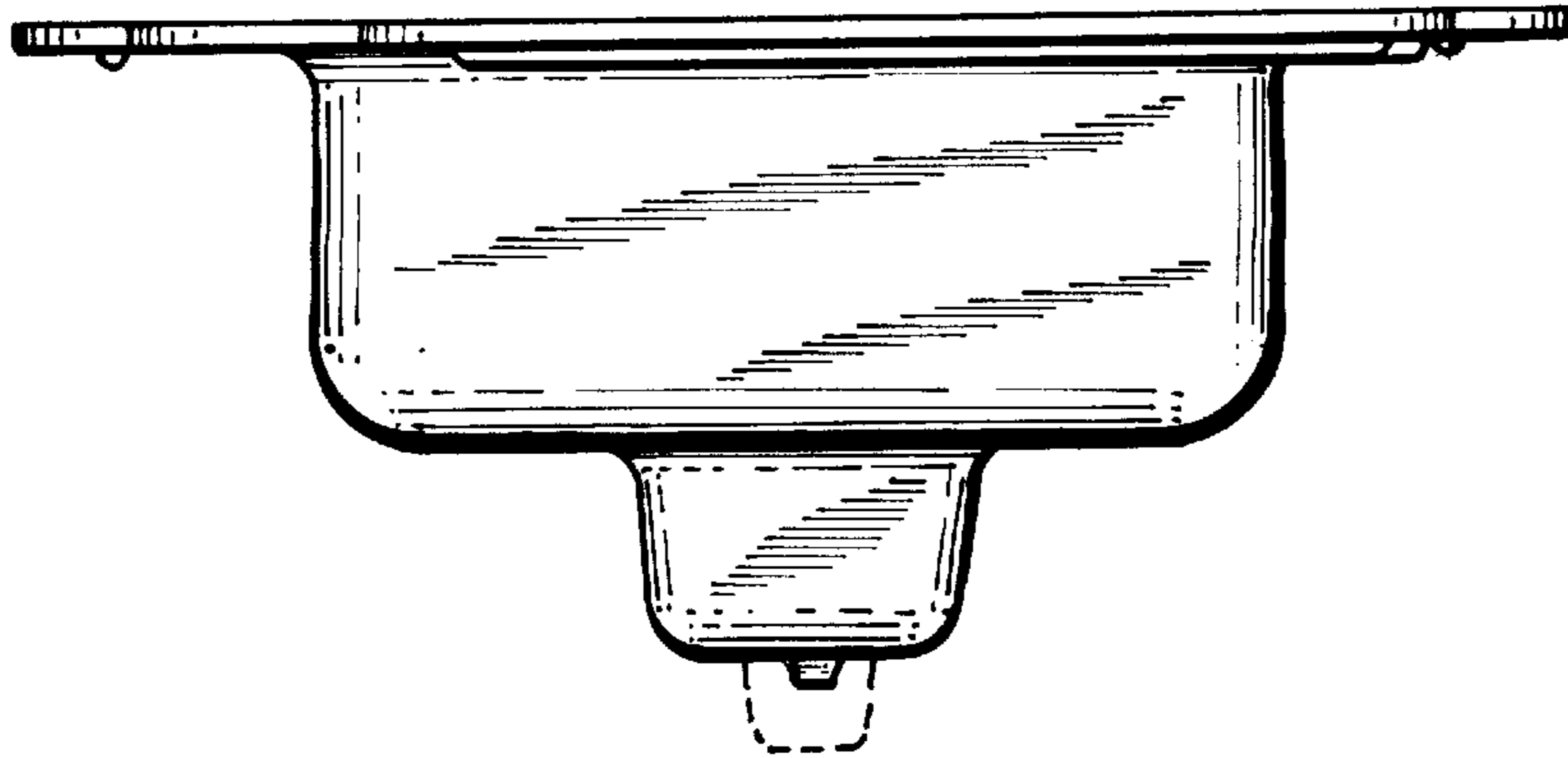


FIG. 4

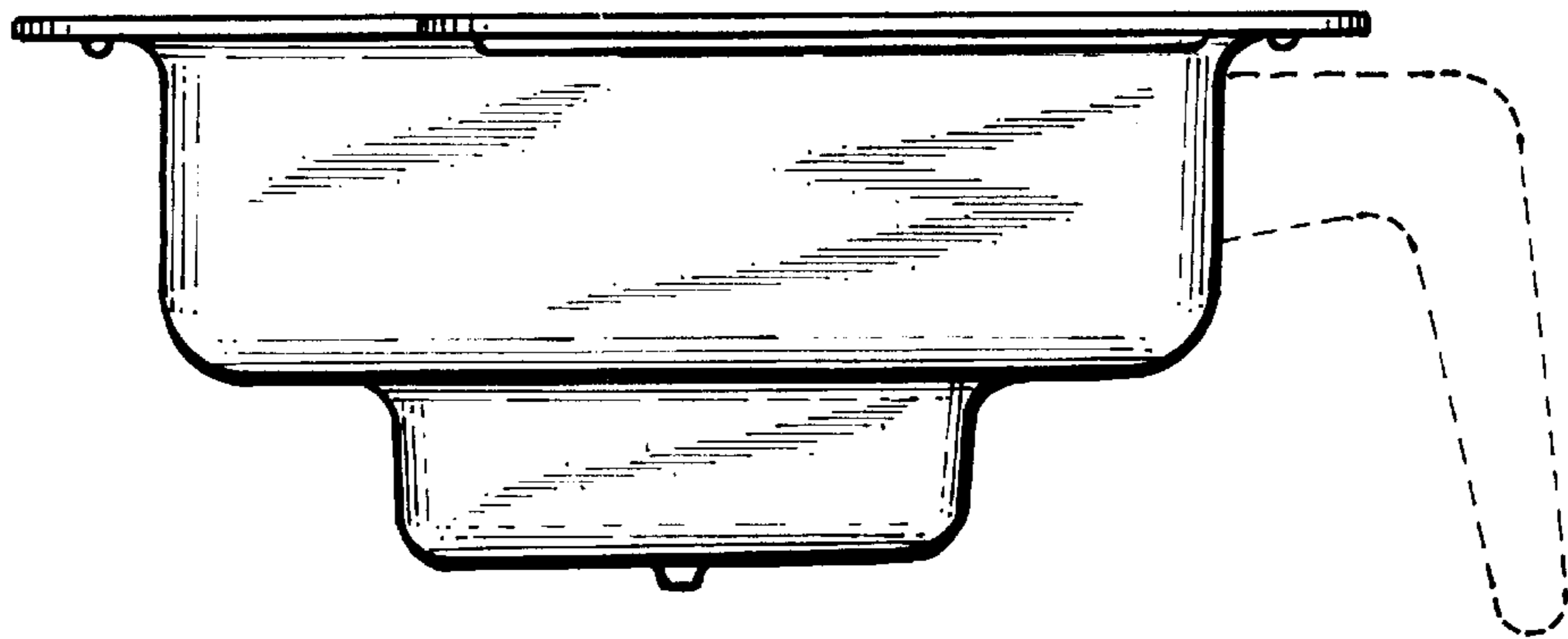


FIG. 5

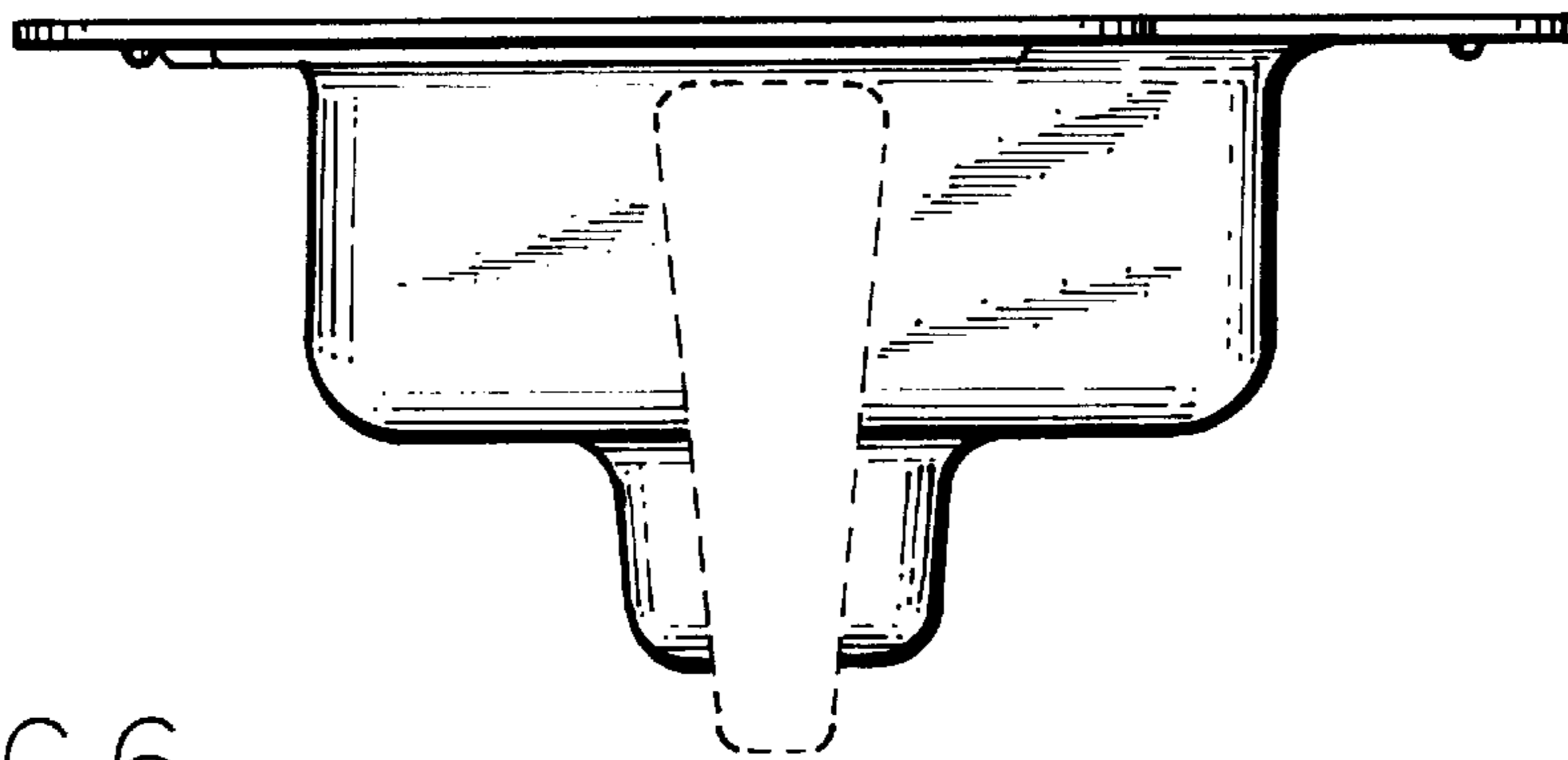


FIG. 6

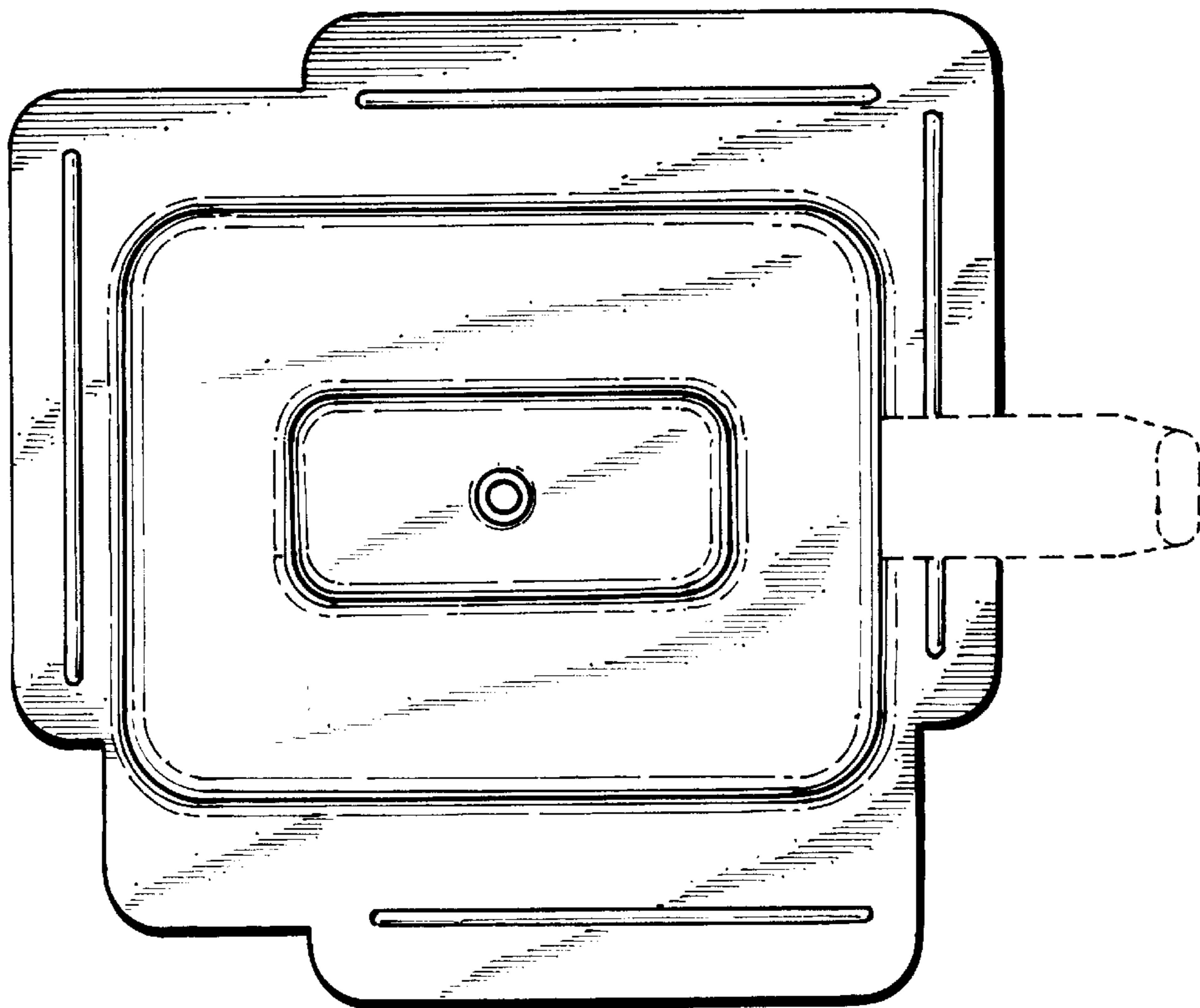




FIG. 7

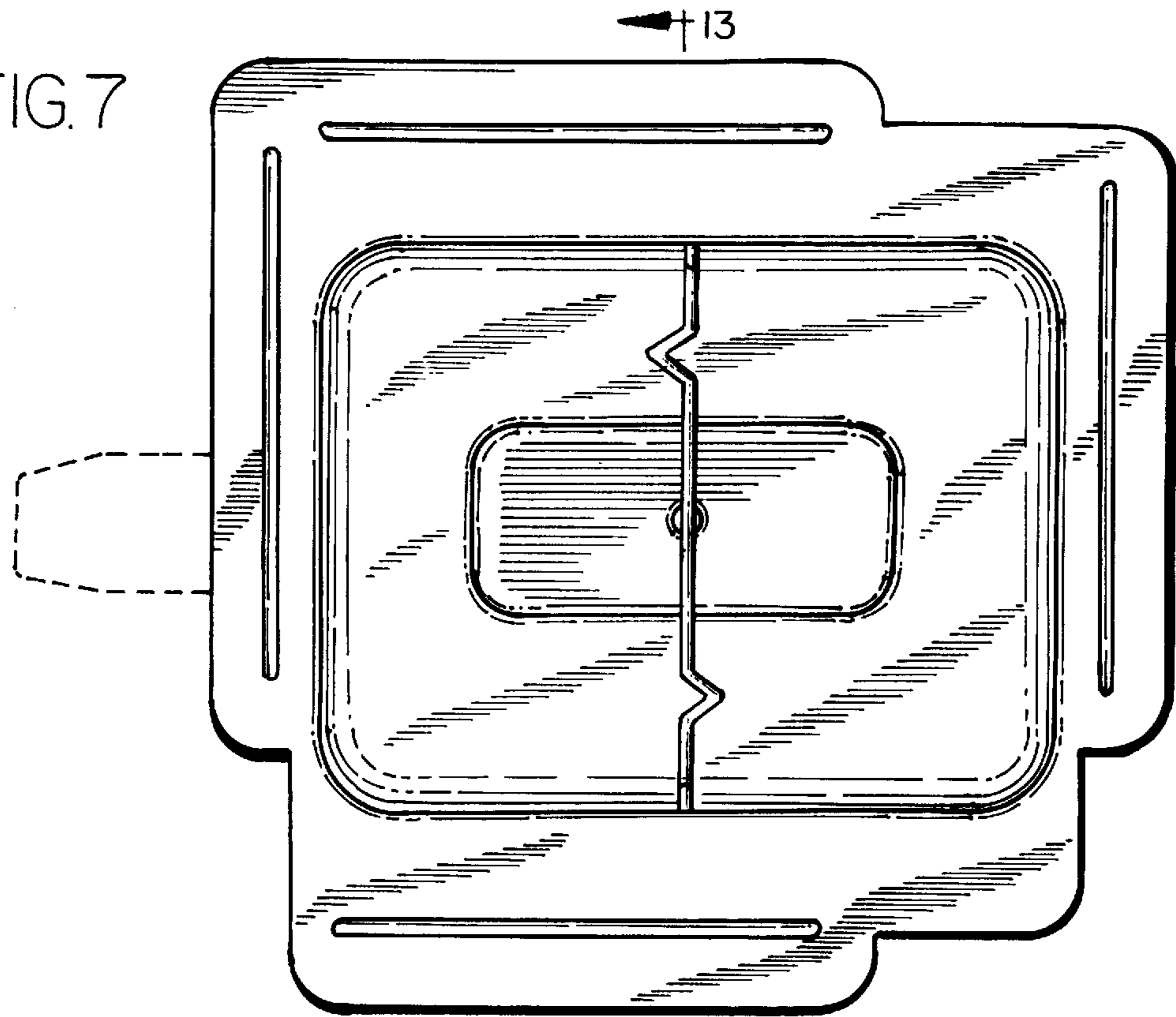


FIG. 8

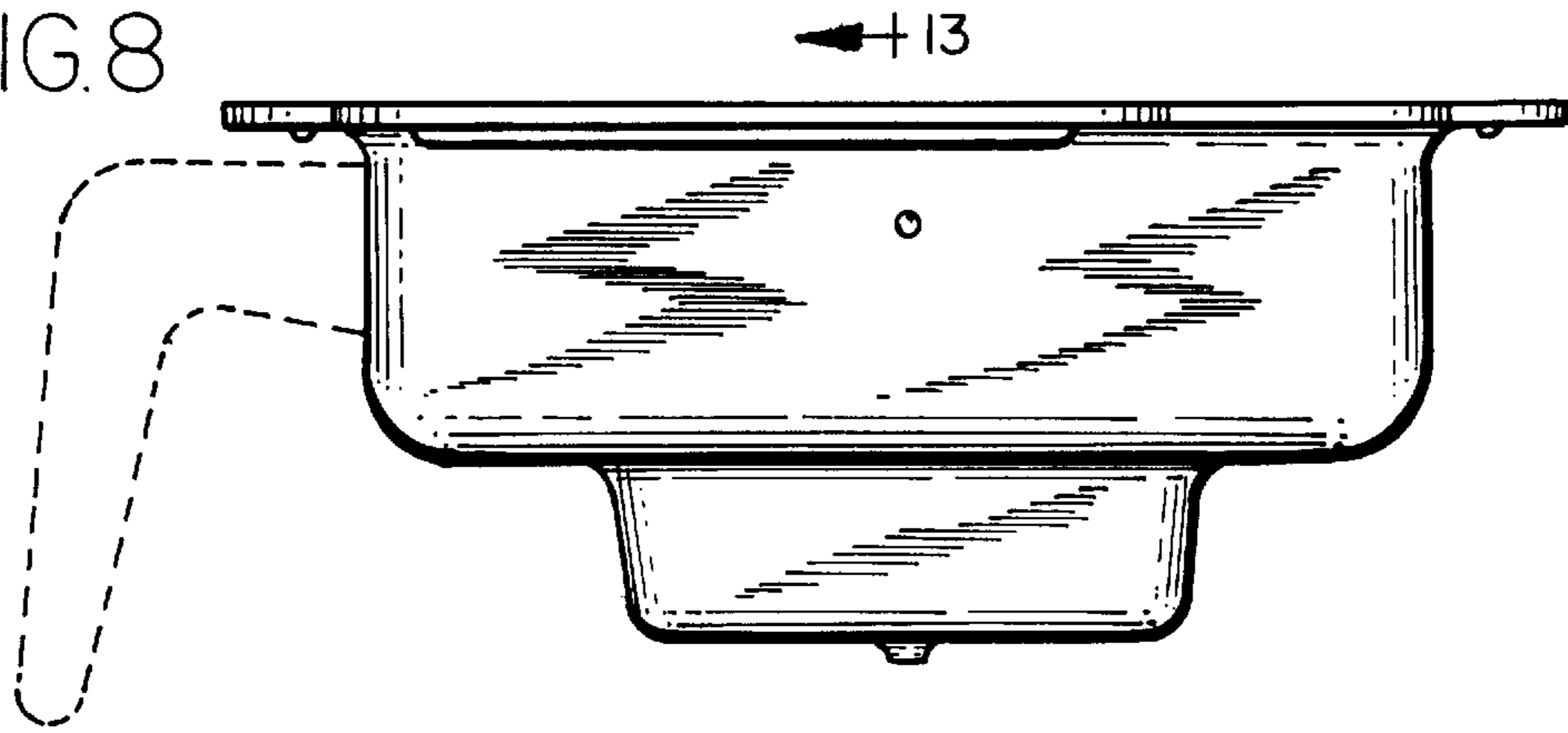


FIG. 9

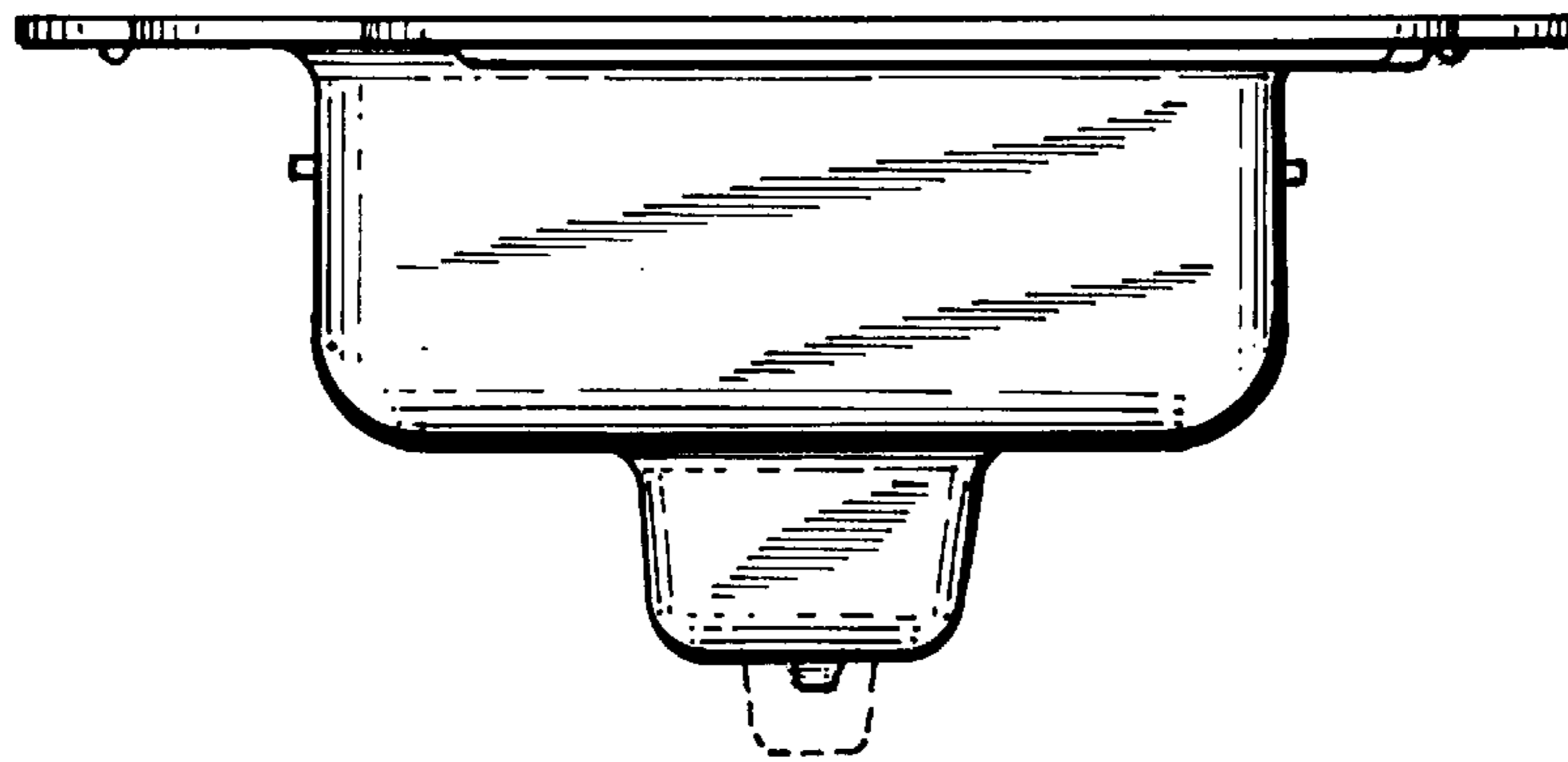


FIG. 10

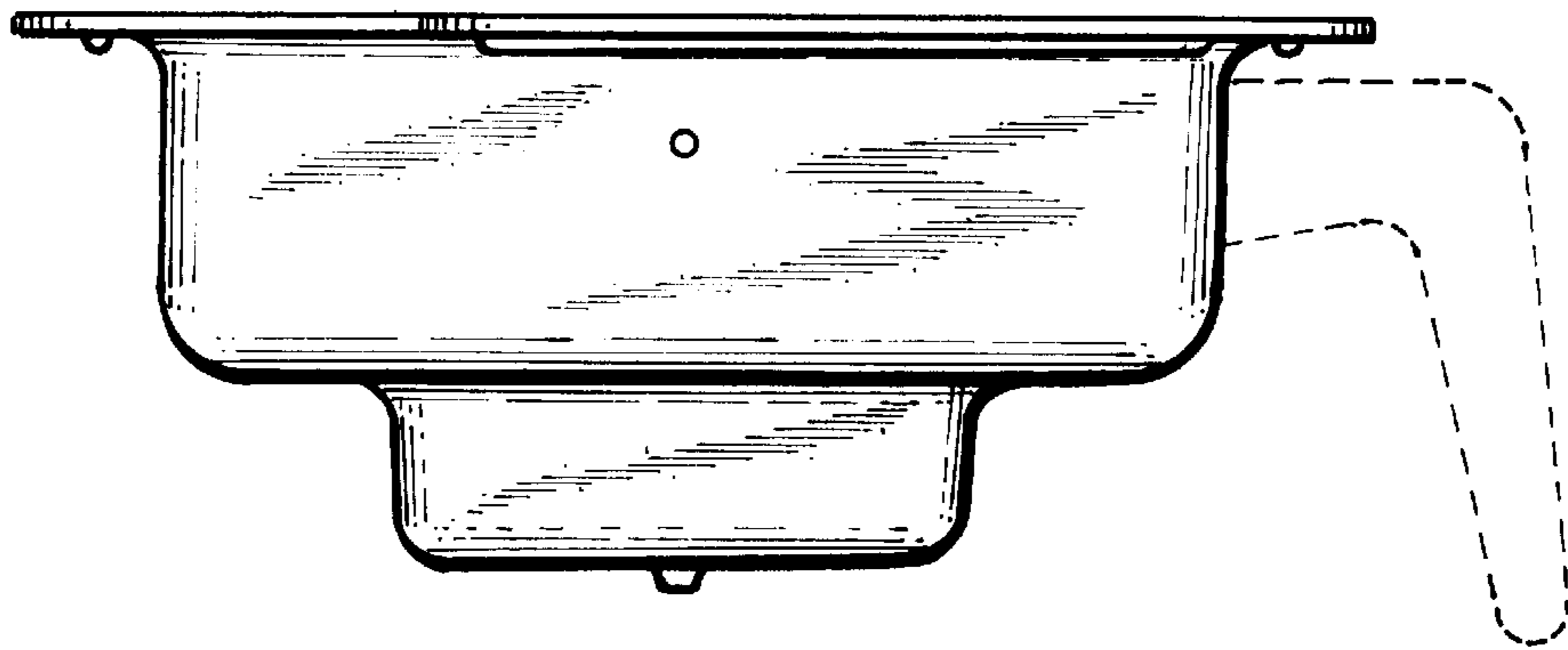


FIG. 11

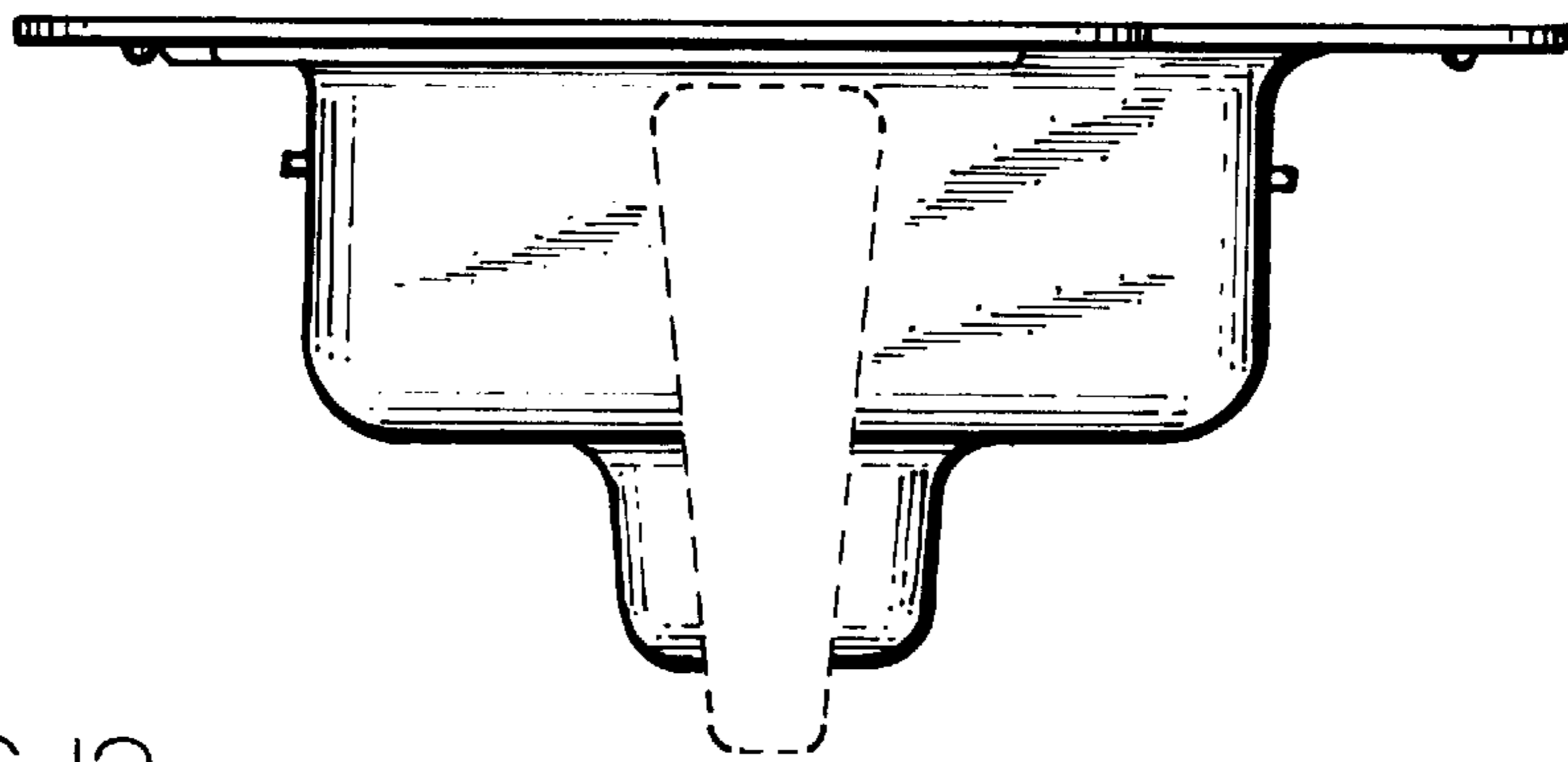


FIG. 12

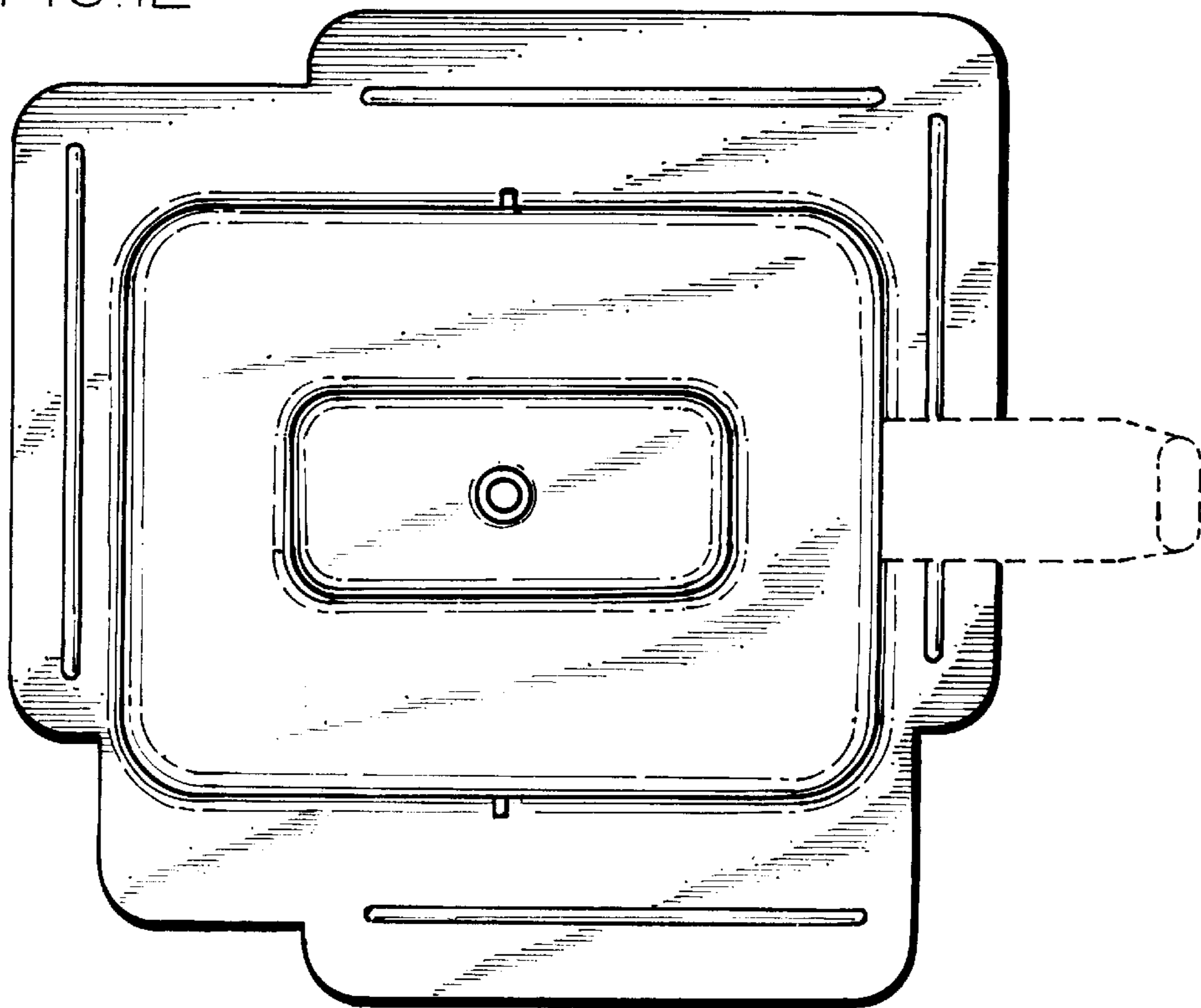


FIG.13

