



US00D442429S

(12) **United States Design Patent**
Liu

(10) **Patent No.:** **US D442,429 S**

(45) **Date of Patent:** **** May 22, 2001**

(54) **SIDE DISH CONTAINER INSERT**

(75) Inventor: **Anita Suk Ping Liu**, Orlando, FL (US)

(73) Assignee: **Dart Industries Inc.**, Orlando, FL (US)

(**) Term: **14 Years**

(21) Appl. No.: **29/107,829**

(22) Filed: **Jul. 14, 1999**

(51) **LOC (7) Cl.** **07-99**

(52) **U.S. Cl.** **D7/396.1; D7/550.1; D7/566**

(58) **Field of Search** **D7/505, 587, 566, D7/586, 601, 602, 396.1, 550.1, 554.4, 409, 558, 354, 538, 629; 220/578, 575, 555; 206/520, 518, 509; 211/131.1**

(56) **References Cited**

U.S. PATENT DOCUMENTS

D. 135,524	*	4/1943	Johnstone	D7/550.1
D. 186,042	*	9/1959	Allison	D7/566
D. 195,525	*	6/1963	Forbes, Jr.	D7/587
D. 209,847		1/1968	Taylor	.	
D. 253,333	*	11/1979	Carr, III et al.	D7/359
D. 281,564	*	12/1985	Pozzi	D7/505
D. 322,914	*	1/1992	Unger	D7/505

D. 365,682	*	1/1996	Calmeise et al.	D3/319
D. 376,734		12/1996	Petrie	D7/629
D. 391,808		3/1998	Voege	D7/629
D. 418,371		1/2000	Whitehead	D7/538
D. 422,840	*	4/2000	Hedlund	D7/505
3,498,471	*	3/1970	Dirkx	211/131.1
3,620,411		11/1971	Rump	.	

* cited by examiner

Primary Examiner—M. N. Pandozzi

(74) *Attorney, Agent, or Firm*—Taylor J. Ross

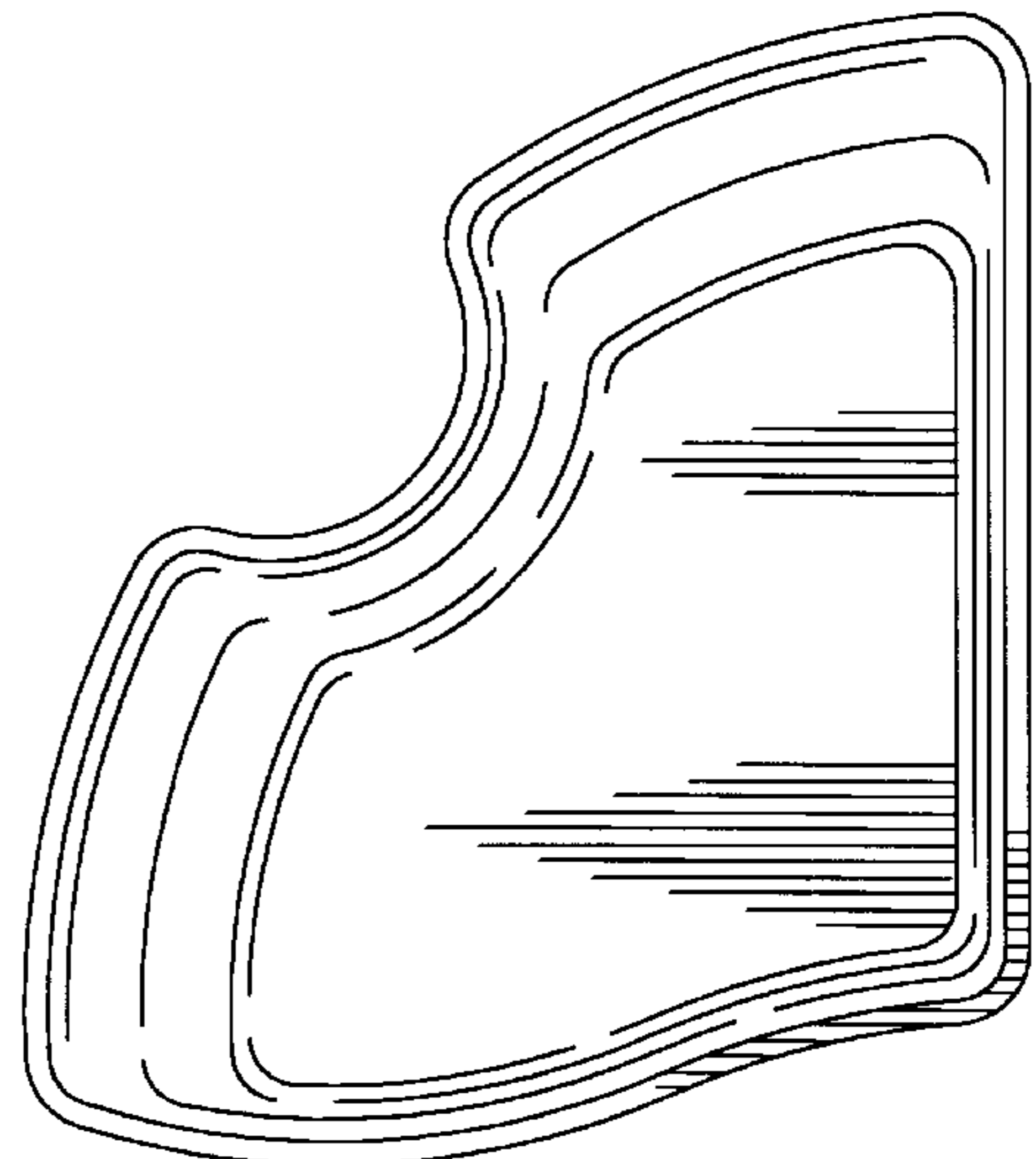
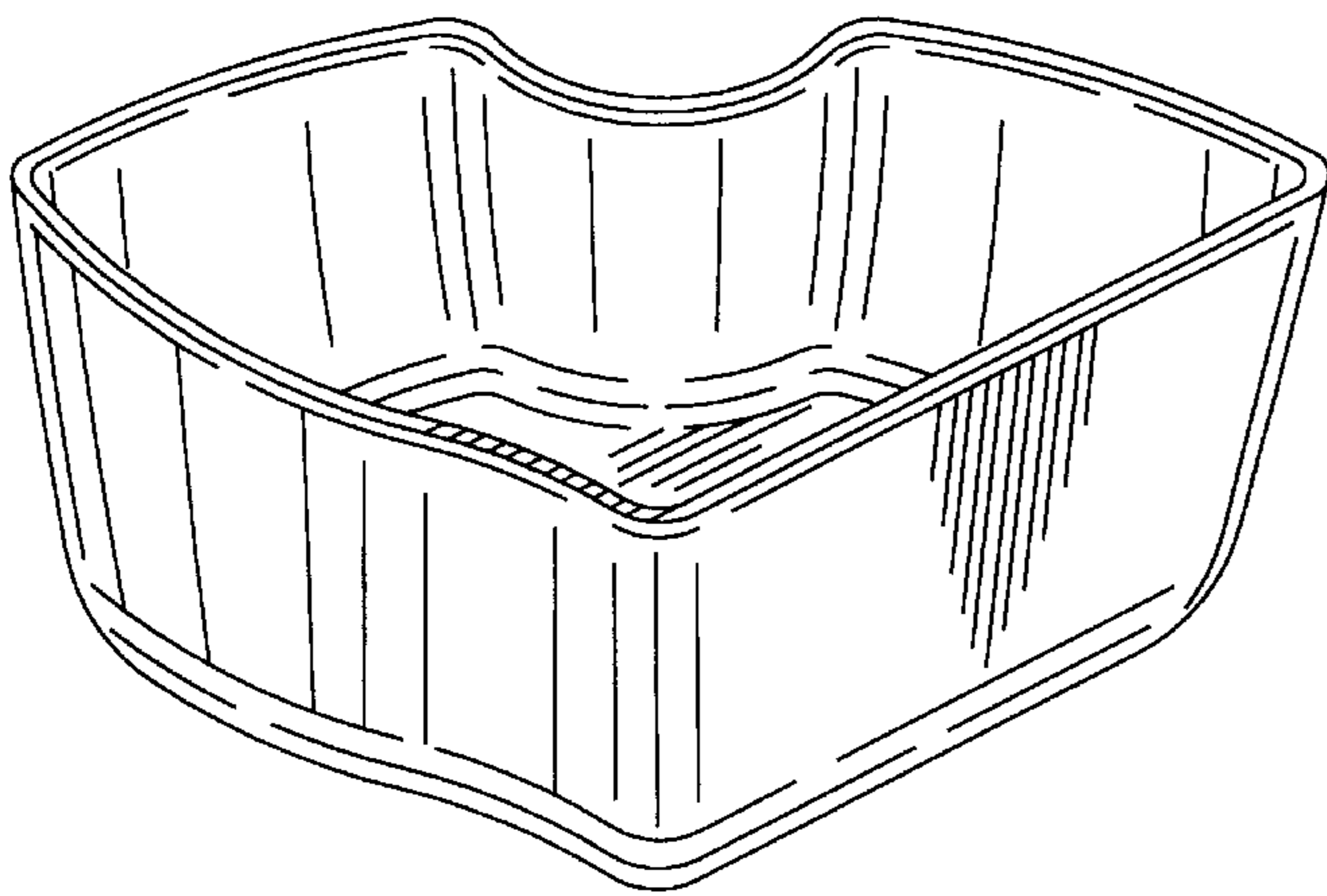
(57) **CLAIM**

The ornamental design for a side dish container insert, as shown and described.

DESCRIPTION

FIG. 1 is a top, side and front perspective view of a side dish container insert showing the new design; FIG. 2 is a front elevation view thereof; FIG. 3 is a rear elevation view thereof; FIG. 4 is a right side elevation view thereof; FIG. 5 is a left side elevation view thereof; FIG. 6 is a top plan view thereof; and, FIG. 7 is a bottom plan view thereof.

1 Claim, 2 Drawing Sheets



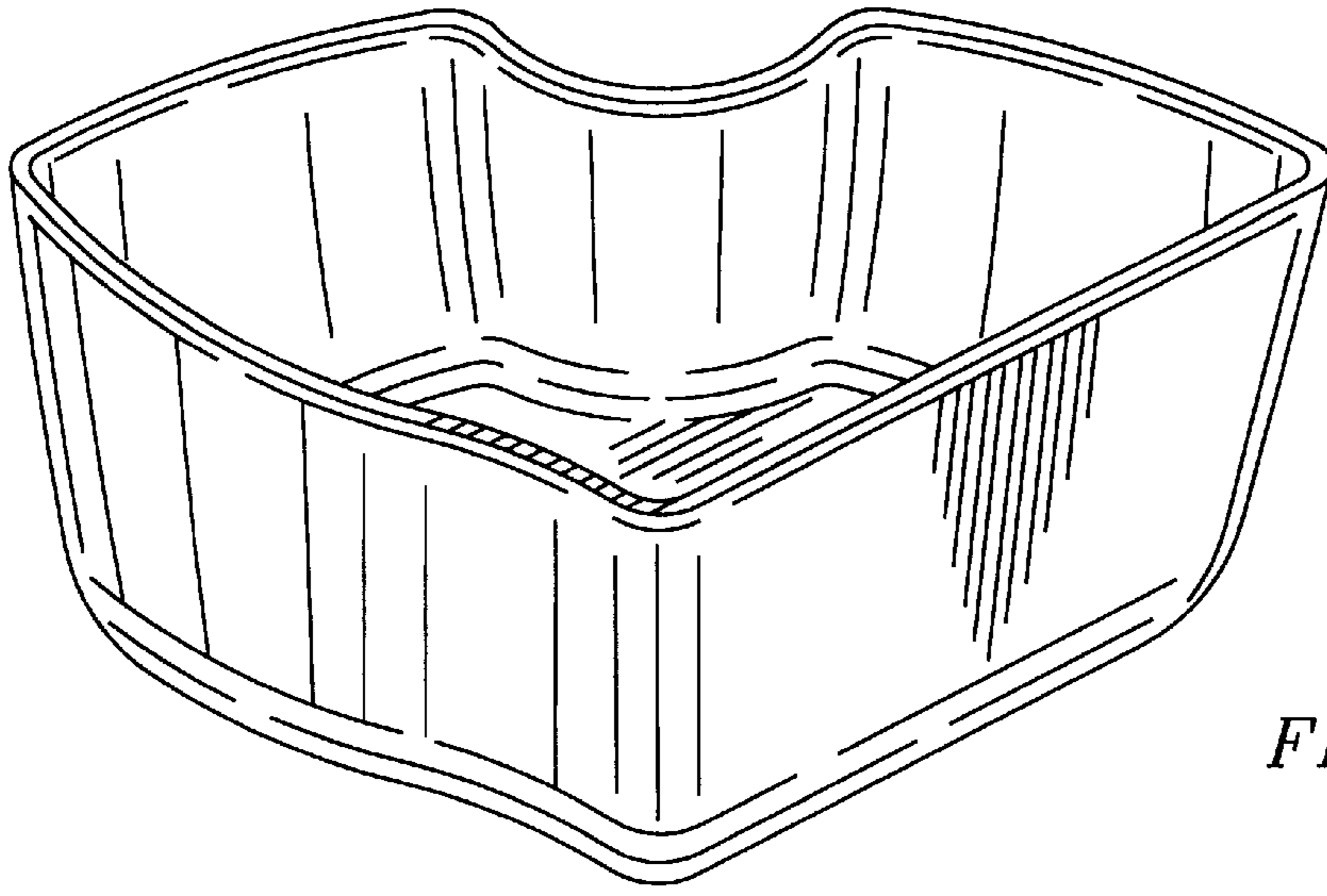


FIG. 1

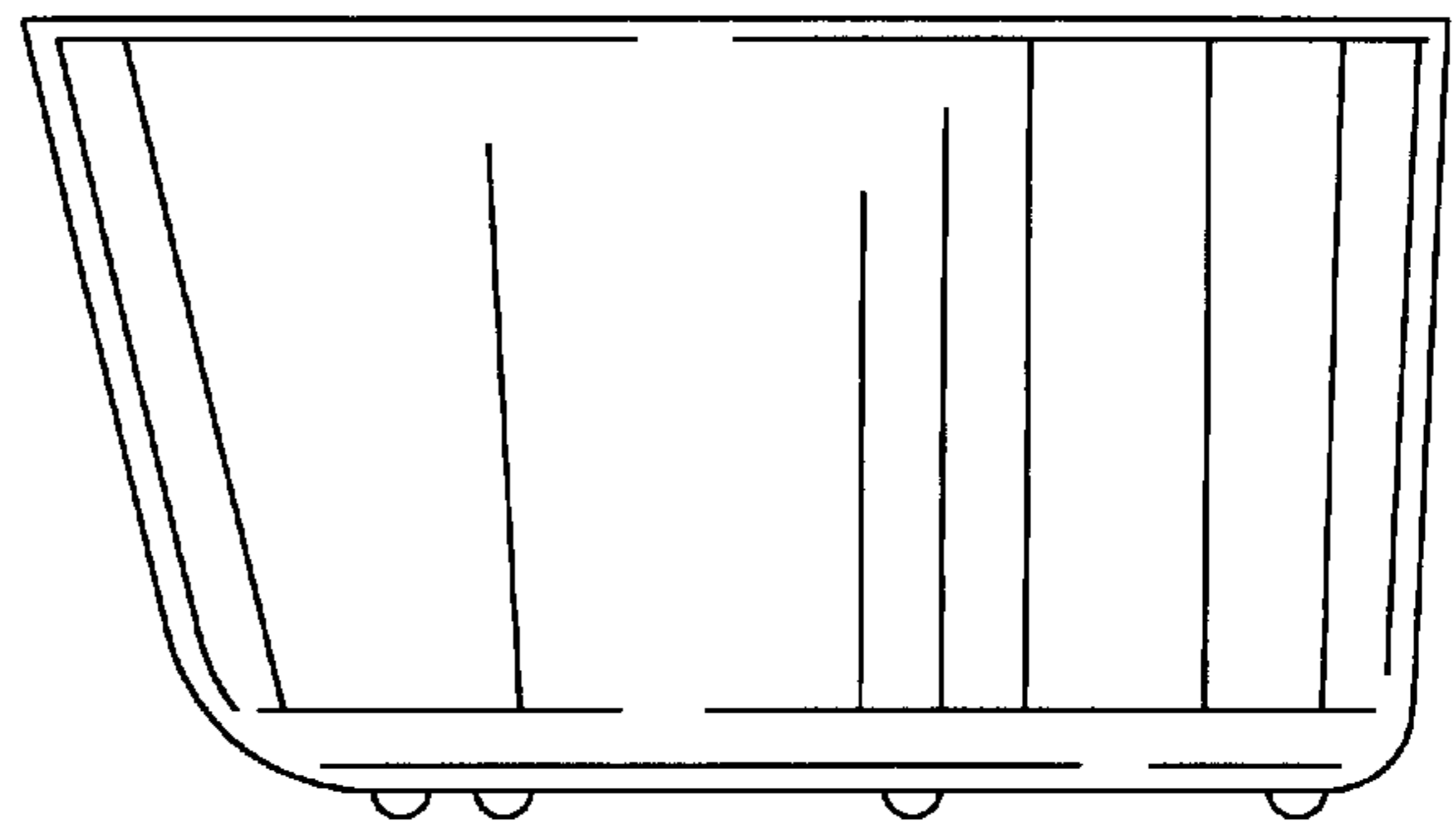


FIG. 2

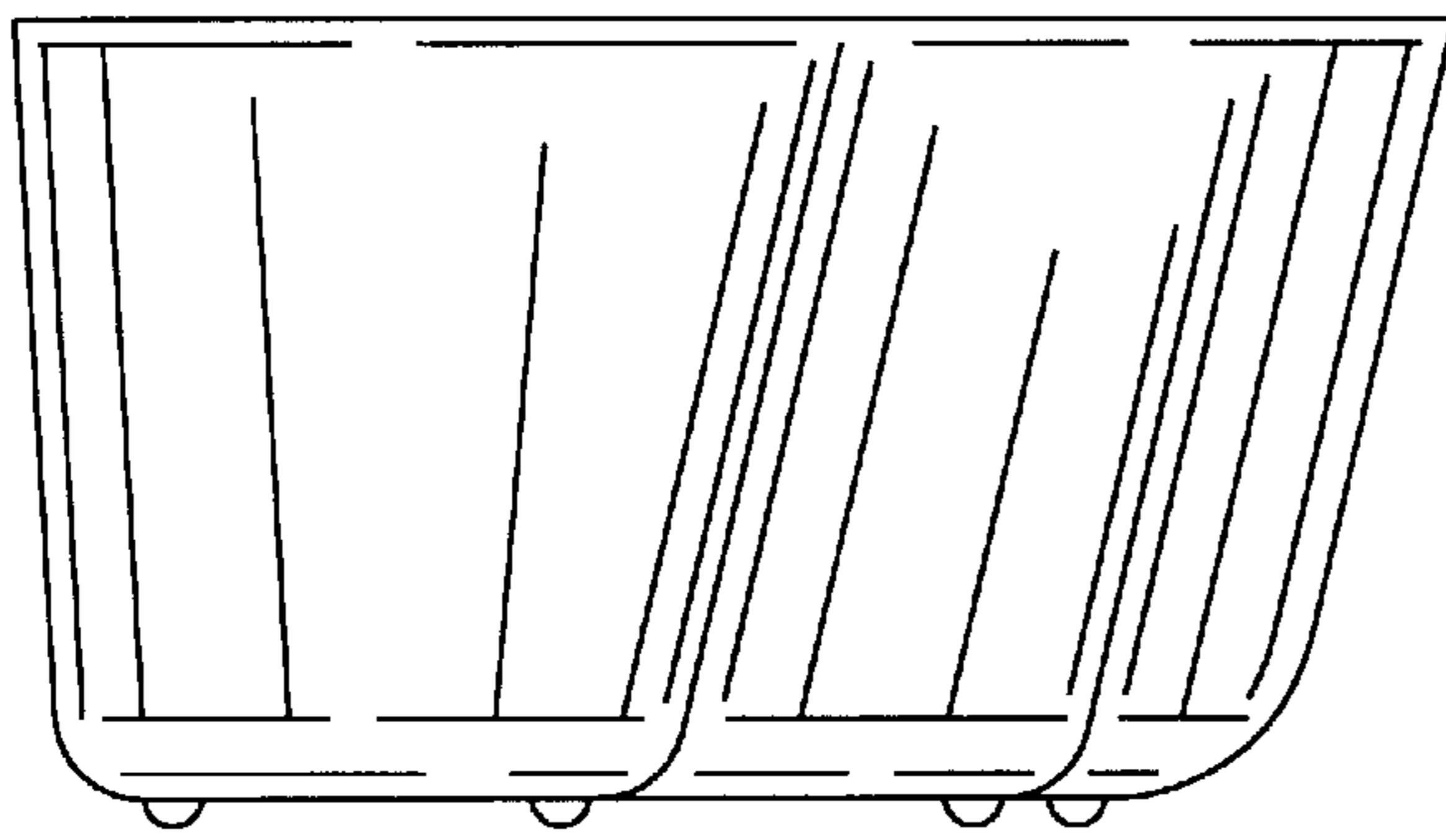


FIG. 3

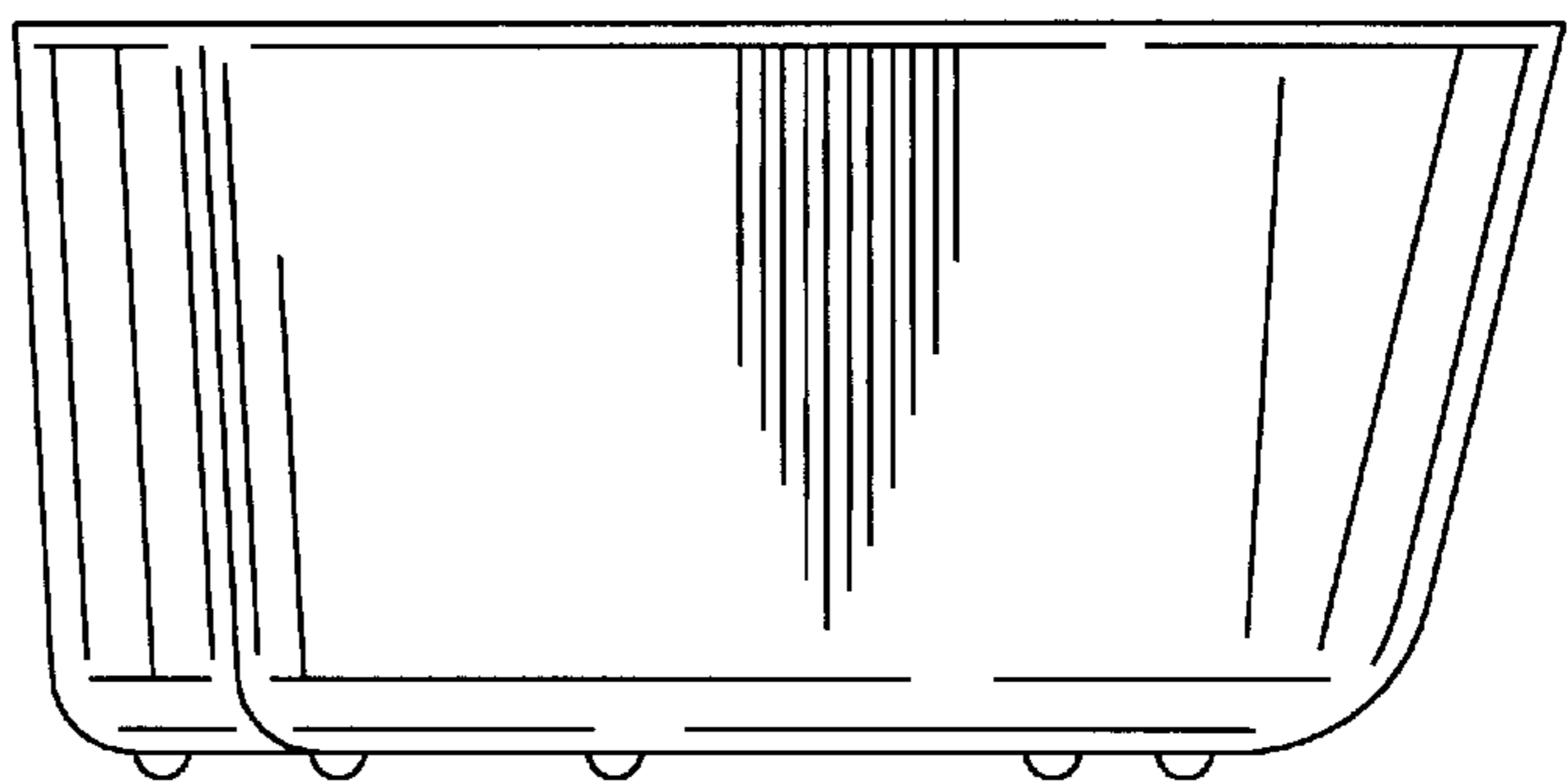


FIG. 4

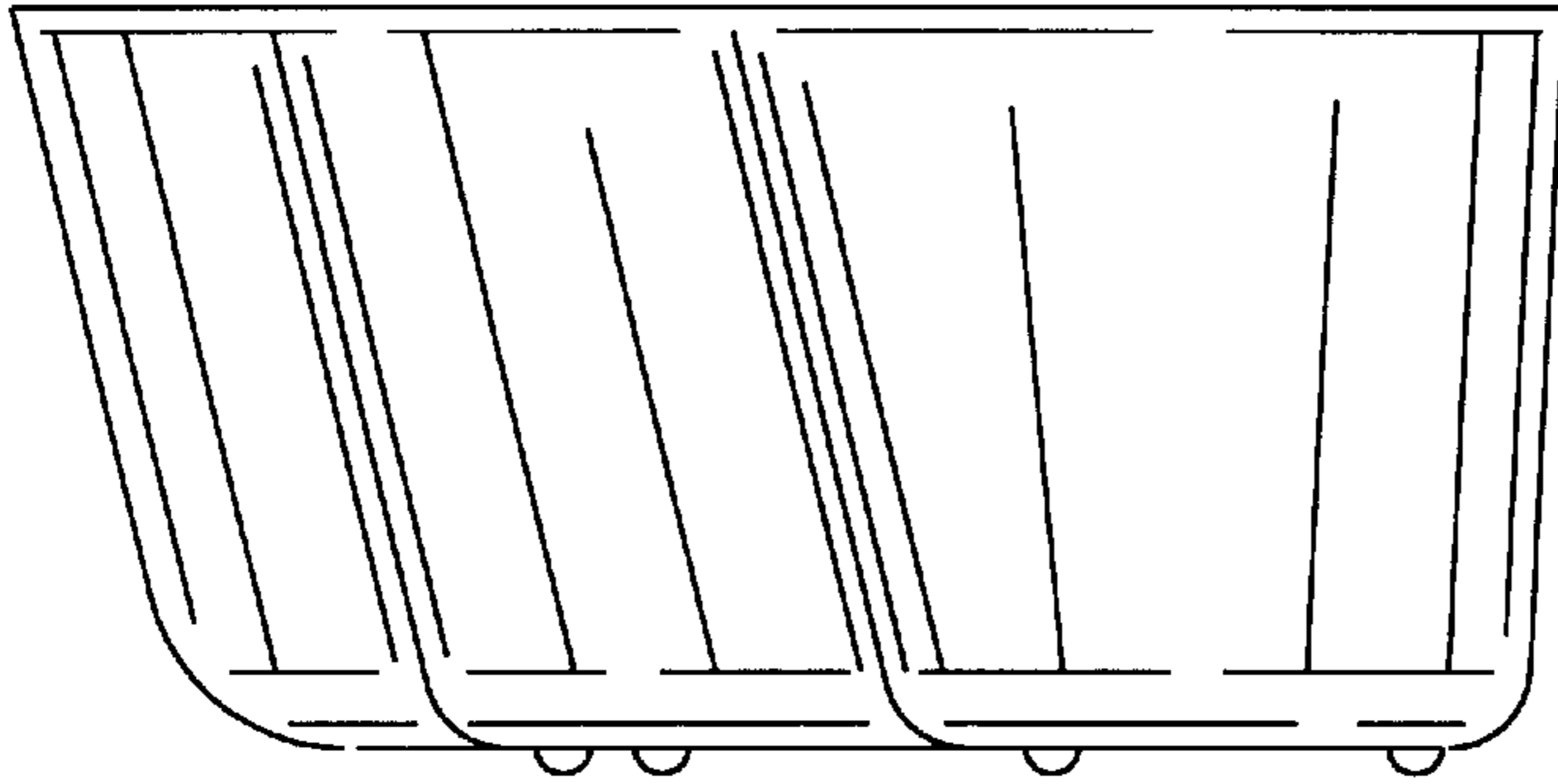


FIG. 5

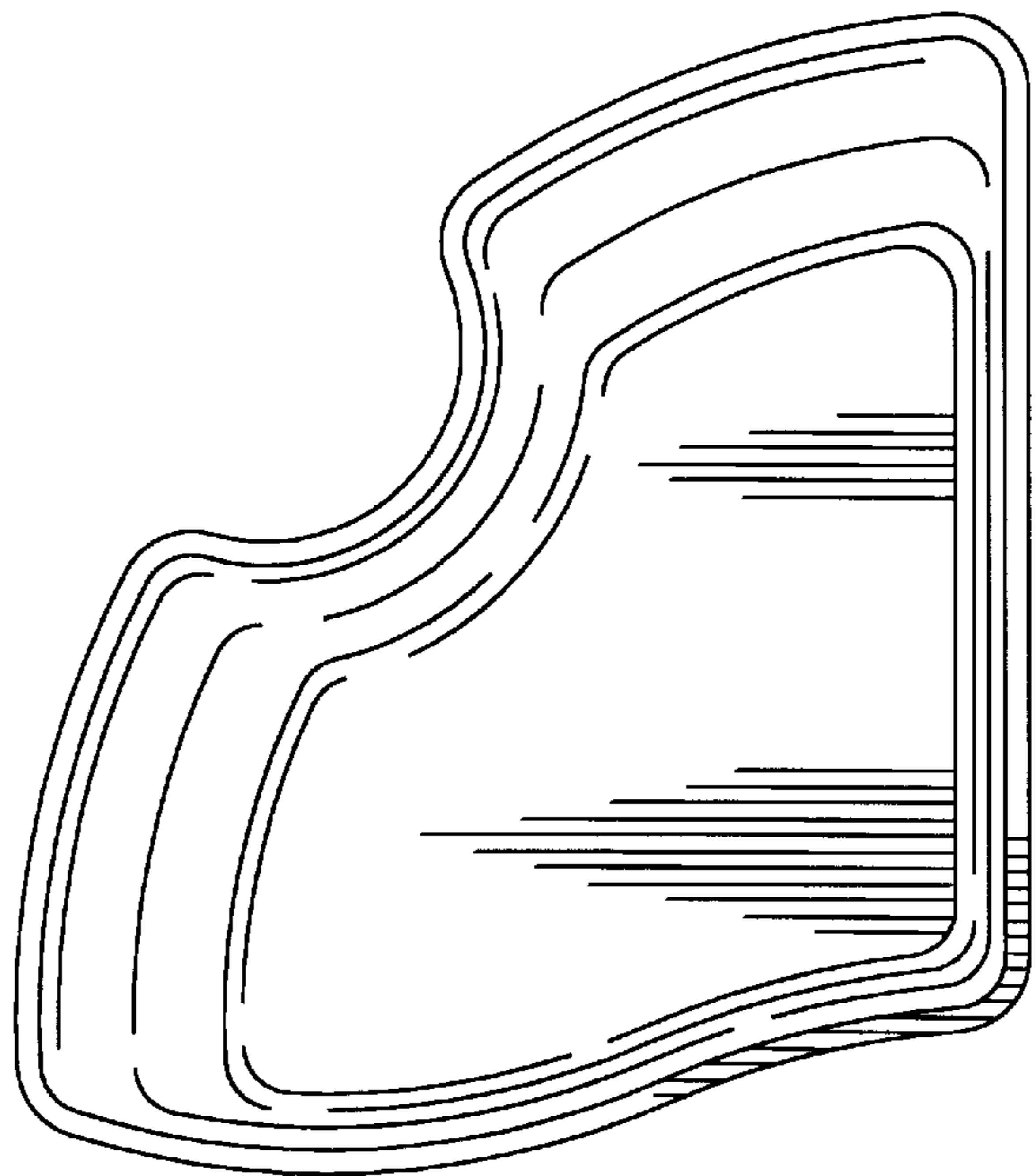


FIG. 6

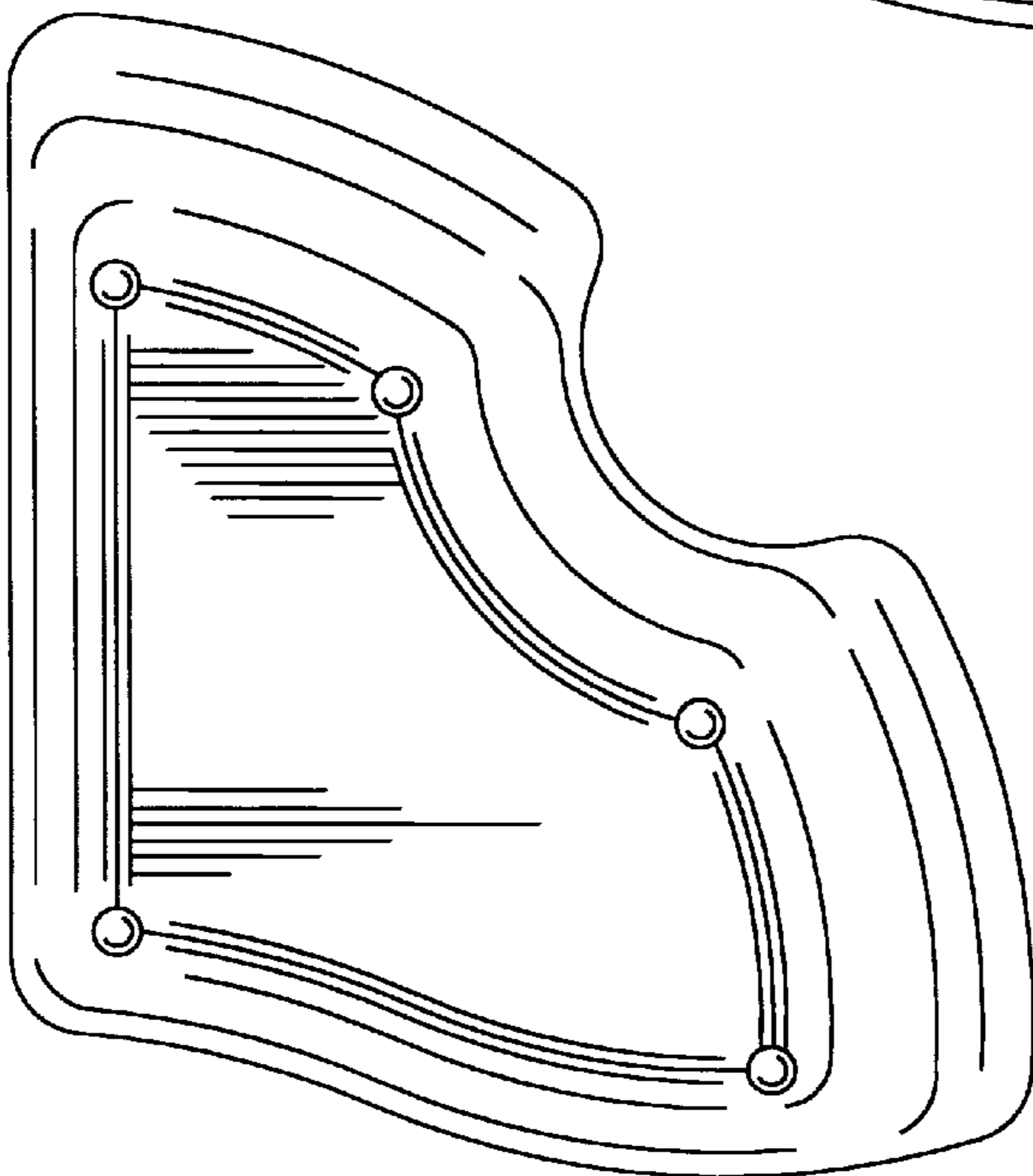


FIG. 7