



US00D442423S

(12) **United States Design Patent**
Monard

(10) **Patent No.:** **US D442,423 S**

(45) **Date of Patent:** **** *May 22, 2001**

(54) **TORTILLA WARMING APPARATUS**

5,458,050 * 10/1995 Su 99/340
5,575,196 * 11/1996 Masel et al. 99/419

(76) Inventor: **Ronald E. Monard**, 44 Fairlane,
Laguna Niguel, CA (US) 92677

* cited by examiner

(*) Notice: This patent is subject to a terminal disclaimer.

Primary Examiner—Ruth McInroy

(**) Term: **14 Years**

(57) **CLAIM**

(21) Appl. No.: **29/060,774**

The ornamental design for a tortilla warming apparatus, as shown.

(22) Filed: **Oct. 7, 1996**

DESCRIPTION

(51) **LOC (7) Cl.** **07-02**

(52) **U.S. Cl.** **D7/350**

(58) **Field of Search** D7/332, 347–350;
126/19 R, 20, 21 R, 21 A, 19 M, 273 R,
275 R, 275 E, 20.1; 99/448, 483, 369.2

FIG. 1 is a top plan view of a tortilla warming apparatus showing my new design with the door open;
FIG. 2 is a top plan view thereof with the door closed;
FIG. 3 is a front elevational view thereof with the door open;
FIG. 4 is a front elevational view thereof with the door closed;
FIG. 5 is a rear elevational view thereof with the door closed;
FIG. 6 is a perspective view thereof with the door open; and,
FIG. 7 is a right side elevational view thereof with the door closed; and,
FIG. 8 is a left side elevational view thereof with the door closed.

(56) **References Cited**

U.S. PATENT DOCUMENTS

- D. 245,162 * 7/1977 Zimmer D7/348
- D. 246,686 * 12/1977 Boldt D7/354
- D. 248,363 * 7/1978 Rinaldi D7/354
- D. 256,761 * 9/1980 Martin et al. D7/354
- D. 259,384 * 6/1981 Levin D7/323
- D. 350,449 * 9/1994 Kaneko D7/358
- 3,769,899 * 11/1973 Kostko 99/324
- 4,013,869 * 3/1977 Orts 219/401
- 5,404,803 * 4/1995 Glucksman 99/473

The portions shown in broken lines in all views are for illustrative purposes only and form no part of the claimed design.

1 Claim, 4 Drawing Sheets

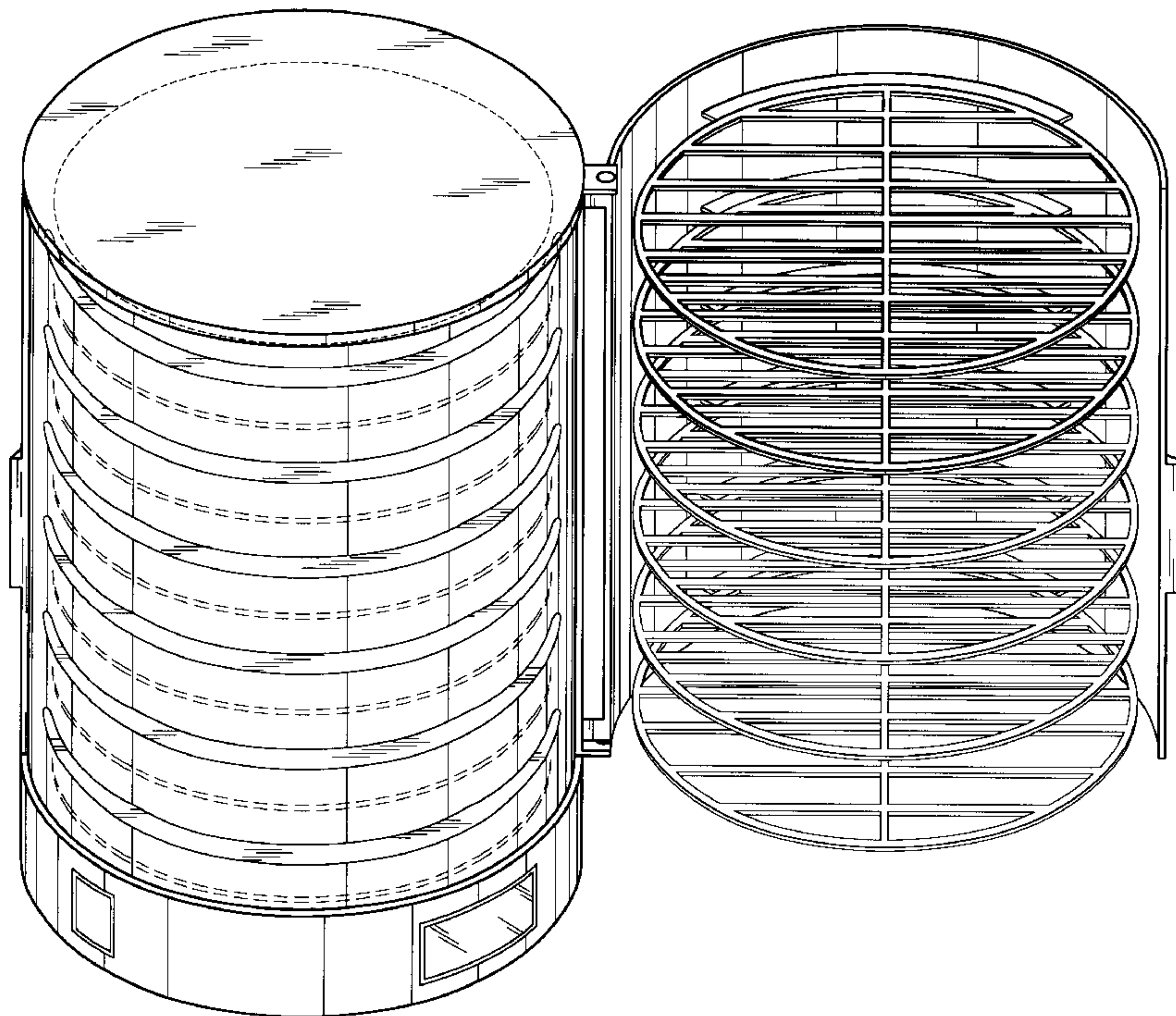


FIG. 1

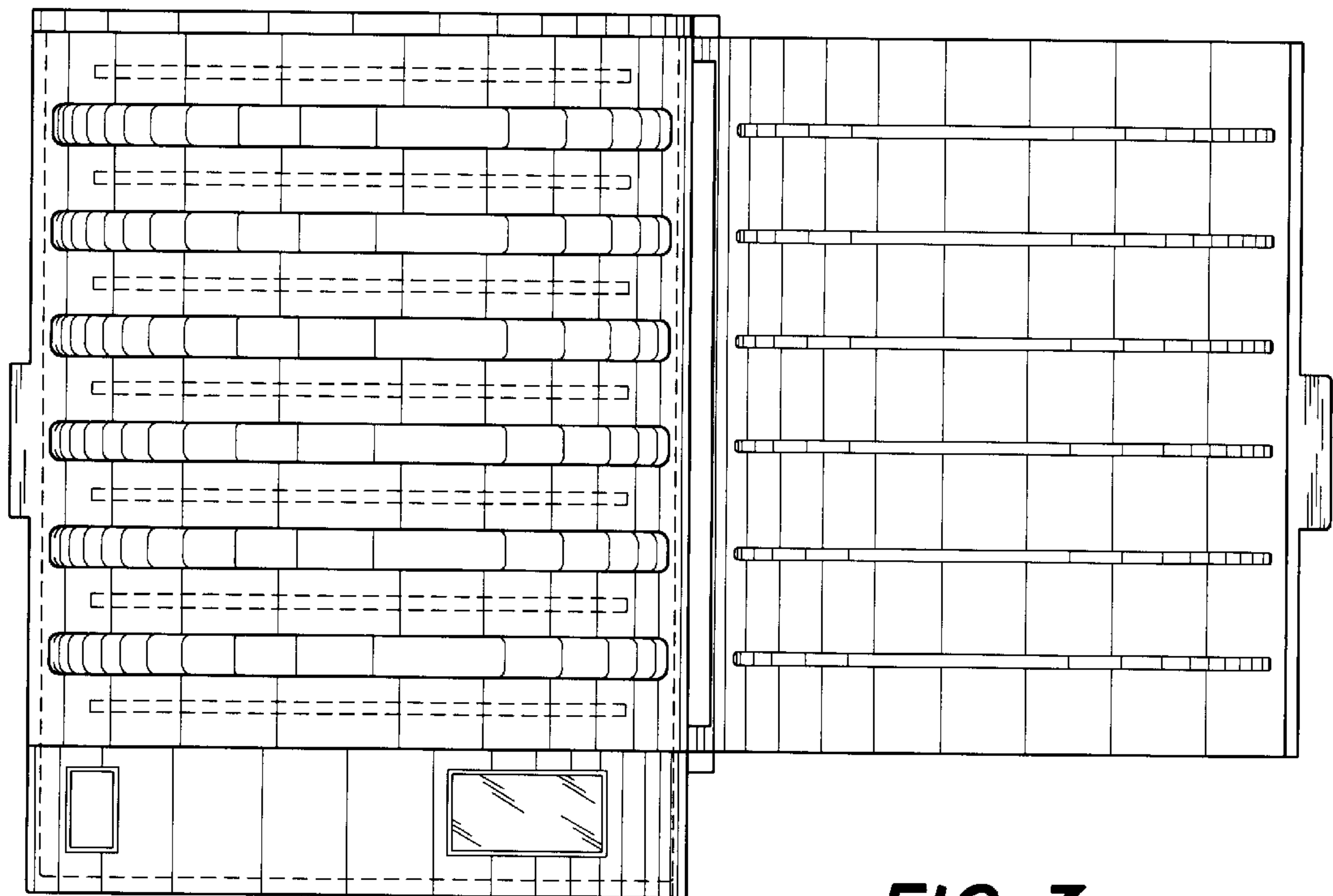
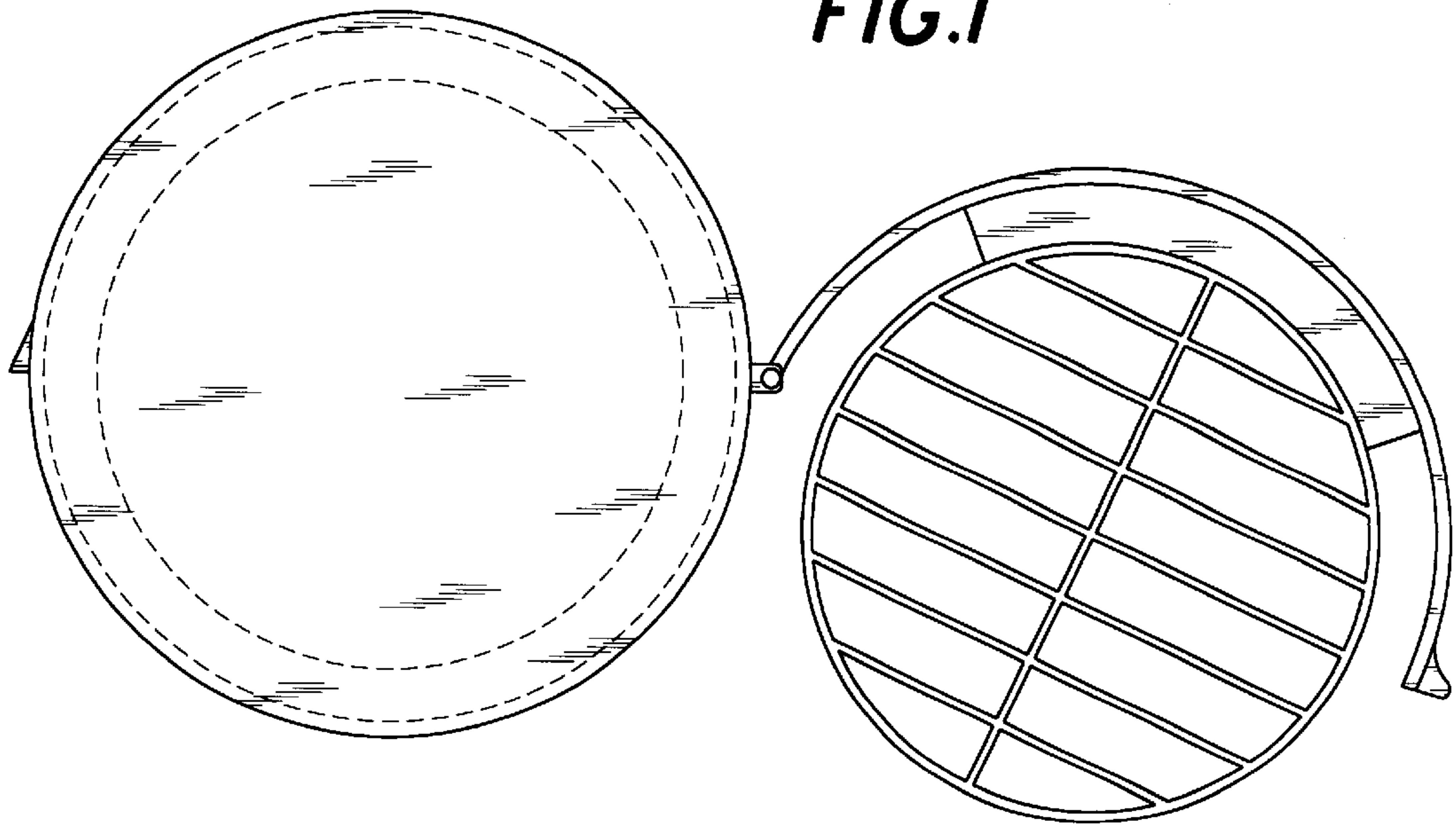


FIG. 3

FIG. 2

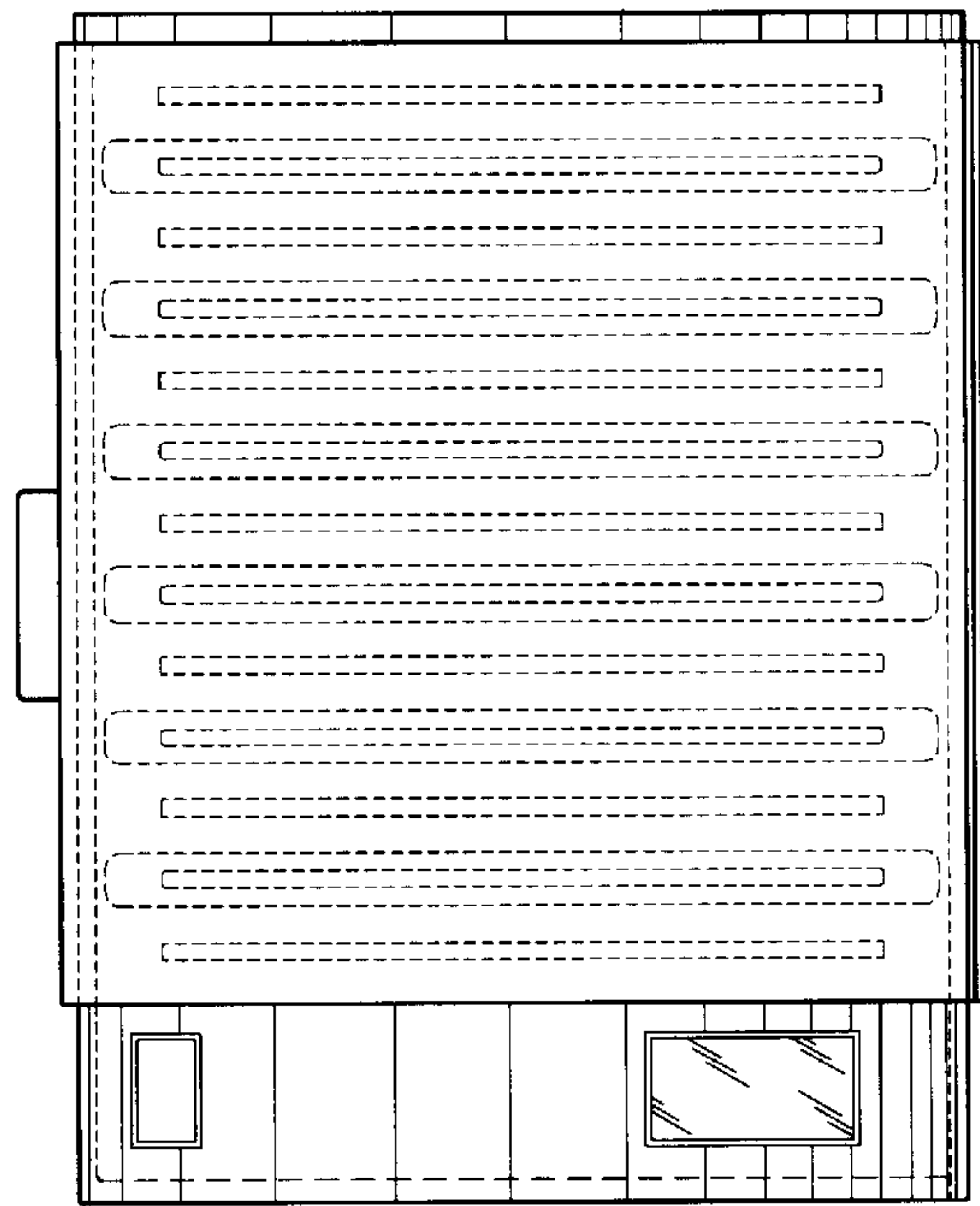
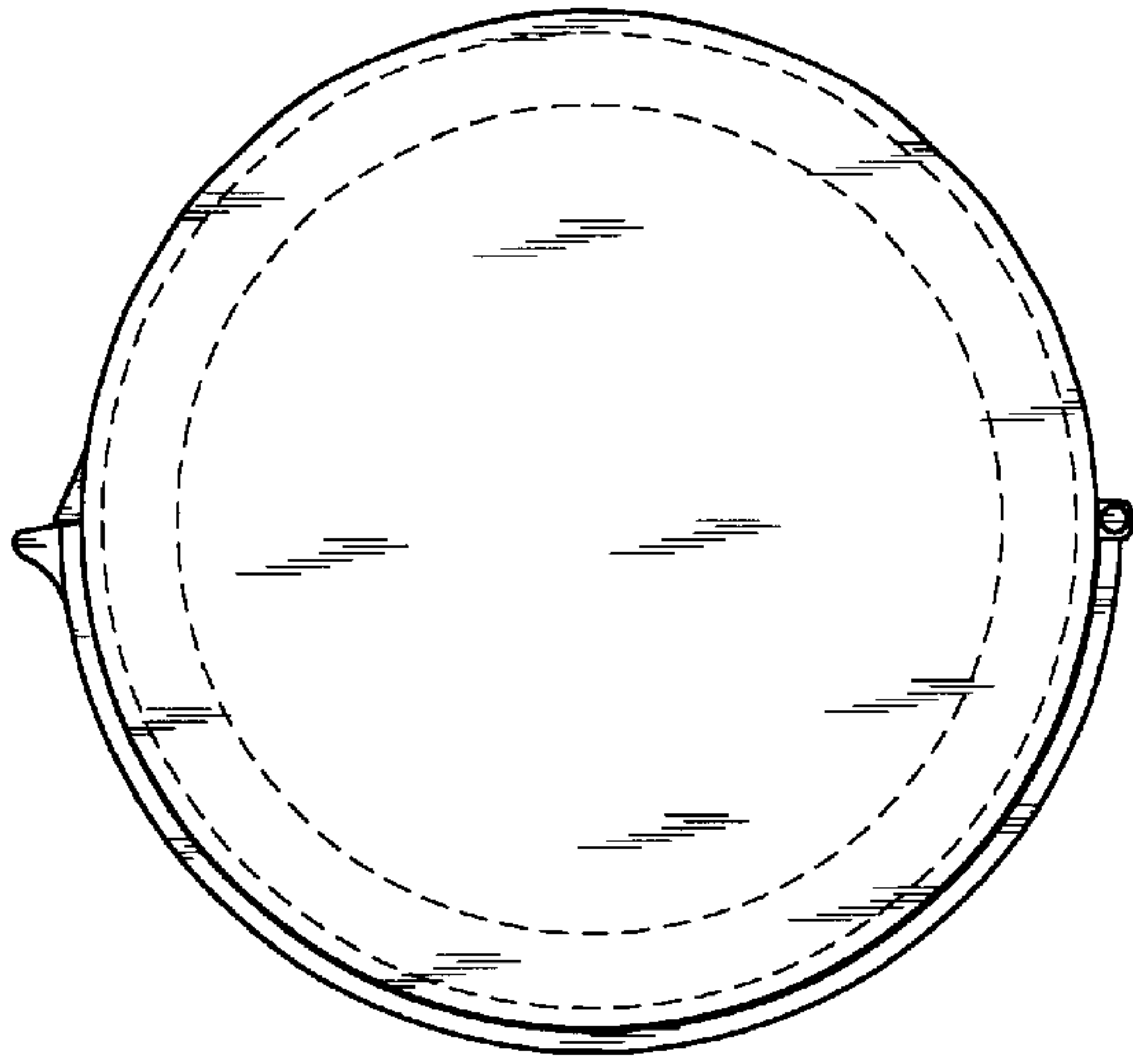


FIG. 4

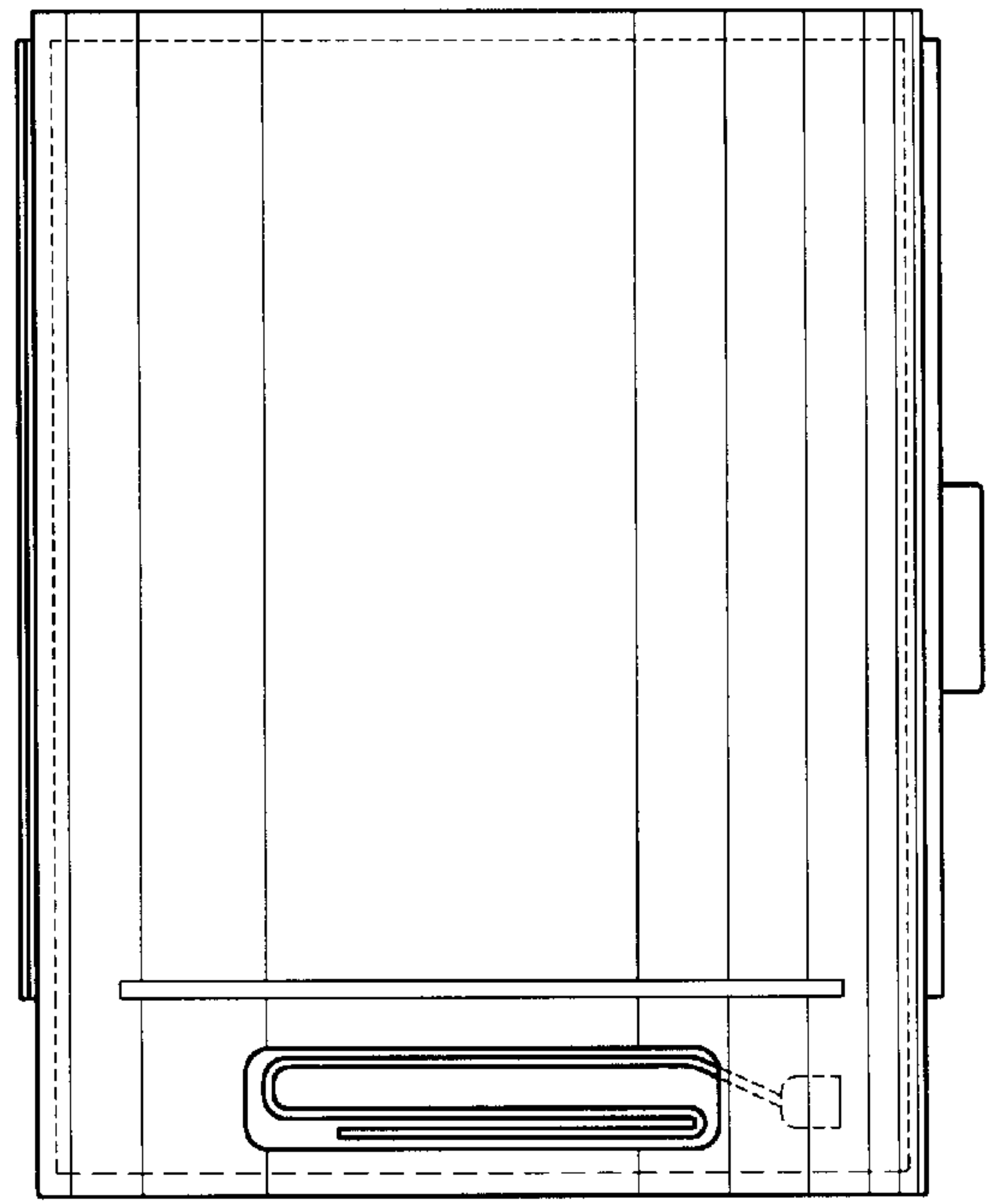
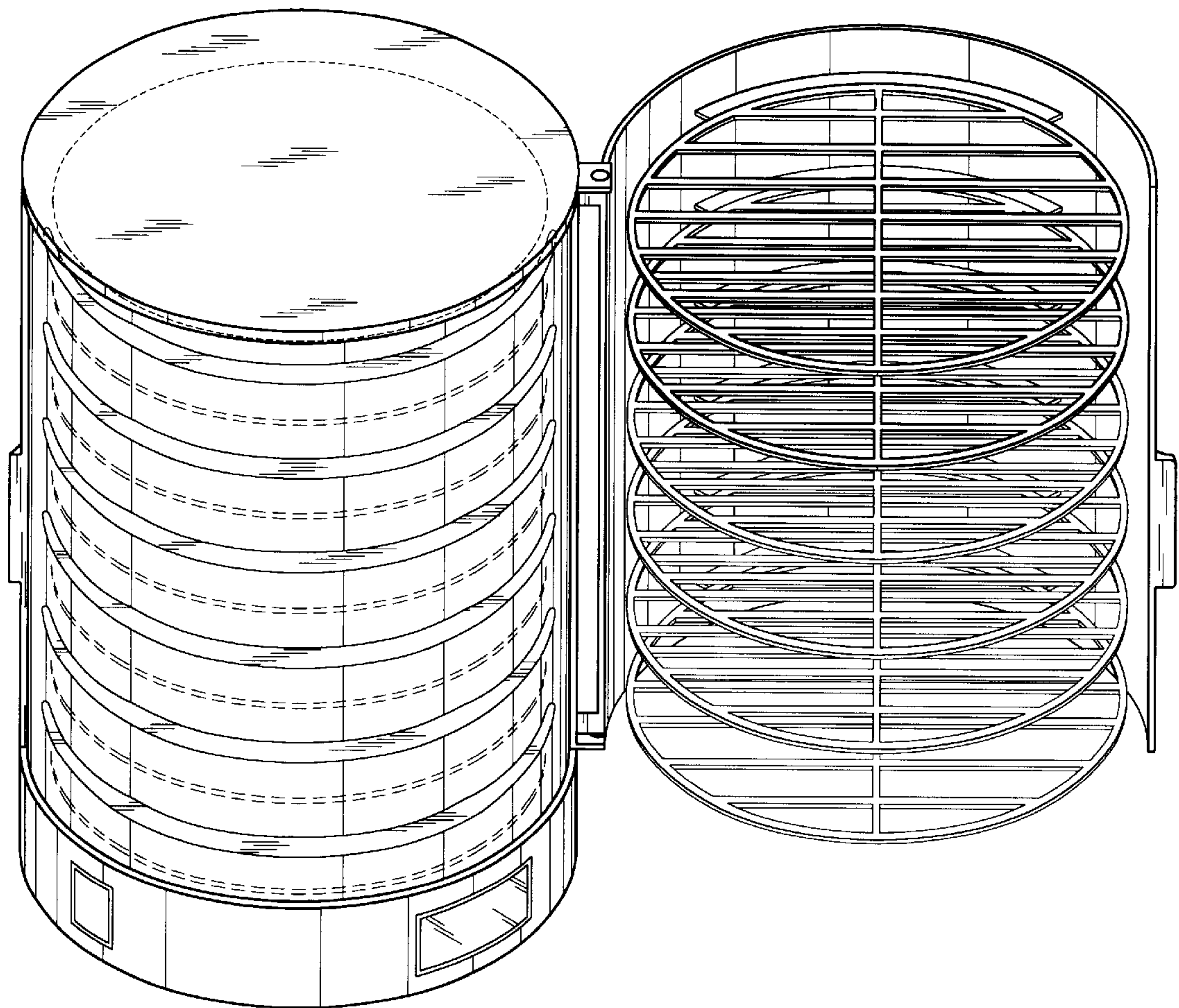


FIG. 5

FIG.6



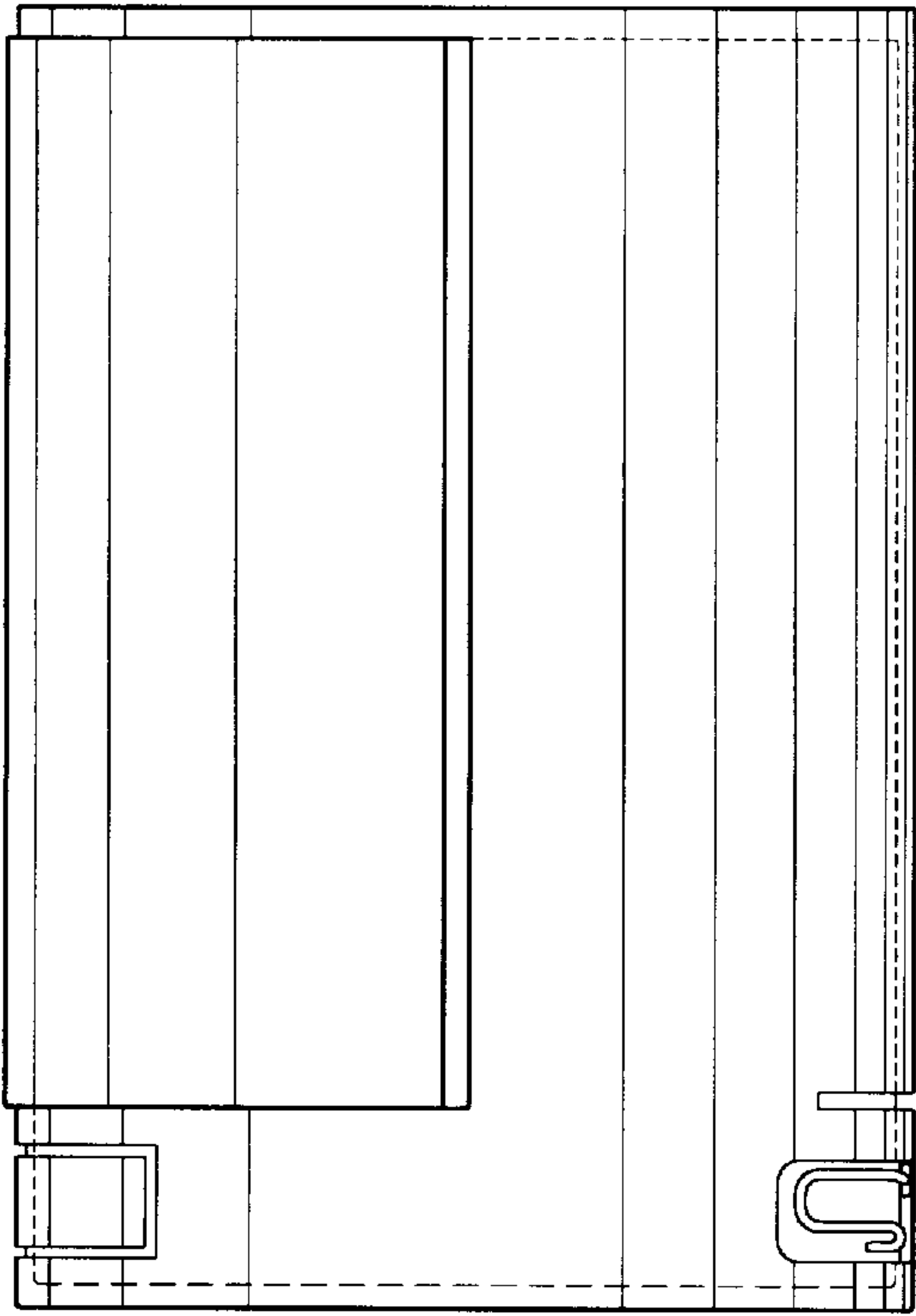


FIG. 7

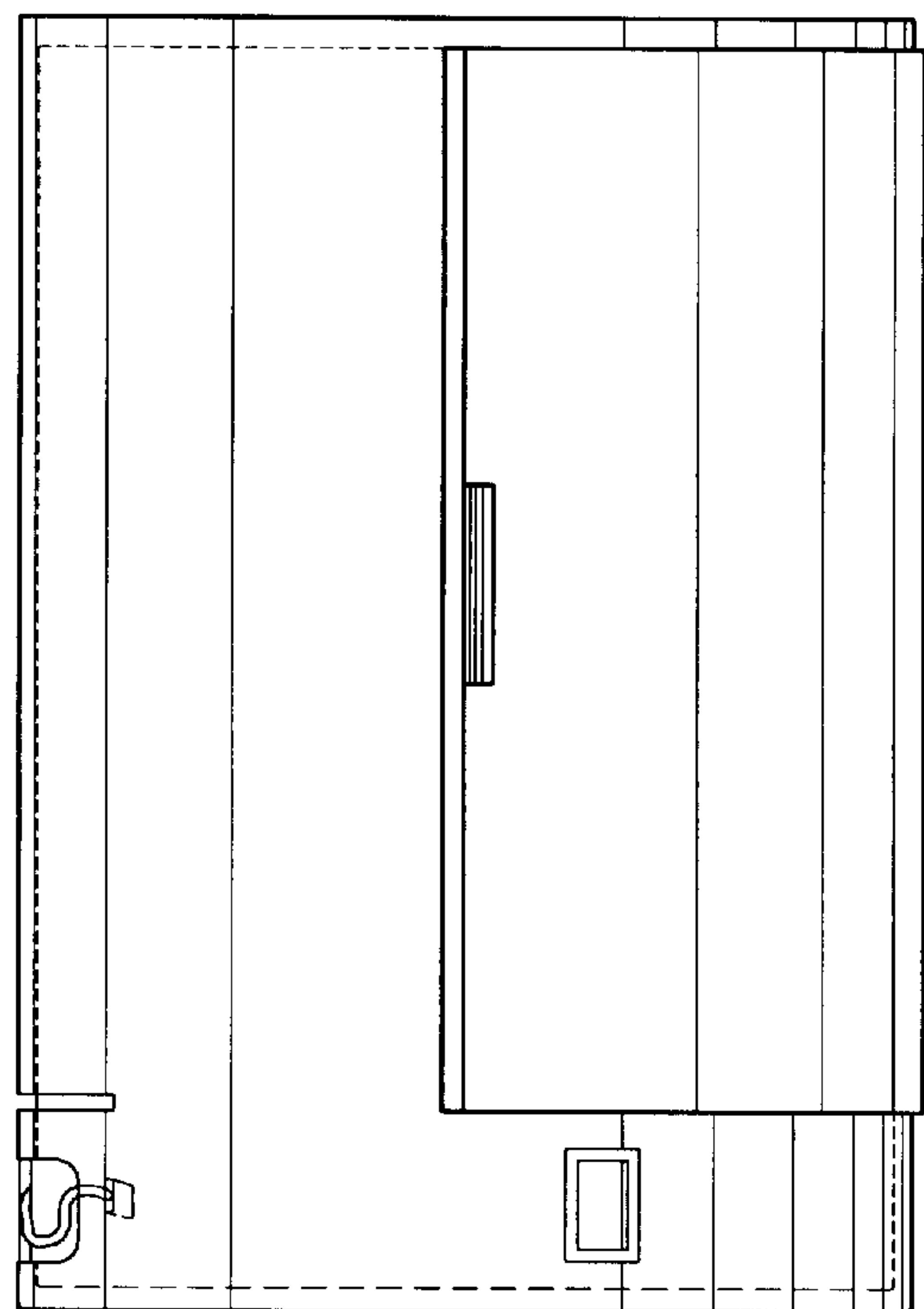


FIG. 8