



US00D442422S

(12) **United States Design Patent**
Dabney

(10) **Patent No.:** **US D442,422 S**

(45) **Date of Patent:** **** May 22, 2001**

(54) **COMBINATION GRILL, SMOKER AND FLOWERPOT**

(76) **Inventor:** **Robert L. Dabney**, 3189 Las Palmas, Houston, TX (US) 77027

(**) **Term:** **14 Years**

(21) **Appl. No.:** **29/078,109**

(22) **Filed:** **Oct. 16, 1997**

(51) **LOC (7) Cl.** **07-02**

(52) **U.S. Cl.** **D7/337; D11/152**

(58) **Field of Search** **D7/332-338, 402-404, D7/409; 126/25 R, 25 A, 25 AA, 26-27, 29-30, 9 R, 41 R, 40, 50, 245, 38; 99/482**

(56) **References Cited**

U.S. PATENT DOCUMENTS

D. 198,040	*	4/1964	Bonham et al.	D11/152
D. 270,420	*	9/1983	Baugh	D7/337
D. 287,091	*	12/1986	Elliston	D7/337
D. 293,163	*	12/1987	Roth	D12/420
D. 366,855	*	2/1996	Deelen	D11/152
D. 379,900	*	6/1997	Gillam et al.	D7/337
D. 383,640	*	9/1997	Yu	D7/337
D. 397,476	*	8/1998	Gween	D26/55
D. 400,823	*	11/1998	Bagshaw	D11/152
2,700,847	*	2/1955	Brasol	.	
2,738,621	*	3/1956	Abbrecht	.	
2,854,790	*	10/1958	Hartung	D11/152
5,645,041	*	7/1997	Yu	126/25 R
5,687,704	*	11/1997	Lerch et al.	126/25 R

* cited by examiner

Primary Examiner—Ruth McInroy
(74) *Attorney, Agent, or Firm*—Browning Bushman

(57) **CLAIM**

The ornamental design for a combination grill, smoker and flowerpot, as shown and described.

DESCRIPTION

FIG. 1 is a perspective illustration viewed from above and to the right front of the combination of the present invention configured for use as a grill;

FIG. 2 is a front elevation of the grill of FIG. 1, the back elevation being identical;

FIG. 3 is a right side elevation of the grill of FIG. 1, the left side elevation being identical;

FIG. 4 is a top view of the grill of FIG. 1;

FIG. 5 is a bottom view of the grill of FIG. 1;

FIG. 6 is a cross-sectional view through the plane 6—6 of the grill of FIG. 1;

FIG. 7 is a perspective illustration viewed from above and to the front of the present invention configured as a flowerpot, the back and side views being identical;

FIG. 8 is a cross-sectional view through the plane 8—8 of the flowerpot of FIG. 7;

FIG. 9 is a top view of the flowerpot of FIG. 7;

FIG. 10 is a cross-sectional view of the combination of the present invention configured as a smoker;

FIG. 11 is a top view of the smoker of FIG. 10;

FIG. 12 is a perspective illustration viewed from above and to the front of the smoker of FIG. 10, the back and side views being identical; and,

FIG. 13 is a front elevation of the smoker of FIG. 10, the back and side views being identical.

The soil and flowers shown in broken lines in FIG. 7 are not a part of the claimed design. The bottom view of the present invention configured as the flowerpot of FIG. 7 and the smoker of FIG. 12 is identical to the bottom view of FIG. 5 but without the grill handles showing.

1 Claim, 4 Drawing Sheets

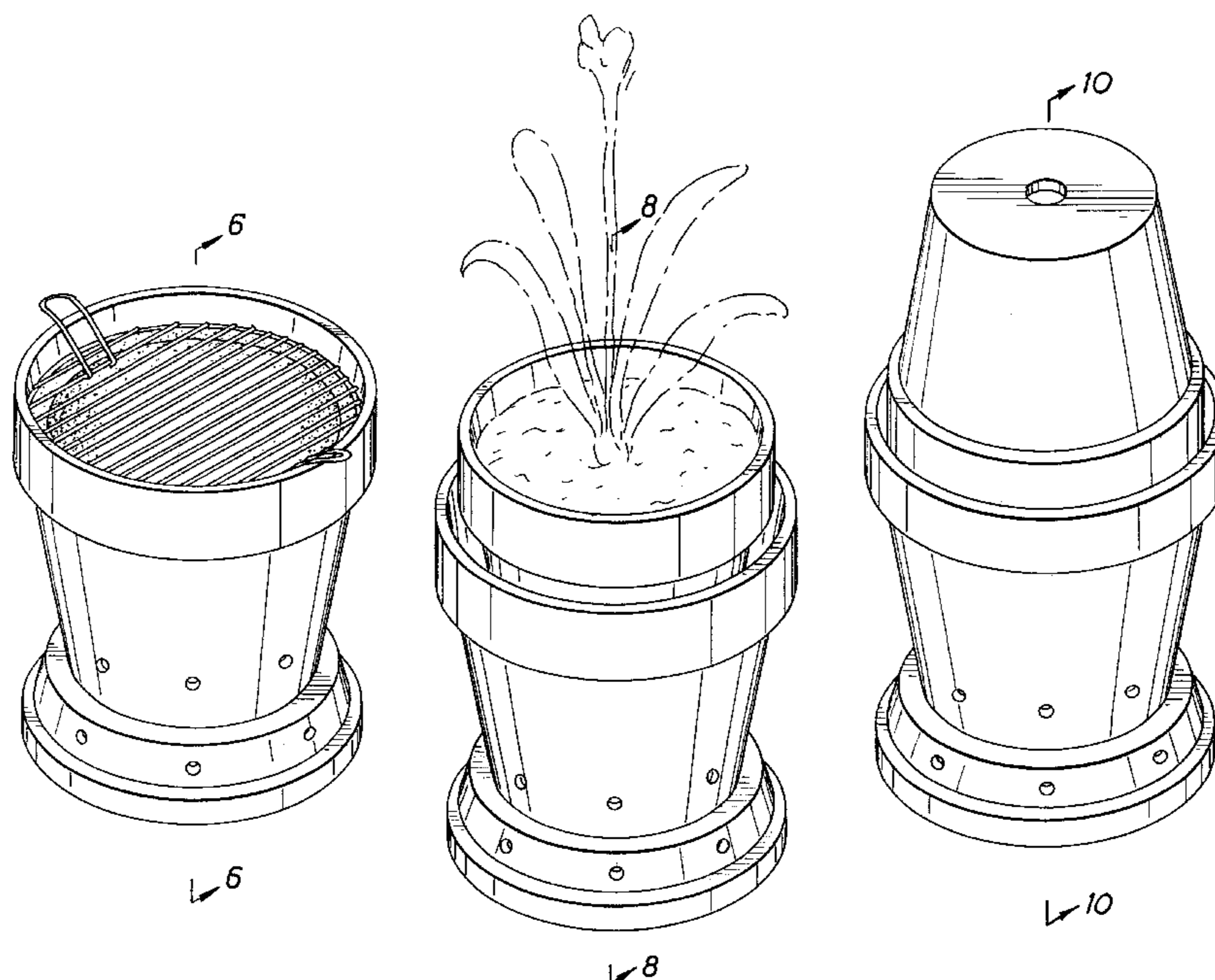


FIG. 1

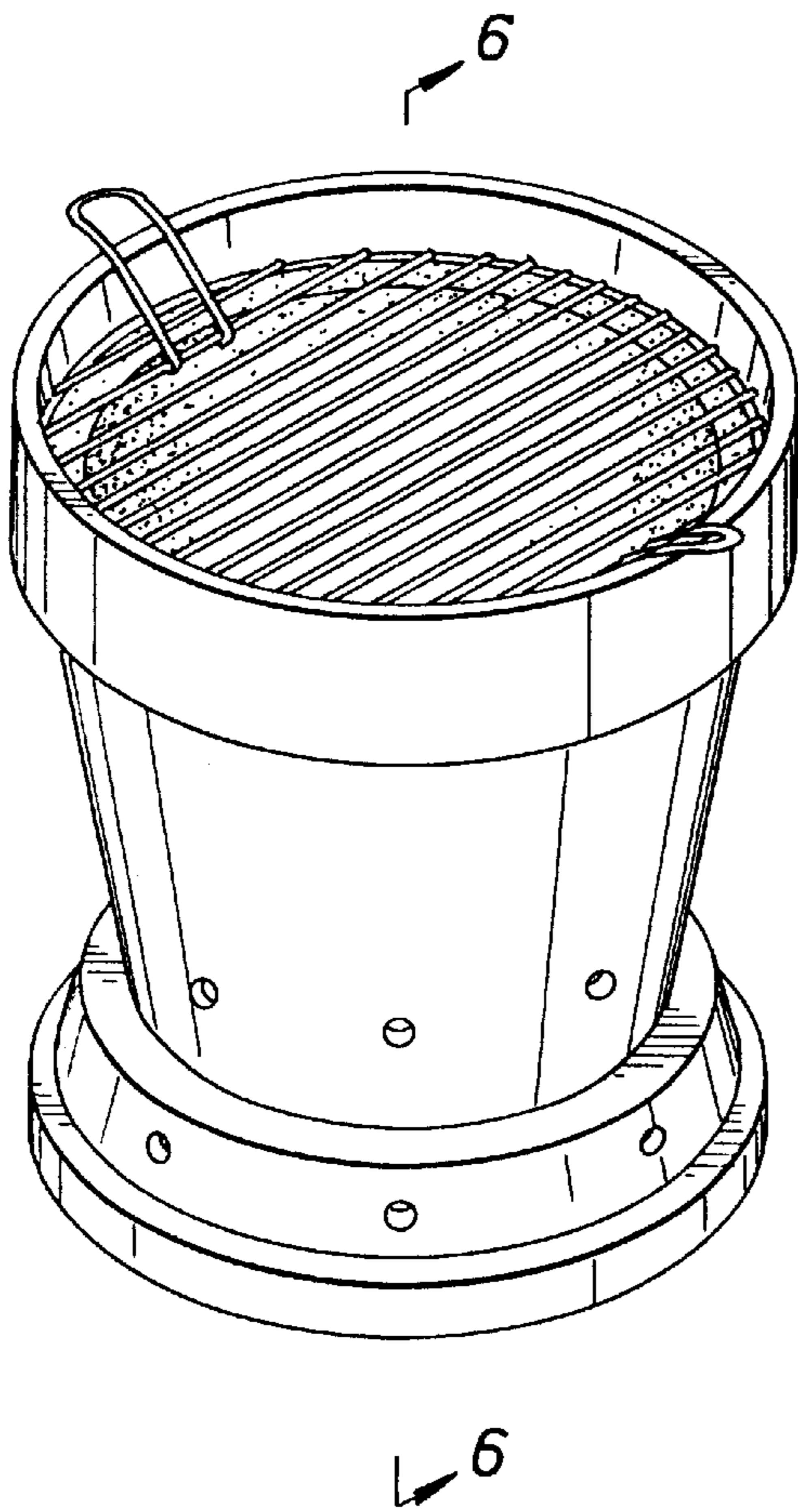


FIG. 2

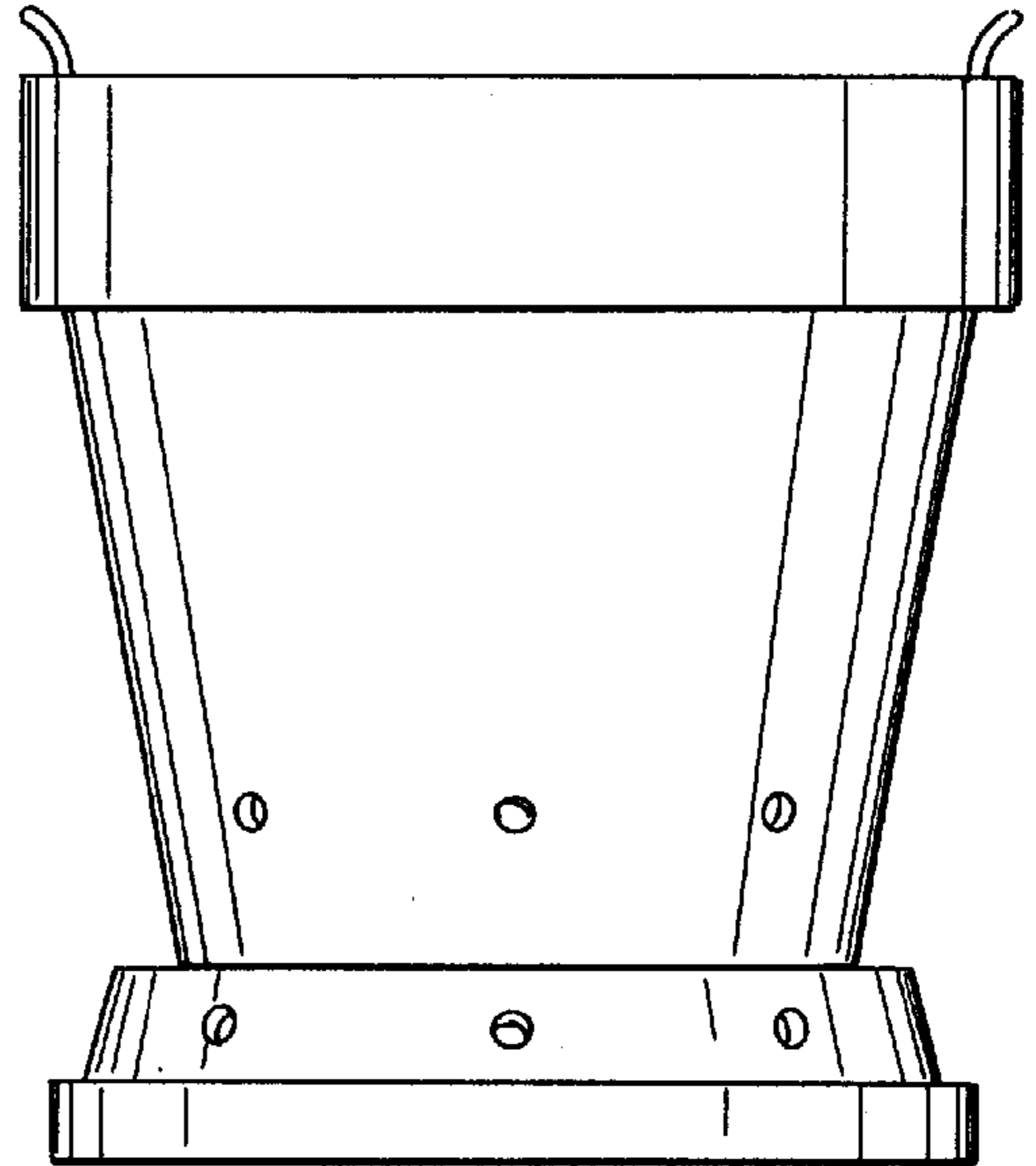


FIG. 3

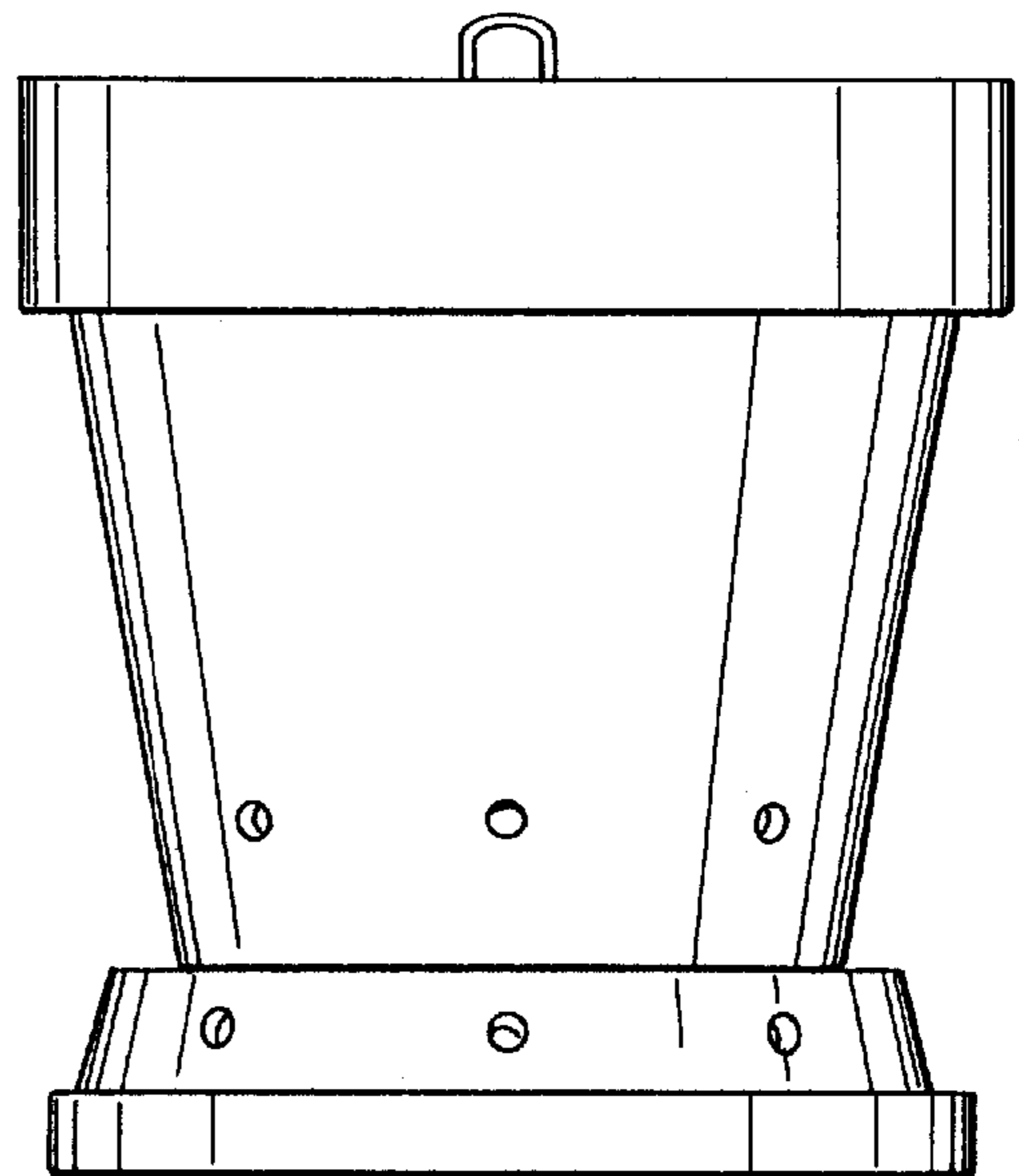


FIG. 4

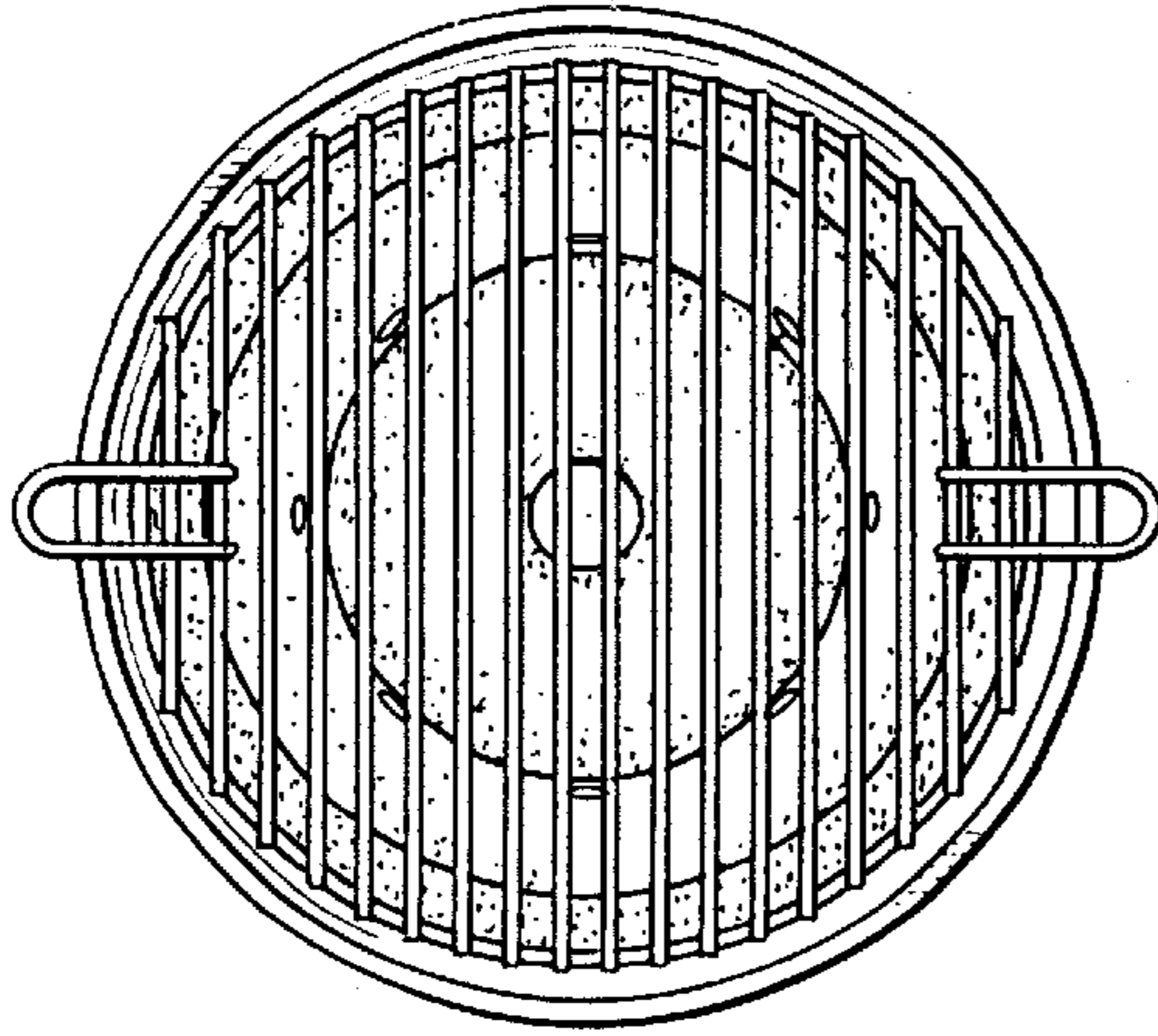


FIG. 5

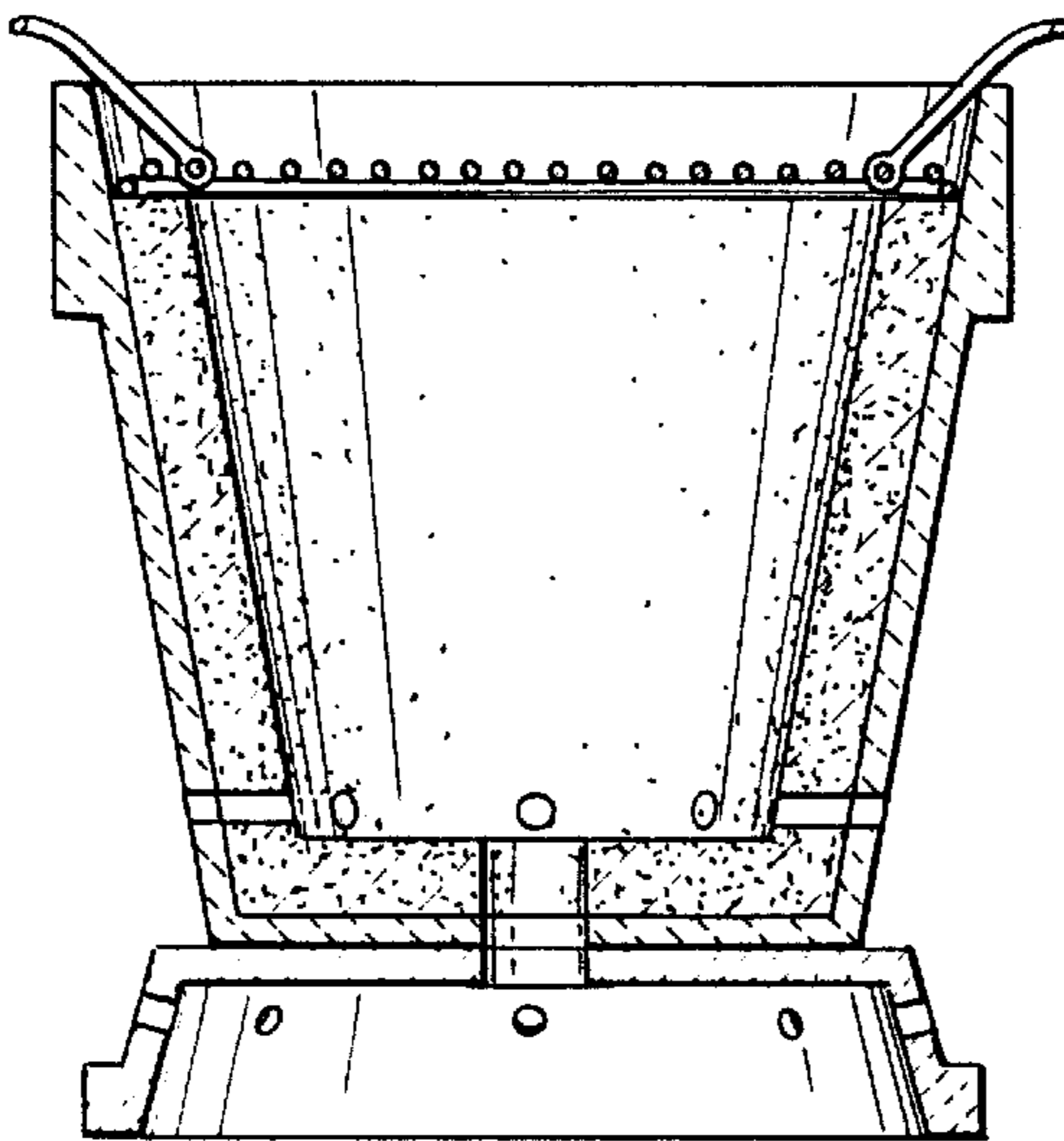
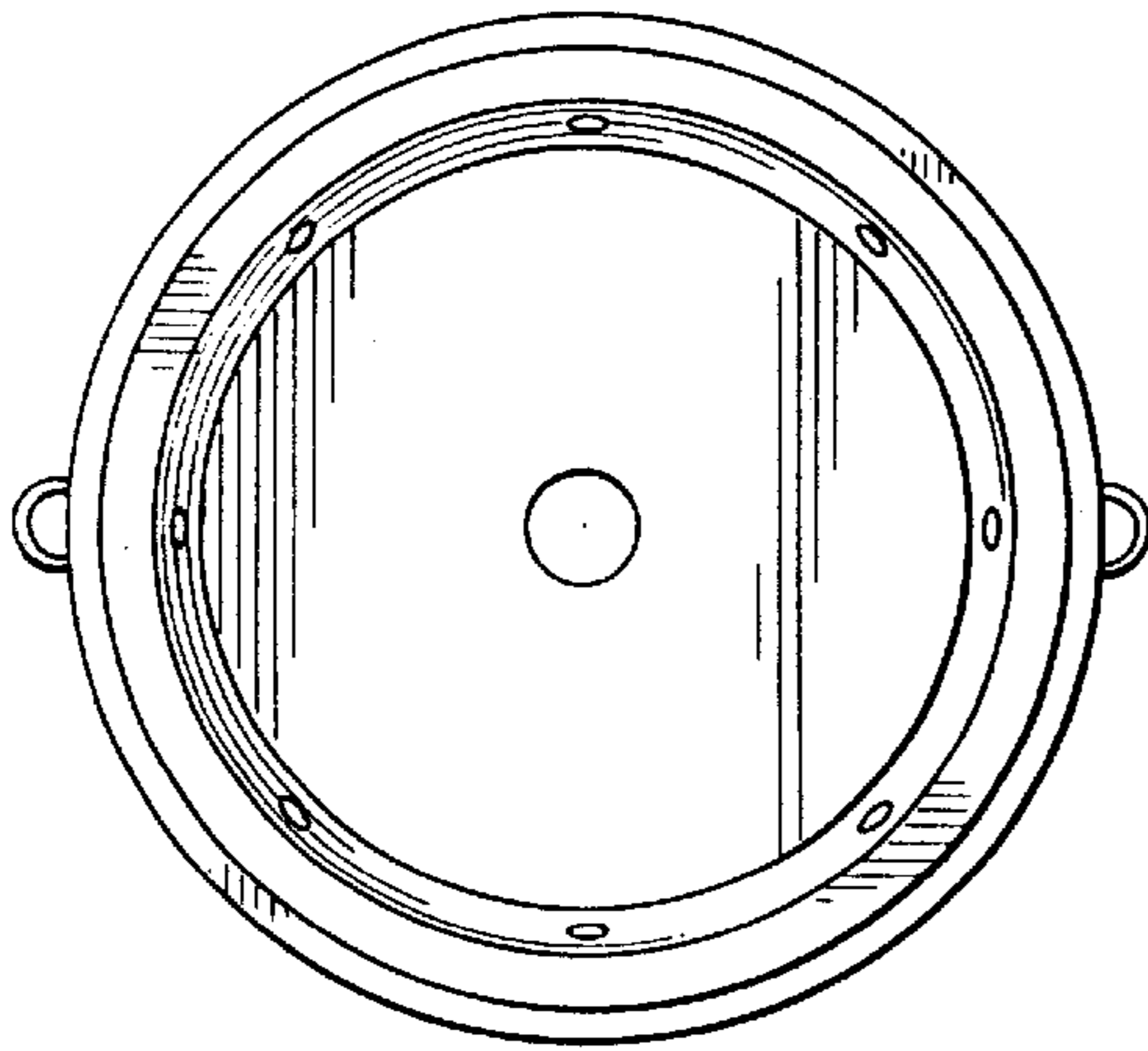


FIG. 6

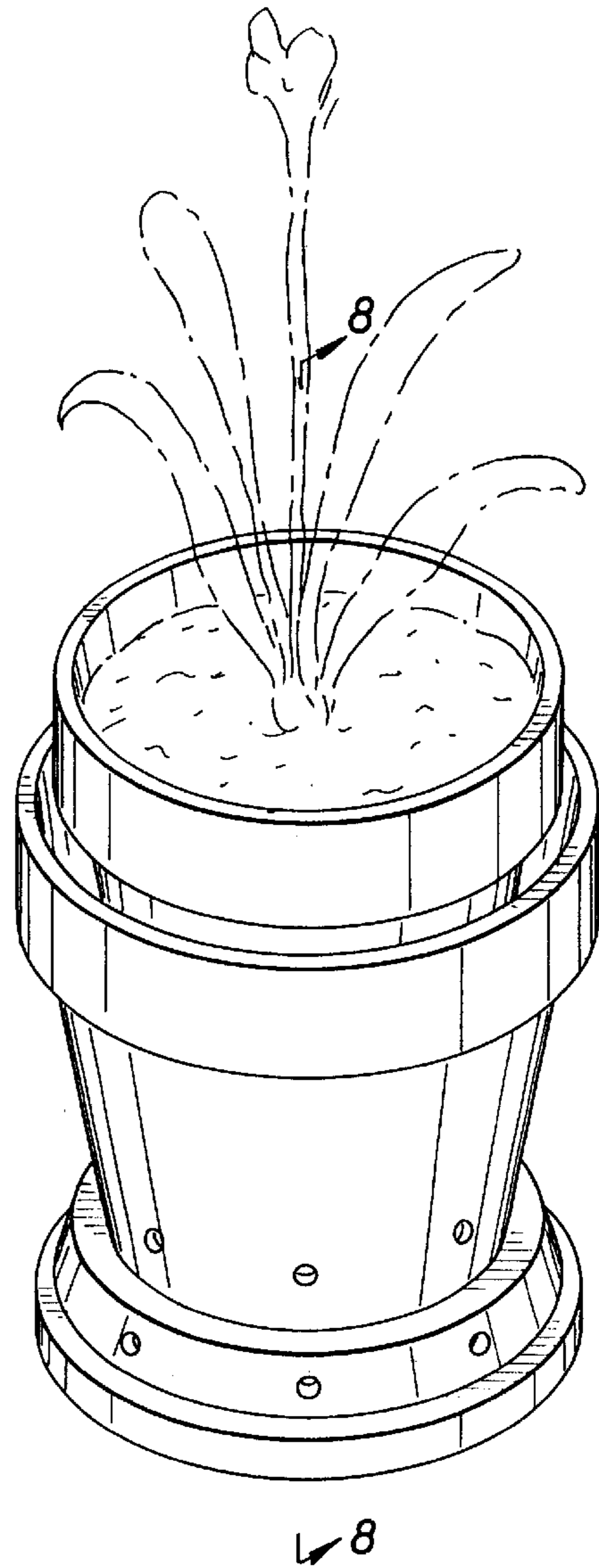


FIG. 7

FIG. 9

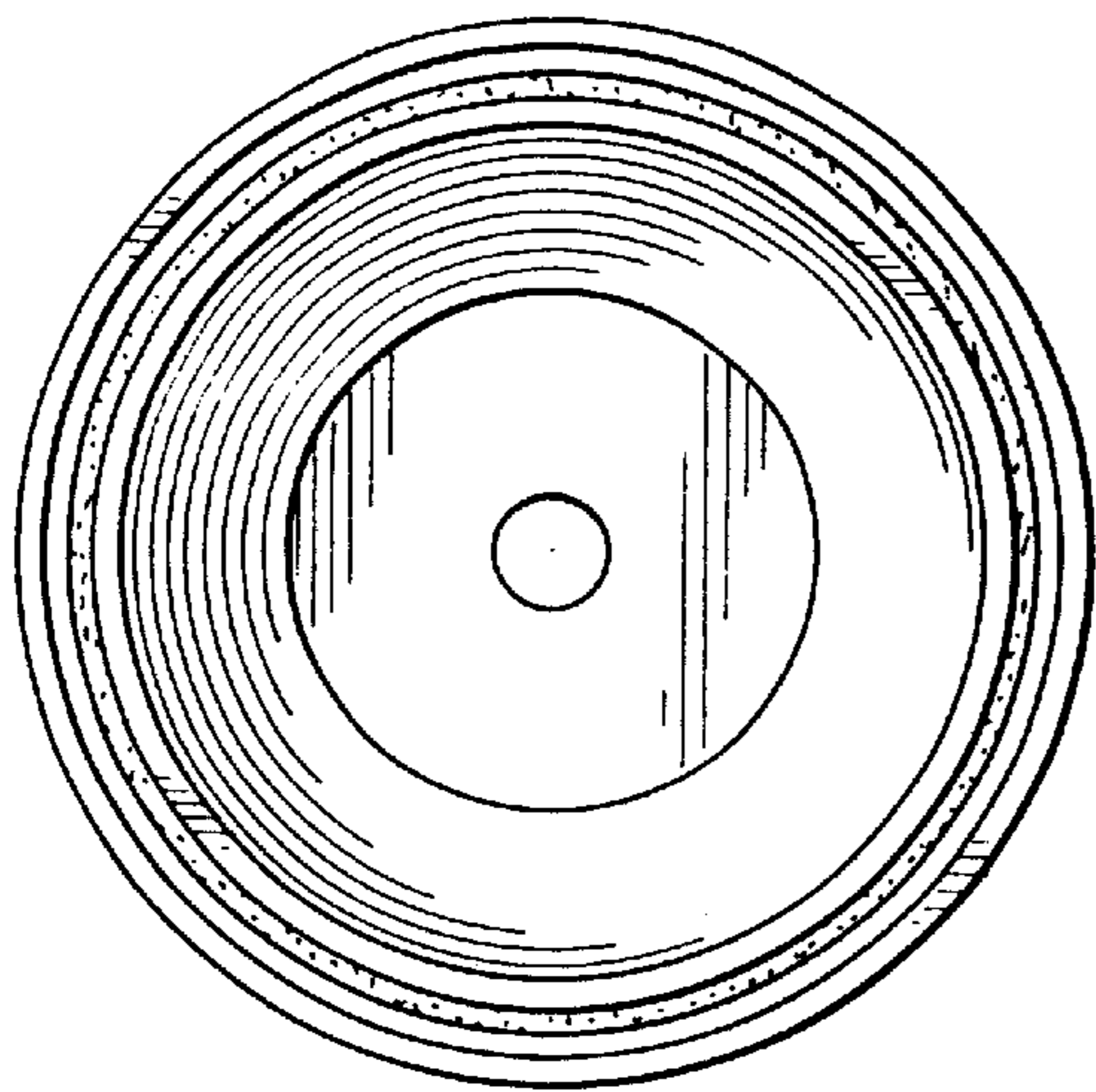


FIG. 11

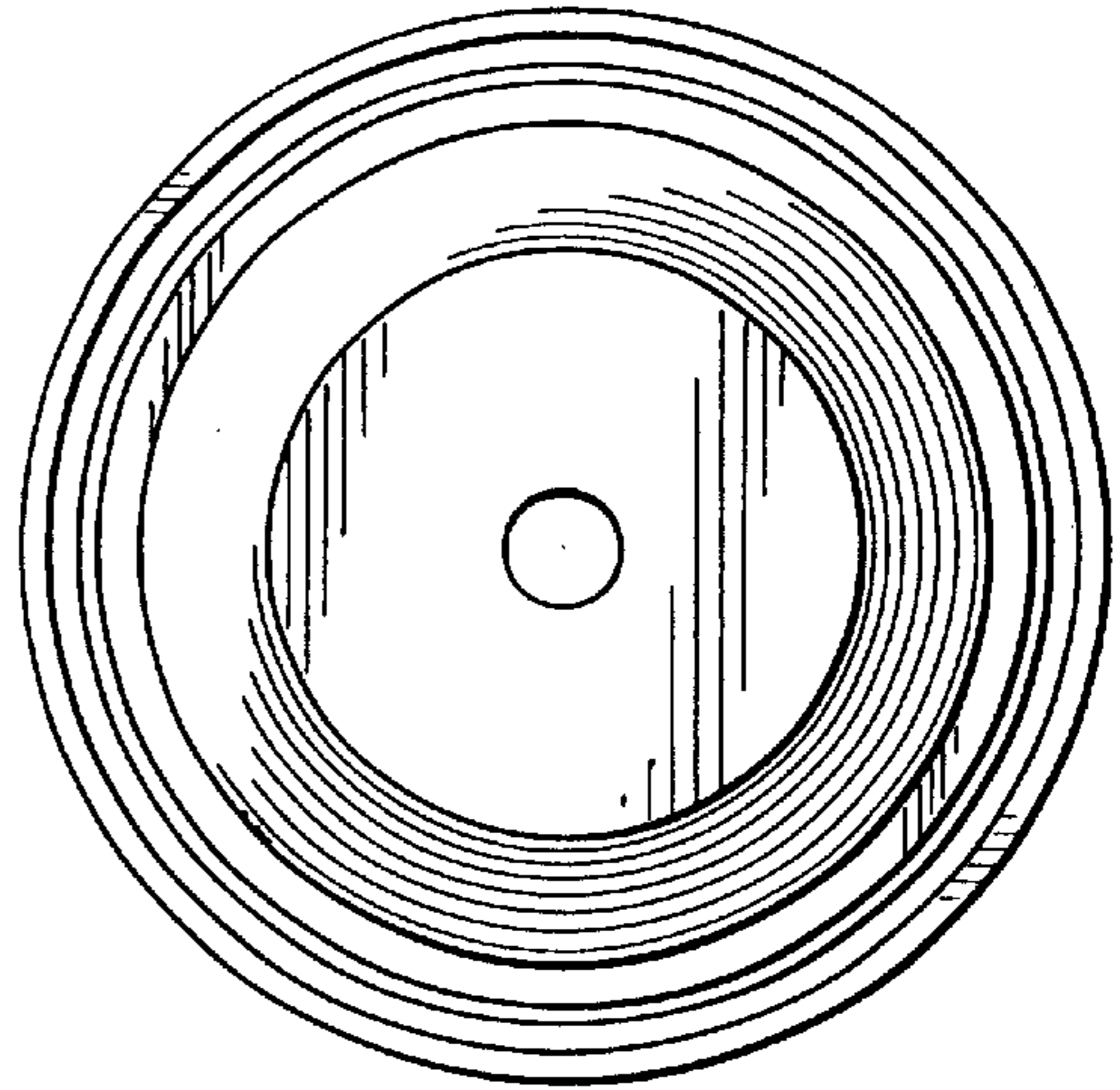


FIG. 8

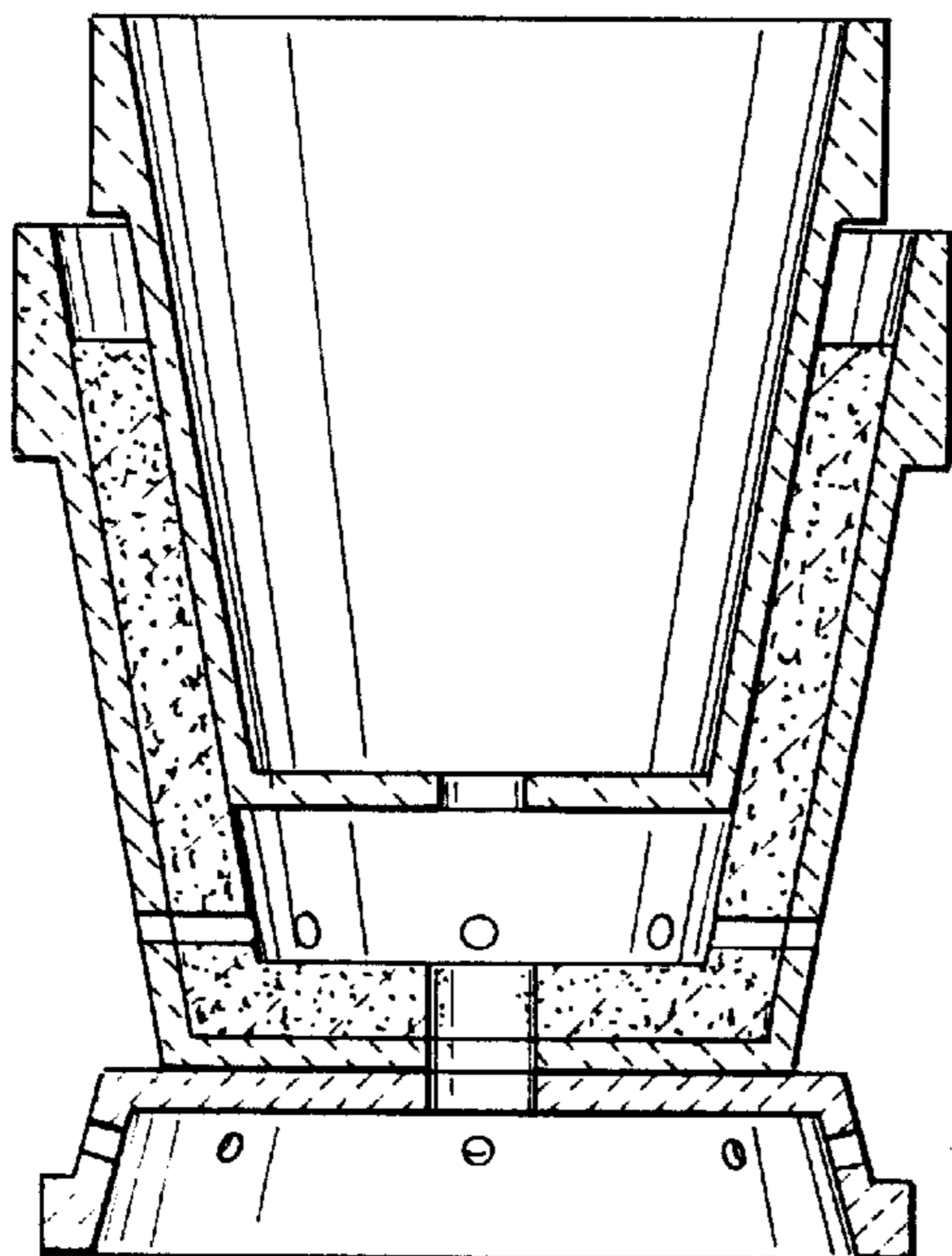


FIG. 10

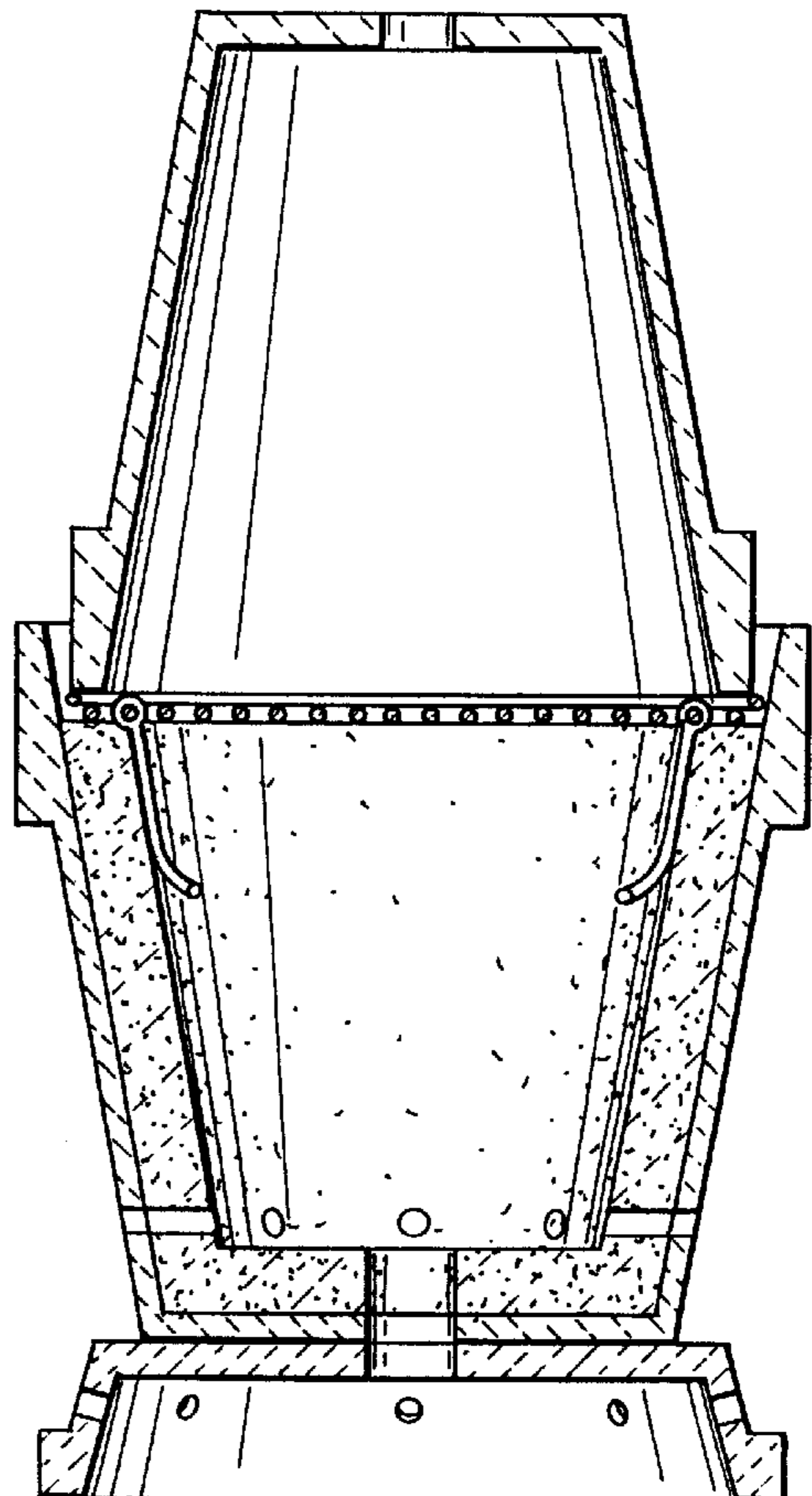


FIG. 12

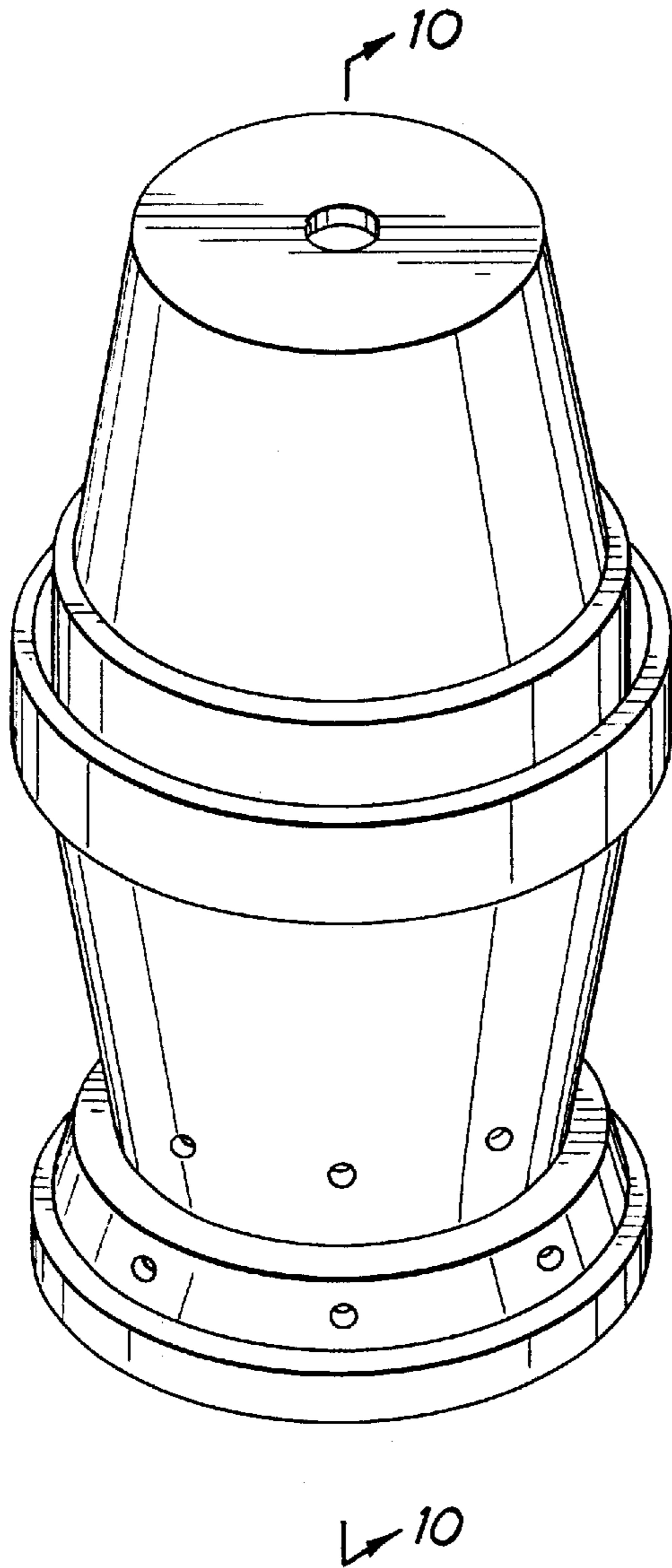


FIG. 13

